

# ENTRANCE FRAMING INDEX

## SECTION A – 400 ENTRANCE FRAMING

PAGE–A1	–	400	SERIES	INFORMATION
PAGE–A2	–	400	SERIES	FRAMING SECTIONS
PAGE–A3 TO A4	–	400	SERIES	WITH STANDARD DOOR
PAGE–A5 TO A7	–	400	SERIES	DETAILS
PAGE–A8 TO A13	–	400	SERIES	WITH 210 DOORS DETAILS
PAGE–A14 TO A16	–	400	SERIES	WITH 400 DOORS DETAILS
PAGE–A17 TO A19	–	400	SERIES	WITH 550 DOORS DETAILS

## SECTION B – 450 ENTRANCE FRAMING

PAGE–B1	–	450	SERIES	INFORMATION
PAGE–B2 TO B3	–	450	SERIES	FRAMING SECTIONS
PAGE–B4 TO B5	–	450	SERIES	WITH STANDARD DOOR
PAGE–B6 TO B7	–	450	SERIES	DETAILS
PAGE–B8 TO B9	–	450	SERIES	WITH 210 DOORS DETAILS

## SECTION C – 460 ENTRANCE FRAMING

PAGE–C1	–	460	SERIES	INFORMATION
PAGE–C2 TO C3	–	460	SERIES	FRAMING SECTIONS
PAGE–C4 TO C5	–	460	SERIES	WITH STANDARD DOOR
PAGE–C6 TO C7	–	460	SERIES	DETAILS
PAGE–C8 TO C11	–	460	SERIES	WITH 210 DOORS DETAILS

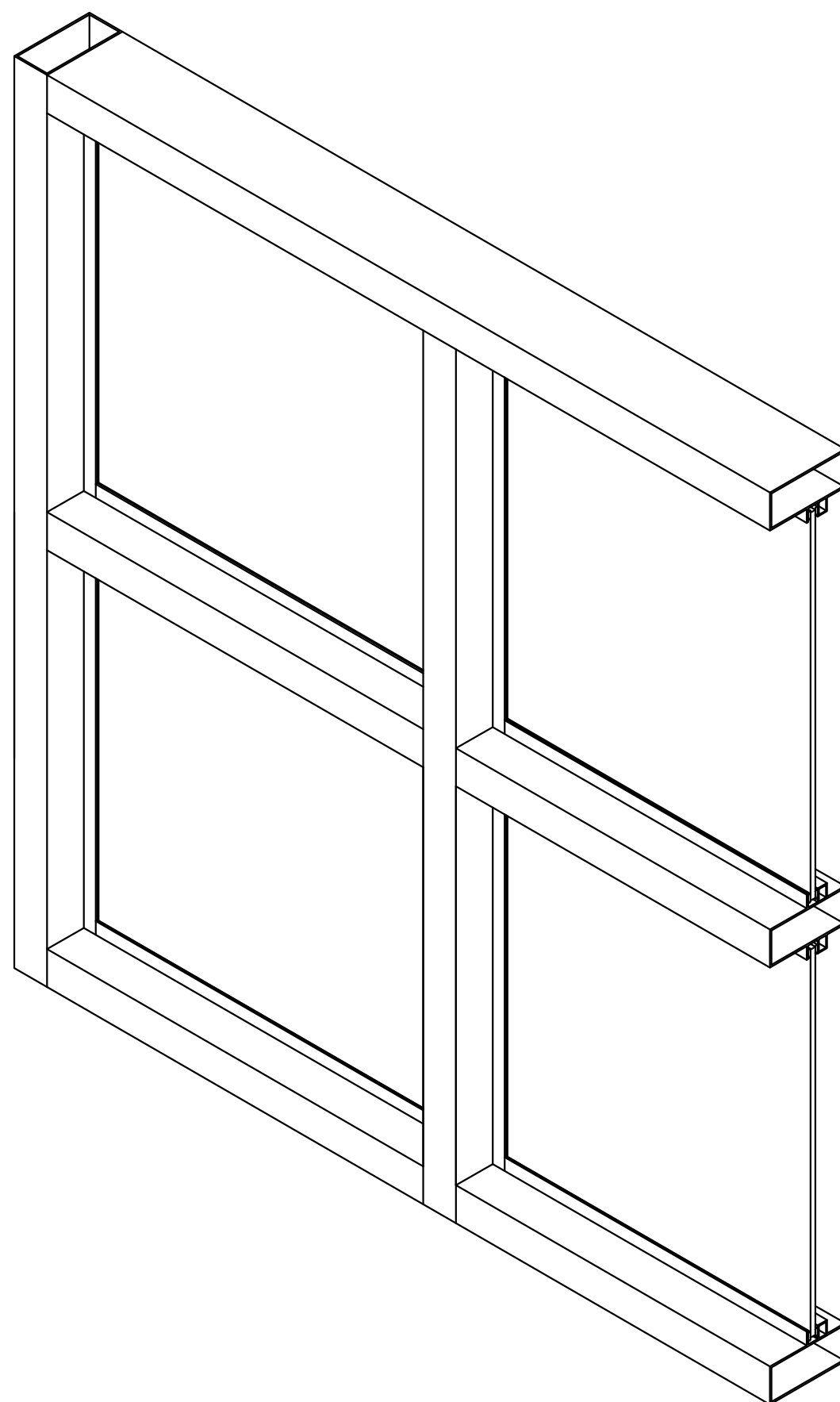


**COMMERCIAL DESIGN  
SYSTEMS INC.**

DATE: AUGUST 2014  
TEL: (905) 738-0188  
FAX: (905) 738-6132  
E-MAIL: CDS2009@BELLNET.CA

PAGE:

# 400 ENTRANCE FRAMING INFORMATION



## DESCRIPTION:

IT IS A NON-THERMALLY BROKEN SYSTEM. ENTRANCE FRAMING DIMENSIONS ARE 1  $\frac{3}{4}$ "X4" WITH A  $\frac{5}{8}$ " FIN.

## FINISH:

### STOCKED:

CLEAR ANODIZED (#17)  
STANDARD BRONZE (#40)

### NON-STOCKED\*:

CLEAR ANODIZED (#14)  
LIGHT BRONZE (#26)  
BLACK ANODIZED (#29)

\*PAINT FINISHES ARE AVAILABLE UPON REQUEST

## STOCK LENGTH:

24'(7.31M)

## GLAZING:

400 SERIES ACCEPTS 1"(25.4mm) AND  $\frac{1}{4}$ "(6mm) GLAZING UNITS



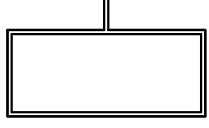






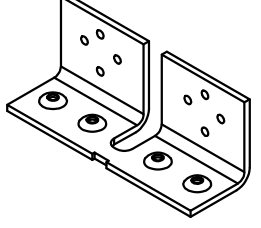



COMMERCIAL DESIGN  
SYSTEMS INC.

DATE: AUGUST 2014  
TEL: (905) 738-0188  
FAX: (905) 738-6132  
E-MAIL: CDS2009@BELLNET.CA

PAGE:

A1

# SERIES 400 ENTRANCE FRAME (WITH FABRICATION ACCESORIES)

PART	PART NO	DESCRIPTION	FINISH
	4003	1 $\frac{3}{4}$ " X 4" (44.5mm x 101.6mm) FRAME $\frac{5}{8}$ " FIN CLOSED BACK PERIMETER	STOCKED CLEAR ANODIZED(2) STANDARD BRONZED ANODIZED(3) NOT STOCKED LIGHT BRONZED ANODIZED(5) BLACK ANODIZED(6)
	4004	1 $\frac{3}{4}$ " X 4" (44.5mm x 101.6mm) FRAME $\frac{5}{8}$ " DOUBLE FIN	STOCKED CLEAR ANODIZED(2) STANDARD BRONZED ANODIZED(3) NOT STOCKED LIGHT BRONZED ANODIZED(5) BLACK ANODIZED(6)
	4005	4" X 4" SQUARE CORNER POST OR MULLION	STOCKED CLEAR ANODIZED(2) STANDARD BRONZED ANODIZED(3) NOT STOCKED LIGHT BRONZED ANODIZED(5) BLACK ANODIZED(6)
	4006	$\frac{1}{2}$ " X $\frac{5}{8}$ " CHANNEL GLASS STOP	STOCKED CLEAR ANODIZED(2) STANDARD BRONZED ANODIZED(3) NOT STOCKED LIGHT BRONZED ANODIZED(5) BLACK ANODIZED(6)
	4007	$\frac{1}{2}$ " X $\frac{5}{8}$ " ANGLE	STOCKED CLEAR ANODIZED(2) STANDARD BRONZED ANODIZED(3) NOT STOCKED LIGHT BRONZED ANODIZED(5) BLACK ANODIZED(6)
	4008	1 $\frac{3}{4}$ " X 1 $\frac{3}{4}$ " (44.5mm x 44.5mm) SQUARE TUBE	STOCKED CLEAR ANODIZED(2) STANDARD BRONZED ANODIZED(3) NOT STOCKED LIGHT BRONZED ANODIZED(5) BLACK ANODIZED(6)
	4010	1 $\frac{3}{4}$ " X 4" (44.5mm x 101.6mm) PLAIN TUBE	STOCKED CLEAR ANODIZED(2) STANDARD BRONZED ANODIZED(3) NOT STOCKED LIGHT BRONZED ANODIZED(5) BLACK ANODIZED(6)
	H4001	#80 STORE FRONT ASSEMBLY BRACKET	
	H4005	#10 X 24 X $\frac{5}{8}$ " FLAT HEAD SOCKET MACHINE	
	H4006	#6 X 1 $\frac{1}{4}$ " TECK FLAT HEAD	
	R4001	500 SERIES WEATHERSTRIPPING	



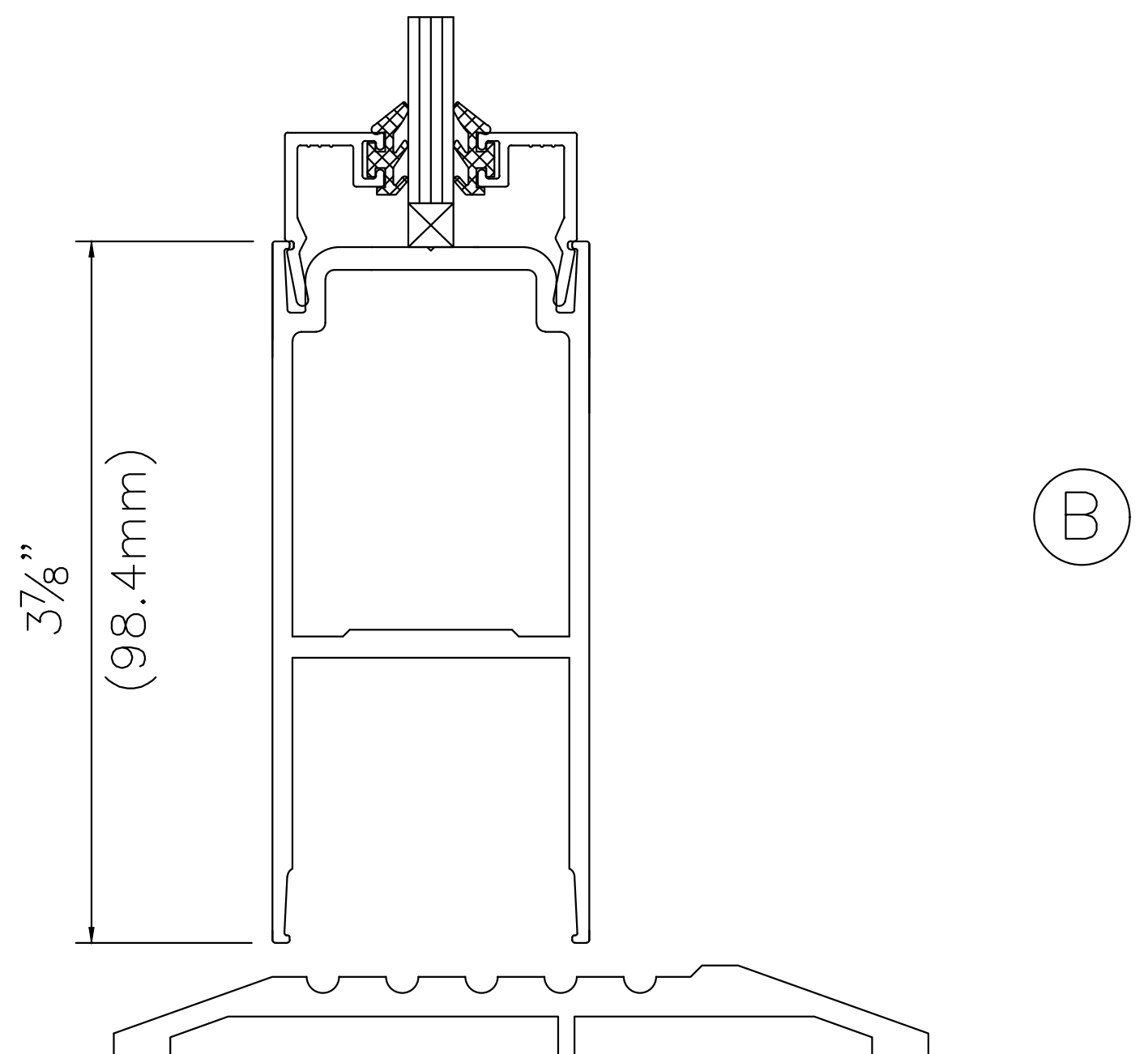
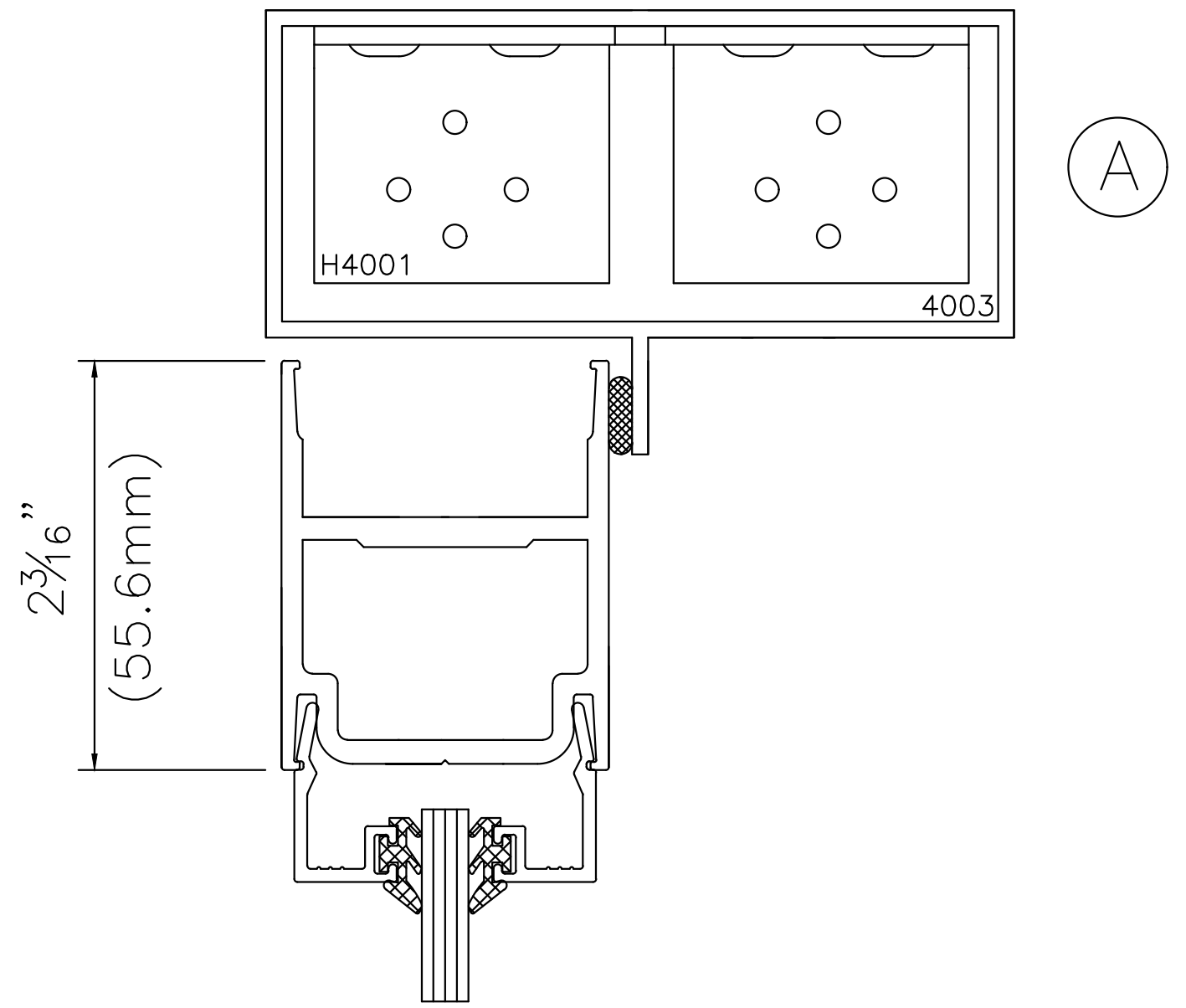
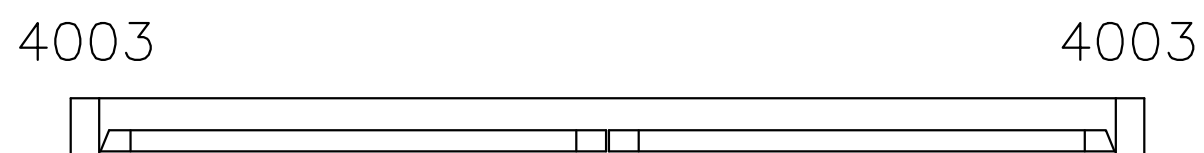
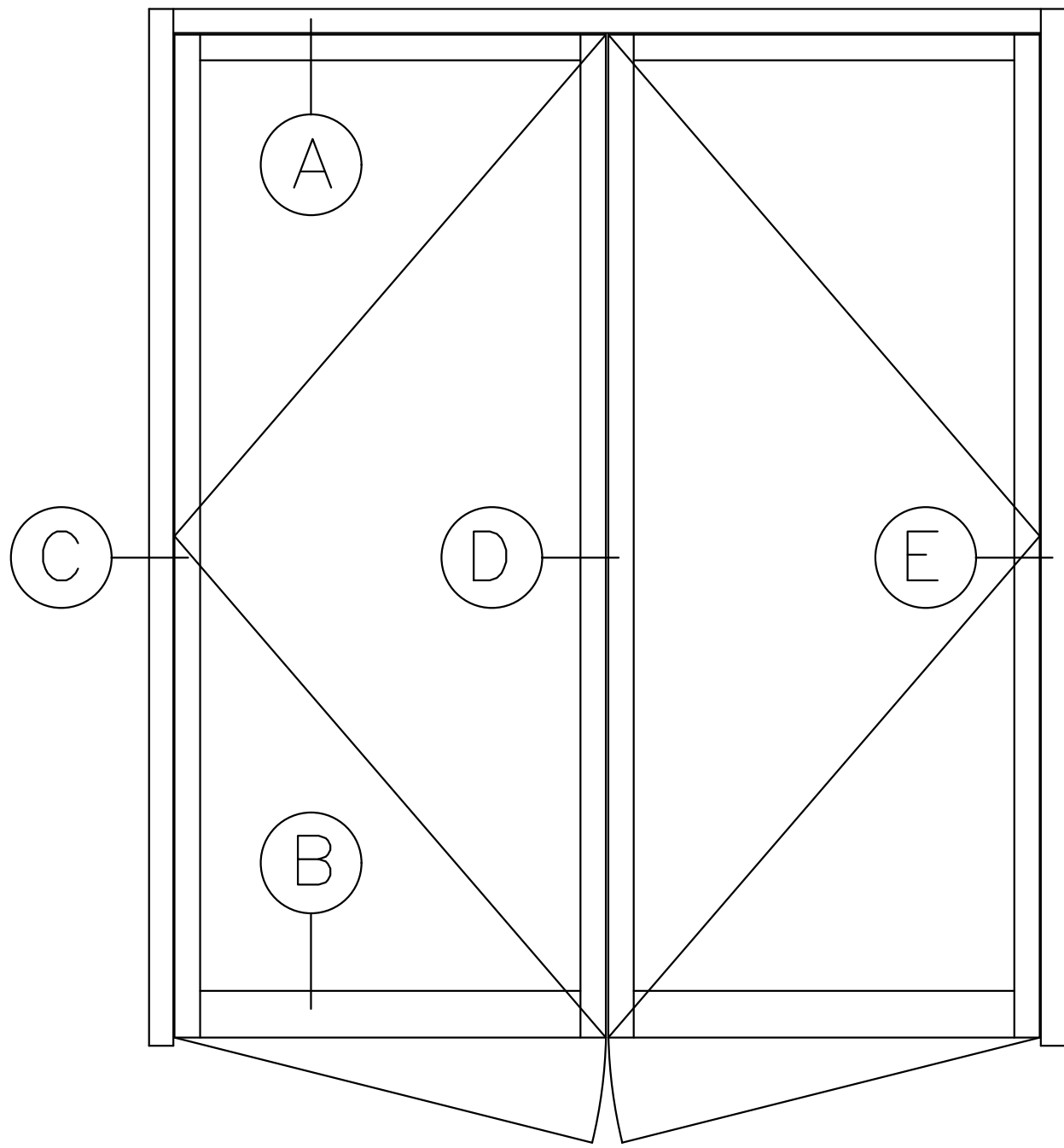
**COMMERCIAL DESIGN  
SYSTEMS INC.**

DATE: AUGUST 2014  
 TEL: (905) 738-0188  
 FAX: (905) 738-6132  
 E-MAIL: CDS2009@BELLNET.CA

PAGE:

A2

# 400 ENTRANCE FRAMING (1 $\frac{3}{4}$ " X 4") WITH STANDARD DOOR



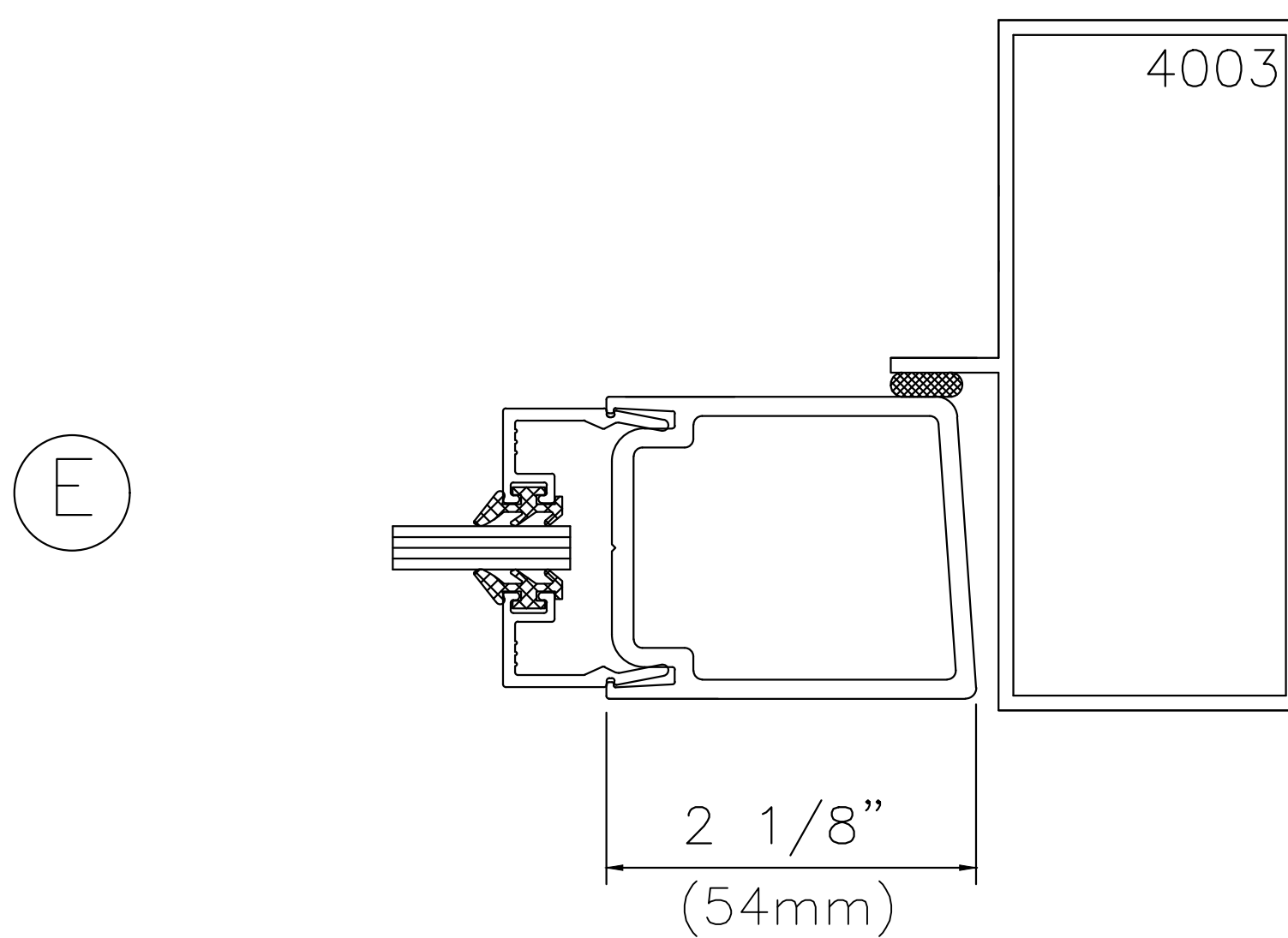
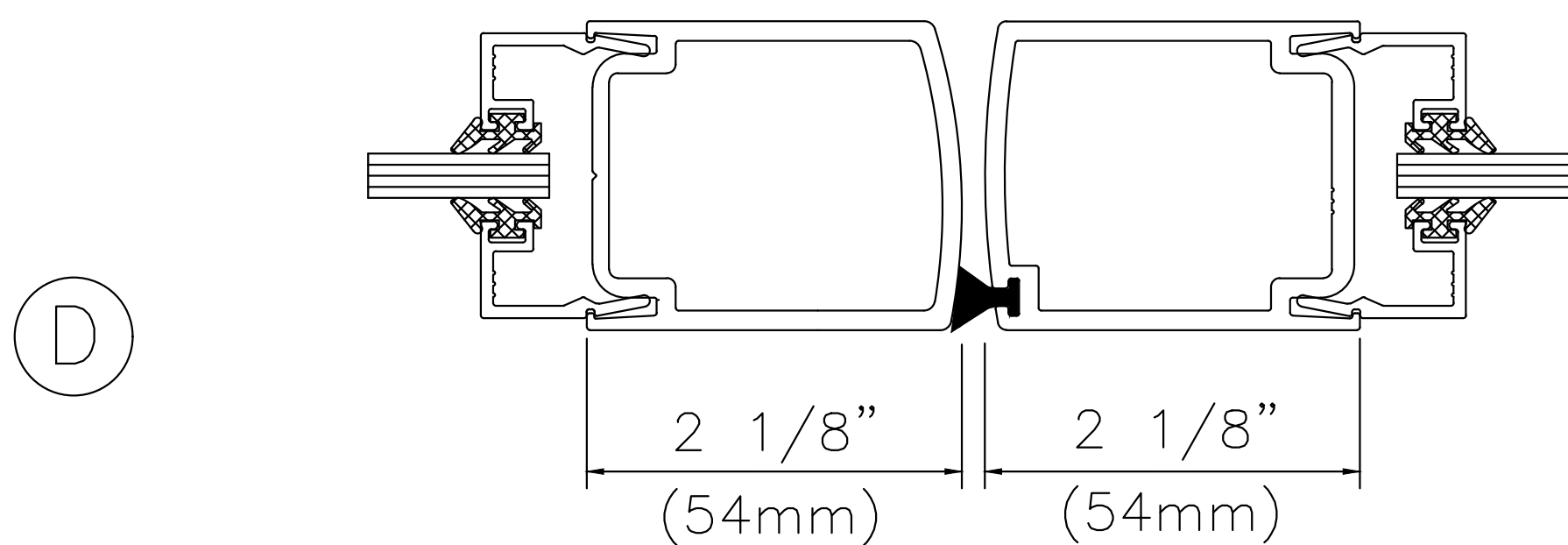
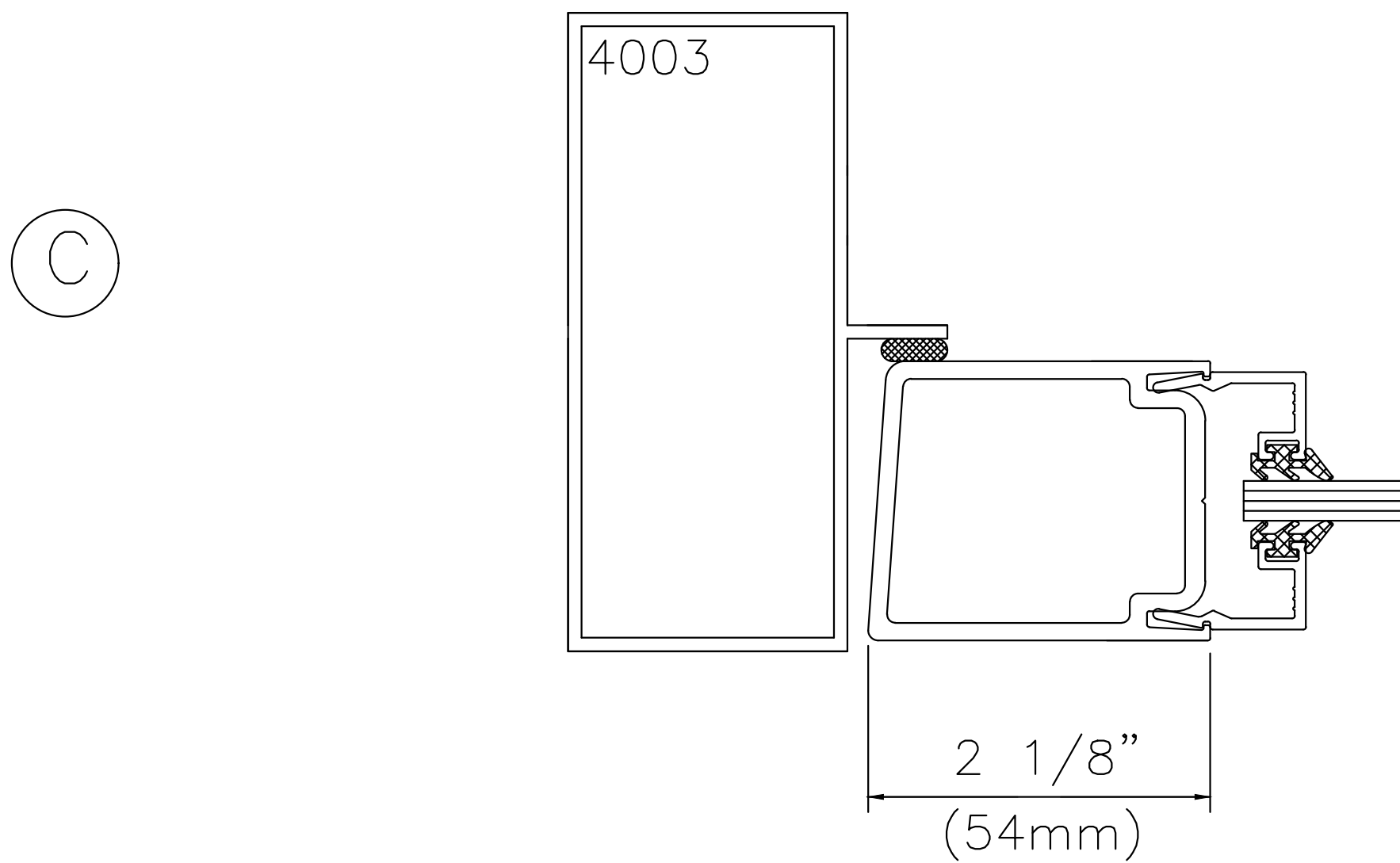
**COMMERCIAL DESIGN  
SYSTEMS INC.**

DATE: AUGUST 2014  
 TEL: (905) 738-0188  
 FAX: (905) 738-6132  
 E-MAIL: CDS2009@BELLNET.CA

PAGE:

A3

# 400 ENTRANCE FRAMING (1 3/4" X 4") WITH STANDARD DOOR



COMMERCIAL DESIGN  
SYSTEMS INC.

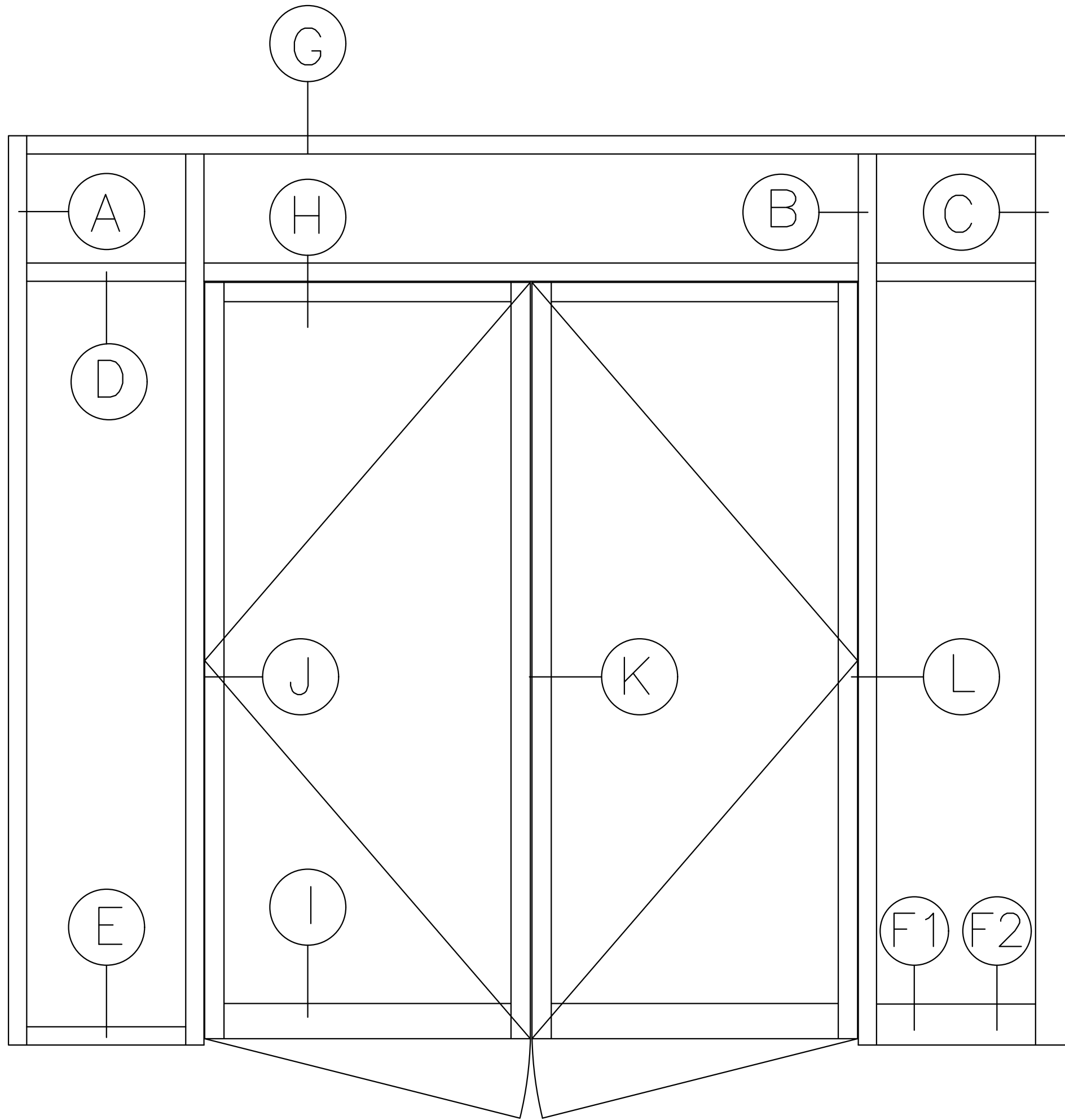
DATE: AUGUST 2014  
TEL: (905) 738-0188  
FAX: (905) 738-6132  
E-MAIL: CDS2009@BELLNET.CA

PAGE:

A4

# 400 ENTRANCE FRAMING

(1 $\frac{3}{4}$ " X 4")



COMMERCIAL DESIGN  
SYSTEMS INC.

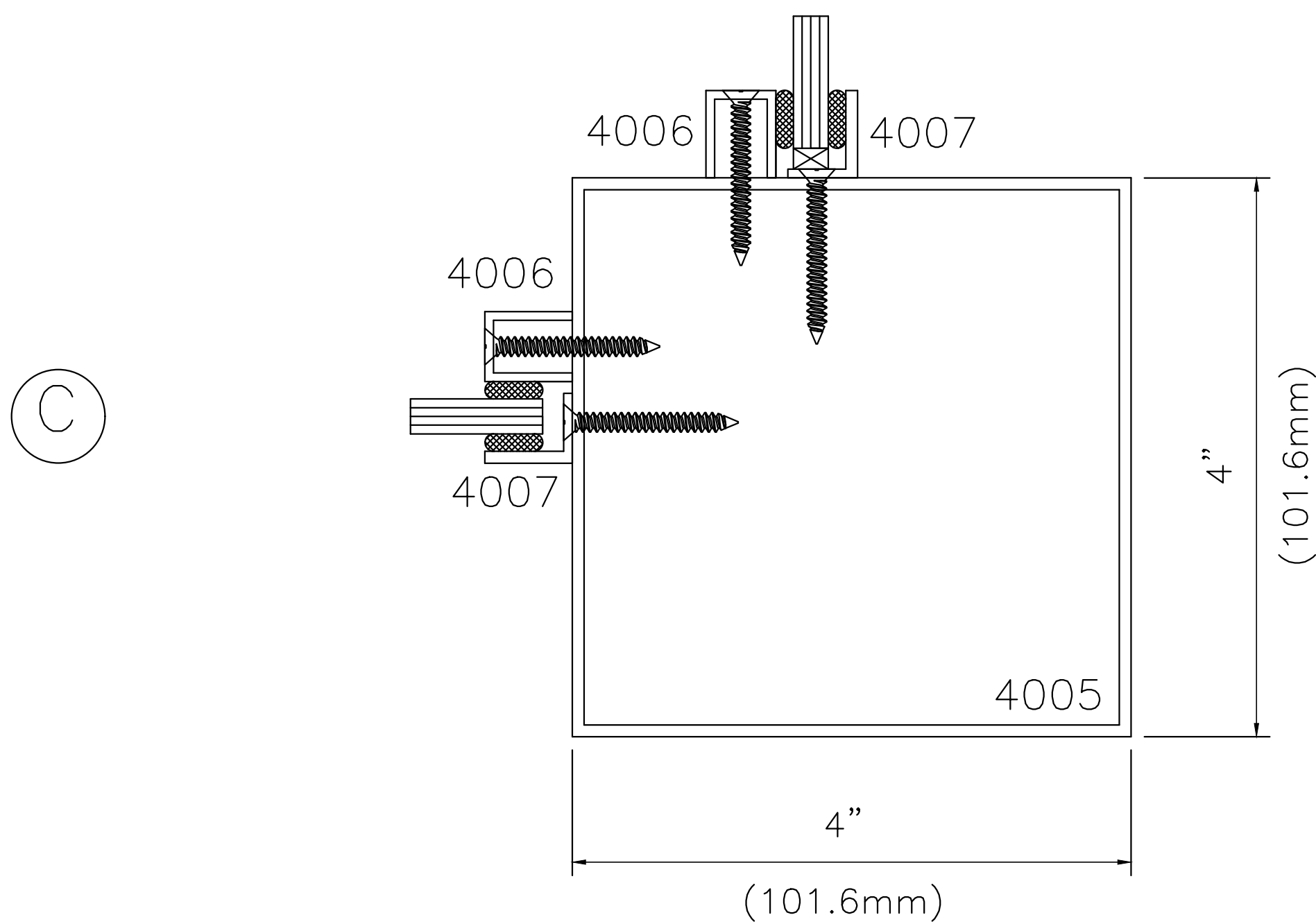
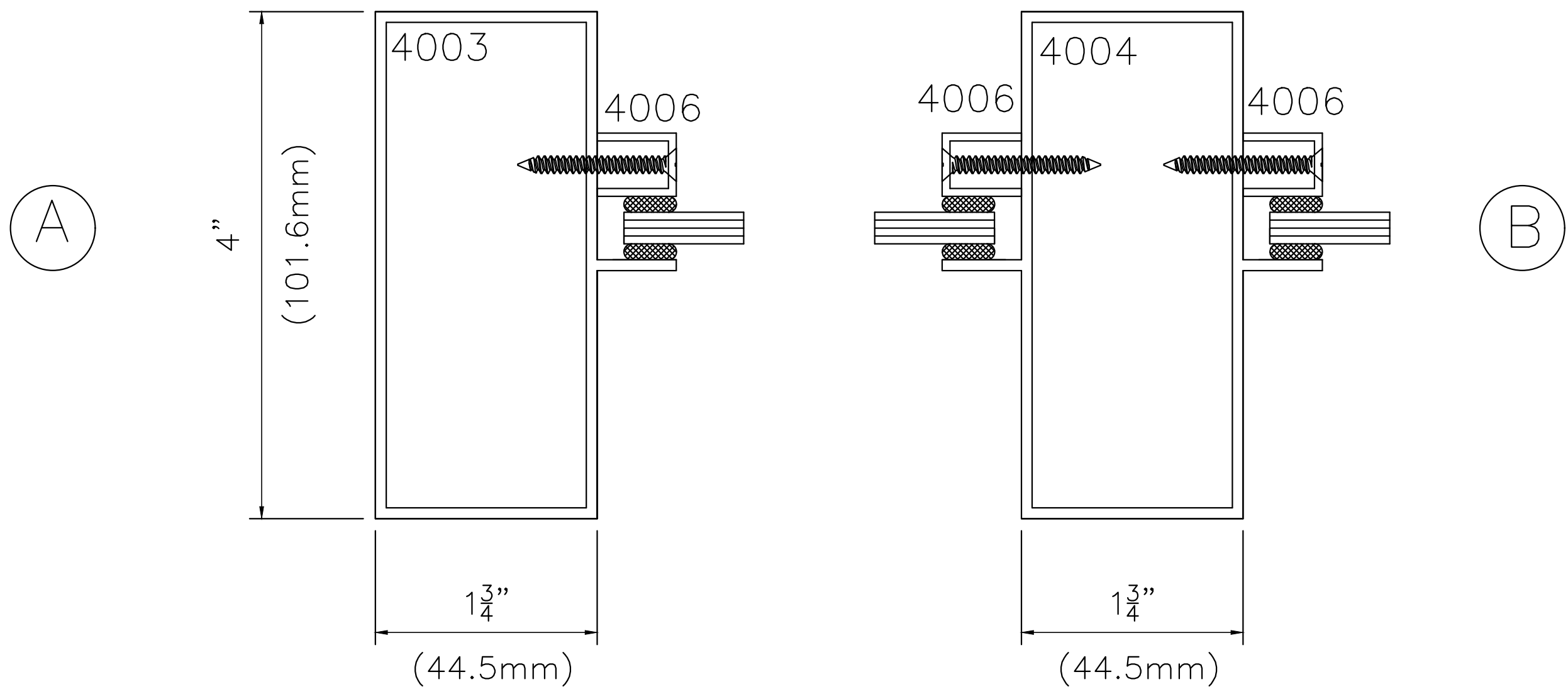
DATE: AUGUST 2014  
TEL: (905) 738-0188  
FAX: (905) 738-6132  
E-MAIL: CDS2009@BELLNET.CA

PAGE:  
A5



# 400 ENTRANCE FRAMING

(1 $\frac{3}{4}$ " X 4")

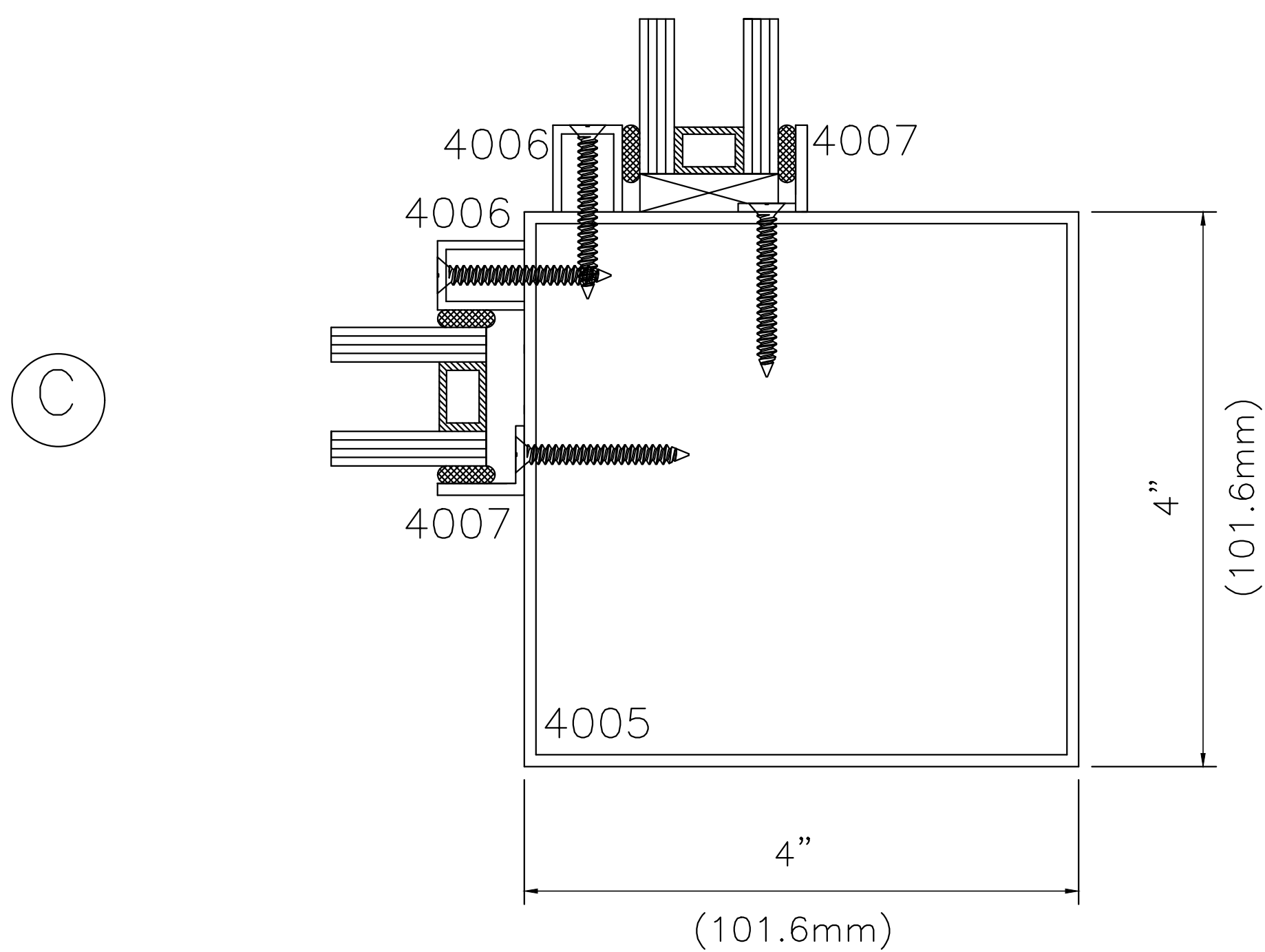
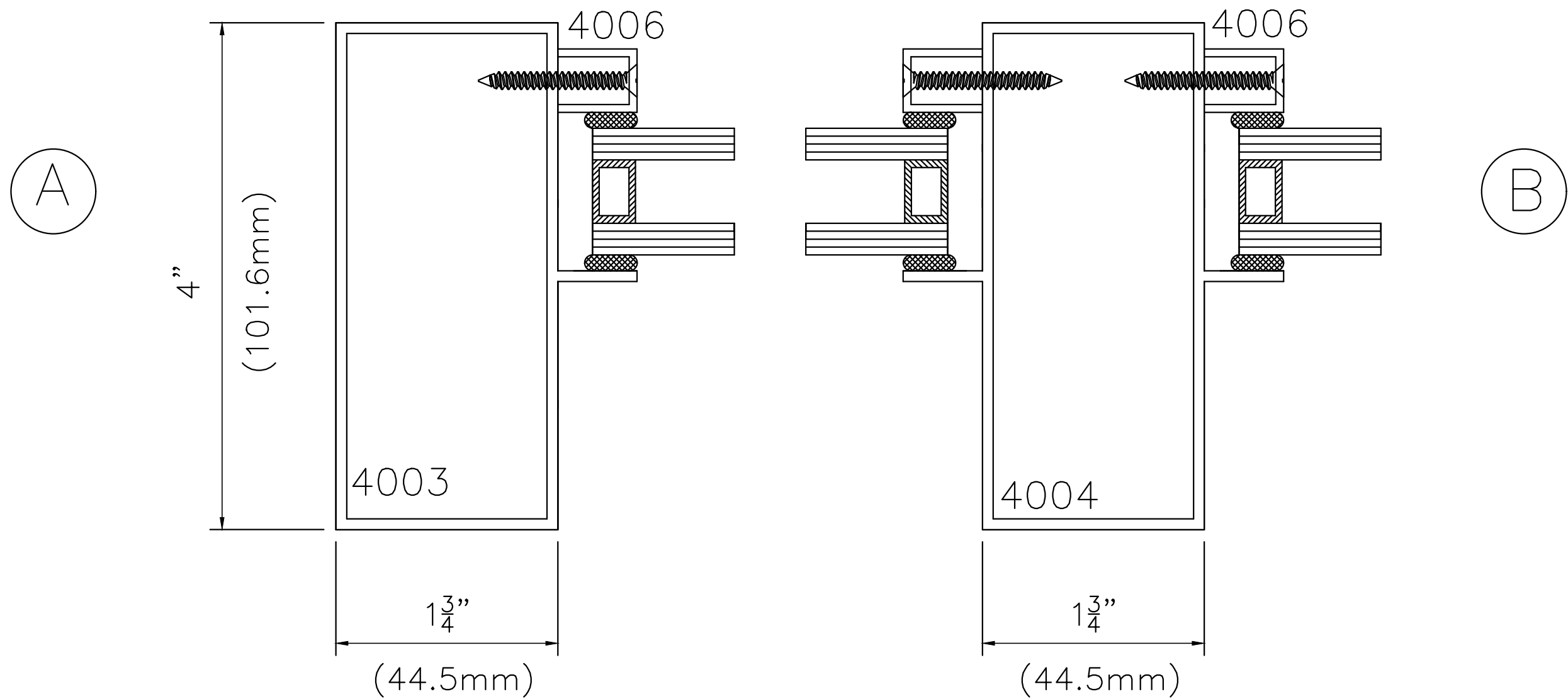


COMMERCIAL DESIGN  
SYSTEMS INC.

DATE: AUGUST 2014  
TEL: (905) 738-0188  
FAX: (905) 738-6132  
E-MAIL: CDS2009@BELLNET.CA

PAGE:  
A6

# 400 ENTRANCE FRAMING (1 $\frac{3}{4}$ " X 4") WITH 1" GLAZING



COMMERCIAL DESIGN  
SYSTEMS INC.

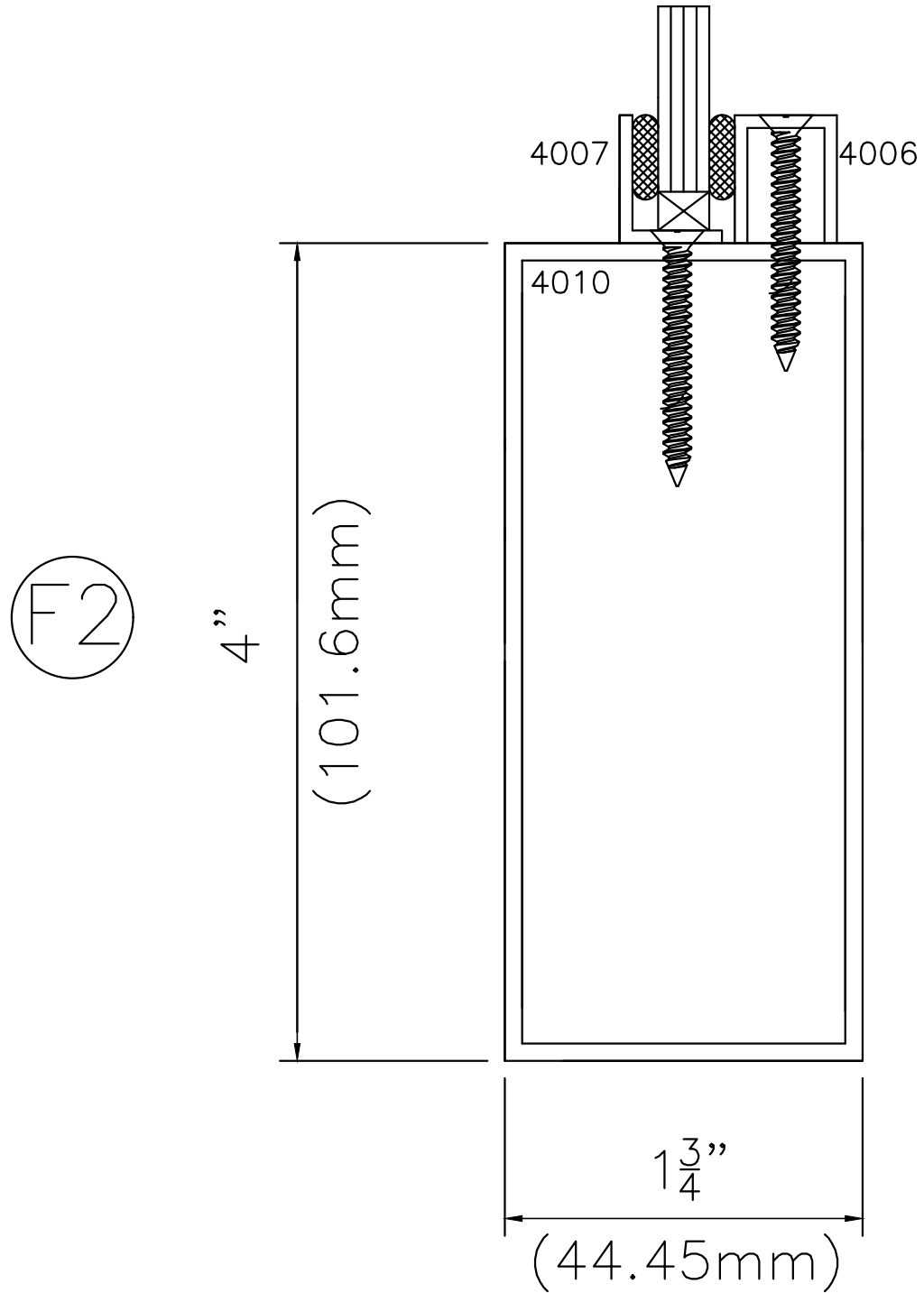
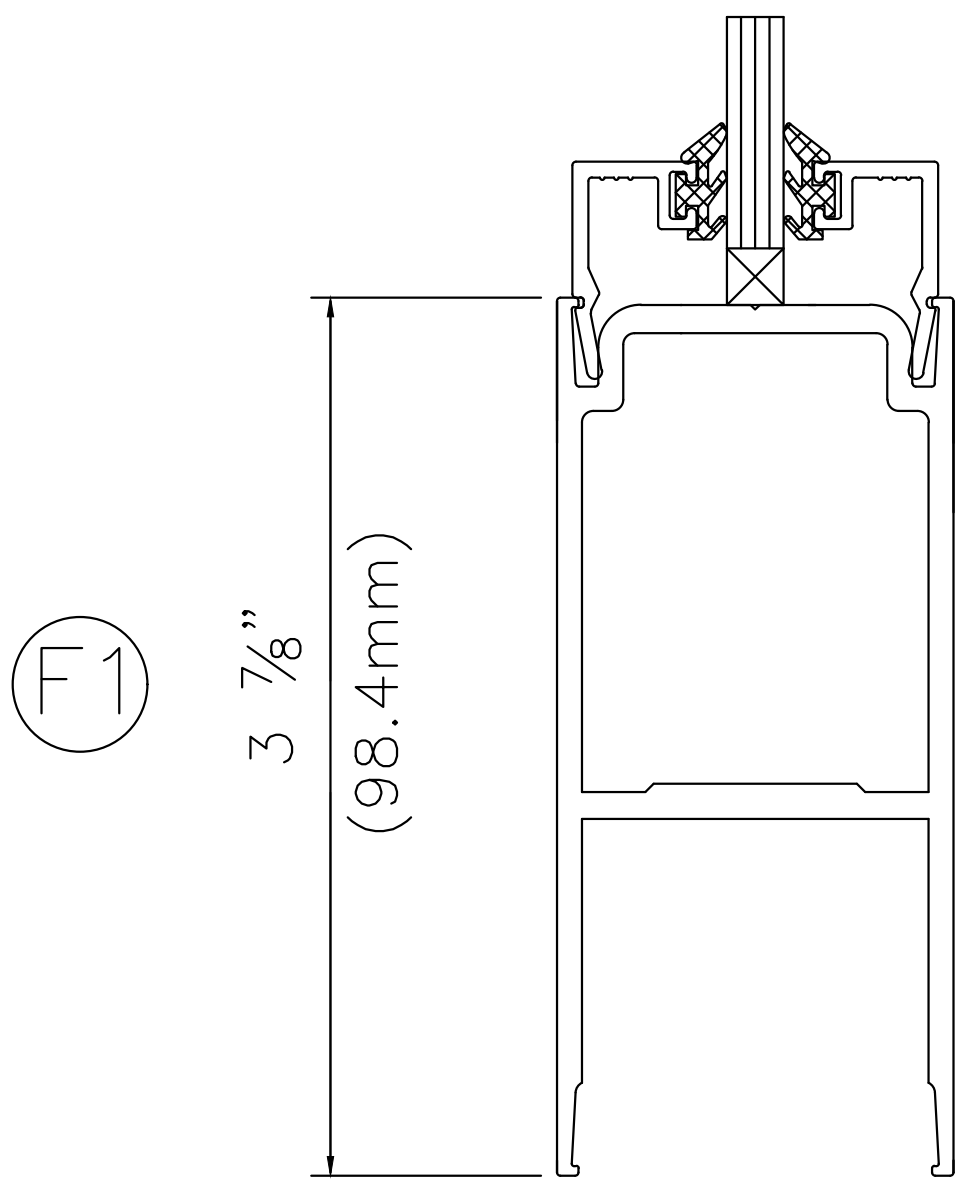
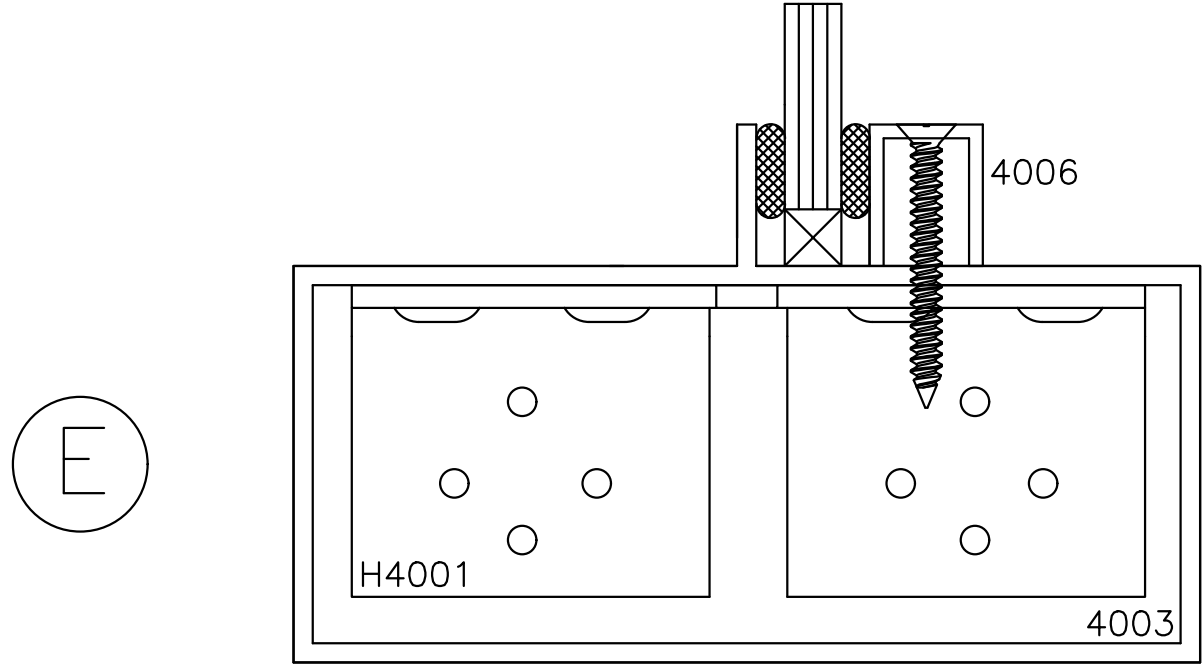
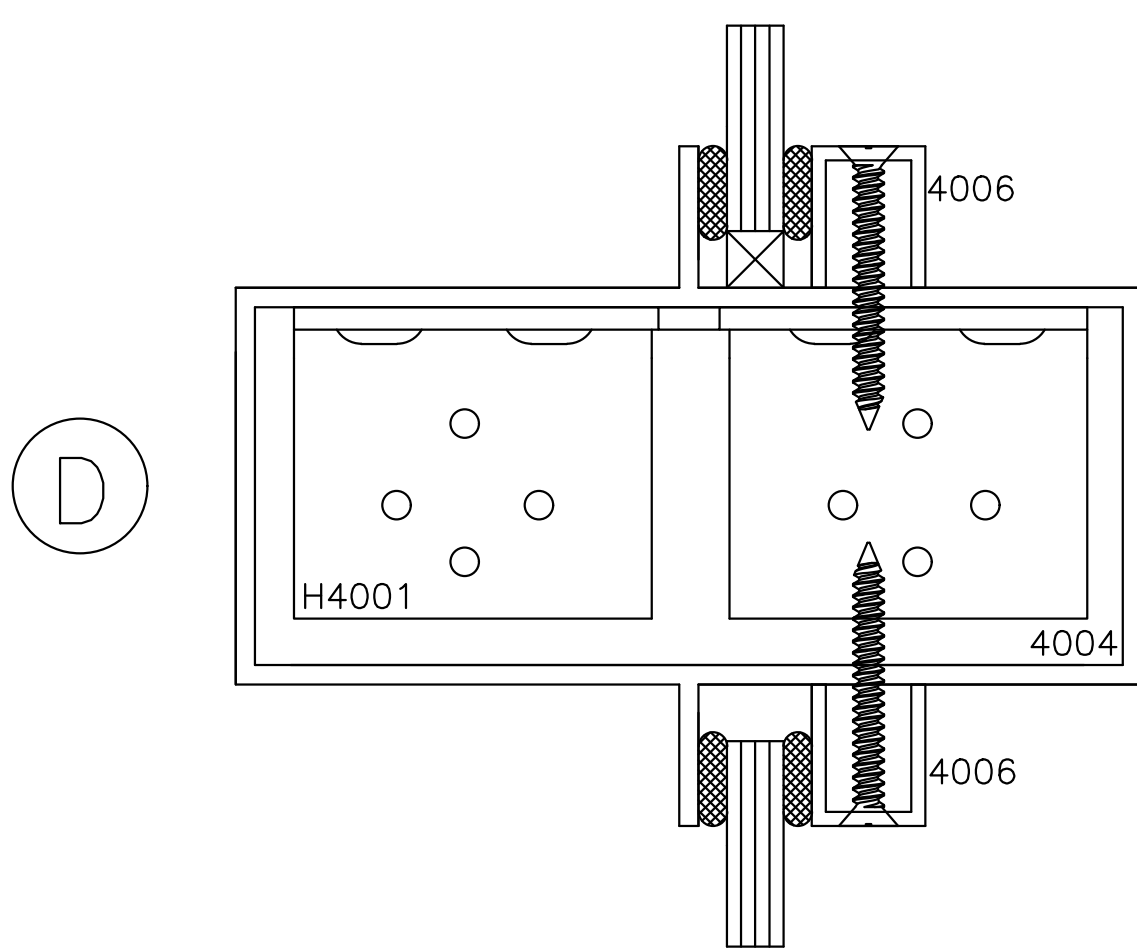
DATE: AUGUST 2014  
TEL: (905) 738-0188  
FAX: (905) 738-6132  
E-MAIL: CDS2009@BELLNET.CA

PAGE:

A7



# 400 ENTRANCE FRAMING 210 DOOR

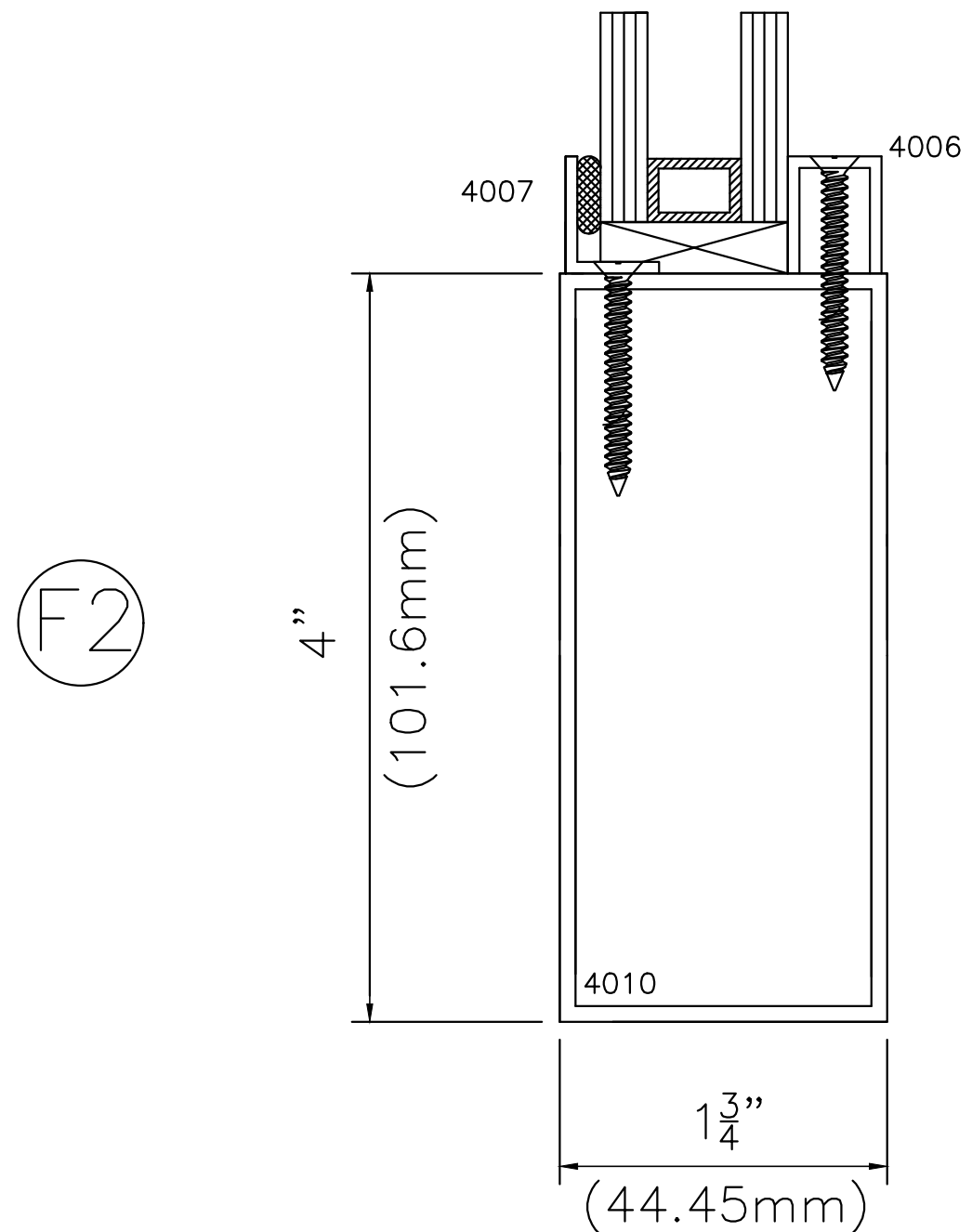
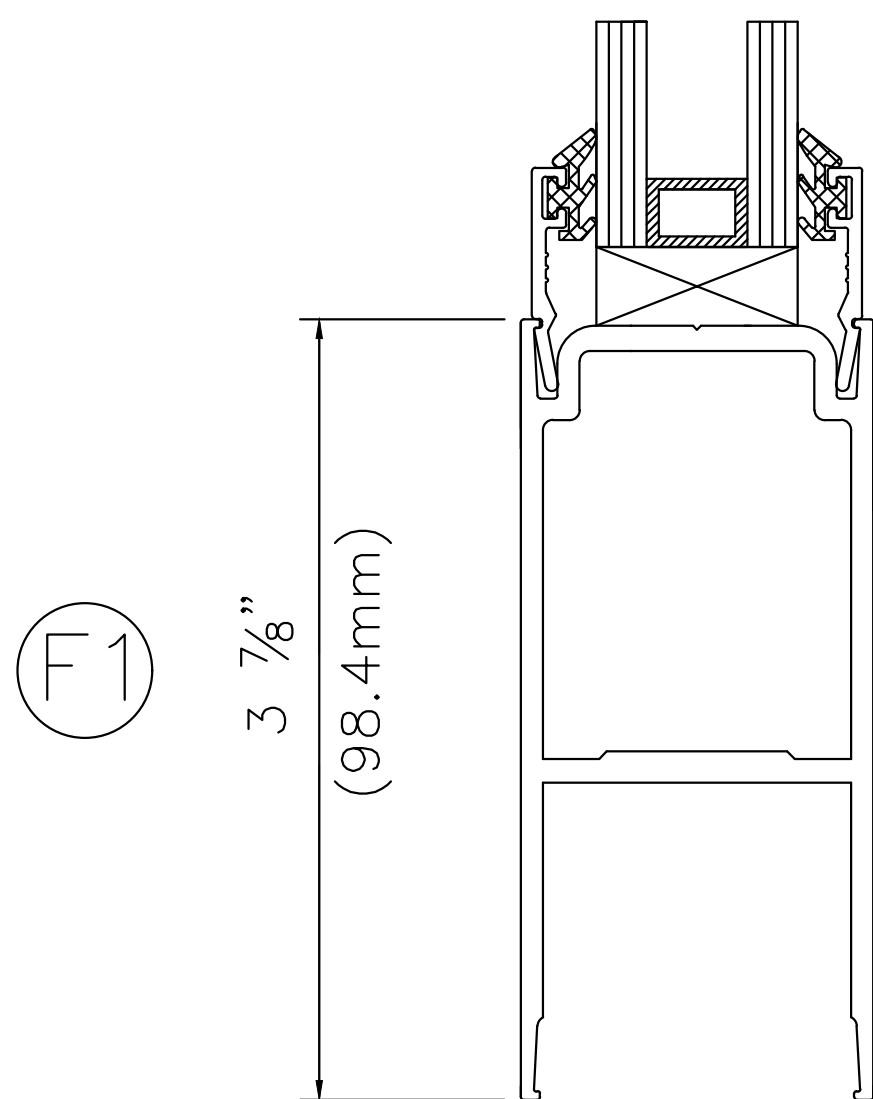
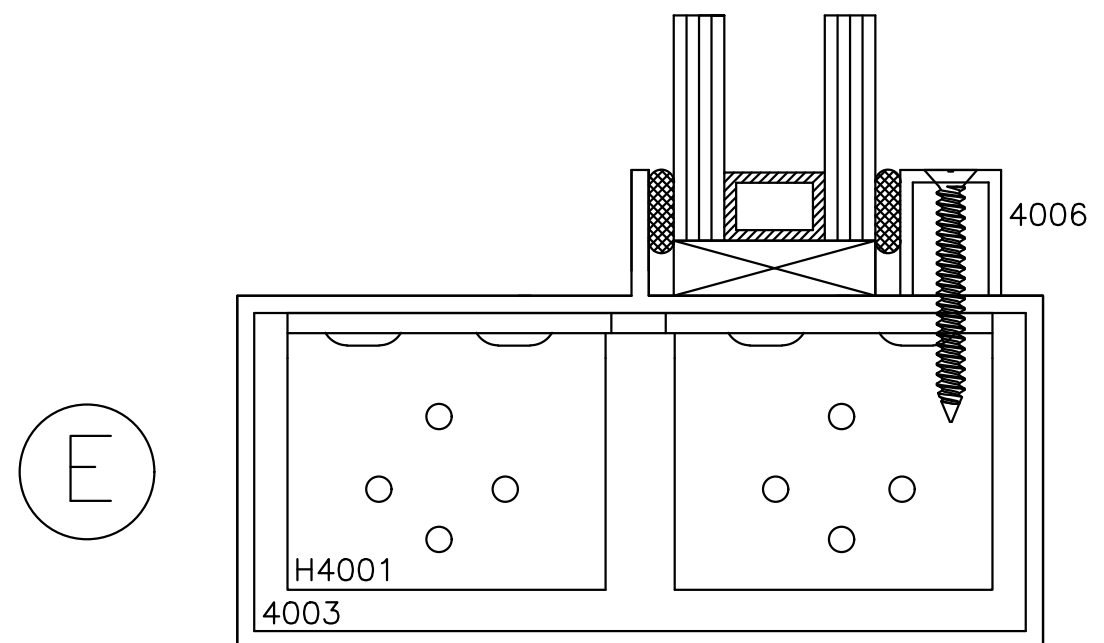
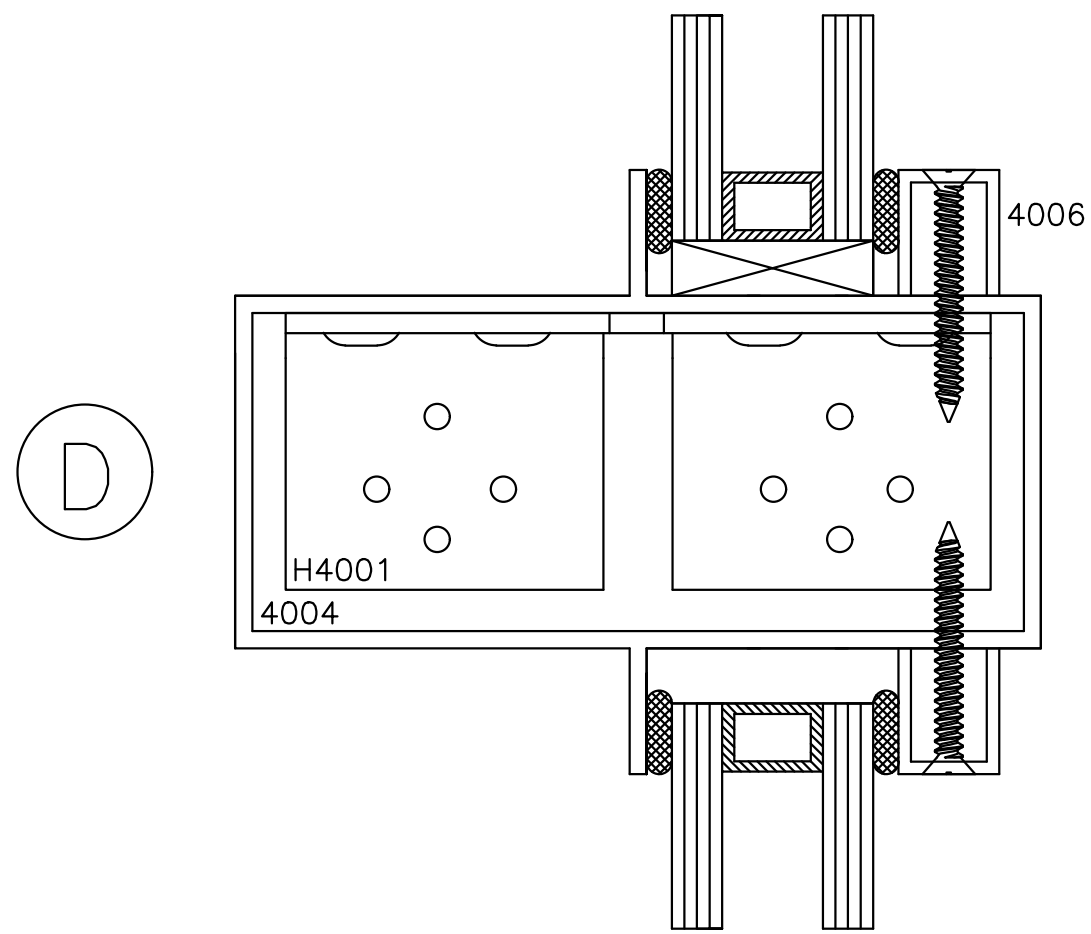


**COMMERCIAL DESIGN  
SYSTEMS INC.**

DATE: AUGUST 2014  
 TEL: (905) 738-0188  
 FAX: (905) 738-6132  
 E-MAIL: CDS2009@BELLNET.CA

PAGE:  
 A8

# 400 ENTRANCE FRAMING 210 DOOR WITH 1" GLAZING

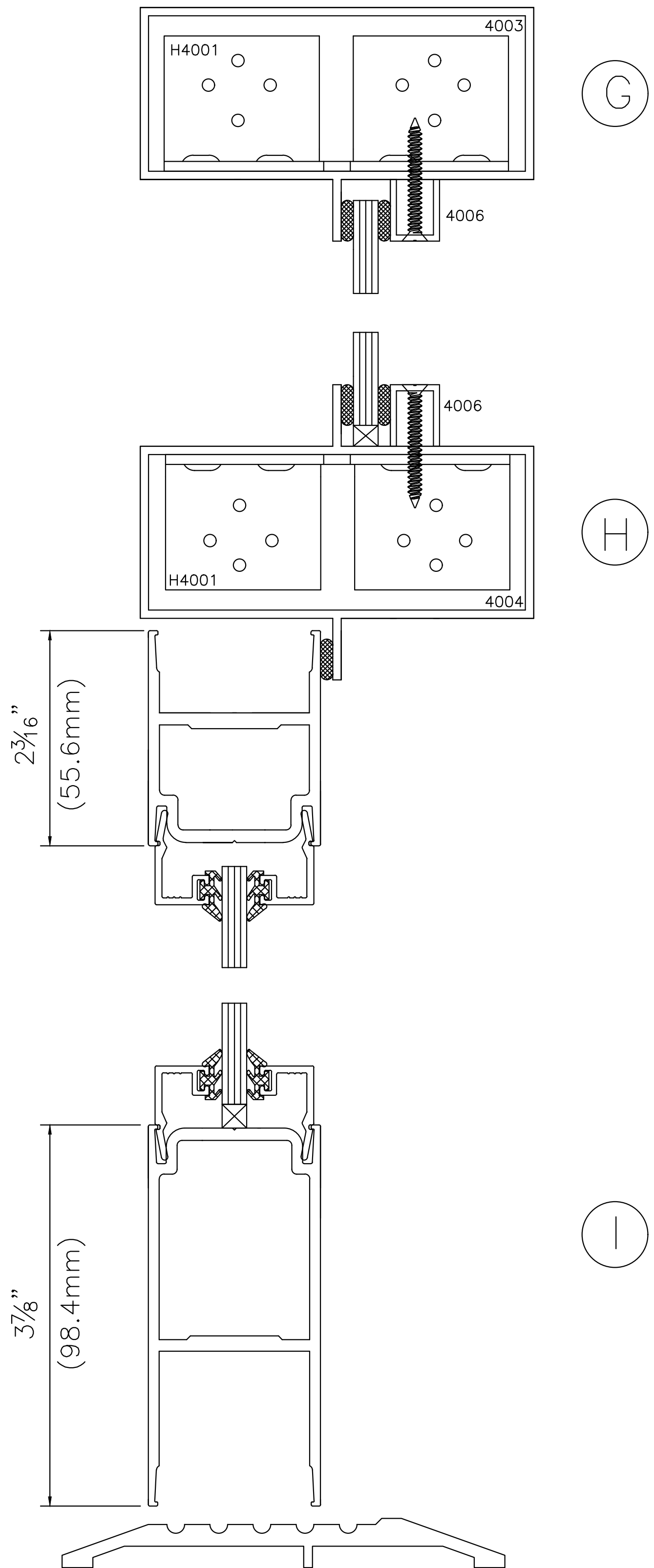


**COMMERCIAL DESIGN  
SYSTEMS INC.**

DATE: AUGUST 2014  
 TEL: (905) 738-0188  
 FAX: (905) 738-6132  
 E-MAIL: CDS2009@BELLNET.CA

PAGE:  
**A9**

# 400 ENTRANCE FRAMING 210 DOOR

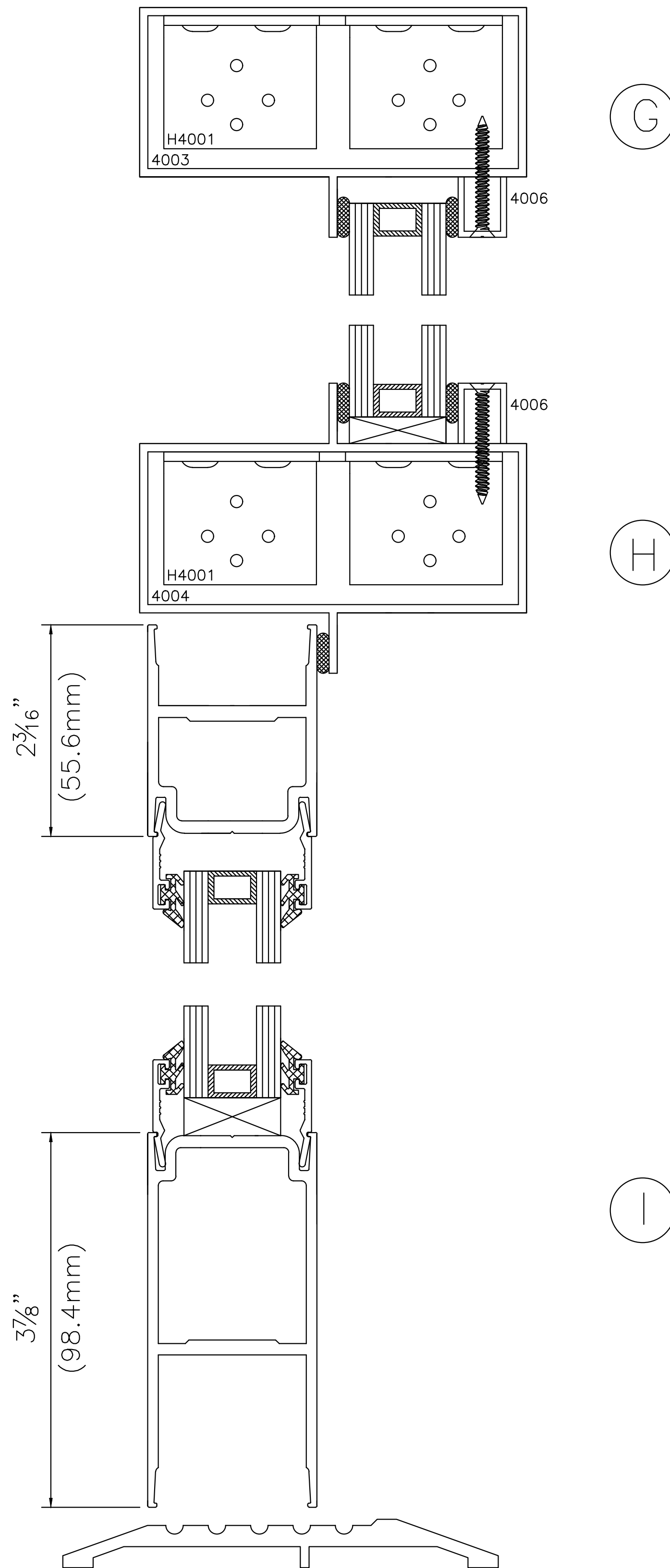


COMMERCIAL DESIGN  
SYSTEMS INC.

DATE: AUGUST 2014  
TEL: (905) 738-0188  
FAX: (905) 738-6132  
E-MAIL: CDS2009@BELLNET.CA

PAGE:  
A10

# 400 ENTRANCE FRAMING 210 DOOR WITH 1" GLAZING

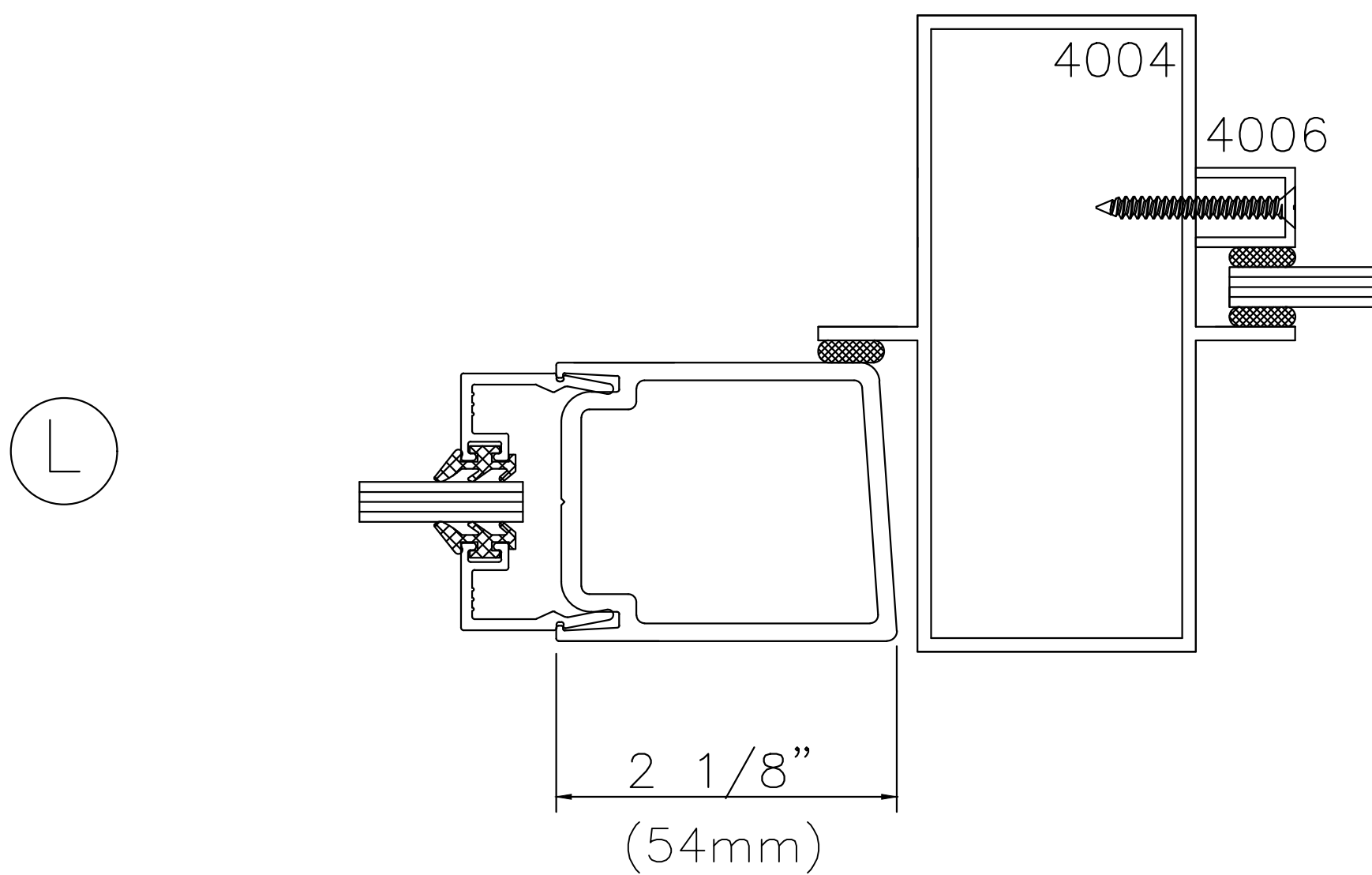
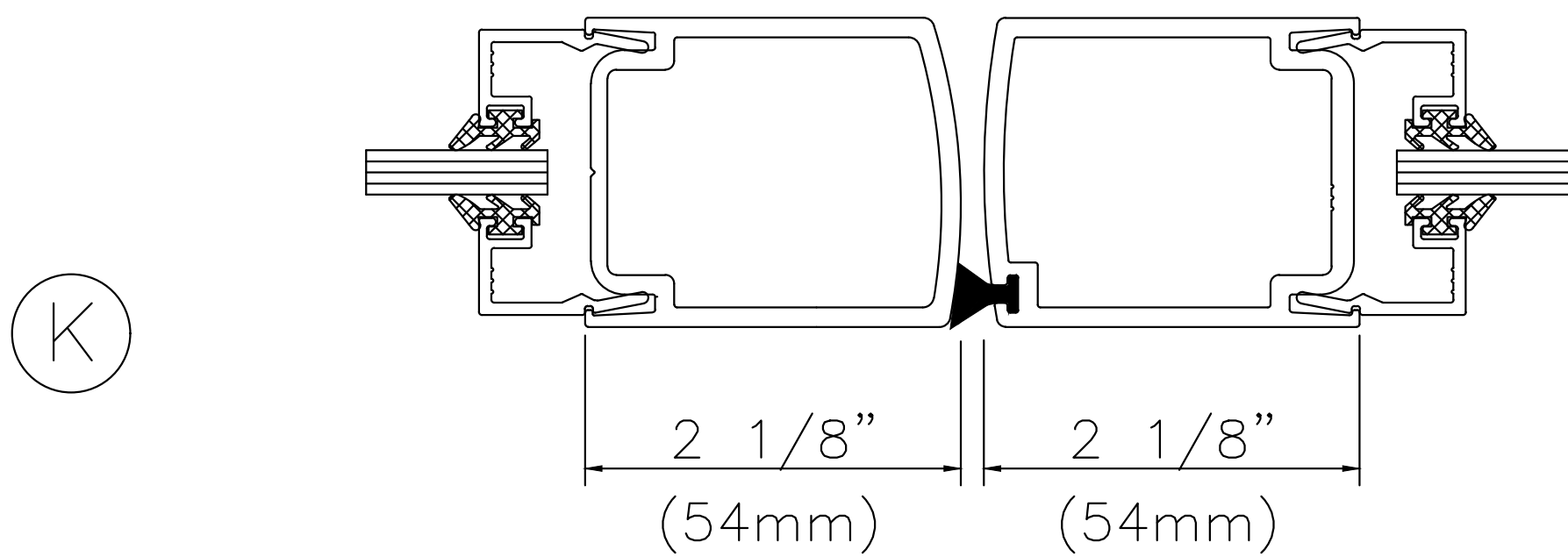
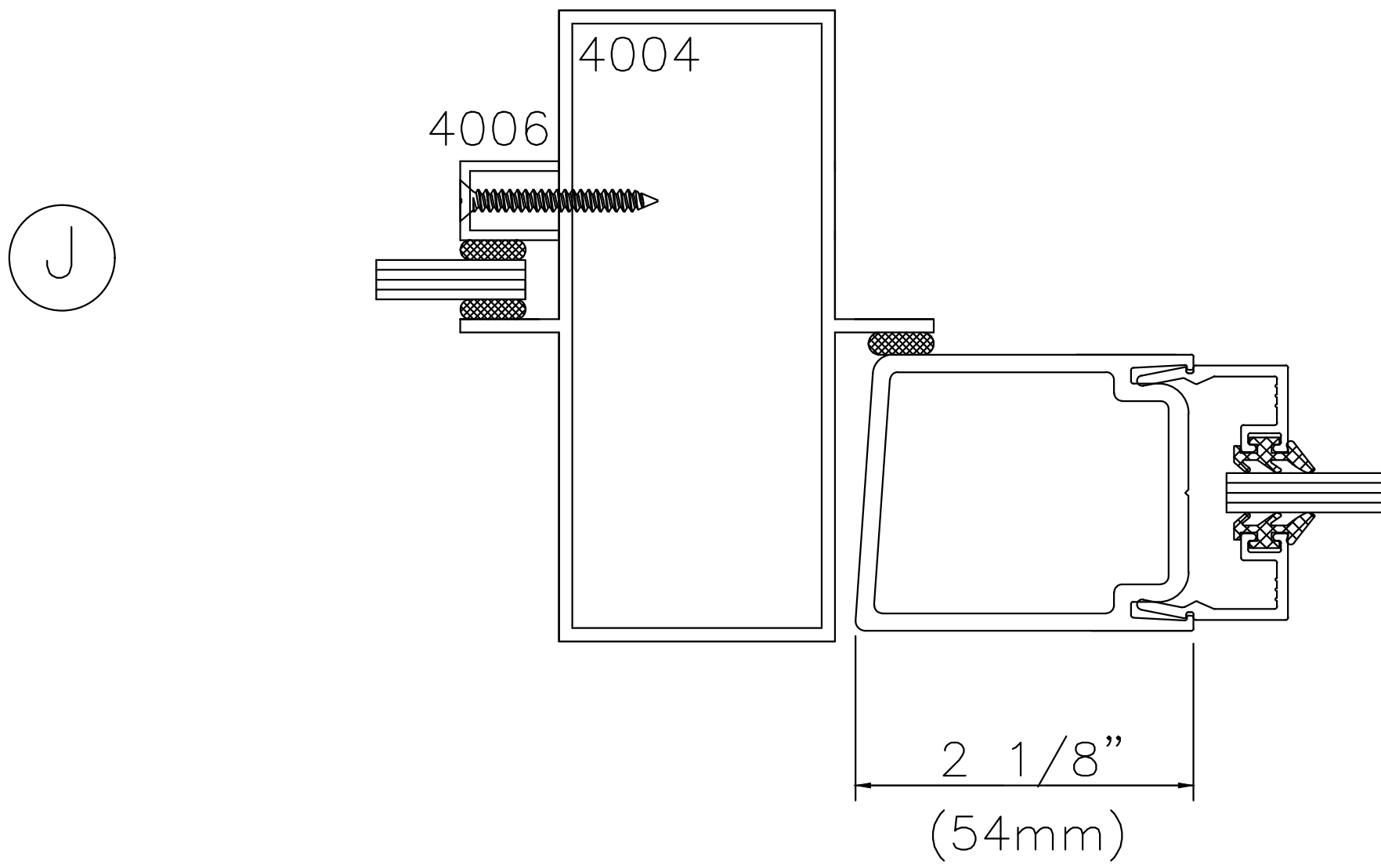


COMMERCIAL DESIGN  
SYSTEMS INC.

DATE: AUGUST 2014  
TEL: (905) 738-0188  
FAX: (905) 738-6132  
E-MAIL: CDS2009@BELLNET.CA

PAGE:  
A11

# 400 ENTRANCE FRAMING 210 DOORS



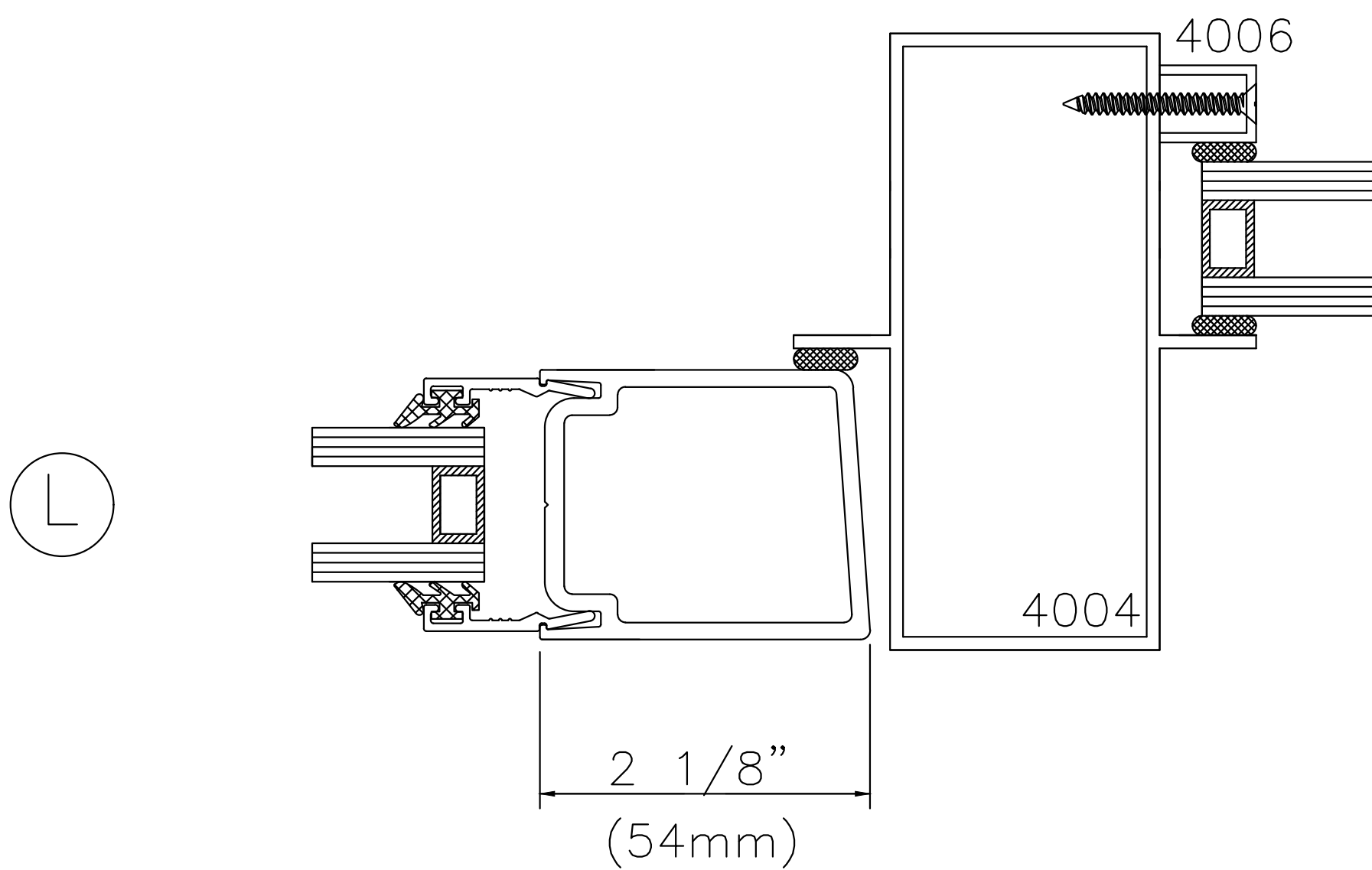
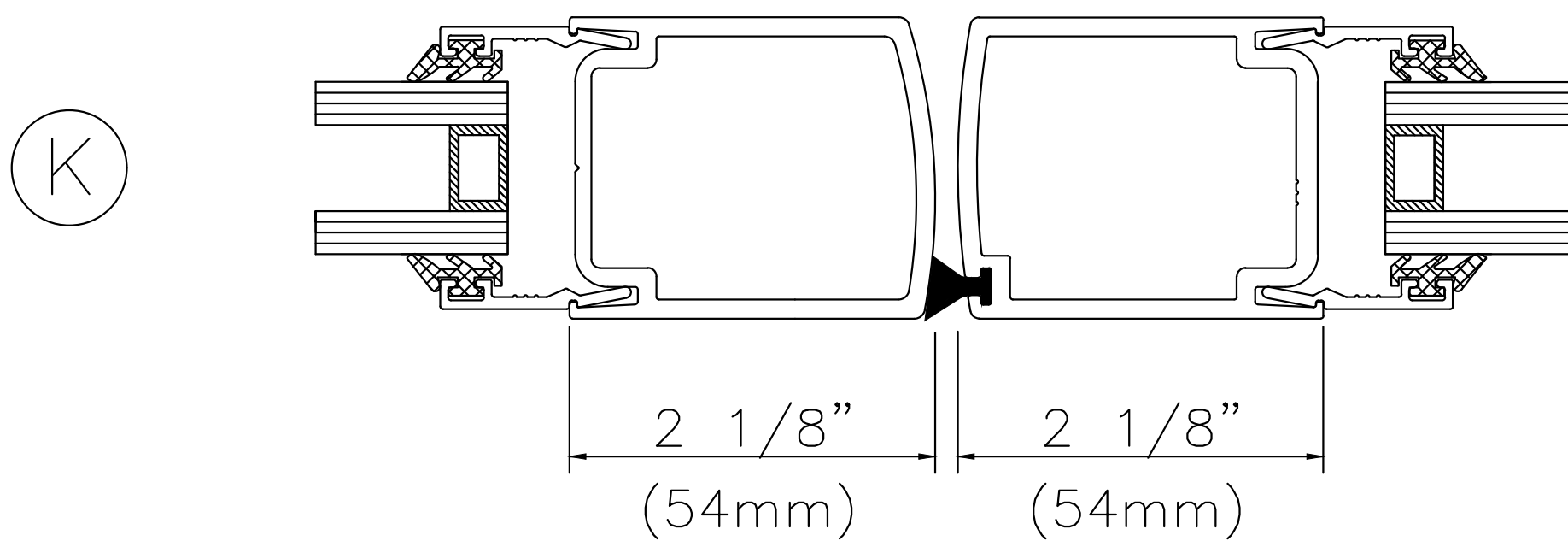
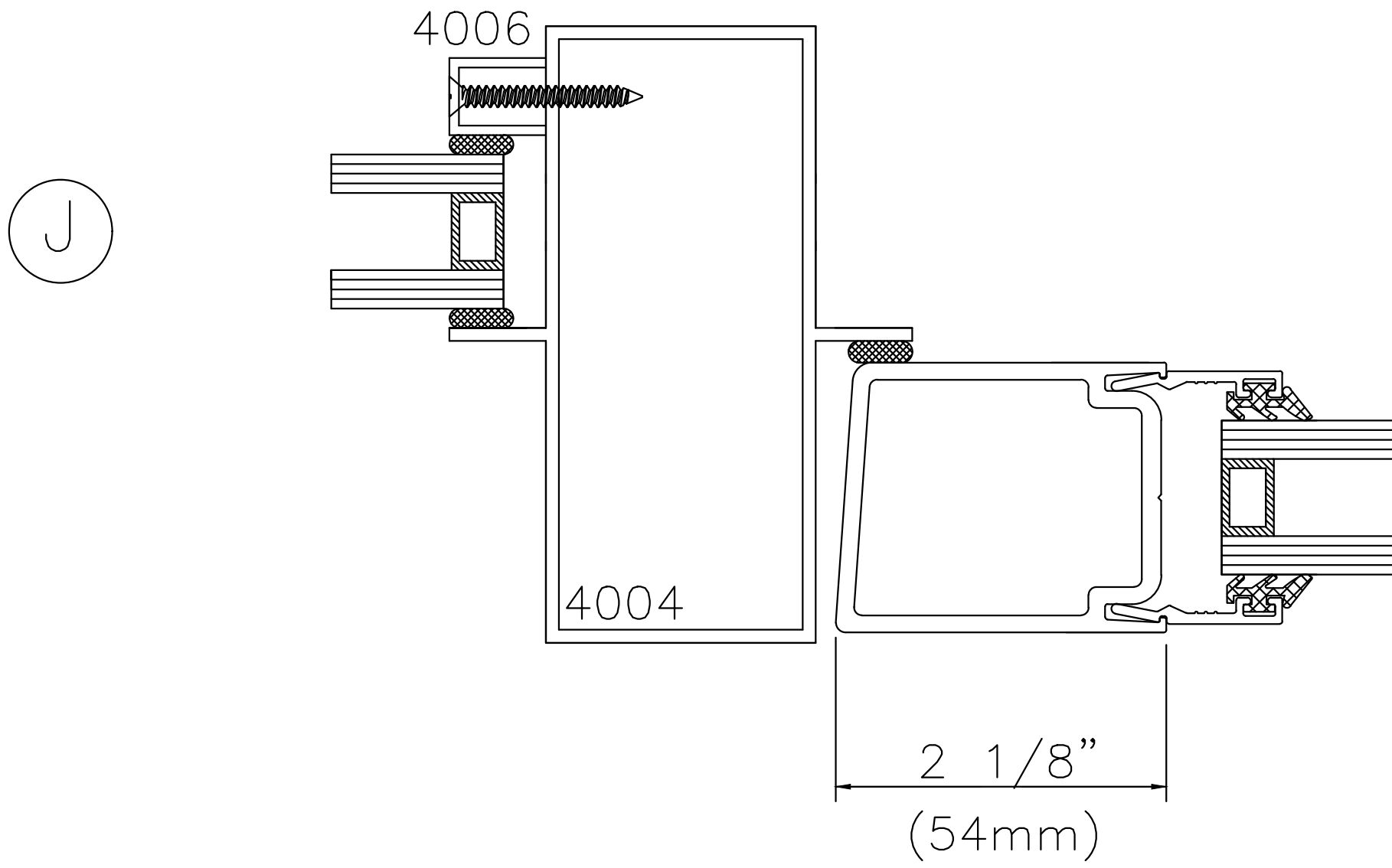
COMMERCIAL DESIGN  
SYSTEMS INC.

DATE: AUGUST 2014  
TEL: (905) 738-0188  
FAX: (905) 738-6132  
E-MAIL: CDS2009@BELLNET.CA

PAGE:

A12

# 400 ENTRANCE FRAMING 210 DOORS



COMMERCIAL DESIGN  
SYSTEMS INC.

DATE: AUGUST 2014  
TEL: (905) 738-0188  
FAX: (905) 738-6132  
E-MAIL: CDS2009@BELLNET.CA

PAGE:

A13