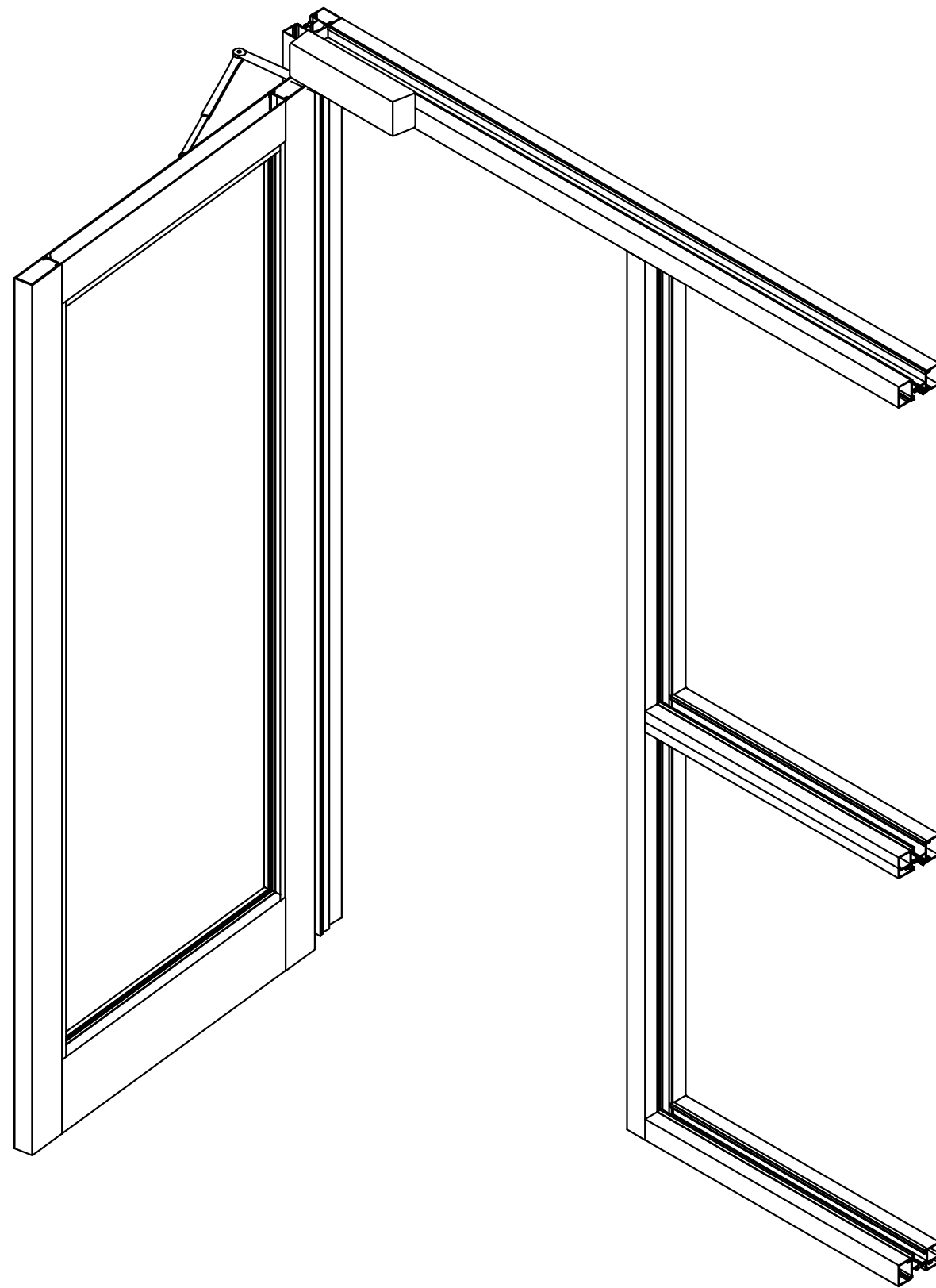


460 ENTRANCE FRAMING INFORMATION



DESCRIPTION:

IT IS A THERMALLY BROKEN SYSTEM. ENTRANCE FRAMING DIMENSIONS ARE 2"X4 1/2".

FINISH:

STOCKED:

CLEAR ANODIZED (#17)
STANDARD BRONZE (#40)

NON-STOCKED*:

CLEAR ANODIZED (#14)
LIGHT BRONZE (#26)
BLACK ANODIZED (#29)

*PAINT FINISHES ARE AVAILABLE UPON REQUEST

STOCK LENGTH:

24'(7.31M)

GLAZING:

460 SERIES ACCEPTS 1"(6mm) GLAZING UNITS



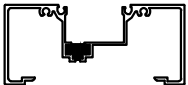
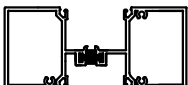
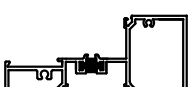


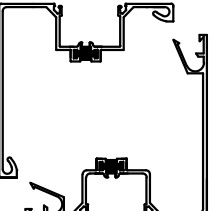


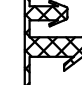

COMMERCIAL DESIGN
SYSTEMS INC.

DATE: AUGUST 2014
TEL: (905) 738-0188
FAX: (905) 738-6132
E-MAIL: CDS2009@BELLNET.CA


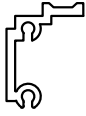
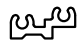
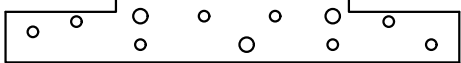


PAGE:

C1

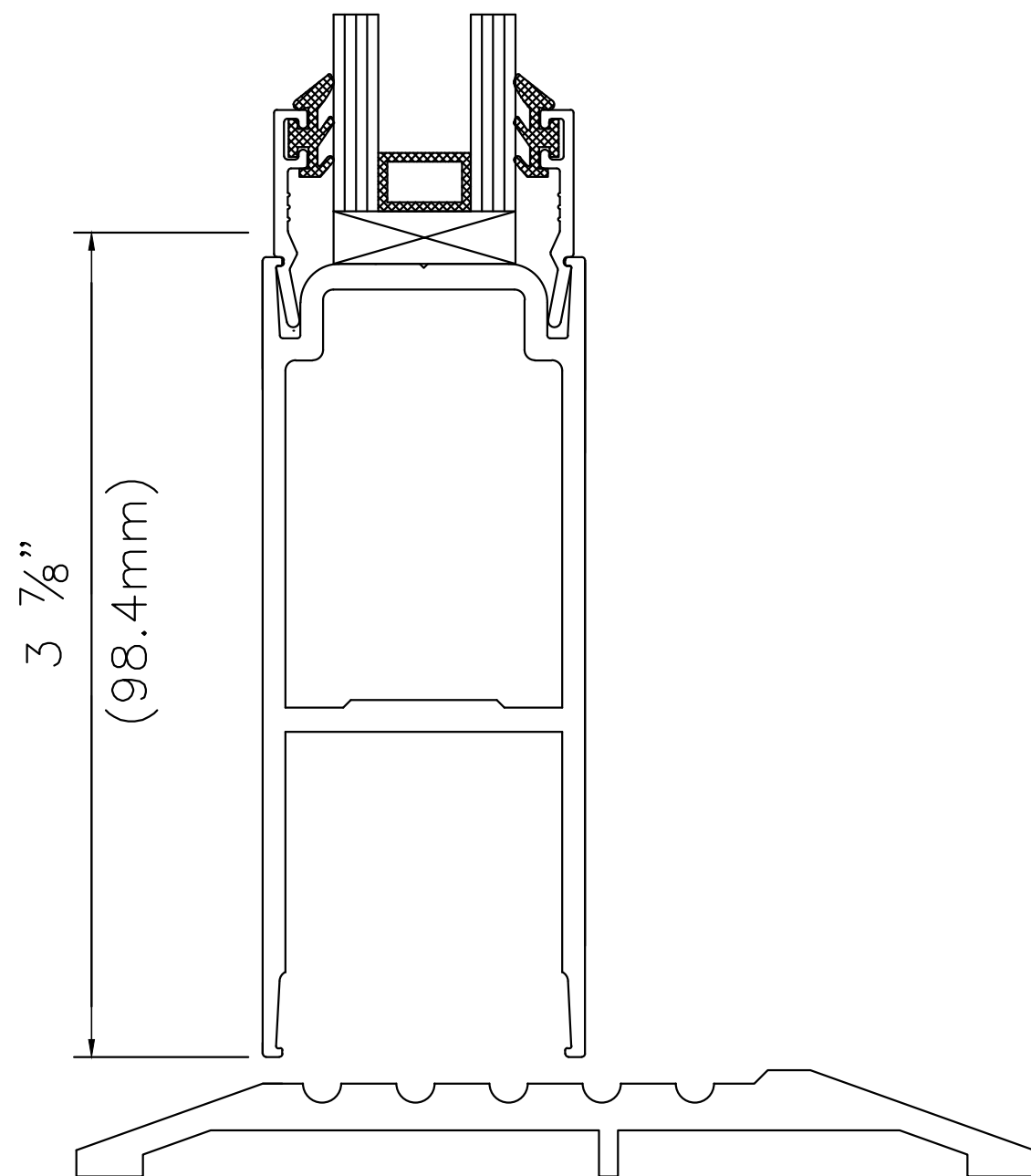
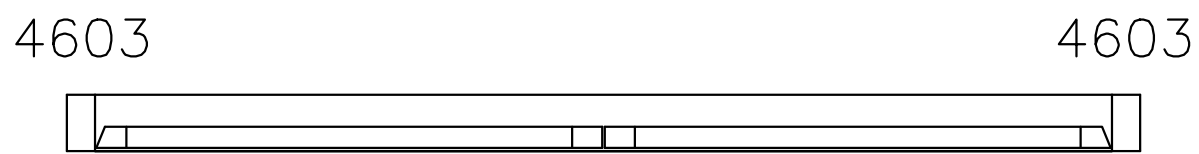
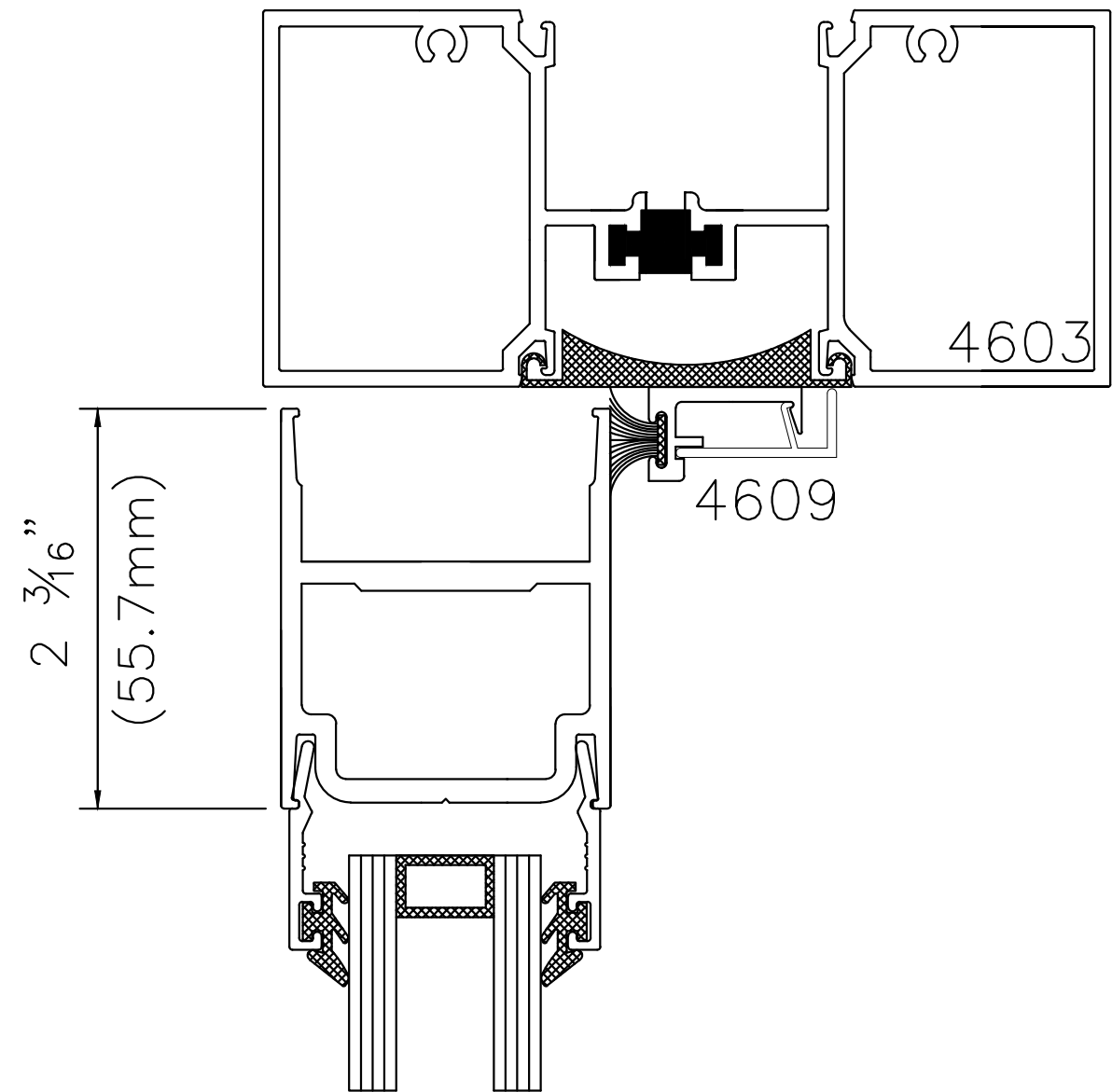
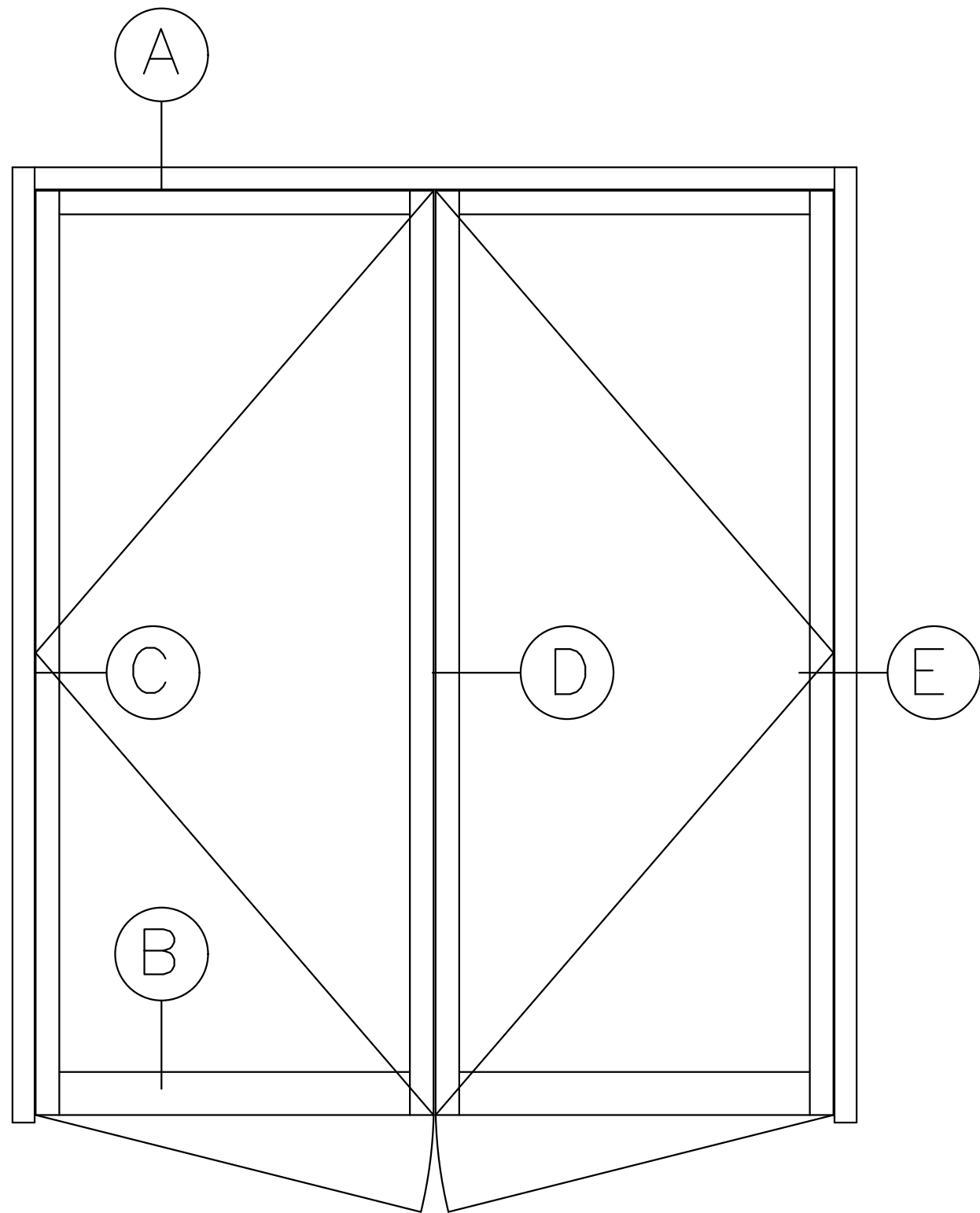
SERIES 460 ENTRANCE FRAMING (THERMAL FRAMING)
POURED AND DEBRIDGED 2" X 4½" (50.8mm X 114.3mm)

PART	PART NO	DESCRIPTION	FINISH
	4601	MULLION OPEN BACK 24' (7.3M)	STOCKED CLEAR ANODIZED(2) STANDARD BRONZED ANODIZED(3)
			NOT STOCKED LIGHT BRONZED ANODIZED(5) BLACK ANODIZED(6)
	4603	MULLION CLOSED BACK 24' (7.3M)	STOCKED CLEAR ANODIZED(2) STANDARD BRONZED ANODIZED(3)
			NOT STOCKED LIGHT BRONZED ANODIZED(5) BLACK ANODIZED(6)
	4604	HORIZONTAL SILL 24' (7.3M)	STOCKED CLEAR ANODIZED(2) STANDARD BRONZED ANODIZED(3)
			NOT STOCKED LIGHT BRONZED ANODIZED(5) BLACK ANODIZED(6)
	4605	1" SEALED UNIT GLAZING STOP 24' (7.3M)	STOCKED CLEAR ANODIZED(2) STANDARD BRONZED ANODIZED(3)
			NOT STOCKED LIGHT BRONZED ANODIZED(5) BLACK ANODIZED(6)
	4606	SILL TRACK 22' (6.7M)	STOCKED CLEAR ANODIZED(2) STANDARD BRONZED ANODIZED(3)
			NOT STOCKED LIGHT BRONZED ANODIZED(5) BLACK ANODIZED(6)
	4607	MALE HALF CORNER MULLION 24' (7.3M)	STOCKED CLEAR ANODIZED(2) STANDARD BRONZED ANODIZED(3)
	4608	FEMALE HALF CORNER MULLION 24' (7.3M)	STOCKED CLEAR ANODIZED(2) STANDARD BRONZED ANODIZED(3)
	4609	2 PIECE DOOR STOP ½"	STOCKED CLEAR ANODIZED(2) STANDARD BRONZED ANODIZED(3)
			NOT STOCKED LIGHT BRONZED ANODIZED(5) BLACK ANODIZED(6)
	4610	2 PIECE DOOR STOP 11/16" (.670m)	STOCKED CLEAR ANODIZED(2) STANDARD BRONZED ANODIZED(3)
			NOT STOCKED LIGHT BRONZED ANODIZED(5) BLACK ANODIZED(6)
	R4502	GLAZING SPLINE FOR 1" (25.4mm) UNIT 500'	
	R4527	WEATHER STRIP 1500'	

SERIES 460 ENTRANCE FRAMING (THERMAL FRAMING)
POURED AND DEBRIDGED 2" X 4½" (50.8mm X 114.3mm)

PART	PART NO	DESCRIPTION	FINISH
	R4603	POCKET FILLER 22' (6.7M)	
	H4602	LARGE JAMB/MULLION BRACKET	
	H4603	SMALL SILL BRACKET	
	H4604	4600 FRAME BACKING PLATES FOR BUTT HINGES	
		PAN HEAD PHILLIPS SCREW #12 X 2"	
		FLAT HEAD SQUARE SCREW 10-24 X 5/8"	

460 ENTRANCE FRAMING (2"X4½") WITH STANDARD DOOR



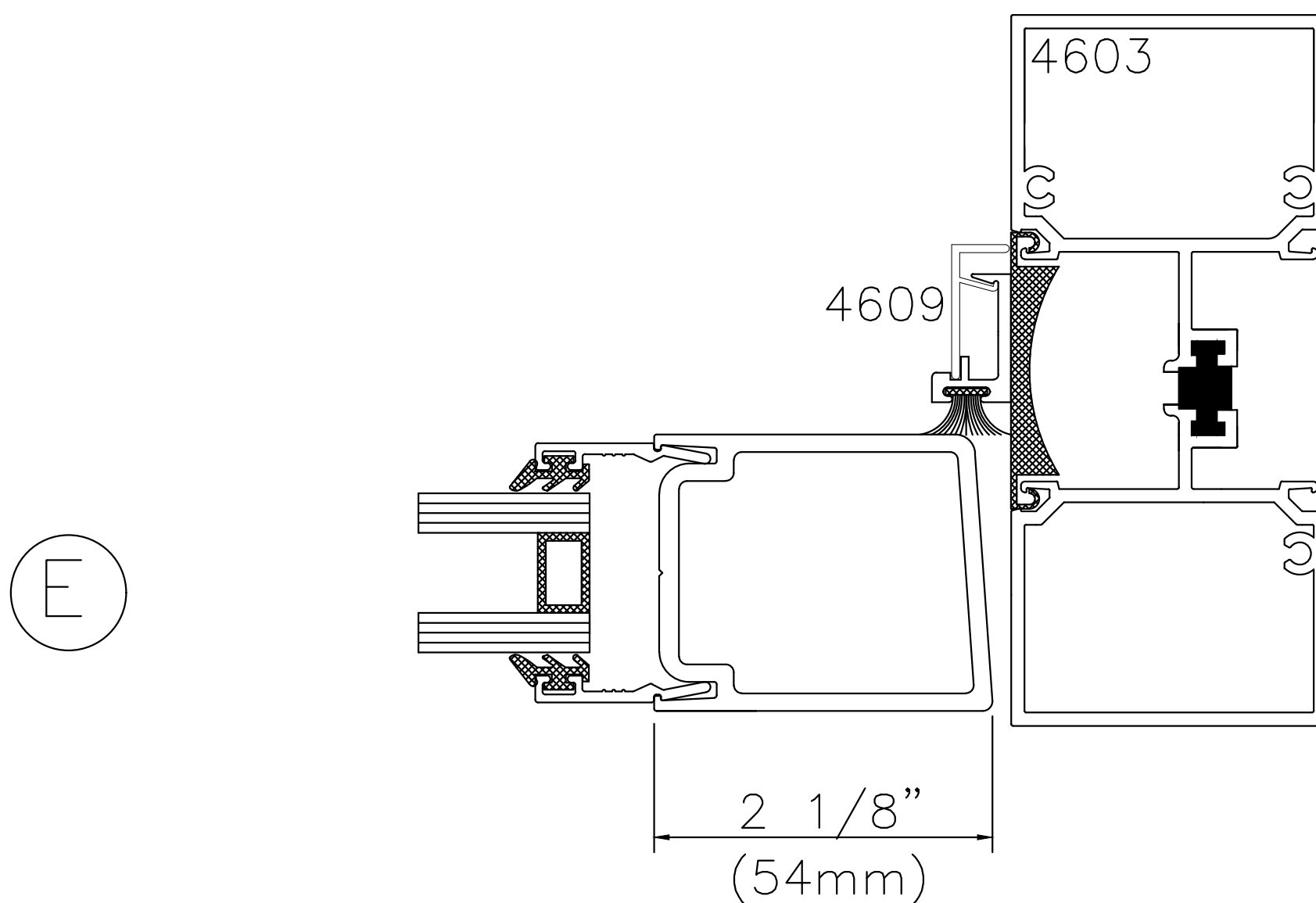
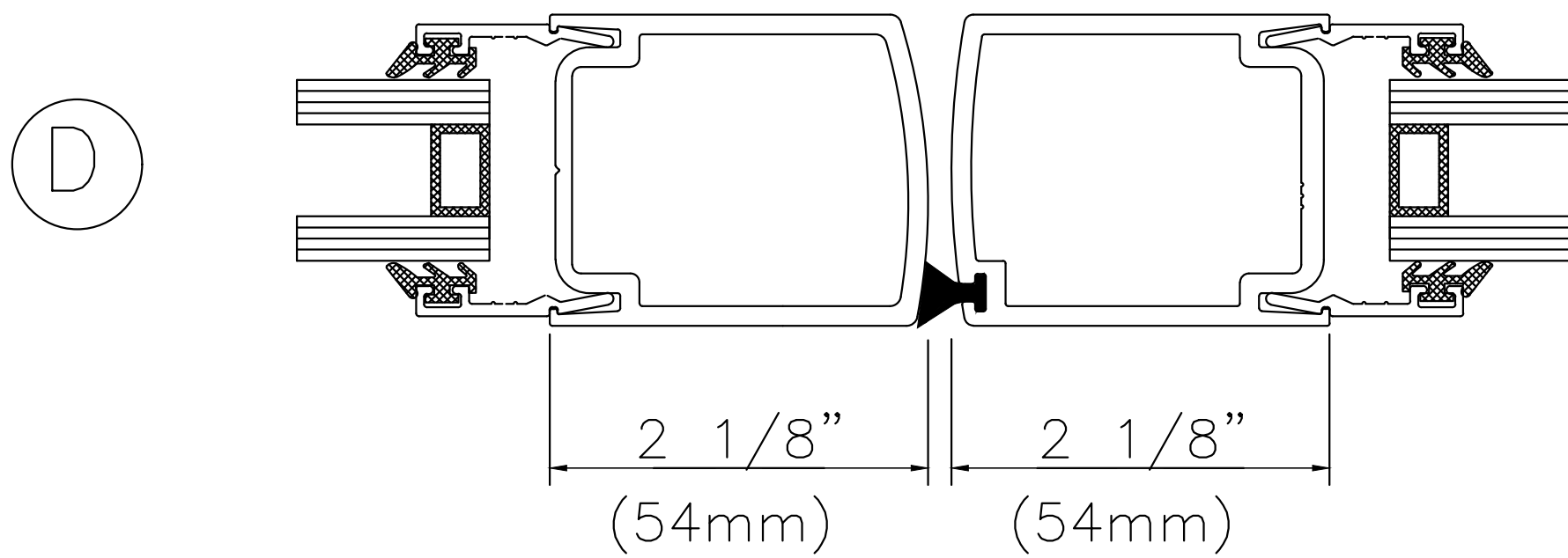
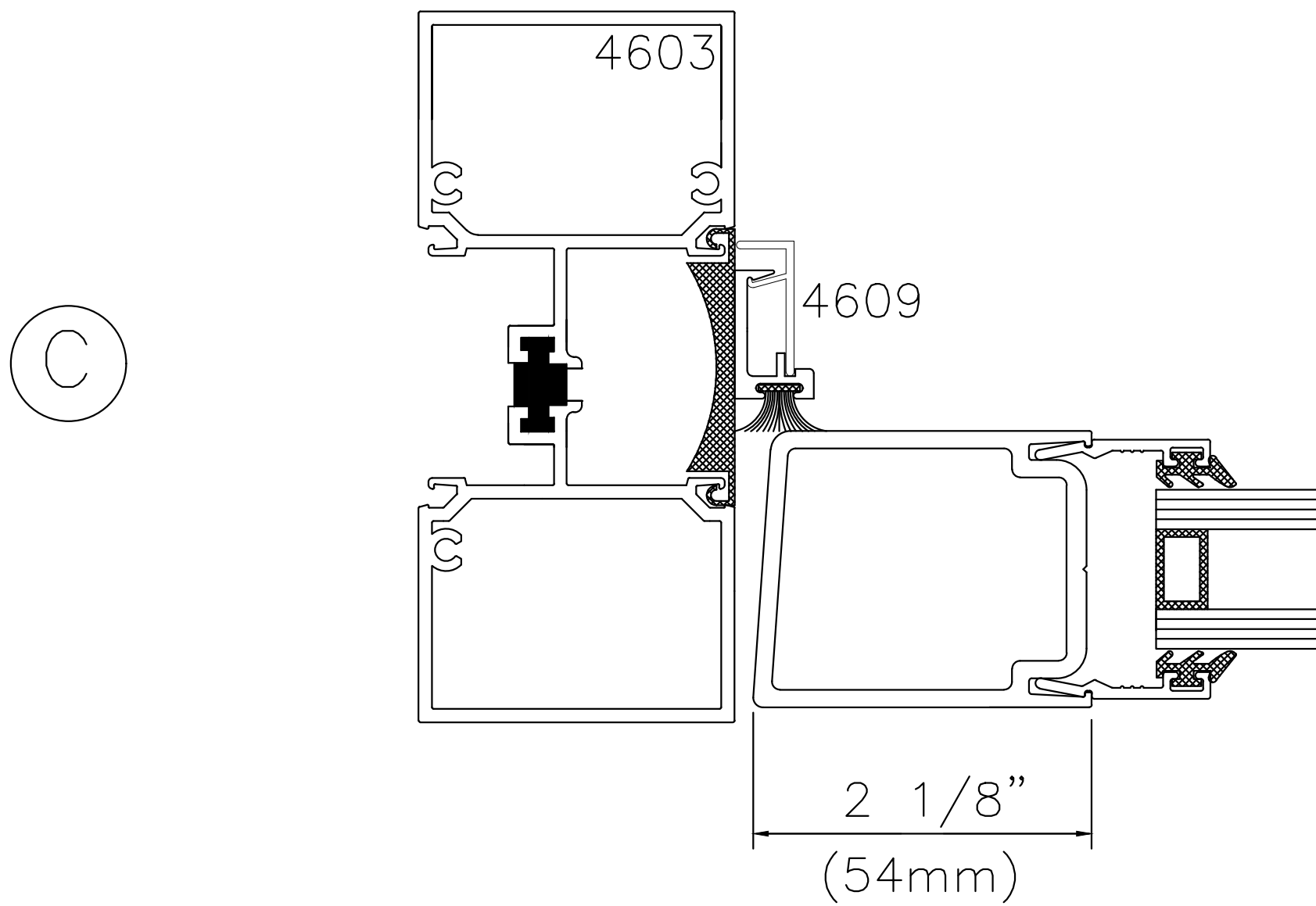
**COMMERCIAL DESIGN
SYSTEMS INC.**

DATE: AUGUST 2014
 TEL: (905) 738-0188
 FAX: (905) 738-6132
 E-MAIL: CDS2009@BELLNET.CA

PAGE:

C4

460 ENTRANCE FRAMING (2"X4½") WITH STANDARD DOOR



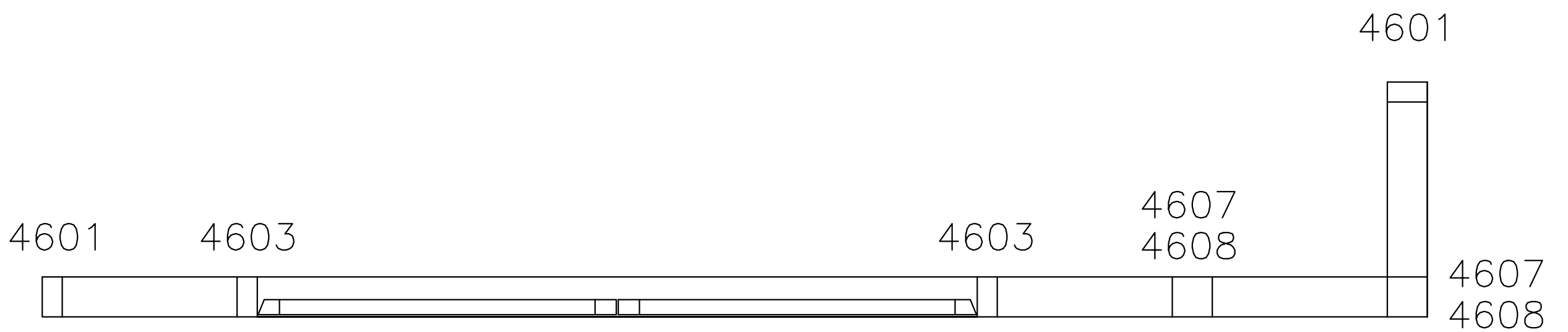
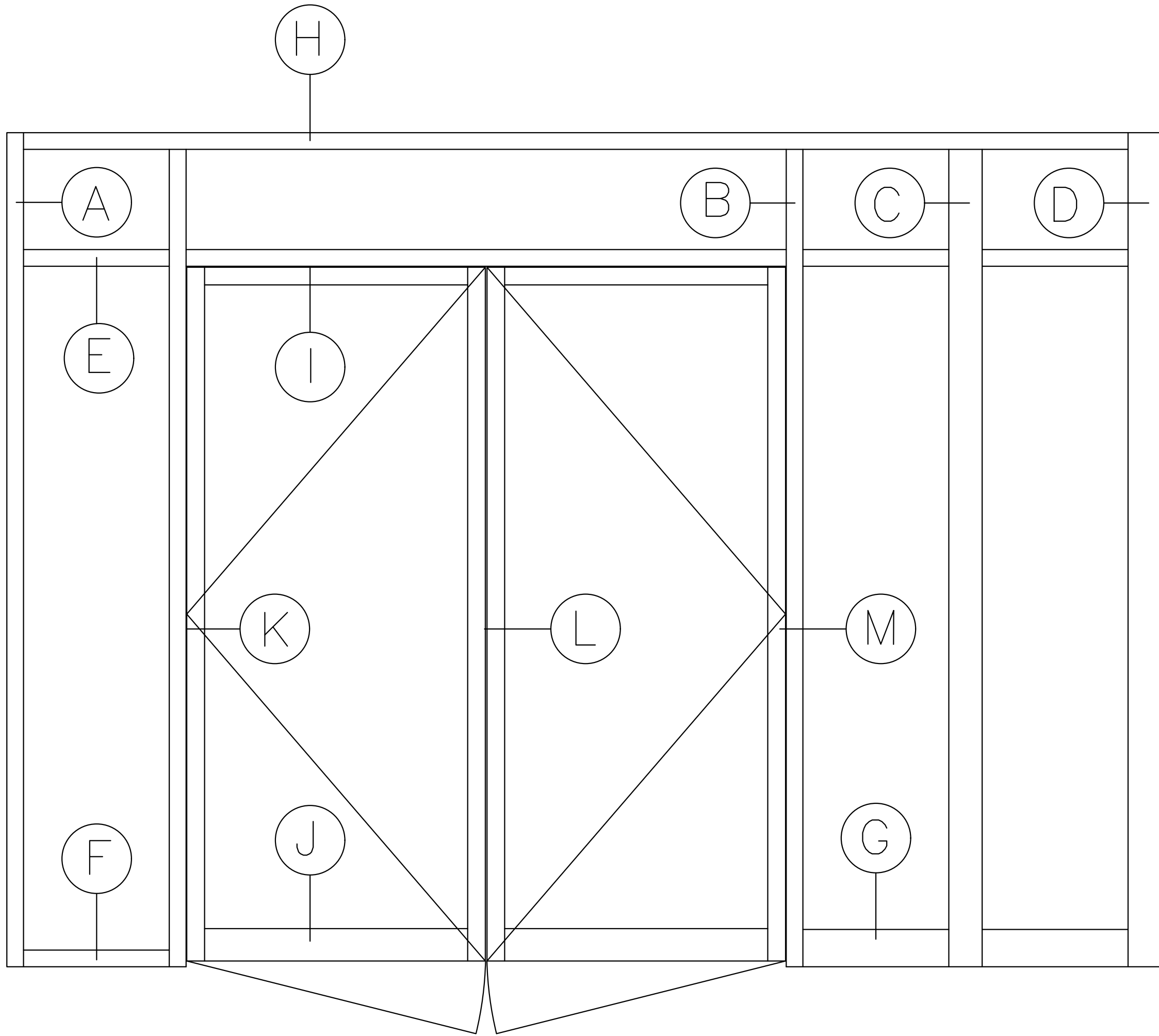
COMMERCIAL DESIGN
SYSTEMS INC.

DATE: AUGUST 2014
TEL: (905) 738-0188
FAX: (905) 738-6132
E-MAIL: CDS2009@BELLNET.CA

PAGE:

C5

460 SERIES ENTRANCE FRAMING



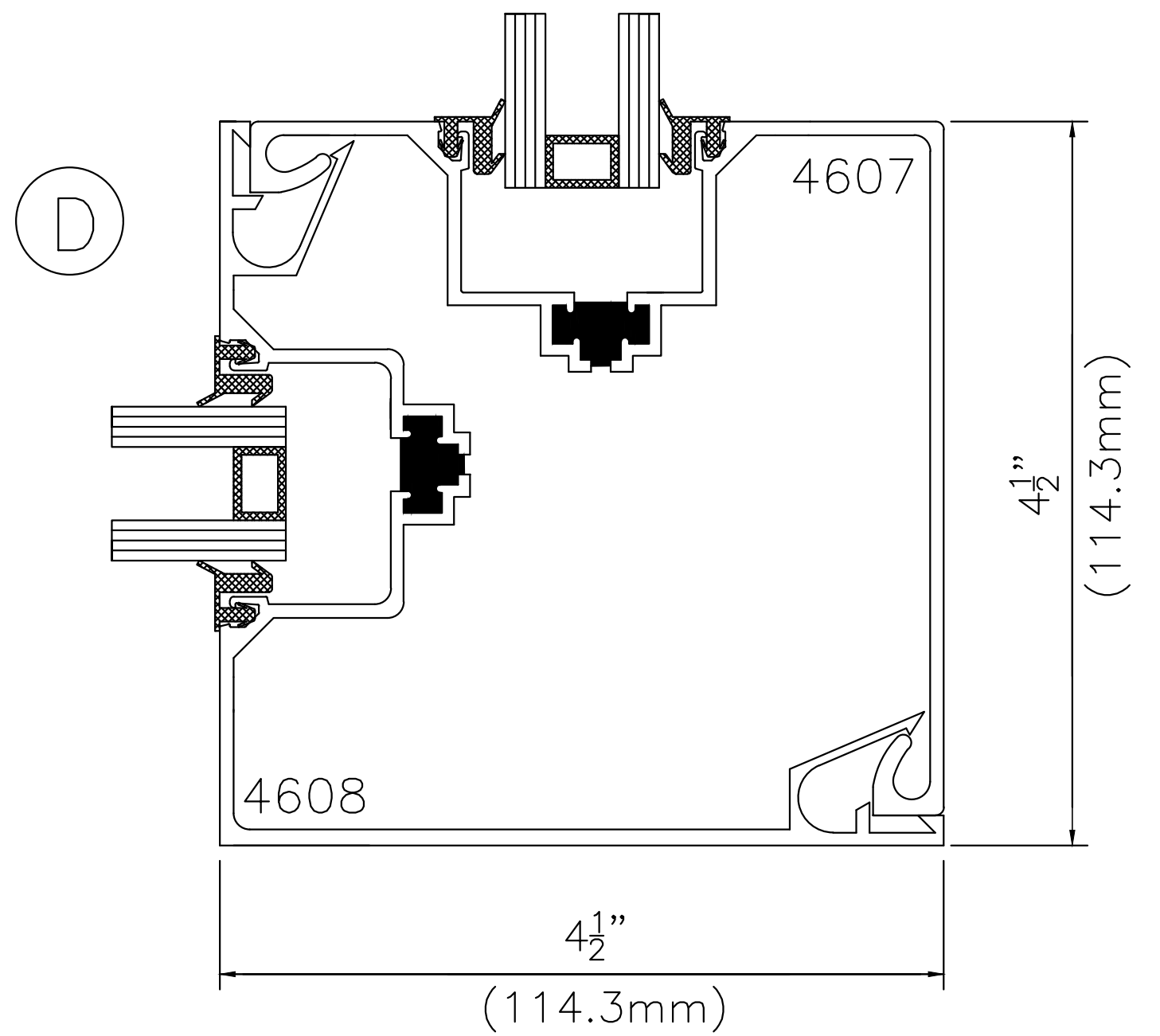
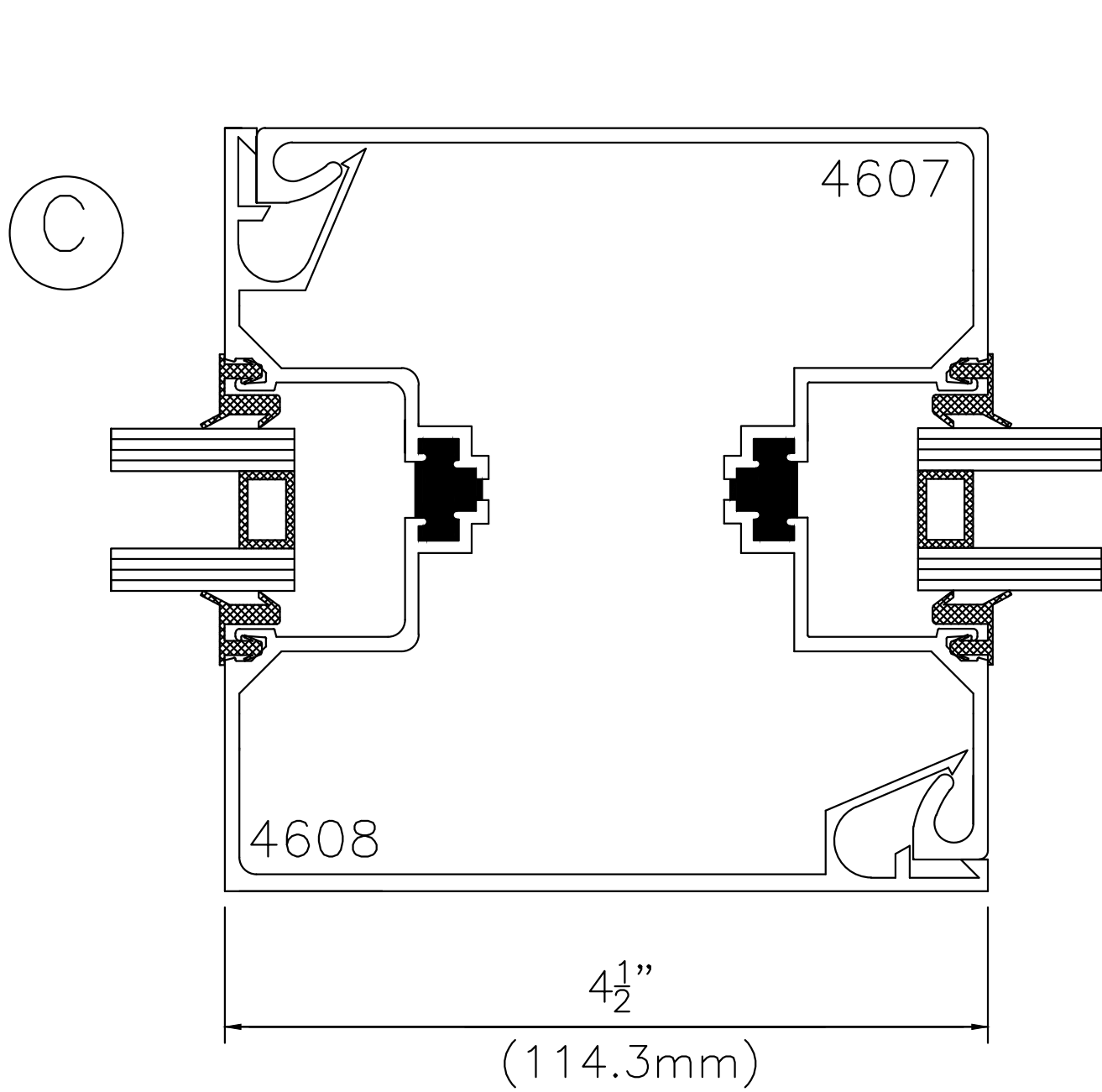
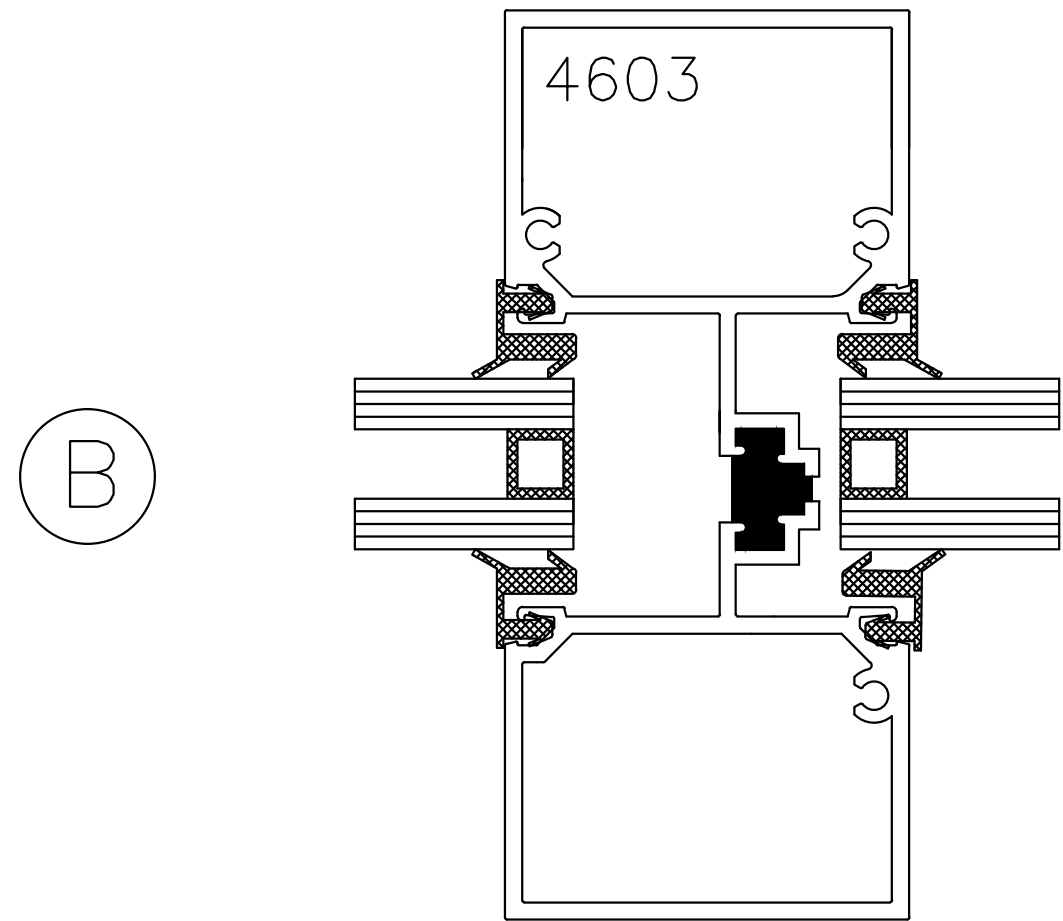
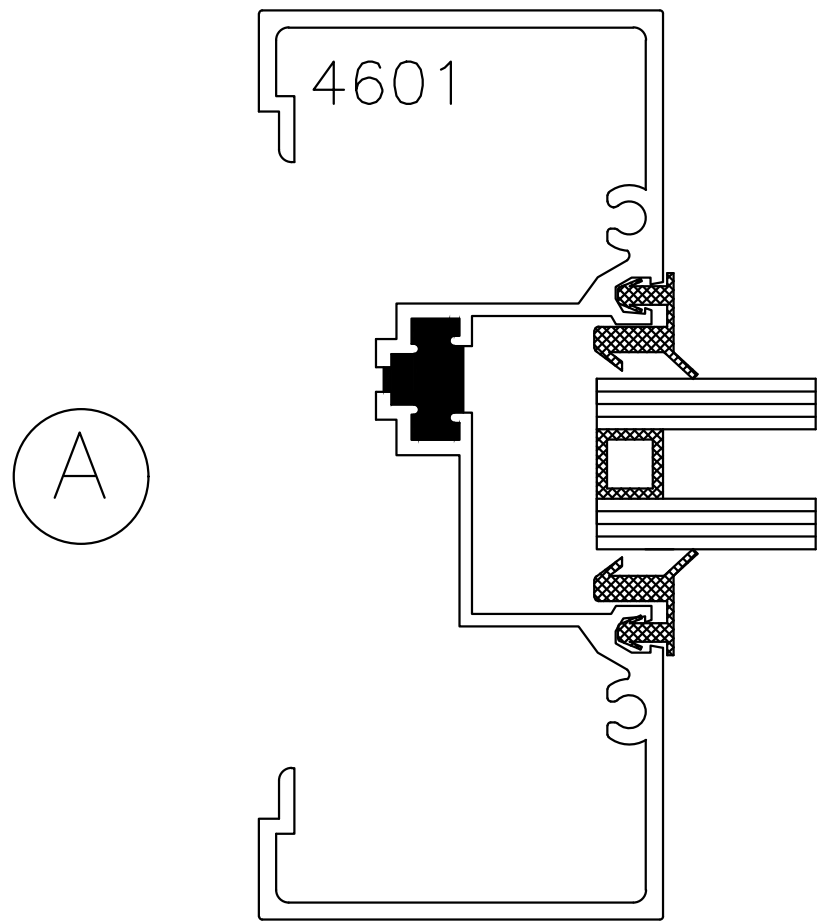
**COMMERCIAL DESIGN
SYSTEMS INC.**

DATE: AUGUST 2014
 TEL: (905) 738-0188
 FAX: (905) 738-6132
 E-MAIL: CDS2009@BELLNET.CA

PAGE:

C6

460 SERIES ENTRANCE FRAMING



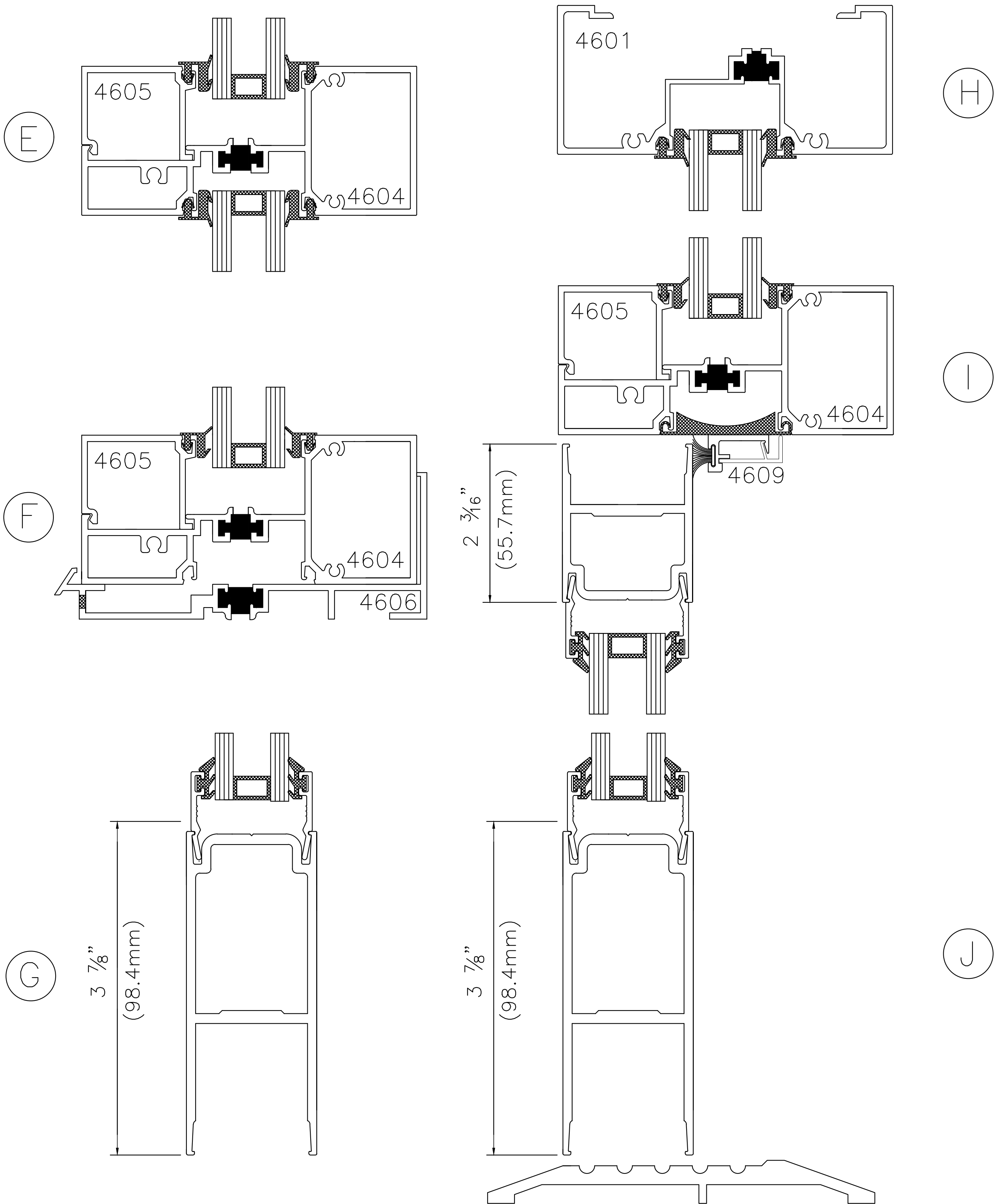
**COMMERCIAL DESIGN
SYSTEMS INC.**

DATE: AUGUST 2014
 TEL: (905) 738-0188
 FAX: (905) 738-6132
 E-MAIL: CDS2009@BELLNET.CA

PAGE:

C7

460 ENTRANCE FRAMING 210 DOOR



**COMMERCIAL DESIGN
SYSTEMS INC.**

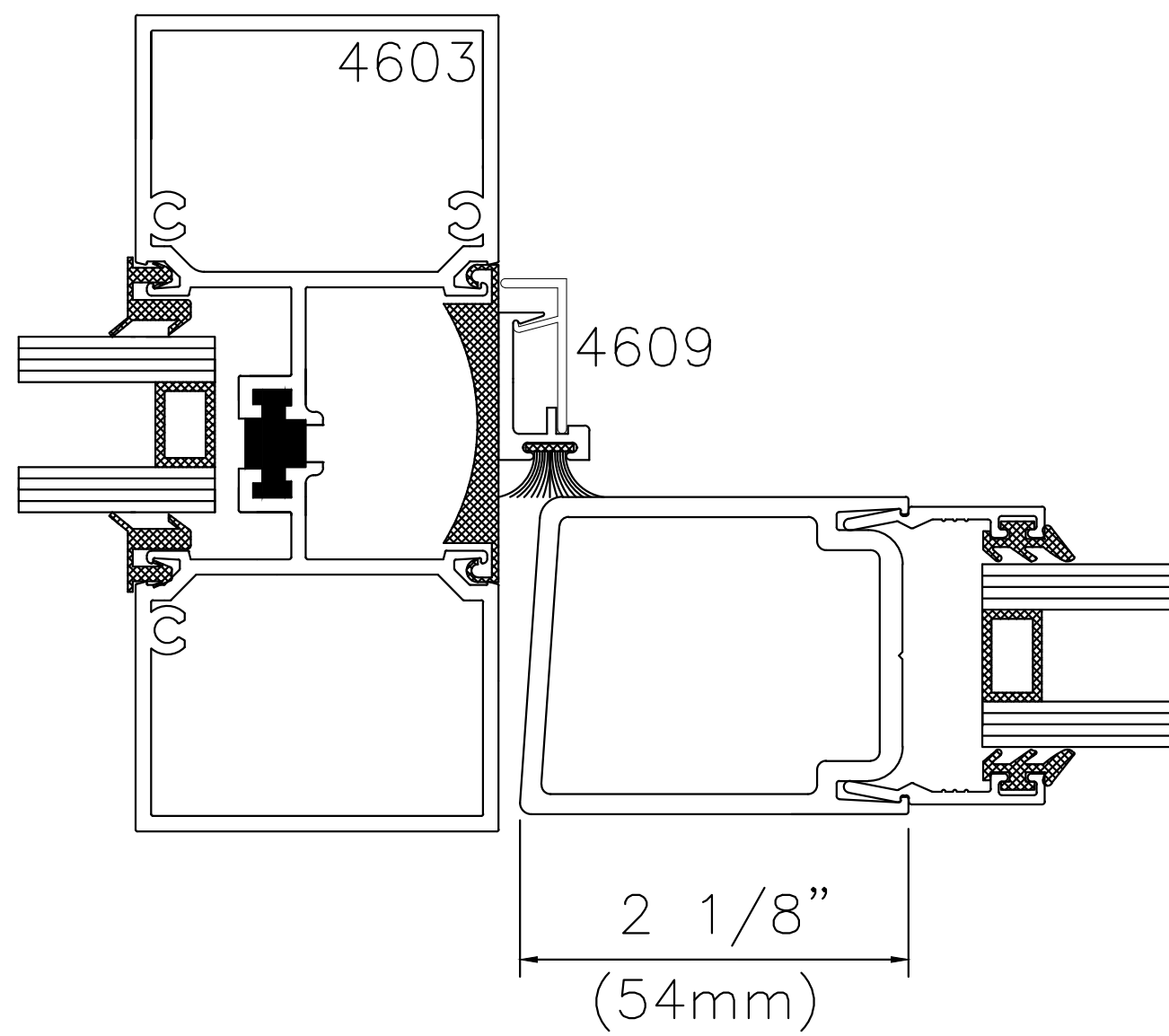
DATE: AUGUST 2014
 TEL: (905) 738-0188
 FAX: (905) 738-6132
 E-MAIL: CDS2009@BELLNET.CA

PAGE:

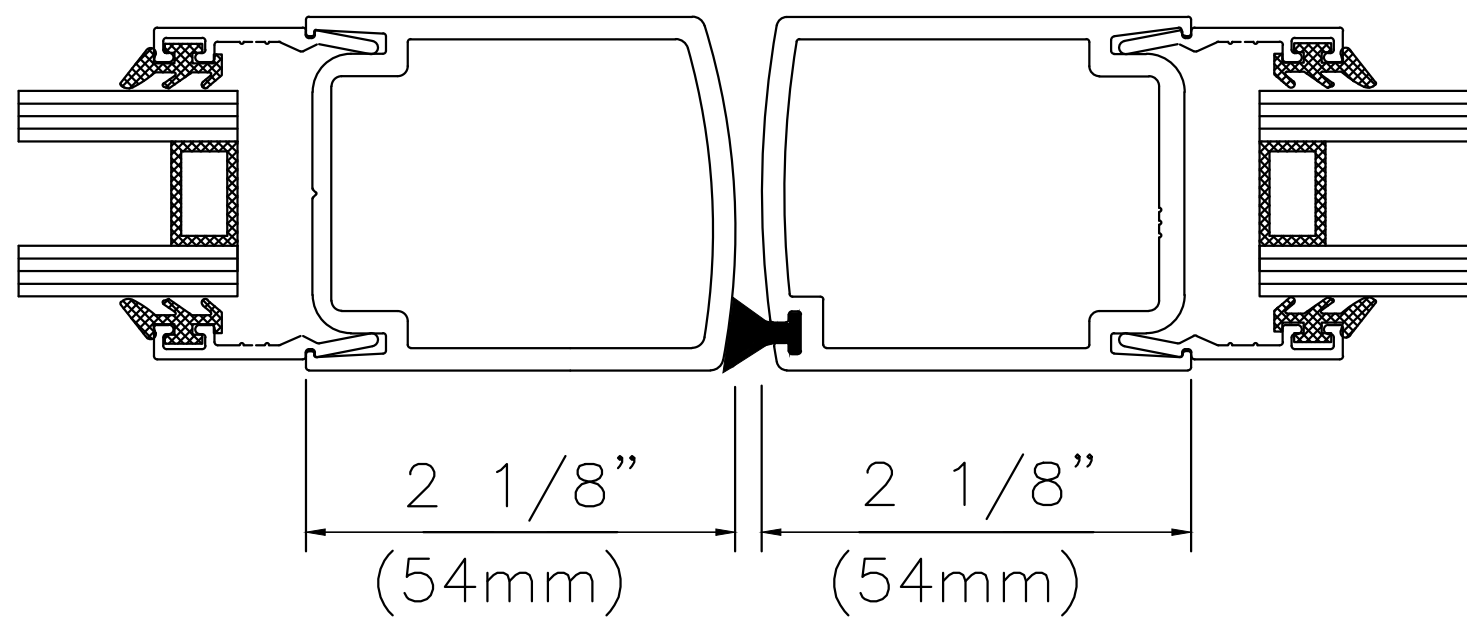
C8

460 ENTRANCE FRAMING 210 DOOR

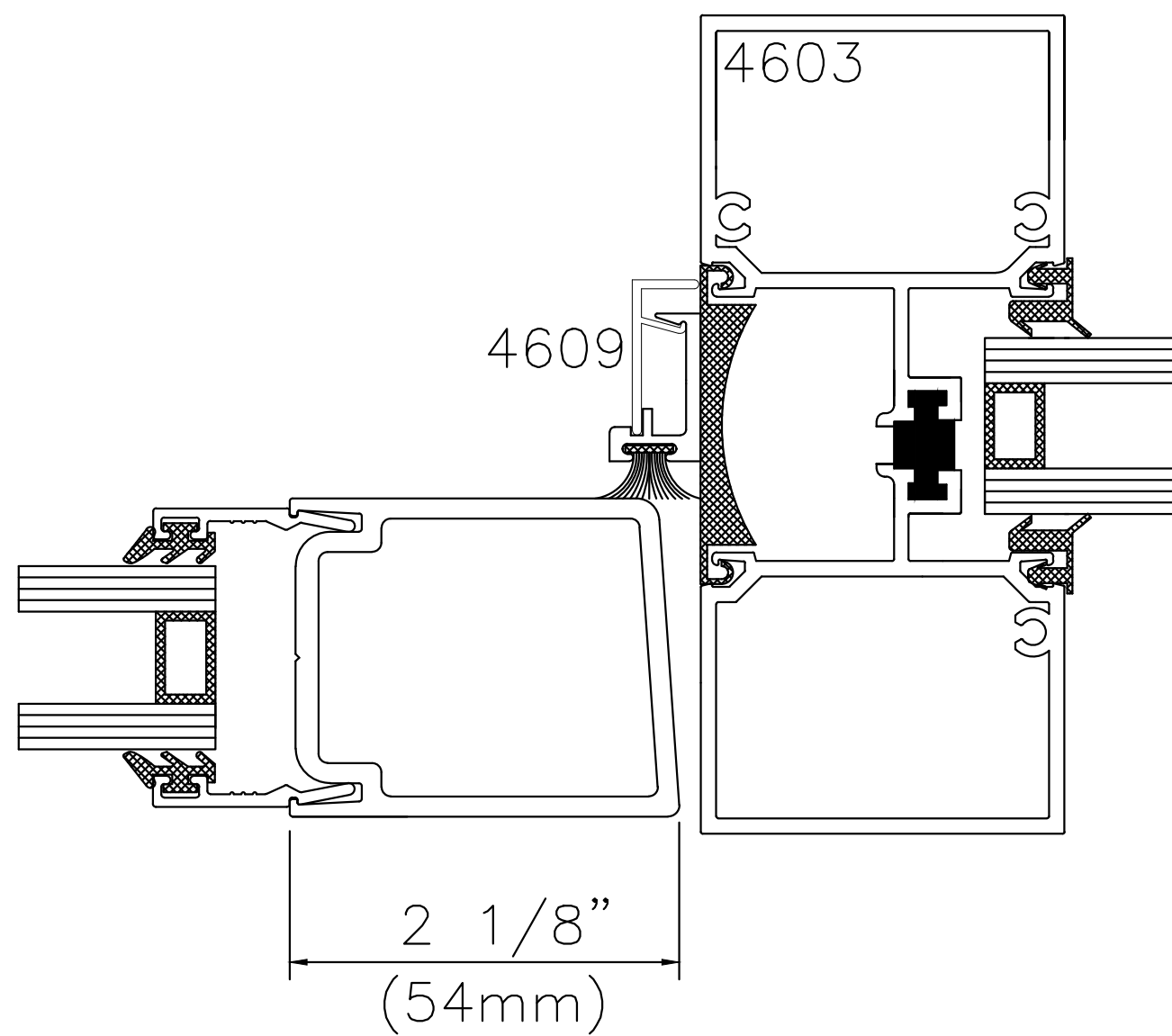
(K)



(L)



(M)



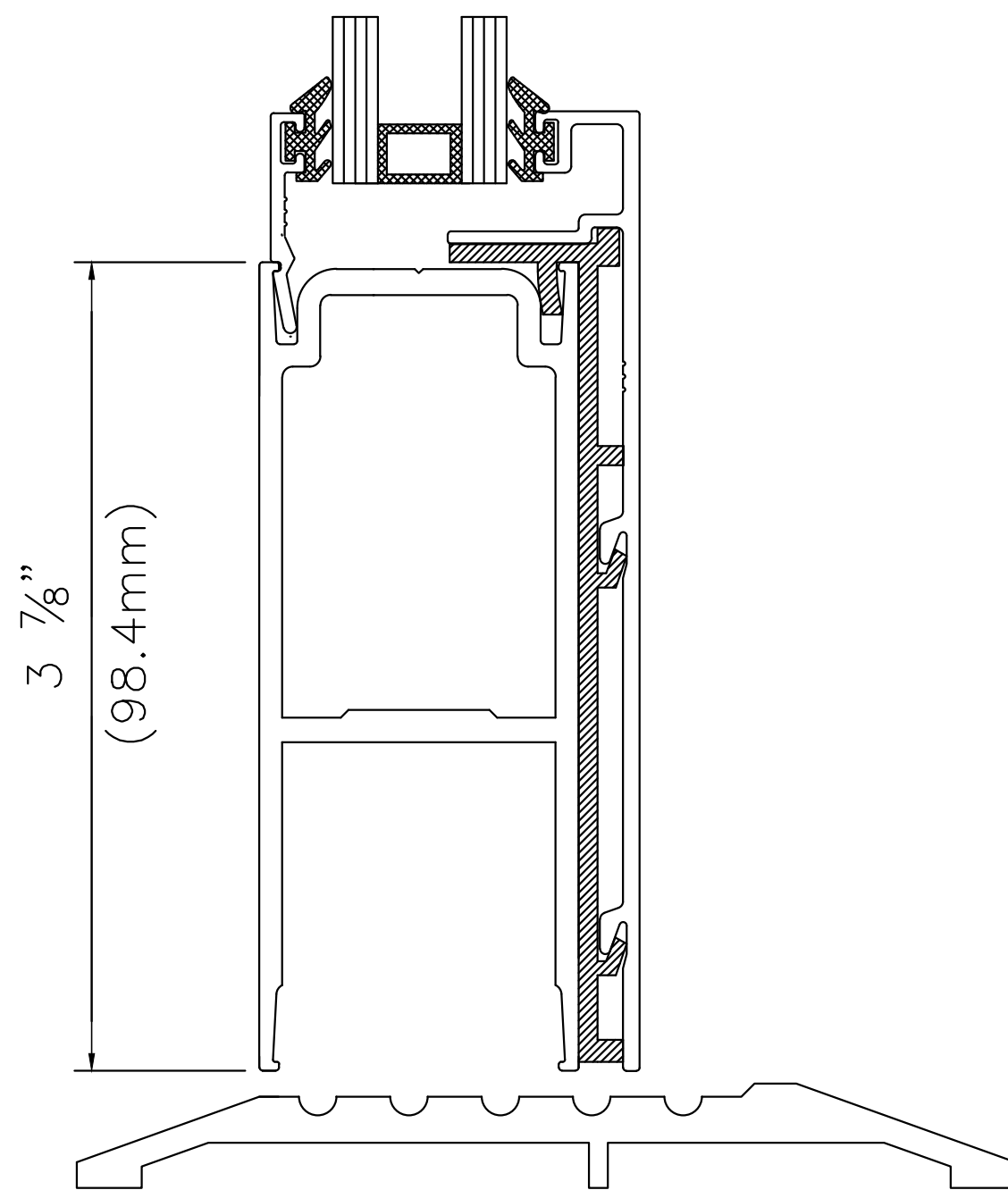
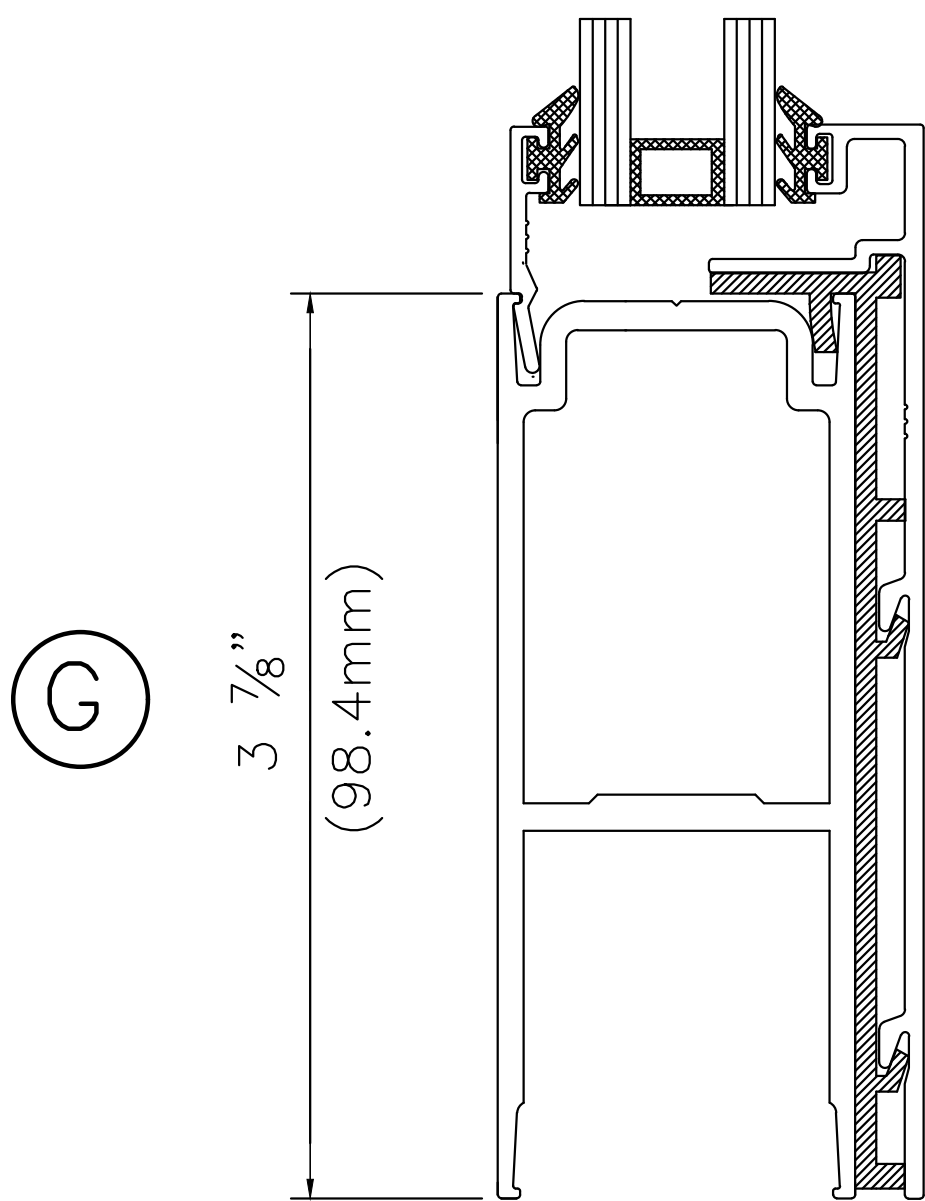
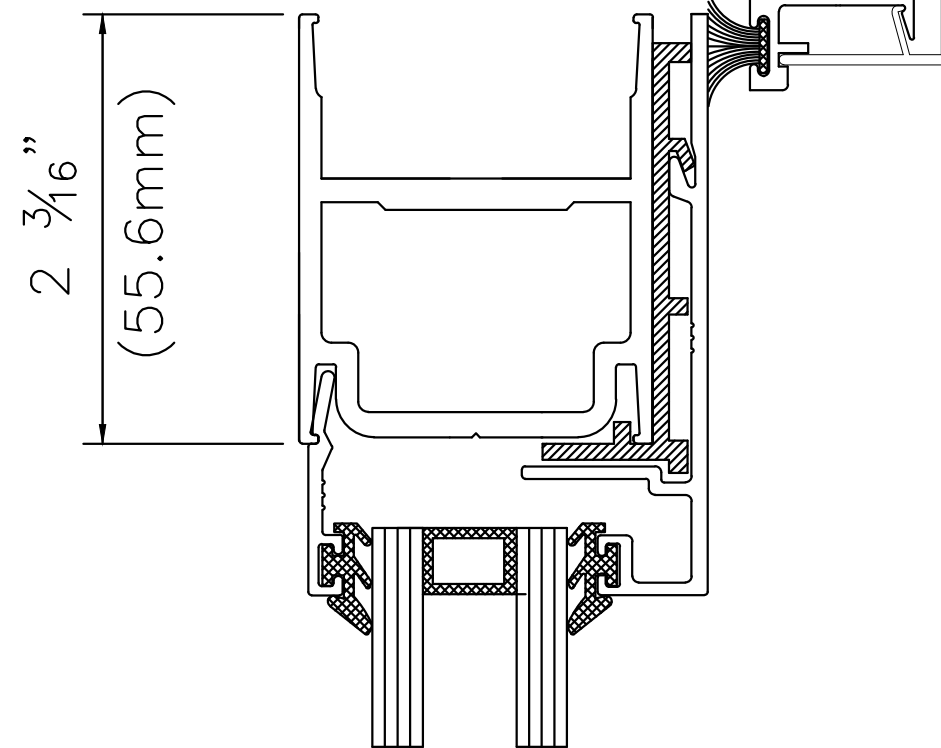
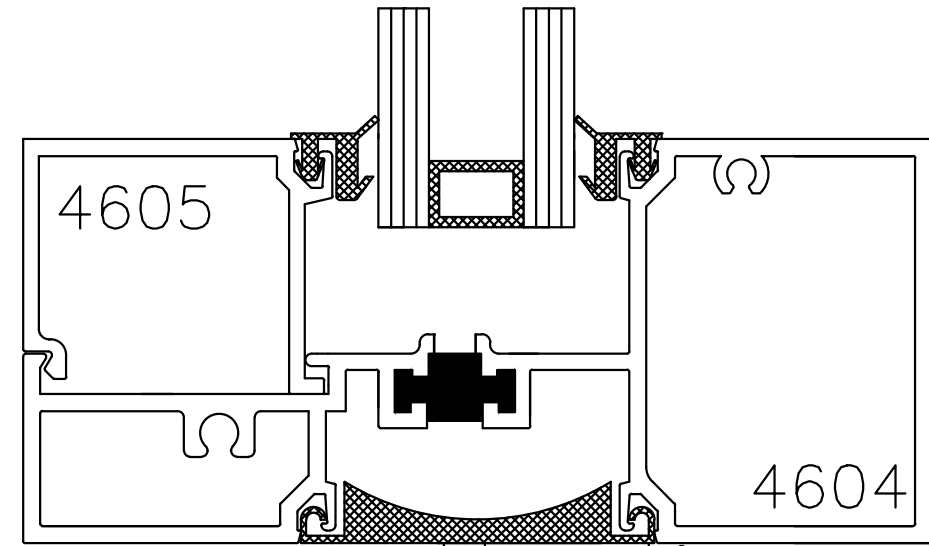
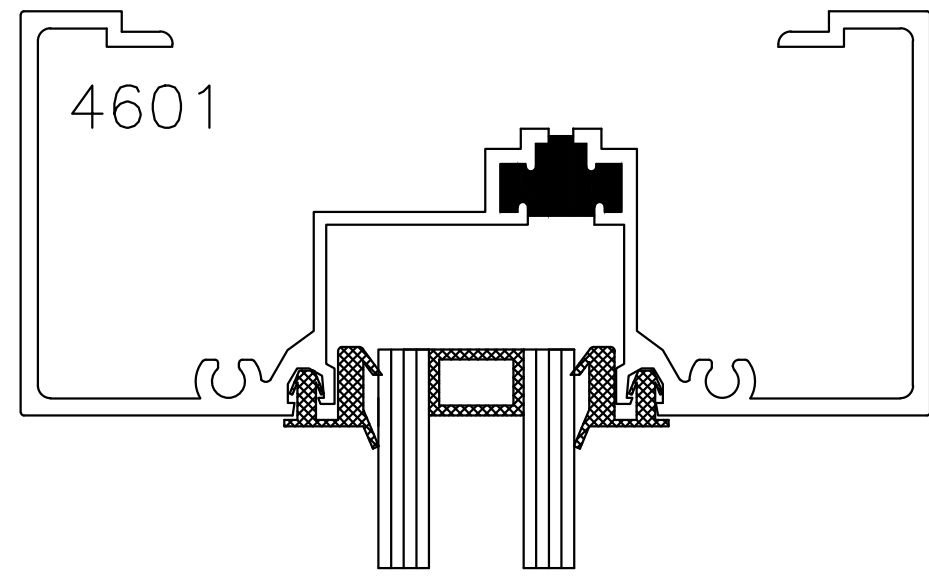
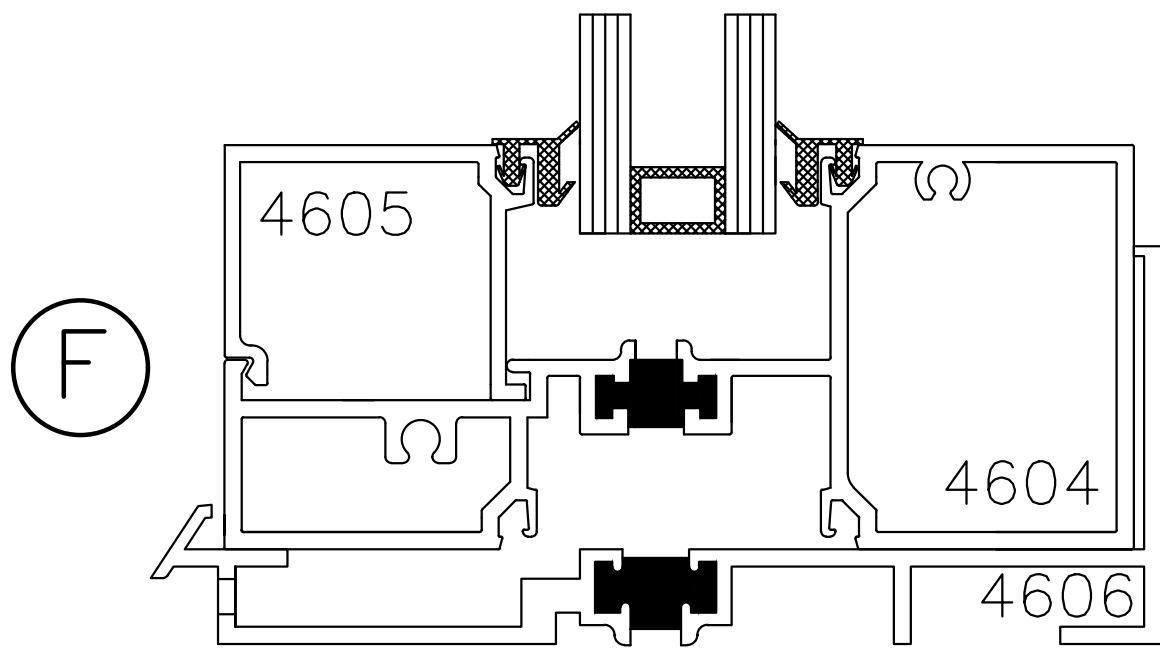
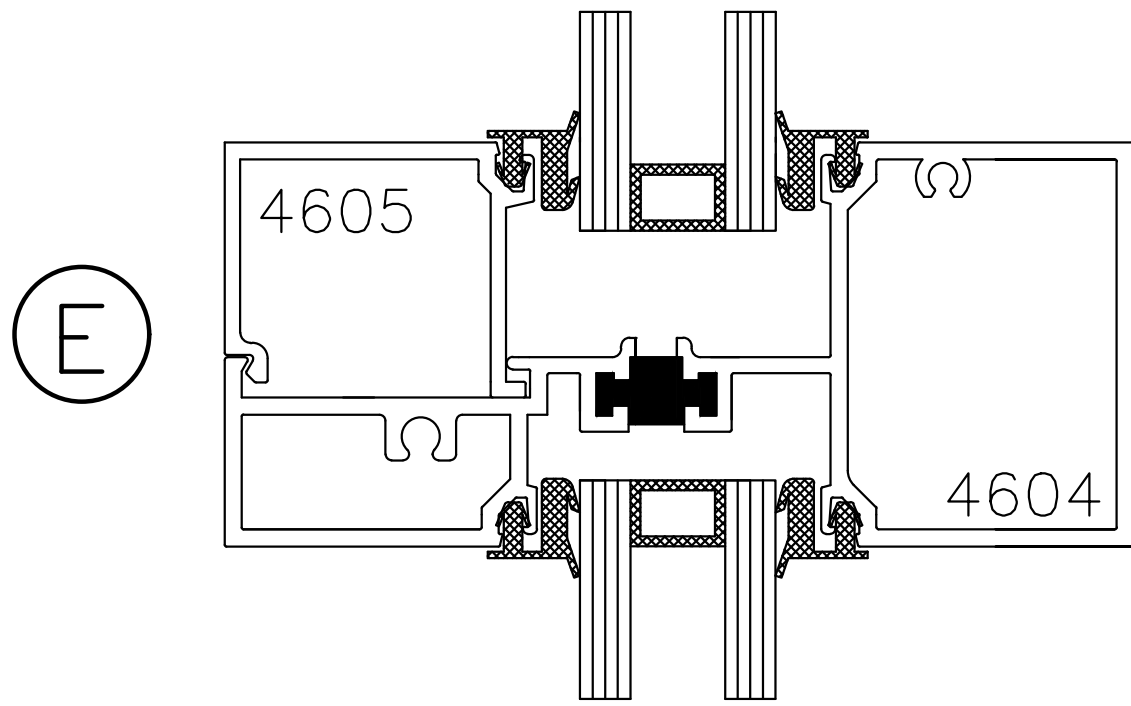
COMMERCIAL DESIGN
SYSTEMS INC.

DATE: AUGUST 2014
TEL: (905) 738-0188
FAX: (905) 738-6132
E-MAIL: CDS2009@BELLNET.CA

PAGE:

C9

460 ENTRANCE FRAMING 210 INSUL DOORS



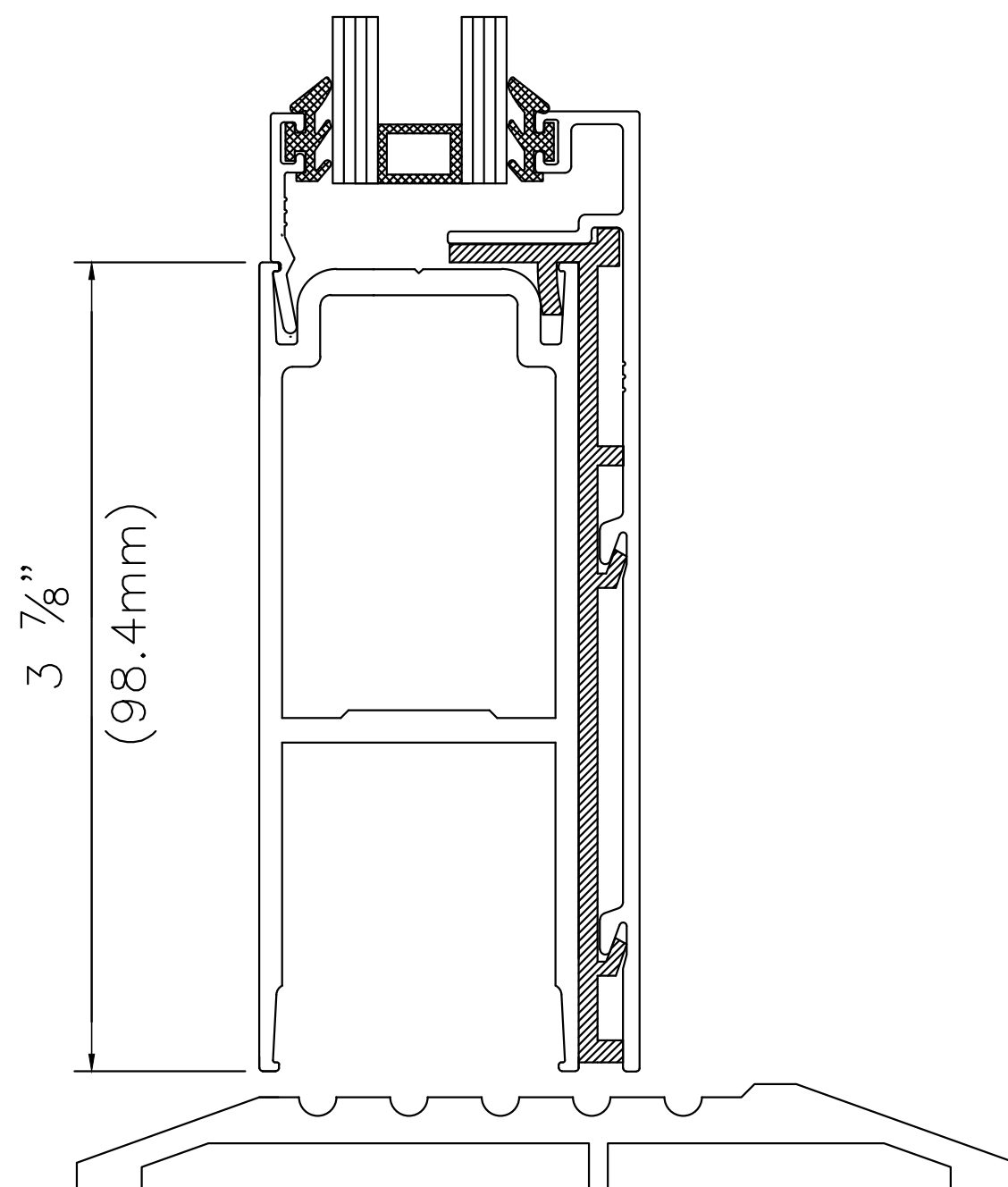
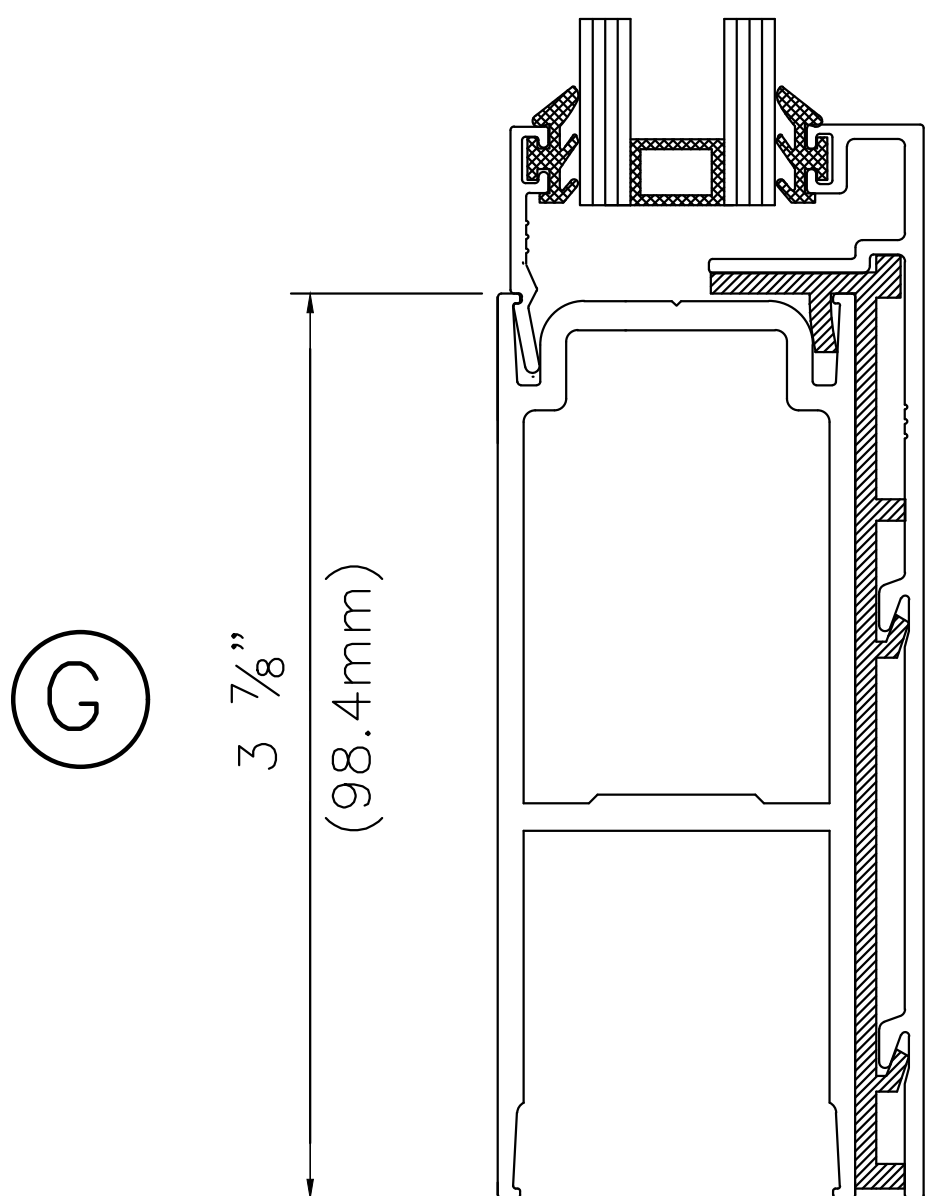
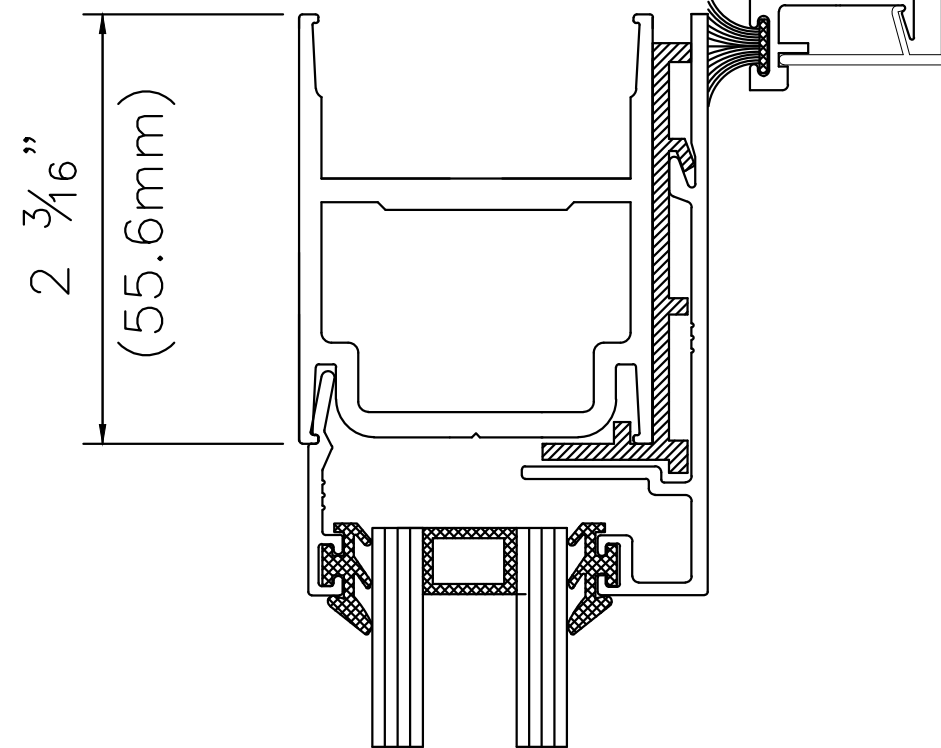
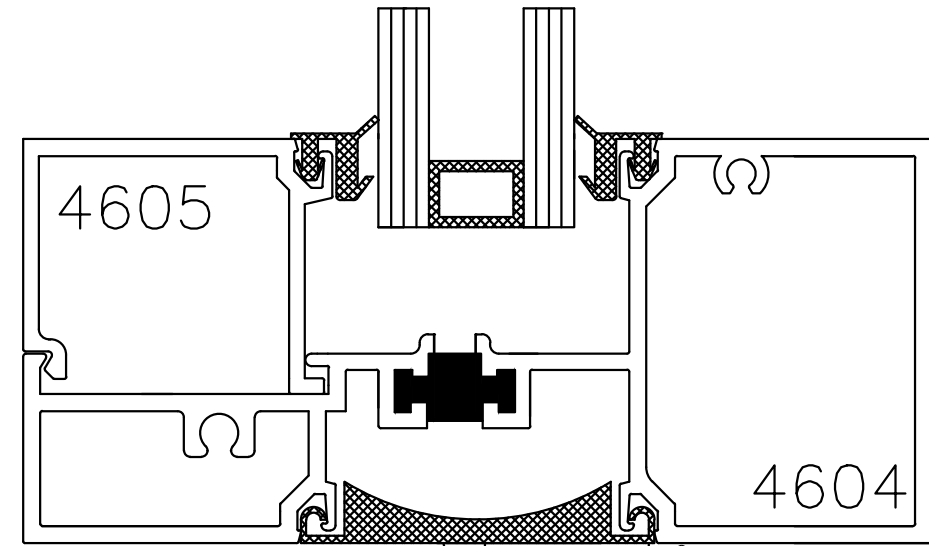
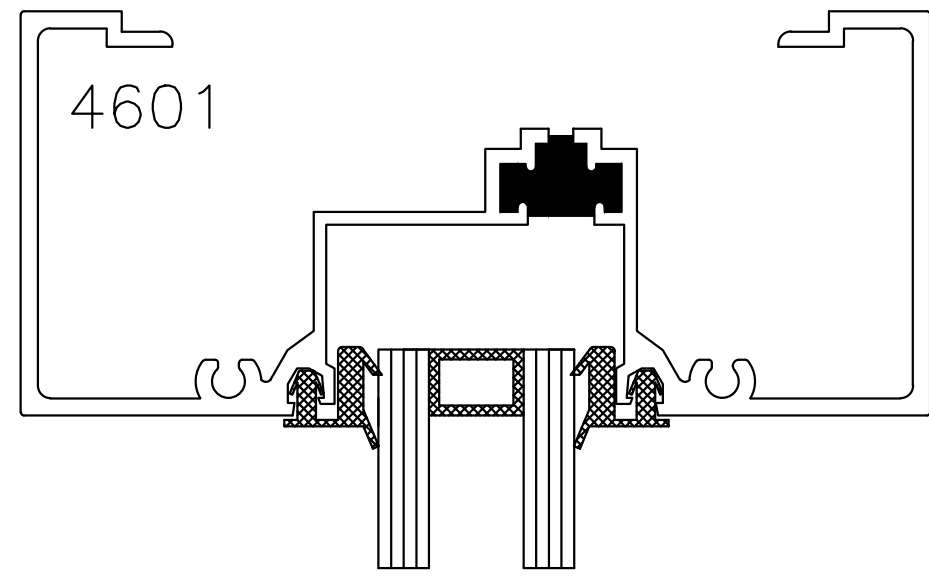
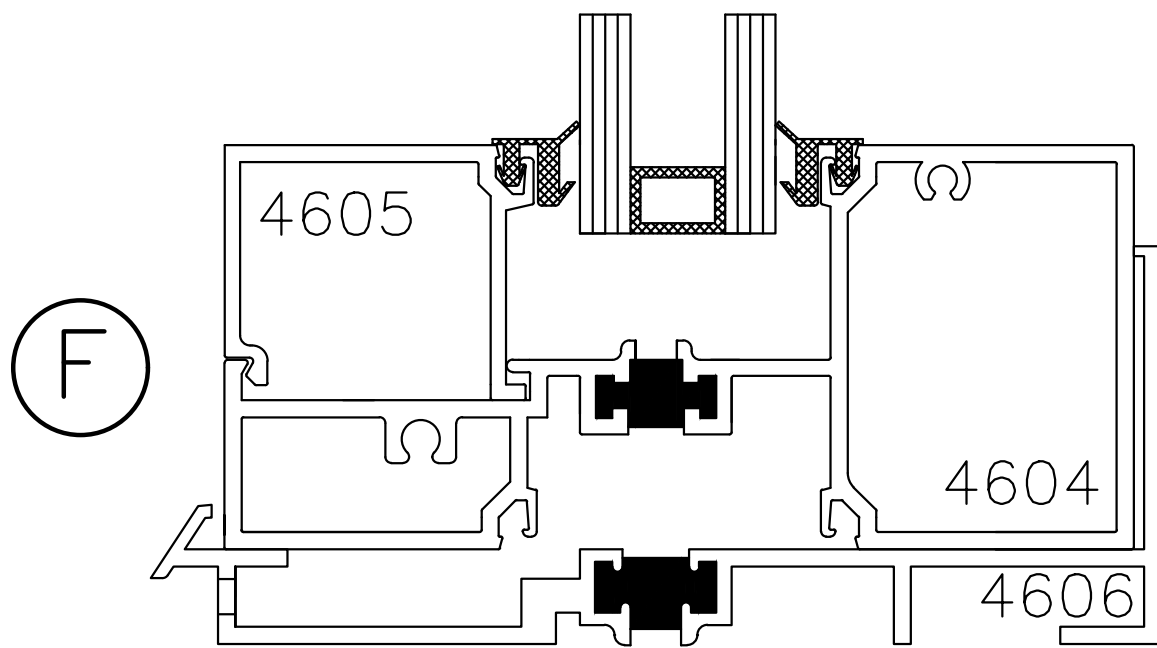
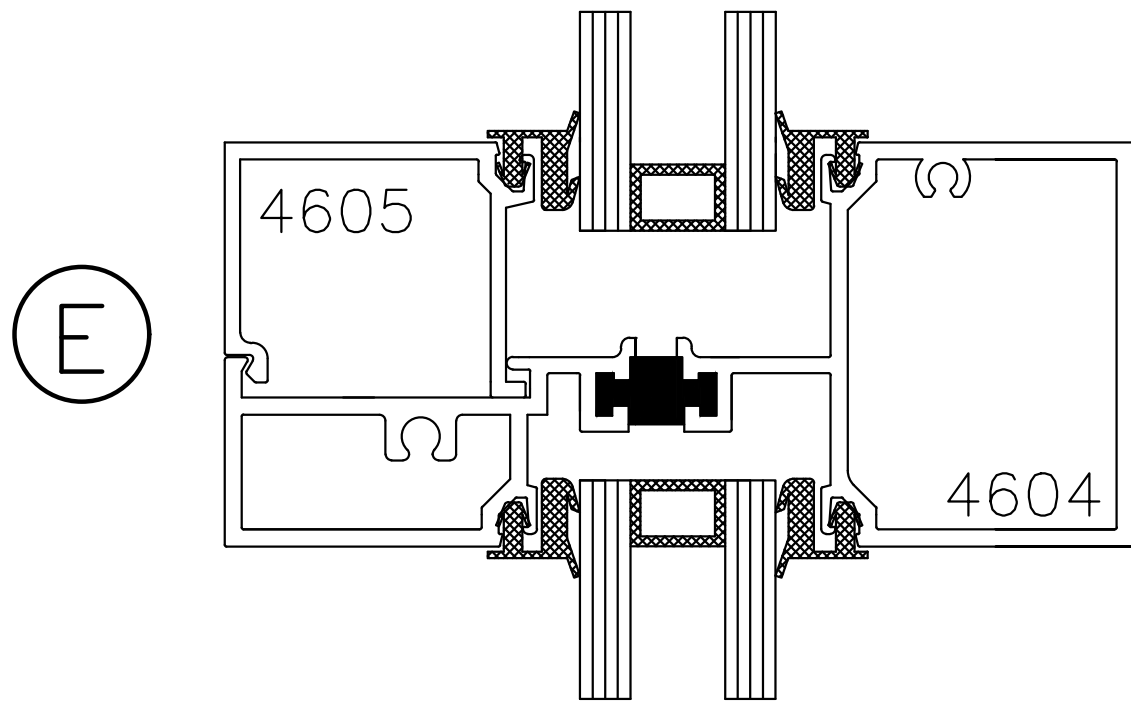
**COMMERCIAL DESIGN
SYSTEMS INC.**

DATE: AUGUST 2014
 TEL: (905) 738-0188
 FAX: (905) 738-6132
 E-MAIL: CDS2009@BELLNET.CA

PAGE:

C10

460 ENTRANCE FRAMING 210 INSUL DOORS



**COMMERCIAL DESIGN
SYSTEMS INC.**

DATE: AUGUST 2014
 TEL: (905) 738-0188
 FAX: (905) 738-6132
 E-MAIL: CDS2009@BELLNET.CA

PAGE:

C11