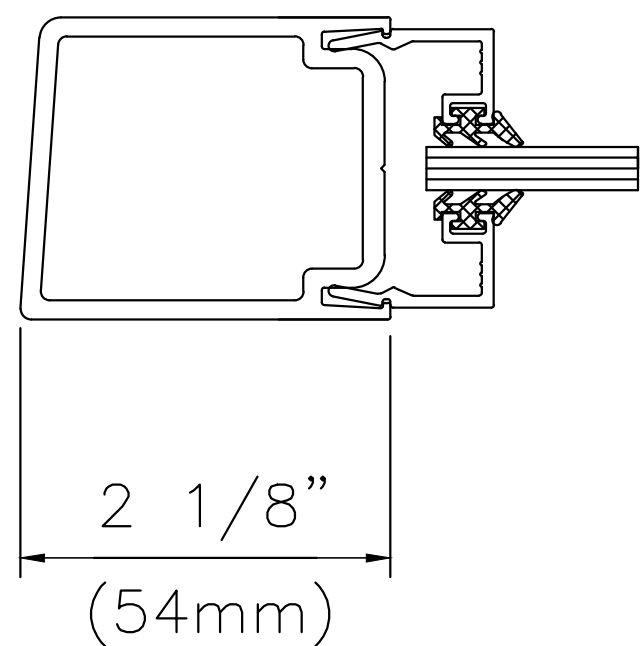
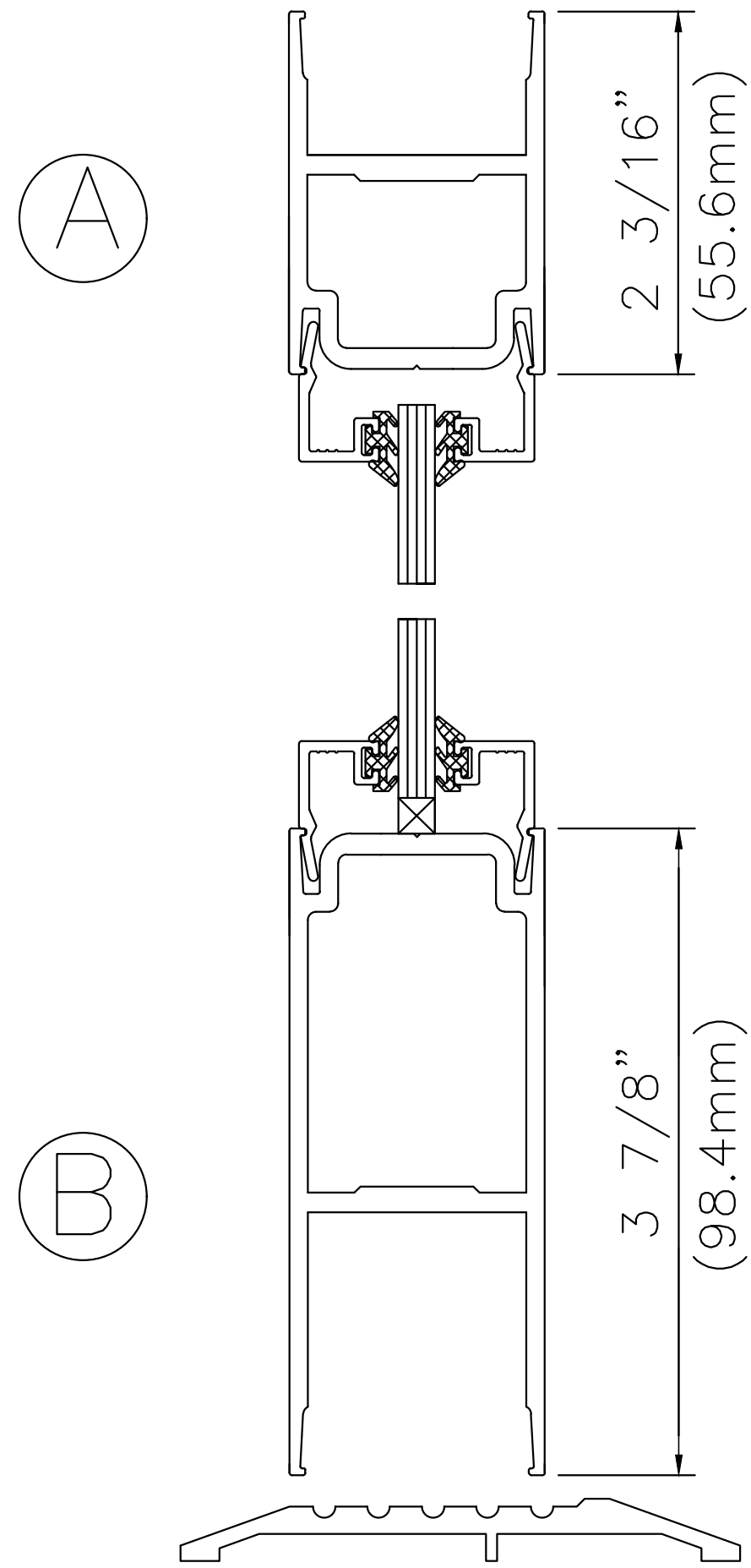
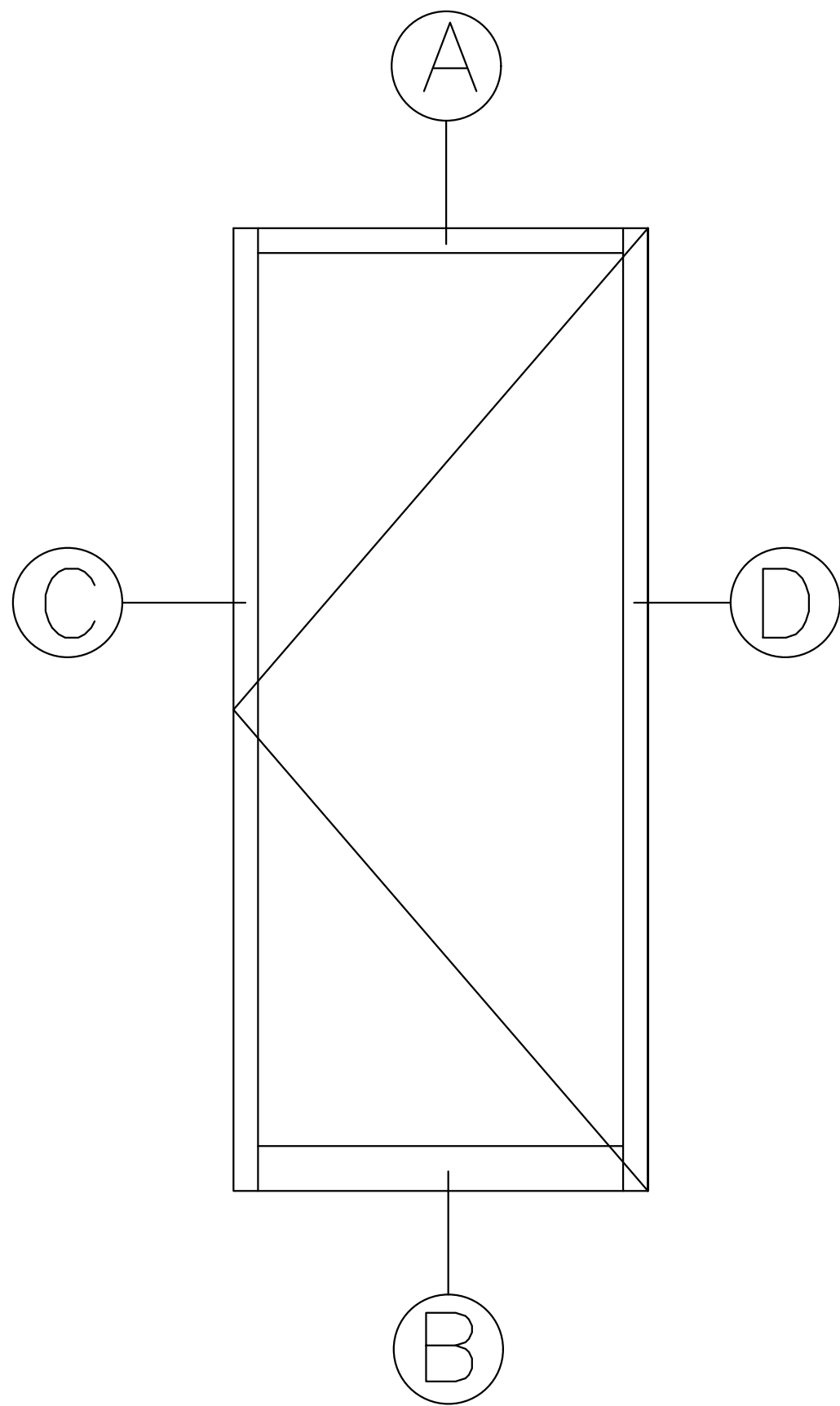
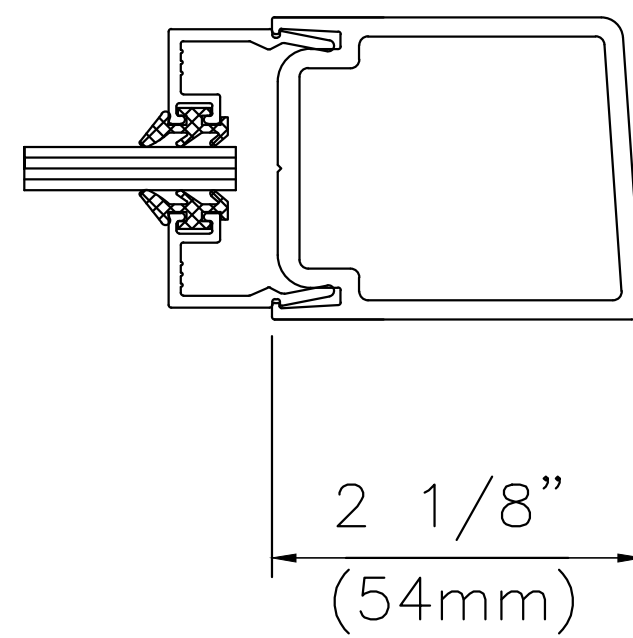


# 210 NARROW STILE DOORS



(C)



(D)

FOR STANDARD DOOR SIZE:  
GLASS SIZE:  $31 \frac{1}{8}$ " X  $76 \frac{5}{8}$ "



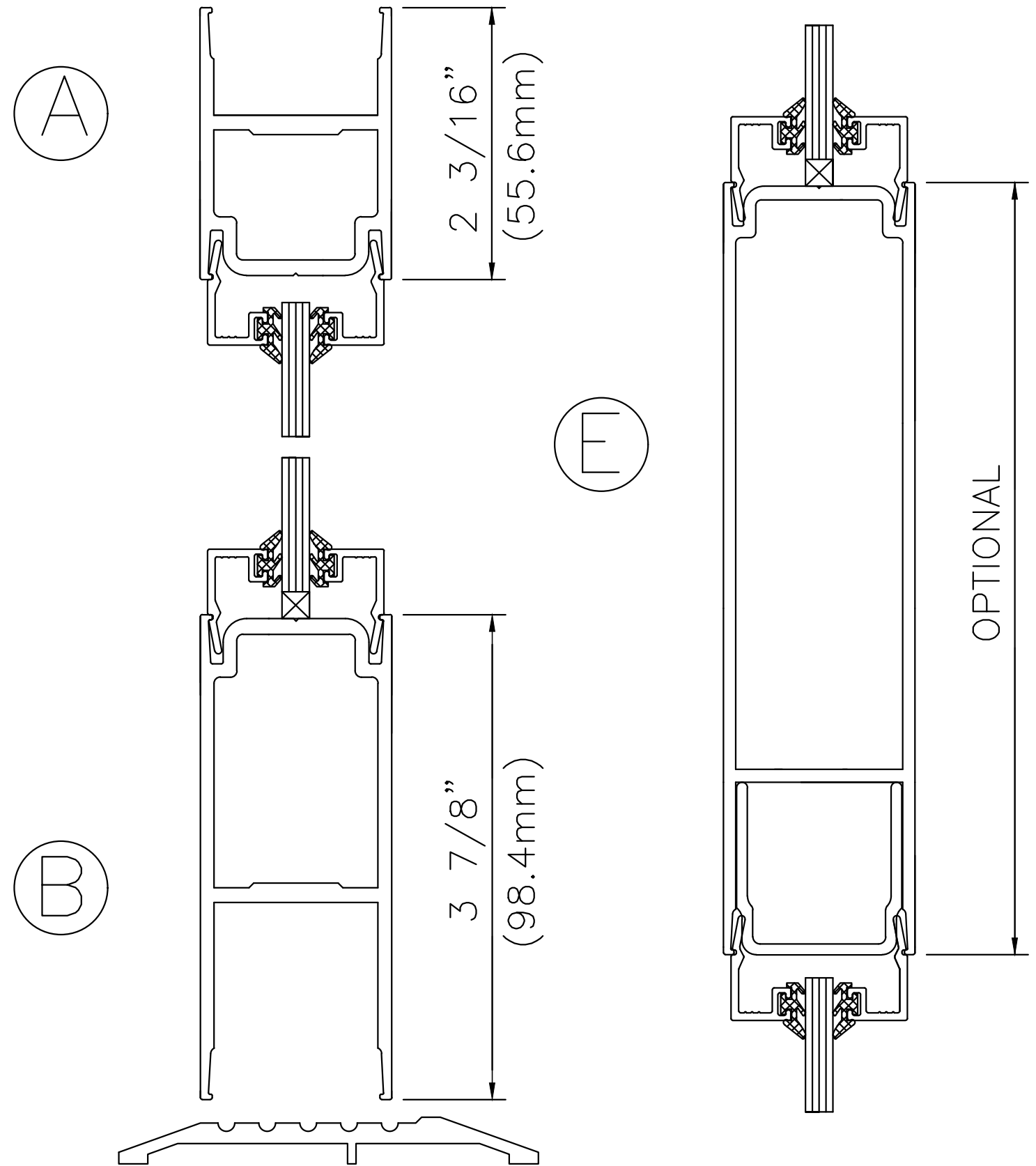
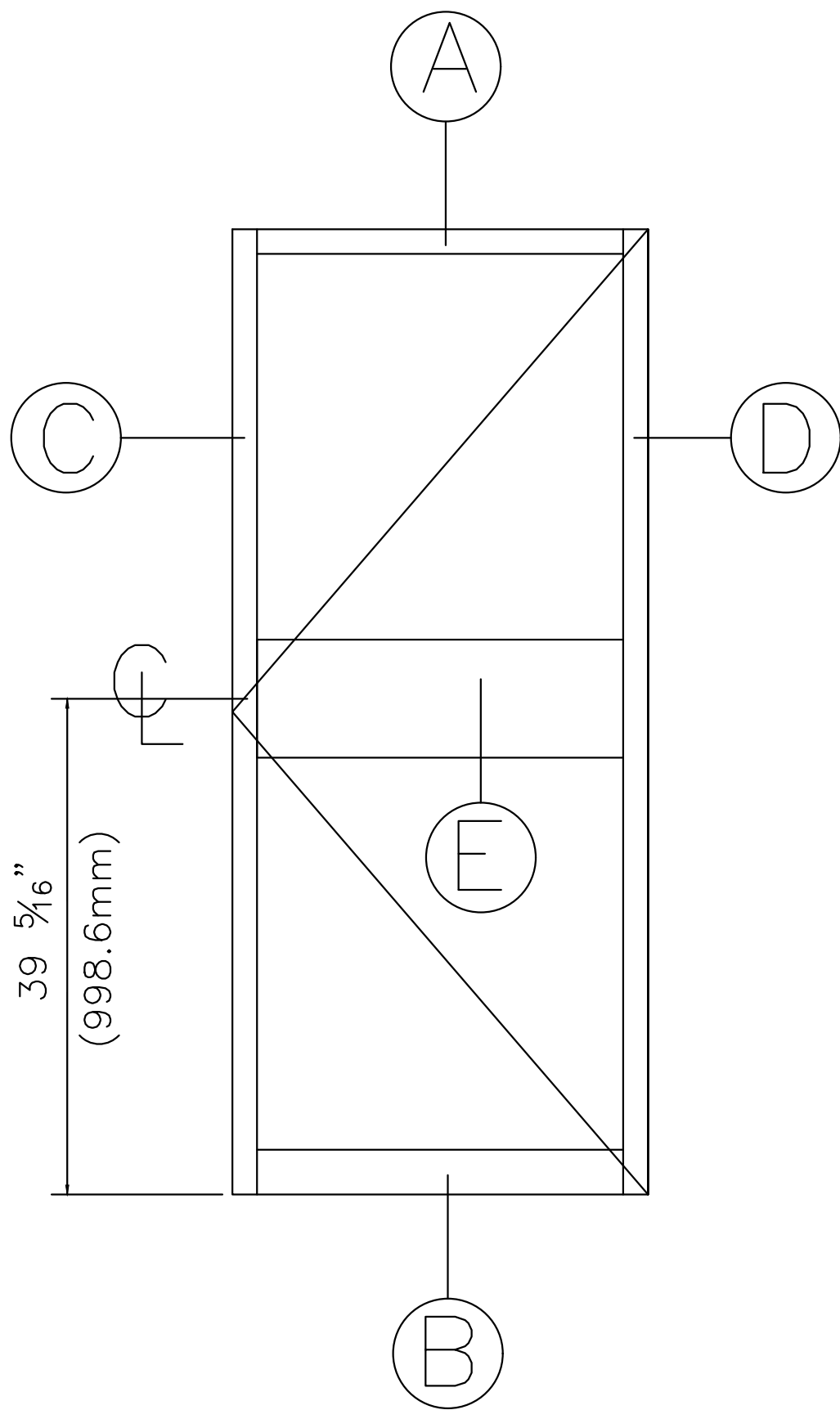
**COMMERCIAL DESIGN  
SYSTEMS INC.**

DATE: AUGUST 2014  
TEL: (905) 738-0188  
FAX: (905) 738-6132  
E-MAIL: CDS2009@BELLNET.CA

PAGE:

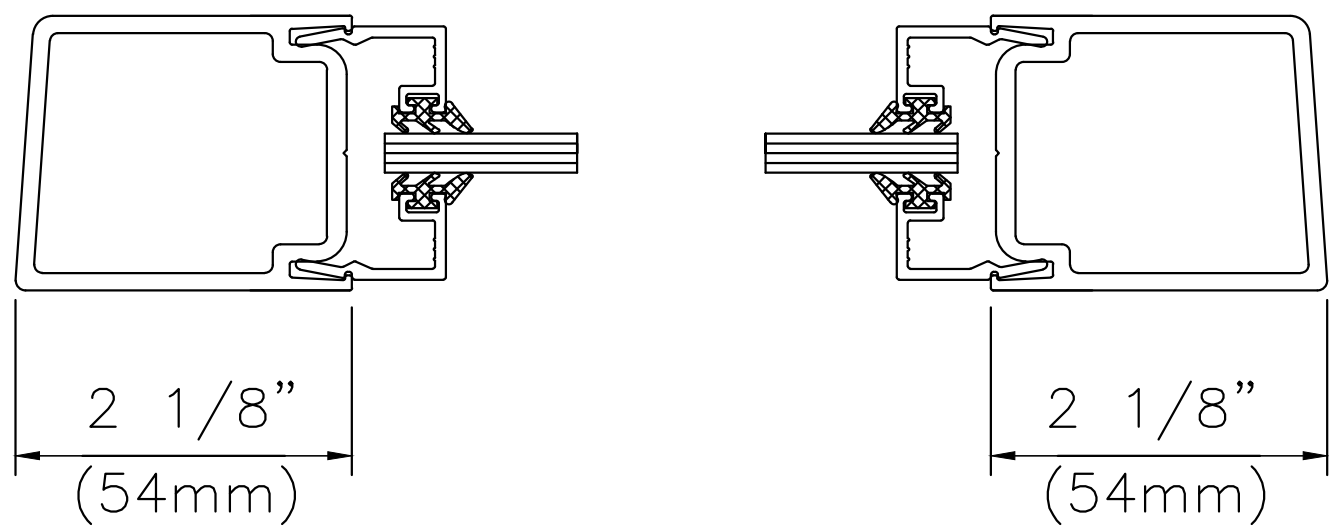
B1

# 210 NARROW STILE DOORS WITH MID-RAIL



GLASS SIZE WITH MID-RAIL:  
WITH STANDARD DOOR SIZE (3' X 7')

2 $\frac{3}{16}$ "	31 $\frac{1}{8}$ " X 33 $\frac{7}{8}$ " (BOTTOM)
	31 $\frac{1}{8}$ " X 40 $\frac{1}{8}$ " (TOP)
3 $\frac{7}{8}$ "	31 $\frac{1}{8}$ " X 33" (BOTTOM)
	31 $\frac{1}{8}$ " X 39 $\frac{1}{4}$ " (TOP)
5 $\frac{3}{8}$ "	31 $\frac{1}{8}$ " X 32 $\frac{1}{4}$ " (BOTTOM)
	31 $\frac{1}{8}$ " X 38 $\frac{1}{2}$ " (TOP)
7"	31 $\frac{1}{8}$ " X 31 $\frac{7}{16}$ " (BOTTOM)
	31 $\frac{1}{8}$ " X 37 $\frac{11}{16}$ " (TOP)
8"	31 $\frac{1}{8}$ " X 30 $\frac{15}{16}$ " (BOTTOM)
	31 $\frac{1}{8}$ " X 37 $\frac{3}{16}$ " (TOP)
10"	31 $\frac{1}{8}$ " X 29 $\frac{15}{16}$ " (BOTTOM)
	31 $\frac{1}{8}$ " X 36 $\frac{3}{16}$ " (TOP)



(C)

(D)



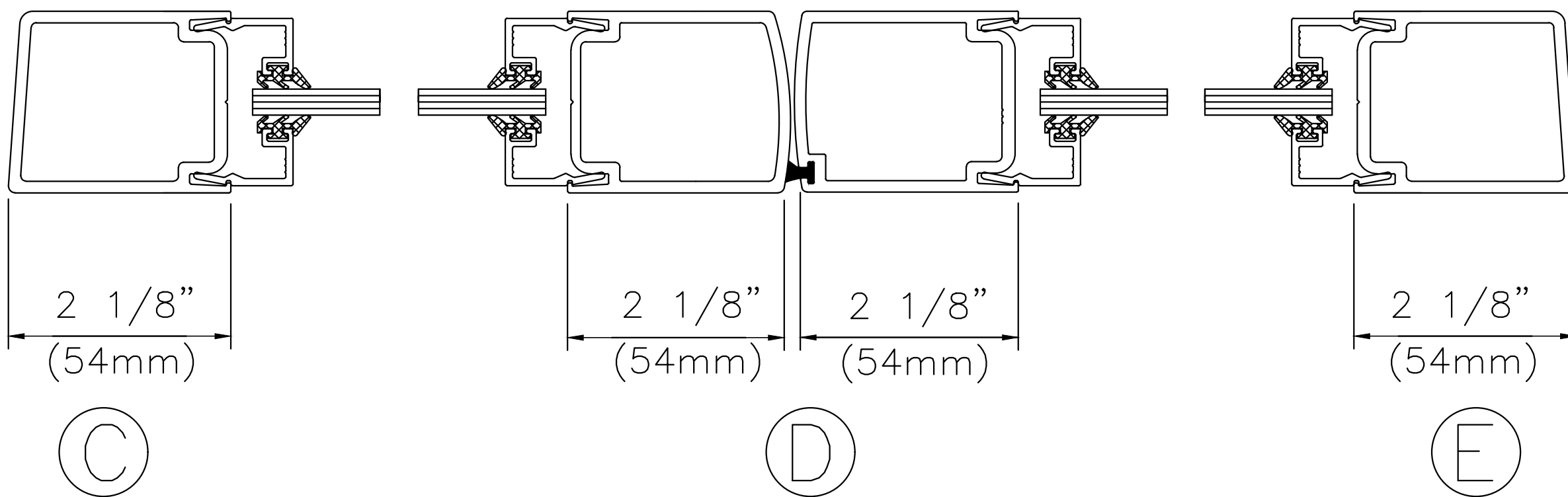
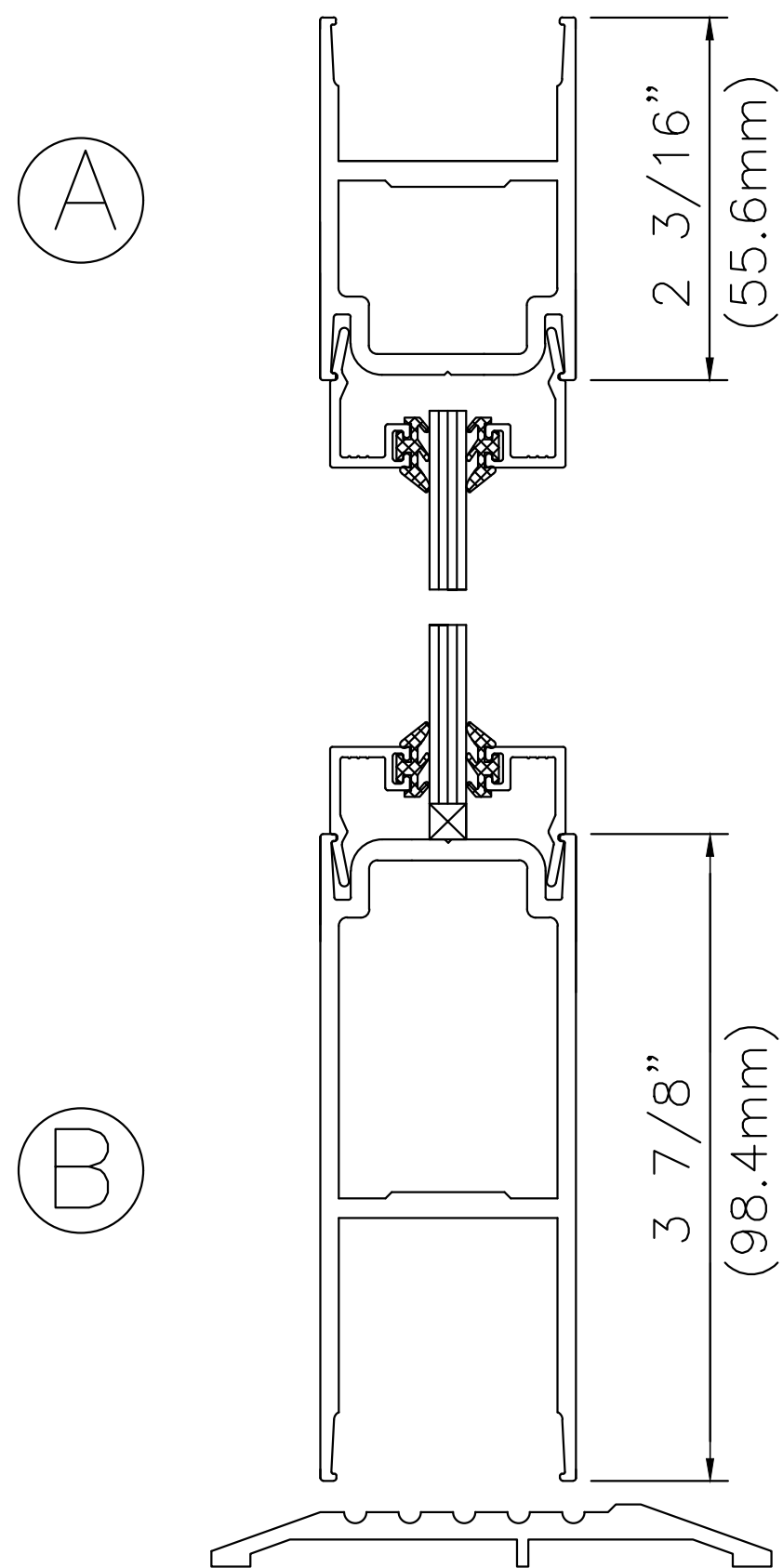
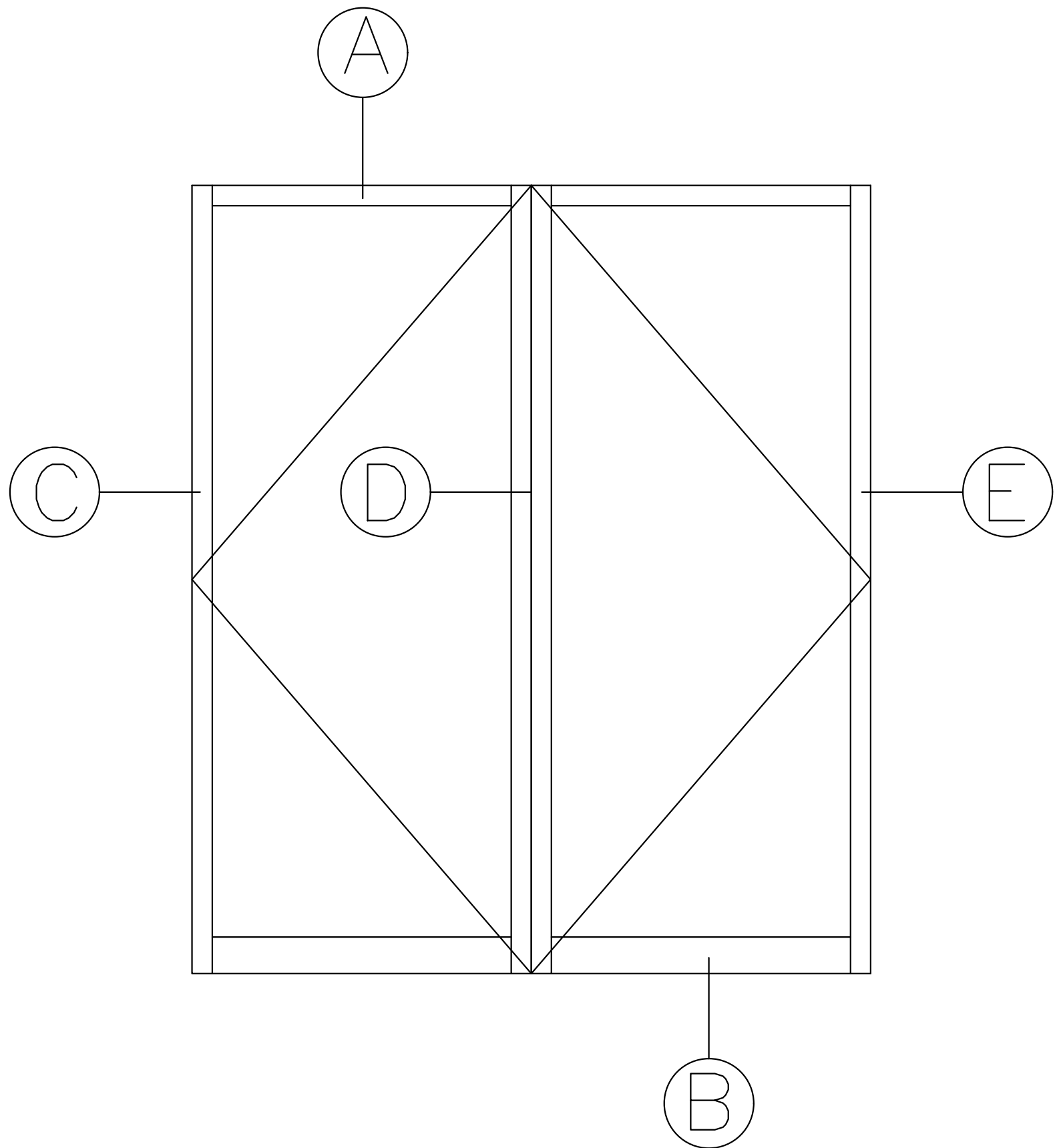
**COMMERCIAL DESIGN  
SYSTEMS INC.**

DATE: AUGUST 2014  
 TEL: (905) 738-0188  
 FAX: (905) 738-6132  
 E-MAIL: CDS2009@BELLNET.CA

PAGE:

B2

# 210 NARROW STILE PAIR DOORS



FOR STANDARD DOOR SIZE:  
GLASS SIZE:  $31 \frac{1}{8}$ " X  $76 \frac{5}{8}$ "



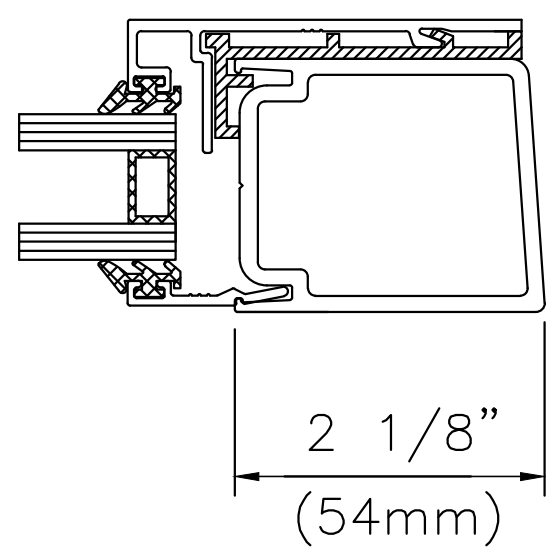
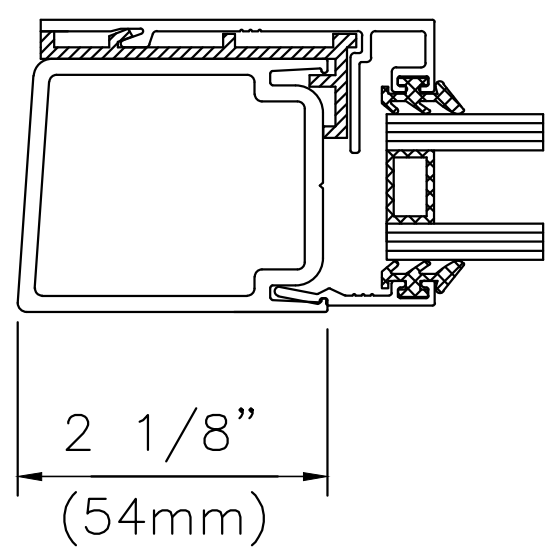
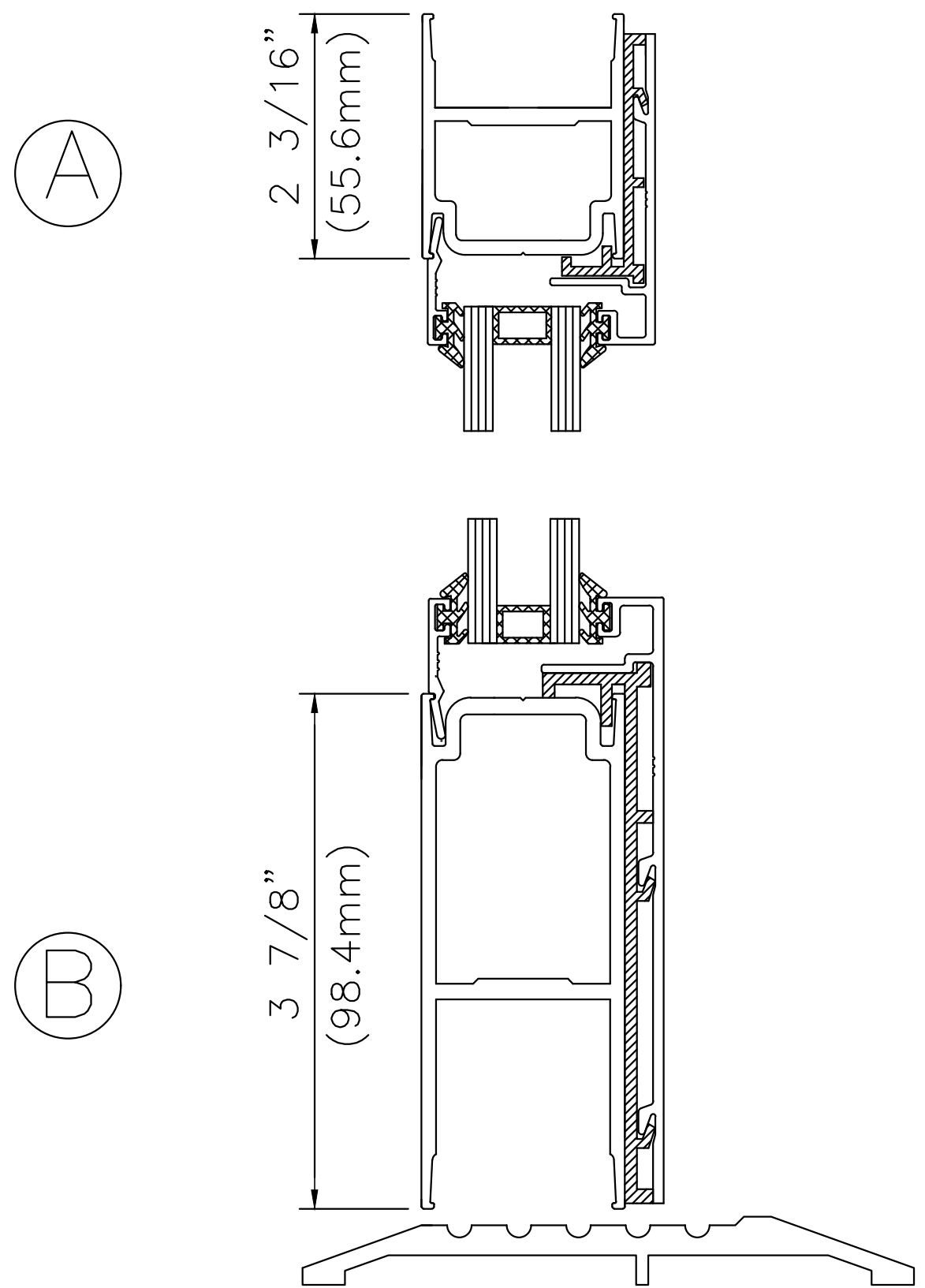
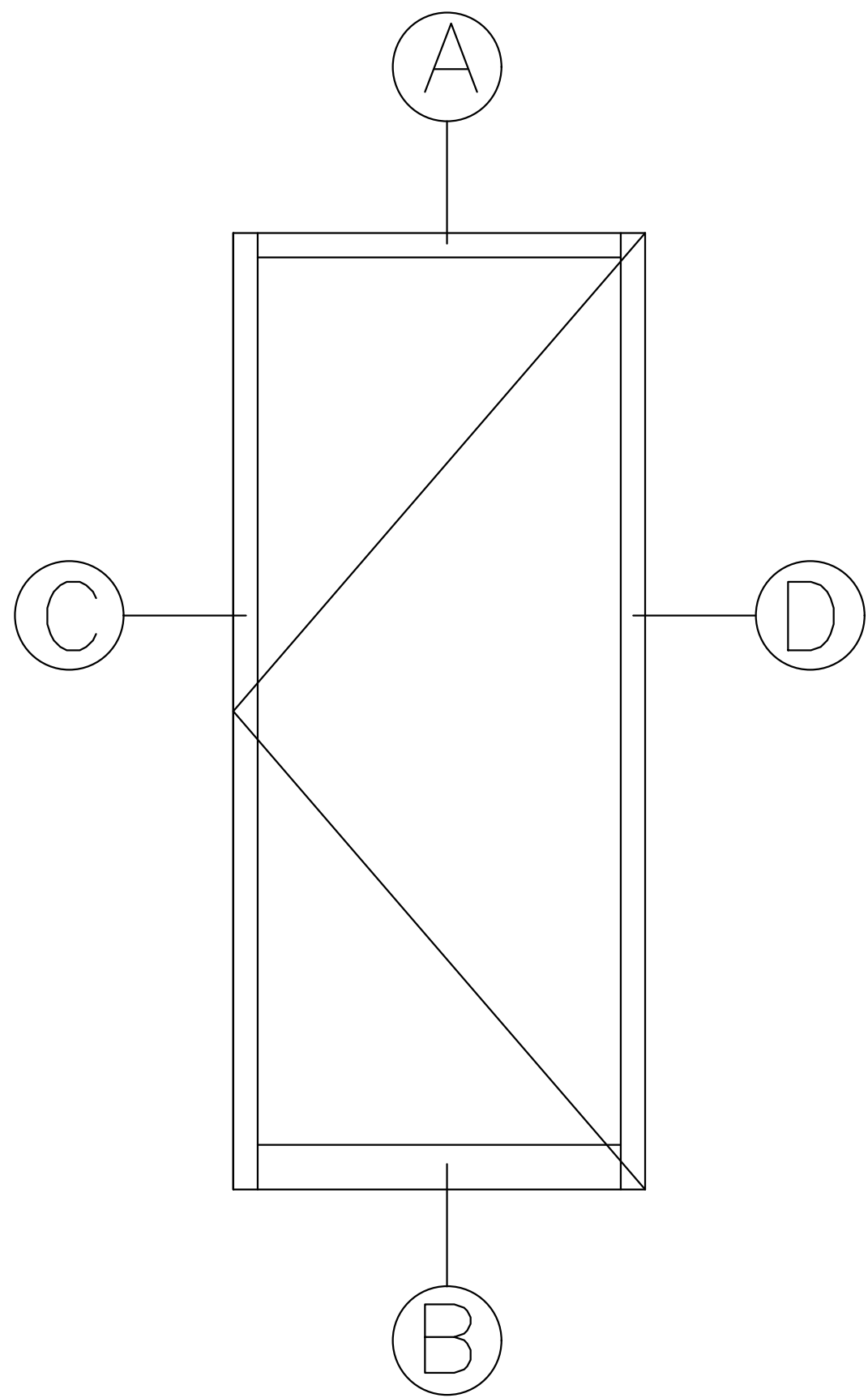
**COMMERCIAL DESIGN  
SYSTEMS INC.**

DATE: AUGUST 2014  
TEL: (905) 738-0188  
FAX: (905) 738-6132  
E-MAIL: CDS2009@BELLNET.CA

PAGE:

B3

# 210 NARROW STILE INSULATED DOORS



(C)

(D)

FOR STANDARD DOOR SIZE  
GLASS SIZE: S/U AT  $30 \frac{7}{8}$ " X  $76 \frac{7}{16}$ "



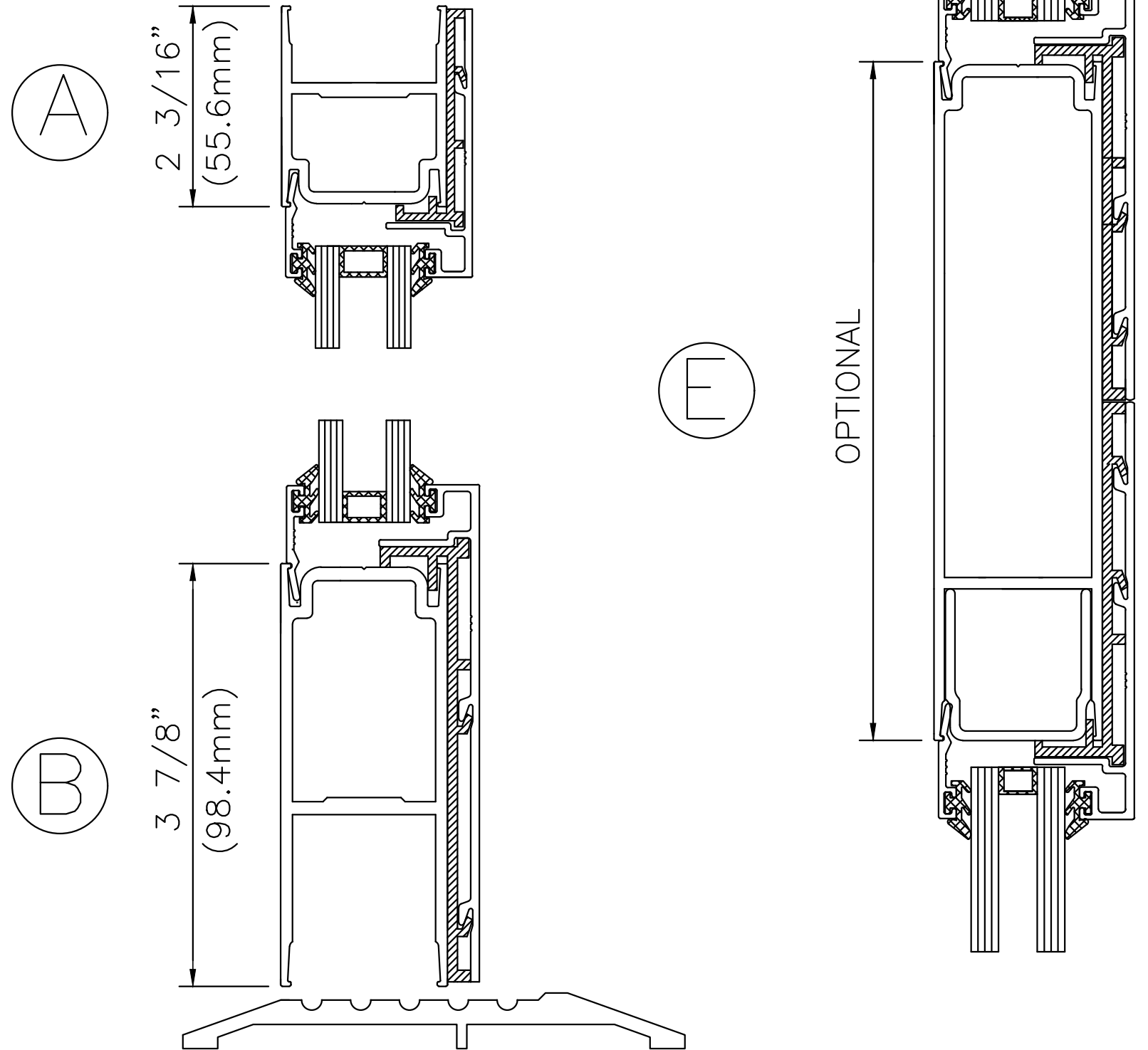
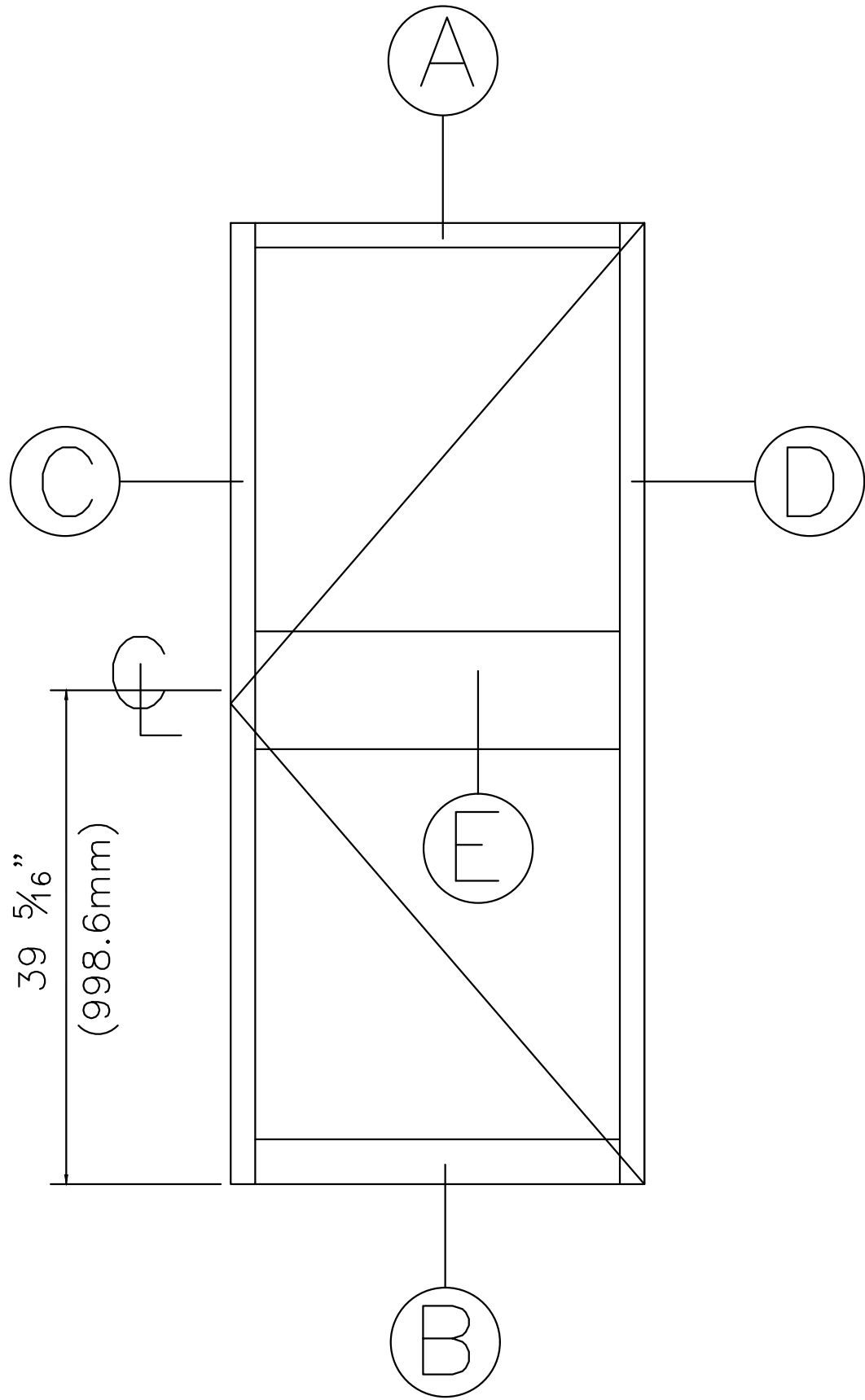
**COMMERCIAL DESIGN  
SYSTEMS INC.**

DATE: AUGUST 2014  
TEL: (905) 738-0188  
FAX: (905) 738-6132  
E-MAIL: CDS2009@BELLNET.CA

PAGE:

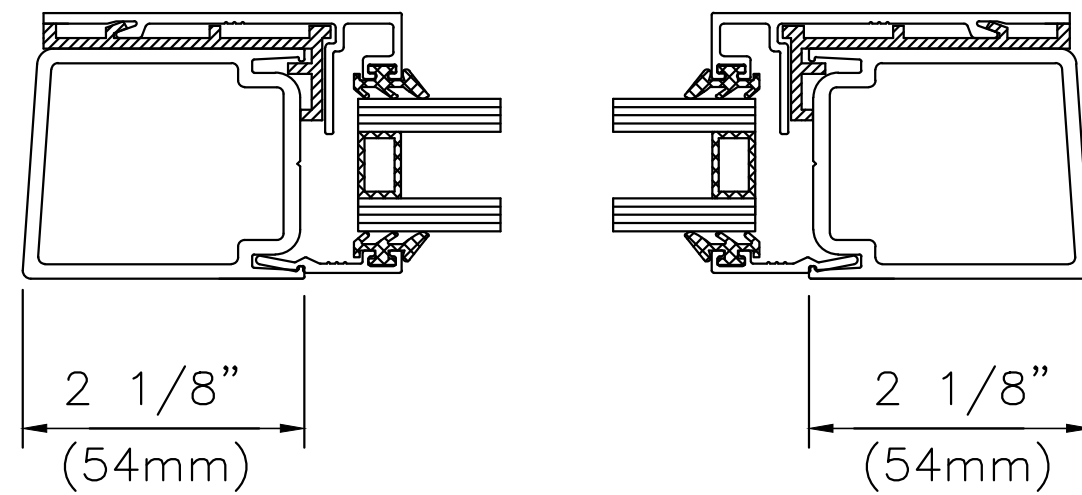
B4

# 210 NARROW STILE INSULATED DOORS WITH MID-RAIL



GLASS SIZE WITH CENTER RAIL:  
WITH STANDARD DOOR SIZE  
(3' X 7')

2 $\frac{3}{16}$ "	30 $\frac{7}{8}$ " X 33 $\frac{11}{16}$ " (BOTTOM)
	30 $\frac{7}{8}$ " X 39 $\frac{15}{16}$ " (TOP)
3 $\frac{7}{8}$ "	30 $\frac{7}{8}$ " X 32 $\frac{13}{16}$ " (BOTTOM)
	30 $\frac{7}{8}$ " X 39 $\frac{1}{16}$ " (TOP)
5 $\frac{3}{8}$ "	30 $\frac{7}{8}$ " X 32 $\frac{1}{16}$ " (BOTTOM)
	30 $\frac{7}{8}$ " X 38 $\frac{5}{16}$ " (TOP)
7"	30 $\frac{7}{8}$ " X 31 $\frac{1}{4}$ " (BOTTOM)
	30 $\frac{7}{8}$ " X 37 $\frac{1}{2}$ " (TOP)
8"	30 $\frac{7}{8}$ " X 30 $\frac{3}{4}$ " (BOTTOM)
	30 $\frac{7}{8}$ " X 37" (TOP)
10"	30 $\frac{7}{8}$ " X 29 $\frac{3}{4}$ " (BOTTOM)
	30 $\frac{7}{8}$ " X 36" (TOP)



(C)

(D)



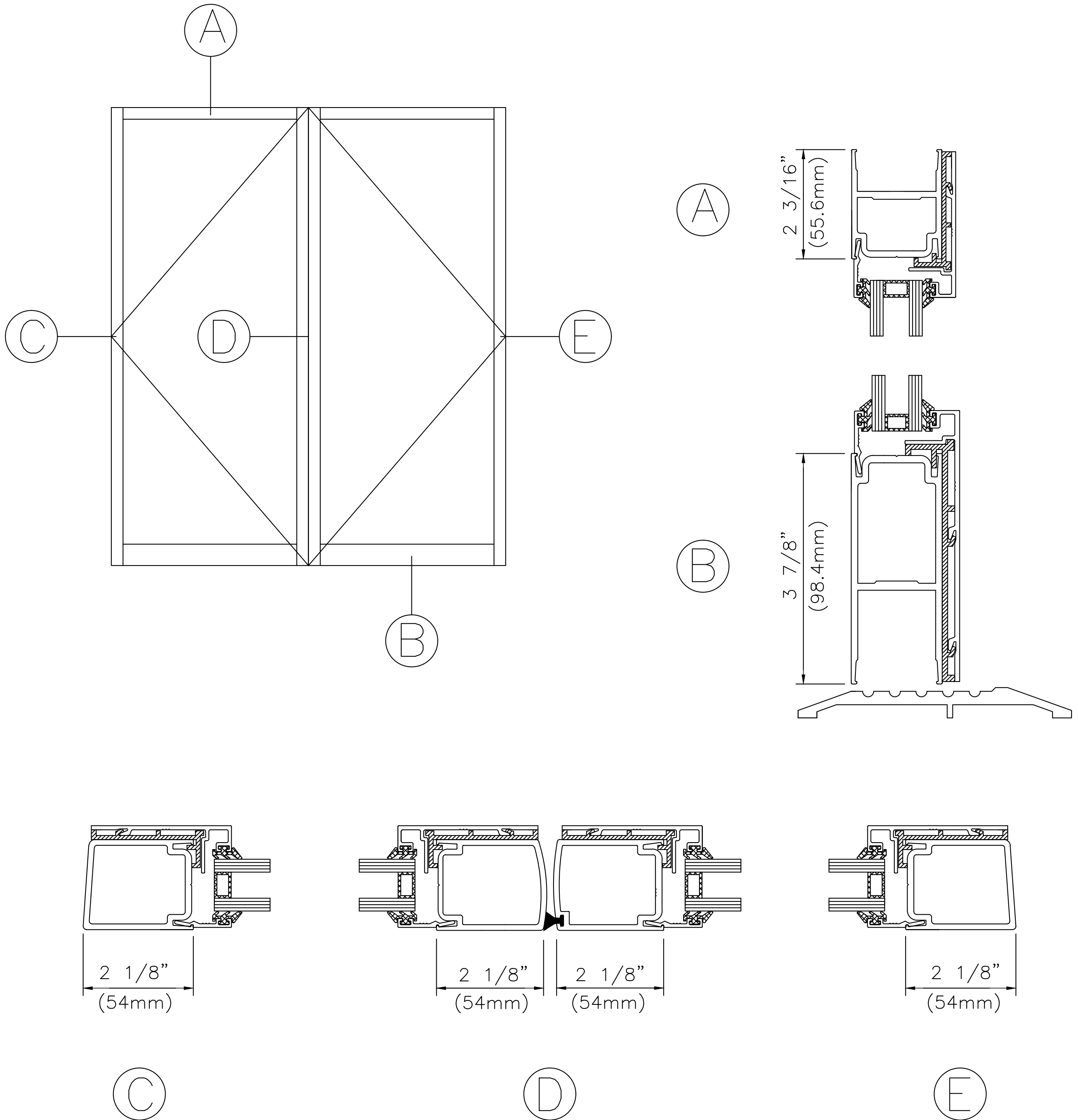
**COMMERCIAL DESIGN  
SYSTEMS INC.**

DATE: AUGUST 2014  
 TEL: (905) 738-0188  
 FAX: (905) 738-6132  
 E-MAIL: CDS2009@BELLNET.CA

PAGE:

B5

# 210 NARROW STILE INSULATED PAIR DOORS



GLASS SIZE: 2 S/U AT  $30 \frac{7}{8}$ " X  $76 \frac{7}{16}$ "



**COMMERCIAL DESIGN  
SYSTEMS INC.**

DATE: AUGUST 2014  
 TEL: (905) 738-0188  
 FAX: (905) 738-6132  
 E-MAIL: CDS2009@BELLNET.CA

PAGE:

B6