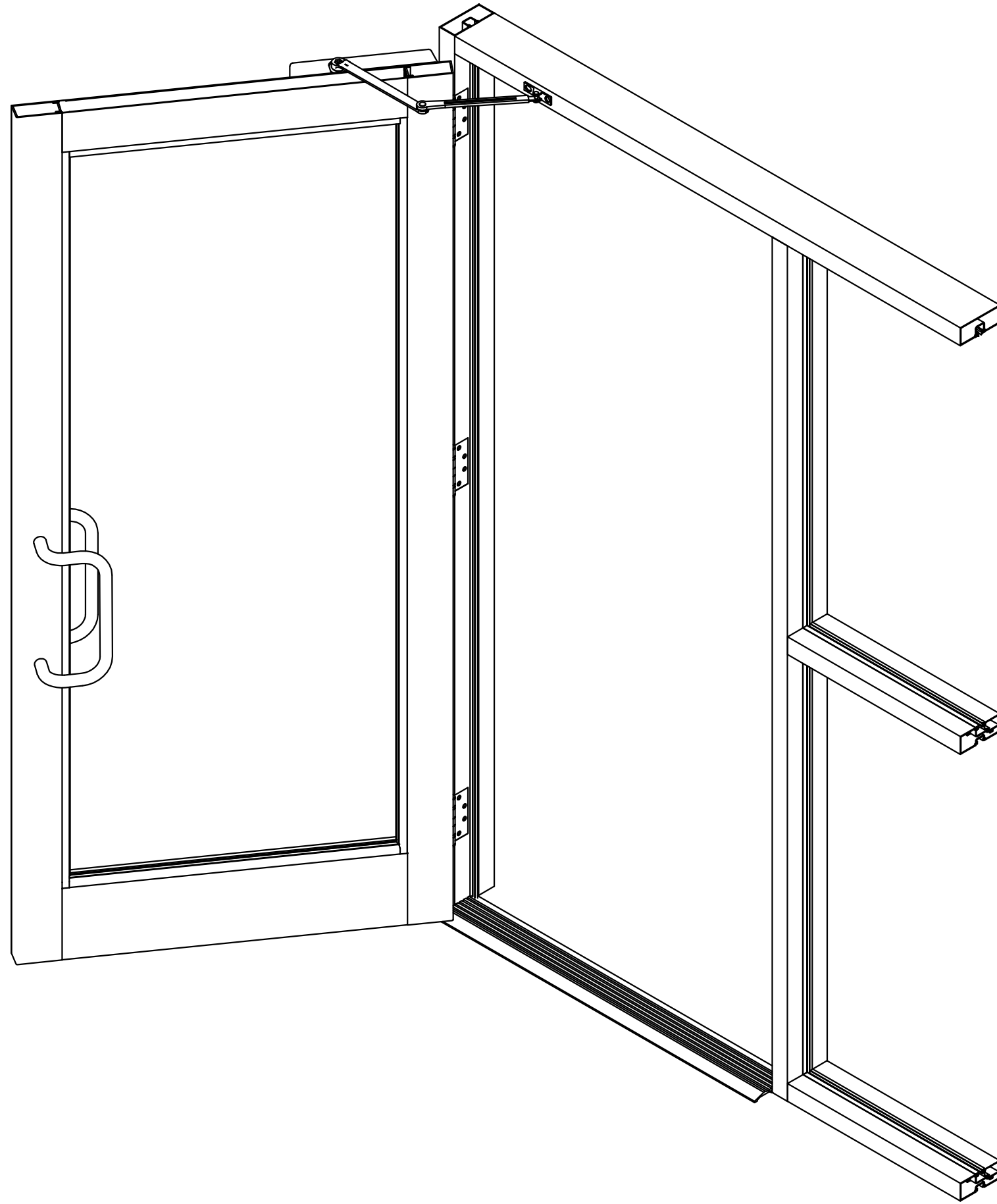


450 ENTRANCE FRAMING INFORMATION



DESCRIPTION:

IT IS A NON-THERMALLY BROKEN SYSTEM. ENTRANCE FRAMING DIMENSIONS ARE $1 \frac{3}{4}$ " X $4 \frac{1}{2}$ ".

FINISH:

STOCKED:

CLEAR ANODIZED (#17)
STANDARD BRONZE (#40)

NON-STOCKED*:

CLEAR ANODIZED (#14)
LIGHT BRONZE (#26)
BLACK ANODIZED (#29)

*PAINT FINISHES ARE AVAILABLE UPON REQUEST

STOCK LENGTH:

24'(7.31M)

GLAZING:

450 SERIES ACCEPTS $\frac{1}{4}$ "(6mm) GLAZING UNITS



COMMERCIAL DESIGN
SYSTEMS INC.




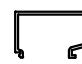
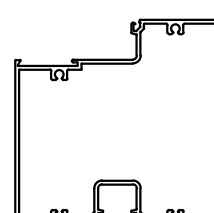
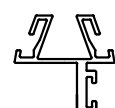

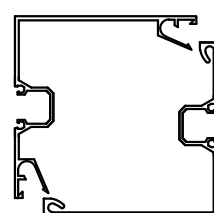
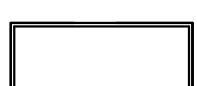
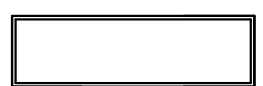
DATE: AUGUST 2014
TEL: (905) 738-0188
FAX: (905) 738-6132
E-MAIL: CDS2009@BELLNET.CA

PAGE:

B1

SERIES 450 ENTRANCE FRAMING (NON-THERMAL)

44.5MM X 114.3MM (1 $\frac{3}{4}$ " X 4 $\frac{1}{2}$ ")

PART	PART NO	DESCRIPTION	FINISH
	4502	CLOSED BACK FRAME 7.3 (24' - 0")	STOCKED CLEAR ANODIZED(2) STANDARD BRONZED ANODIZED(3)
			NOT STOCKED LIGHT BRONZED ANODIZED(5) BLACK ANODIZED(6)
	4503	DOUBLE POCKET MULLION 7.3 (24' - 0")	STOCKED CLEAR ANODIZED(2) STANDARD BRONZED ANODIZED(3)
			NOT STOCKED LIGHT BRONZED ANODIZED(5) BLACK ANODIZED(6)
	4504	HORIZONTAL 7.3 (24' - 0")	STOCKED CLEAR ANODIZED(2) STANDARD BRONZED ANODIZED(3)
			NOT STOCKED LIGHT BRONZED ANODIZED(5) BLACK ANODIZED(6)
	4505	SQUARE SNAP-IN GLASS STOP 7.3 (24' - 0")	STOCKED CLEAR ANODIZED(2) STANDARD BRONZED ANODIZED(3)
			NOT STOCKED LIGHT BRONZED ANODIZED(5) BLACK ANODIZED(6)
	4508	FLUSH GLAZING HORIZONTAL SILL 7.3 (24' - 0")	STOCKED CLEAR ANODIZED(2) STANDARD BRONZED ANODIZED(3)
			NOT STOCKED LIGHT BRONZED ANODIZED(5) BLACK ANODIZED(6)
	4510	BLADE DOOR STOP 7.3 (24' - 0")	STOCKED CLEAR ANODIZED(2) STANDARD BRONZED ANODIZED(3)
			NOT STOCKED LIGHT BRONZED ANODIZED(5) BLACK ANODIZED(6)
	4511	SNAP-IN FLAT FILLER 7.3 (24' - 0")	STOCKED CLEAR ANODIZED(2) STANDARD BRONZED ANODIZED(3)
			NOT STOCKED LIGHT BRONZED ANODIZED(5) BLACK ANODIZED(6)
	4512	FEMALE HALF CORNER MULLION 7.3 (24' - 0")	STOCKED CLEAR ANODIZED(2) STANDARD BRONZED ANODIZED(3)
	4513	MALE HALF CORNER MULLION 7.3 (24' - 0")	NOT STOCKED LIGHT BRONZED ANODIZED(5) BLACK ANODIZED(6)
	4514	1 $\frac{3}{4}$ " X 4 $\frac{1}{2}$ " PLAIN TUBE 7.3 (24' - 0")	STOCKED CLEAR ANODIZED(2) STANDARD BRONZED ANODIZED(3)
			NOT STOCKED LIGHT BRONZED ANODIZED(5) BLACK ANODIZED(6)
	4516	1 $\frac{3}{4}$ " X 6" PLAIN TUBE 7.3 (24' - 0")	STOCKED CLEAR ANODIZED(2) STANDARD BRONZED ANODIZED(3)
			NOT STOCKED LIGHT BRONZED ANODIZED(5) BLACK ANODIZED(6)

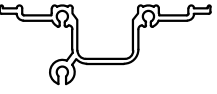
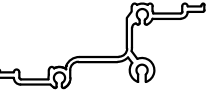


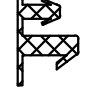
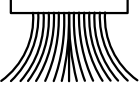


COMMERCIAL DESIGN
SYSTEMS INC.

DATE: AUGUST 2014
 TEL: (905) 738-0188
 FAX: (905) 738-6132
 E-MAIL: CDS2009@BELLNET.CA

PAGE:
B2

SERIES 450 ENTRANCE FRAMING (NON-THERMAL)
 44.5MM X 114.3MM (1 $\frac{3}{4}$ " X 4 $\frac{1}{2}$ ")

PART	PART NO	DESCRIPTION	FINISH
	H4501	MULLION SHEAR BLOCK	STOCKED MILL ONLY
	H4502	SILL SHEAR BLOCK	STOCKED MILL ONLY
		PAN HEAD PHILLIPS SCREW #10 X 1 $\frac{3}{4}$ "	
		FLAT HEAD SQUARE SCREW 10-24 X $\frac{5}{8}$ "	
	R4502	GLAZING SPLINE FOR 1"(25.4MM) IMOT 500'	
	R4527	WEATHERSTRIP 1500'	



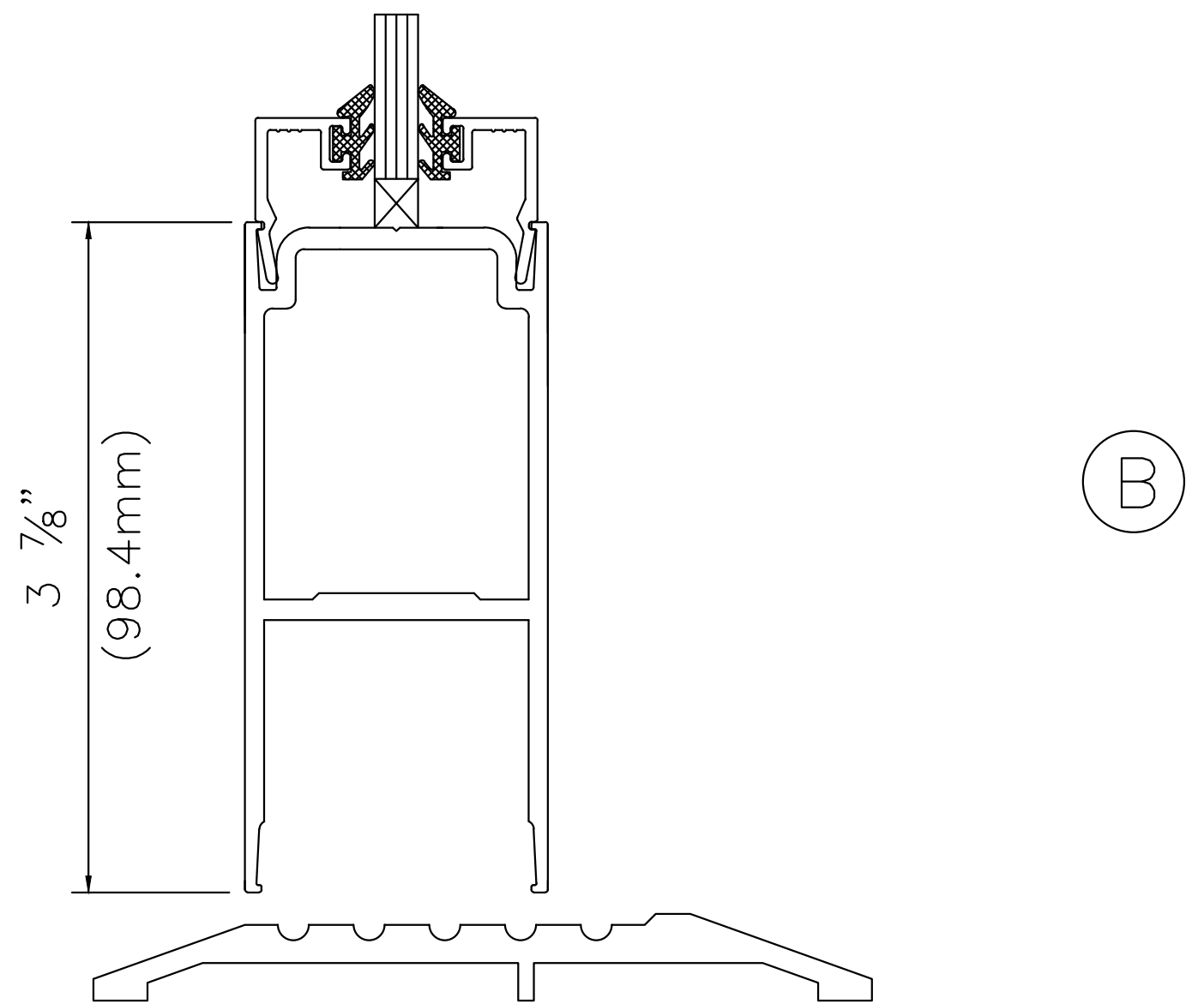
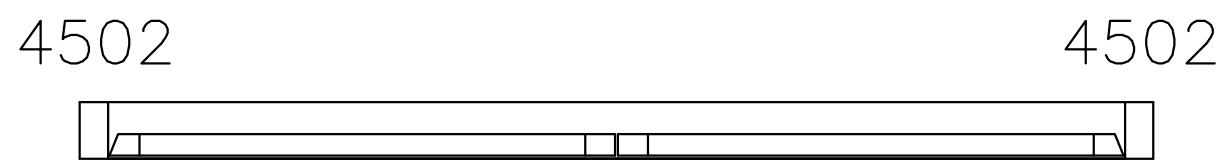
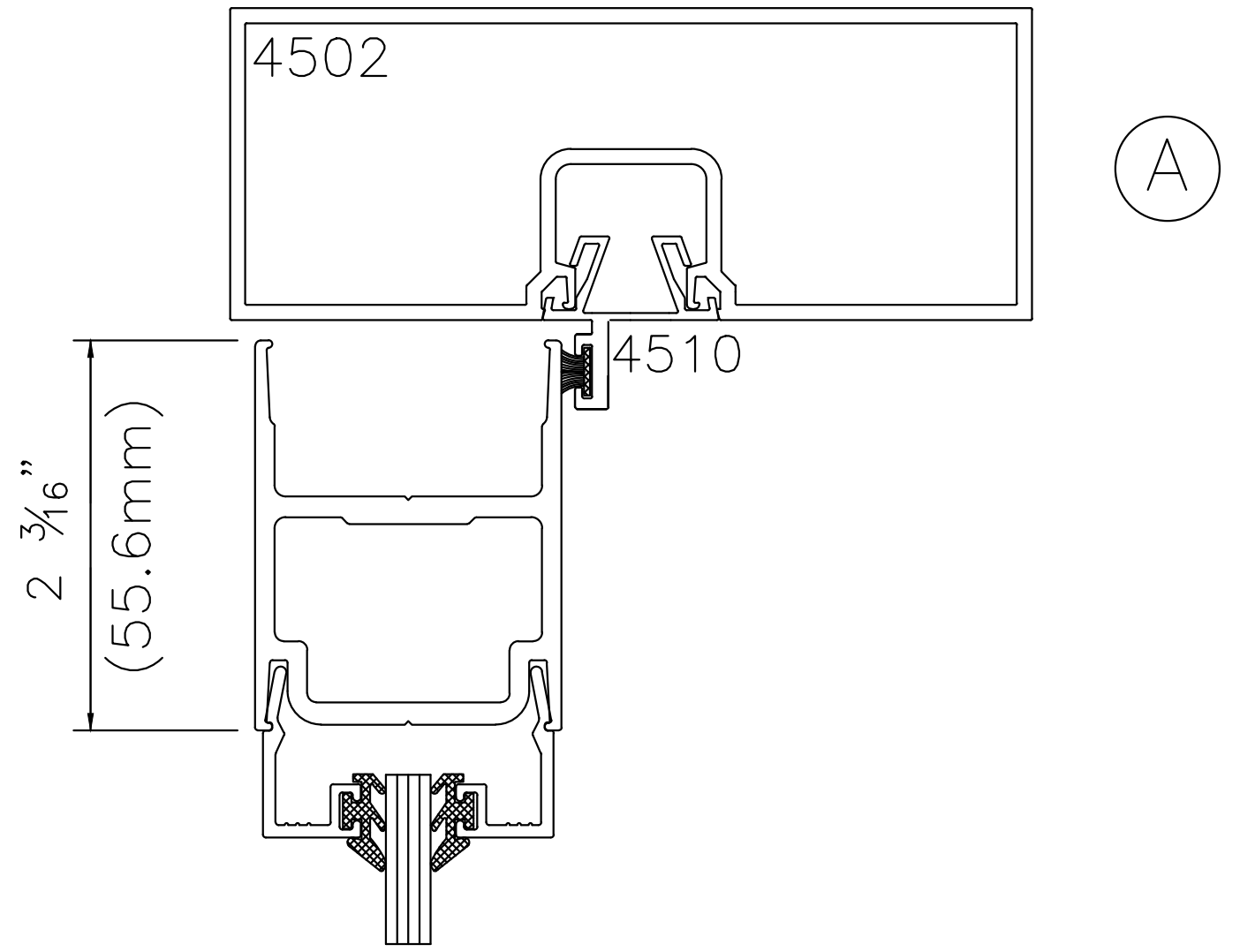
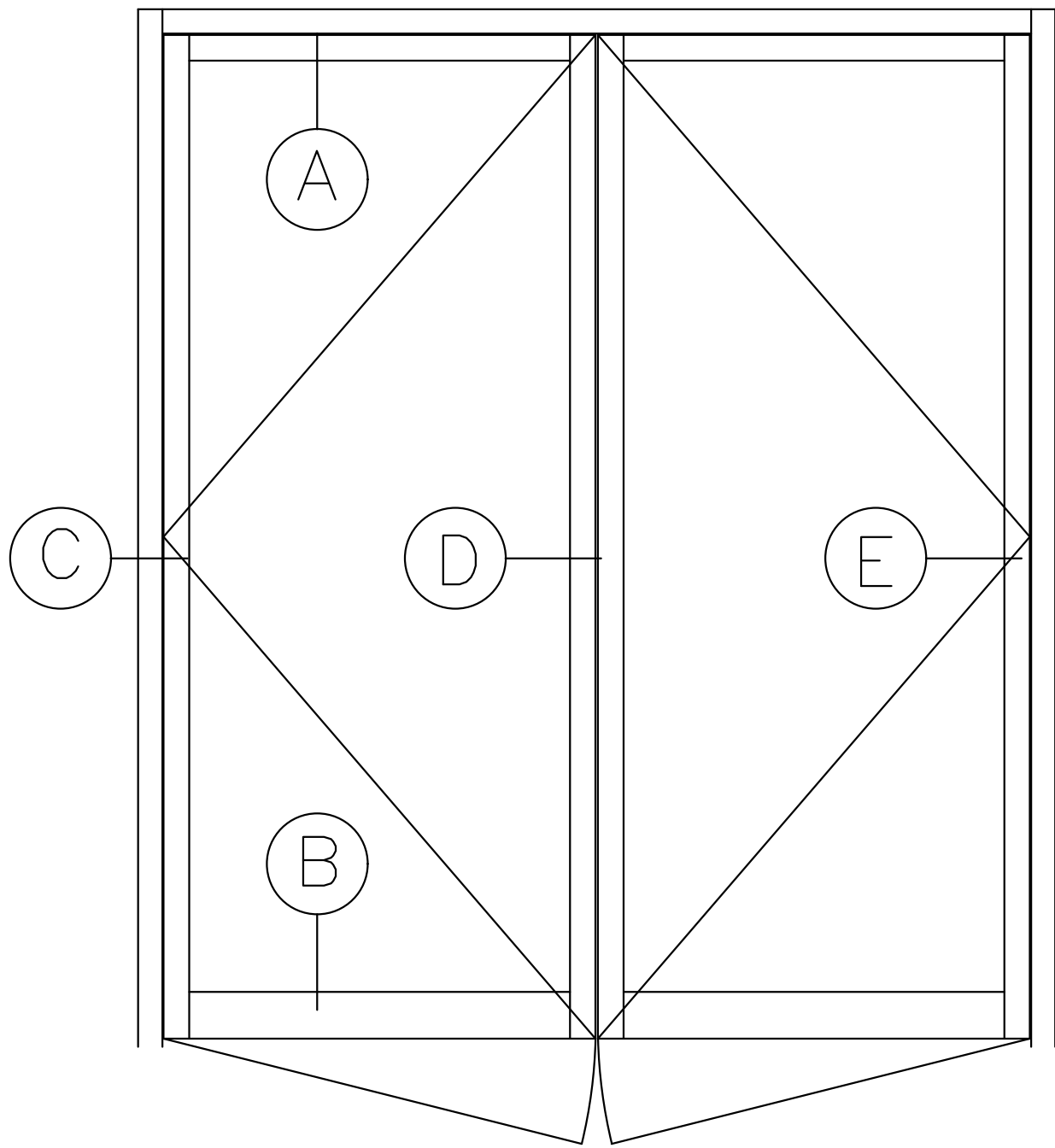
**COMMERCIAL DESIGN
SYSTEMS INC.**

DATE: AUGUST 2014
 TEL: (905) 738-0188
 FAX: (905) 738-6132
 E-MAIL: CDS2009@BELLNET.CA

PAGE:

B3

450 ENTRANCE FRAMING (1 $\frac{3}{4}$ "X4 $\frac{1}{2}$ ") WITH STANDARD DOOR



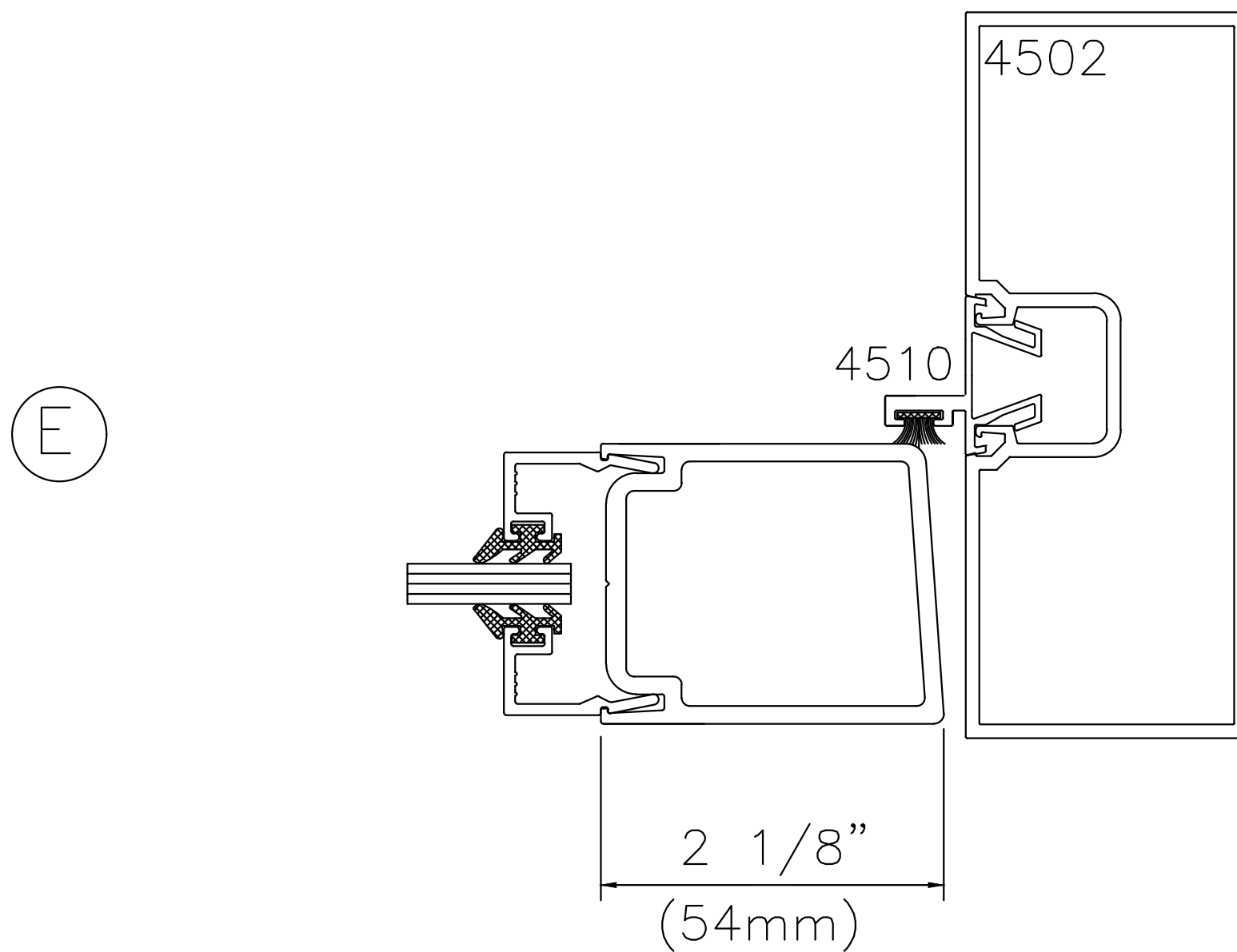
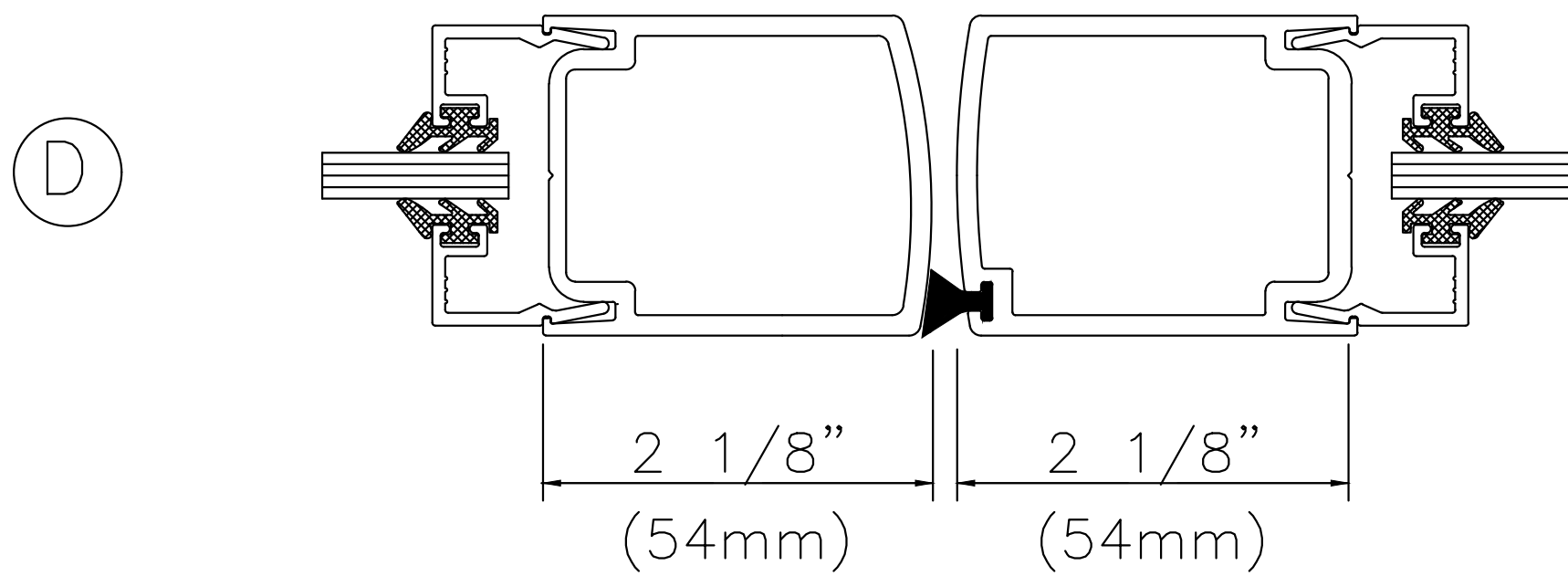
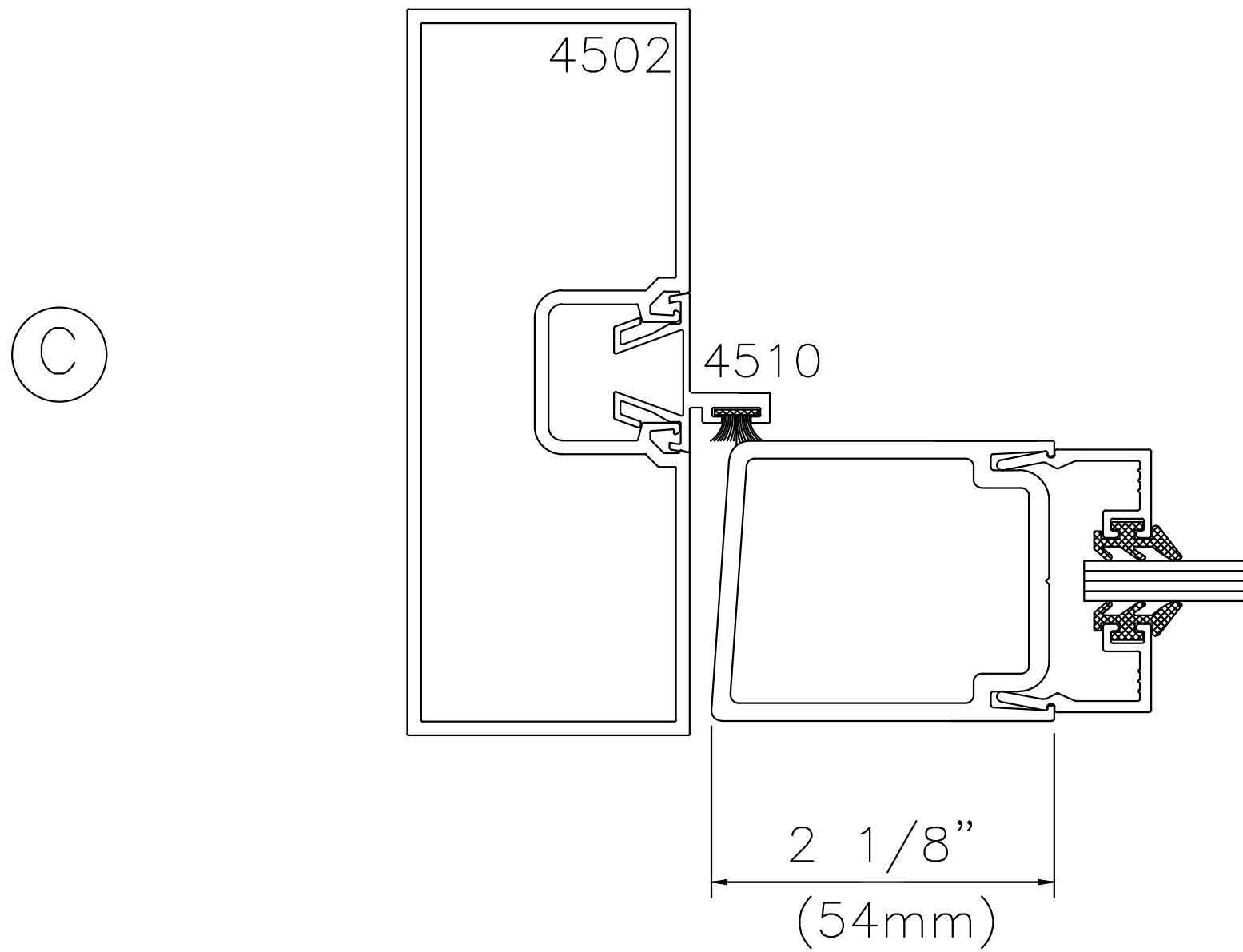
**COMMERCIAL DESIGN
SYSTEMS INC.**

DATE: AUGUST 2014
 TEL: (905) 738-0188
 FAX: (905) 738-6132
 E-MAIL: CDS2009@BELLNET.CA

PAGE:

B4

450 ENTRANCE FRAMING (1 $\frac{3}{4}$ "X4 $\frac{1}{2}$ ") WITH STANDARD DOOR



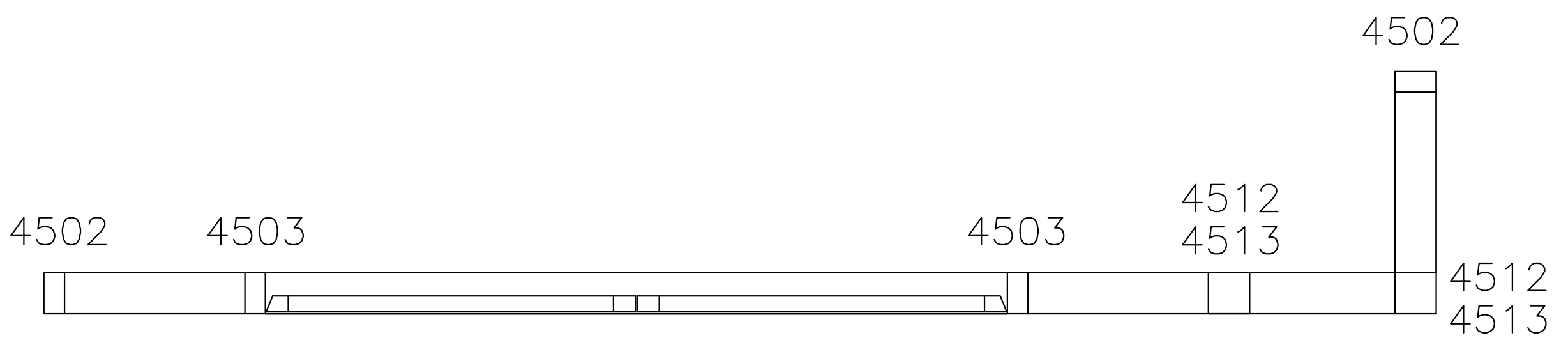
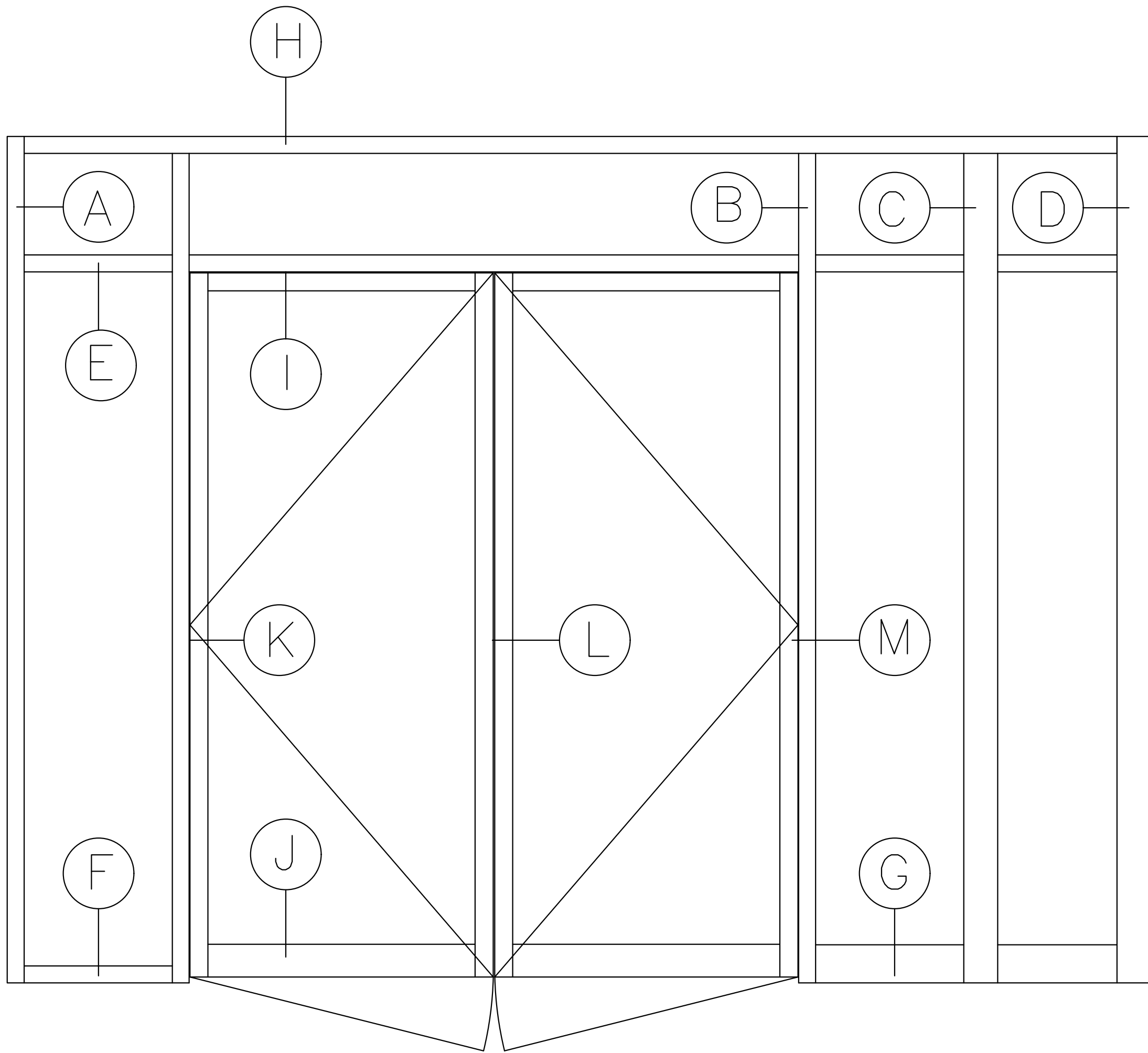
COMMERCIAL DESIGN
SYSTEMS INC.

DATE: AUGUST 2014
TEL: (905) 738-0188
FAX: (905) 738-6132
E-MAIL: CDS2009@BELLNET.CA

PAGE:

B5

450 SERIES ENTRANCE FRAMING



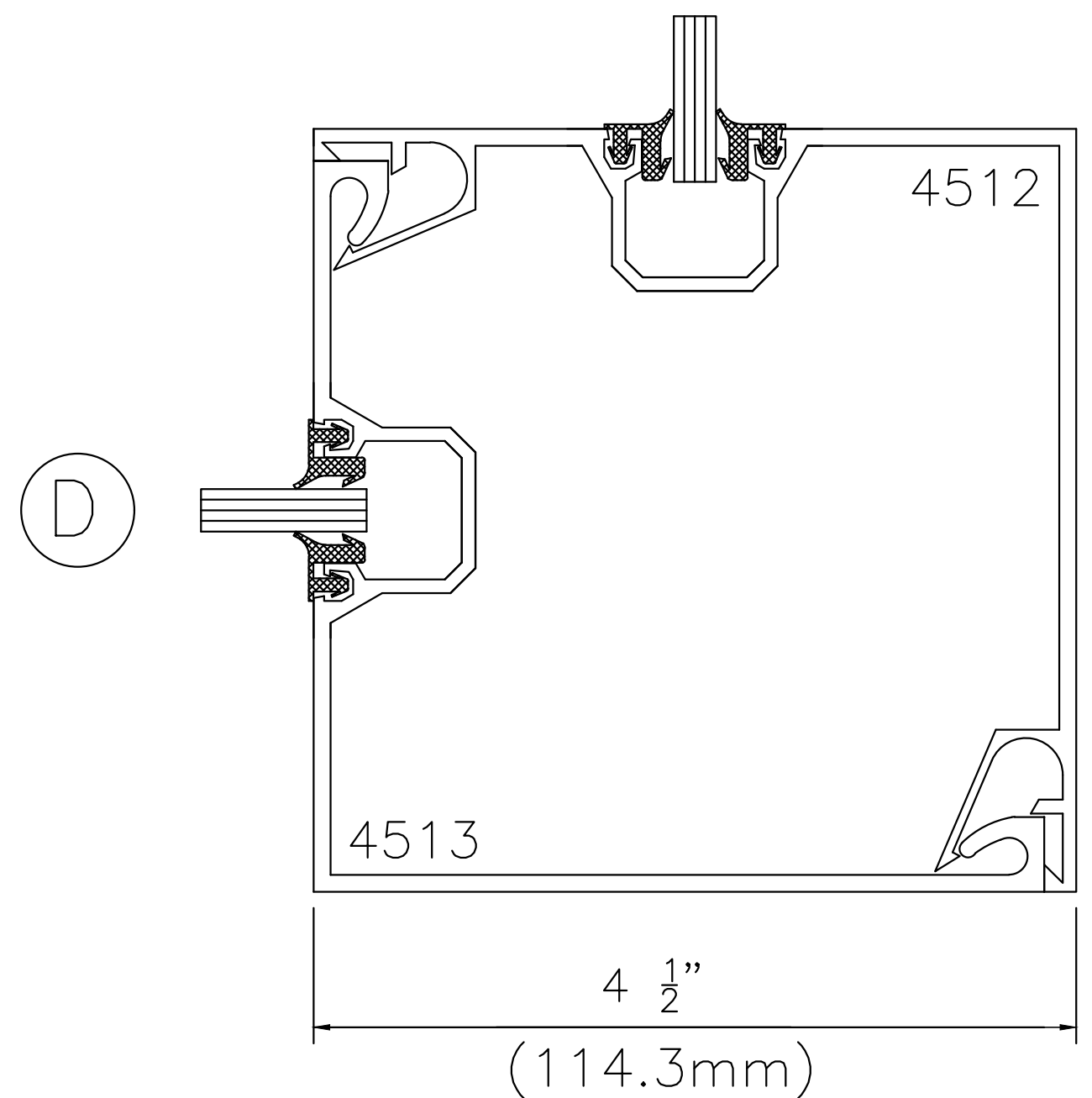
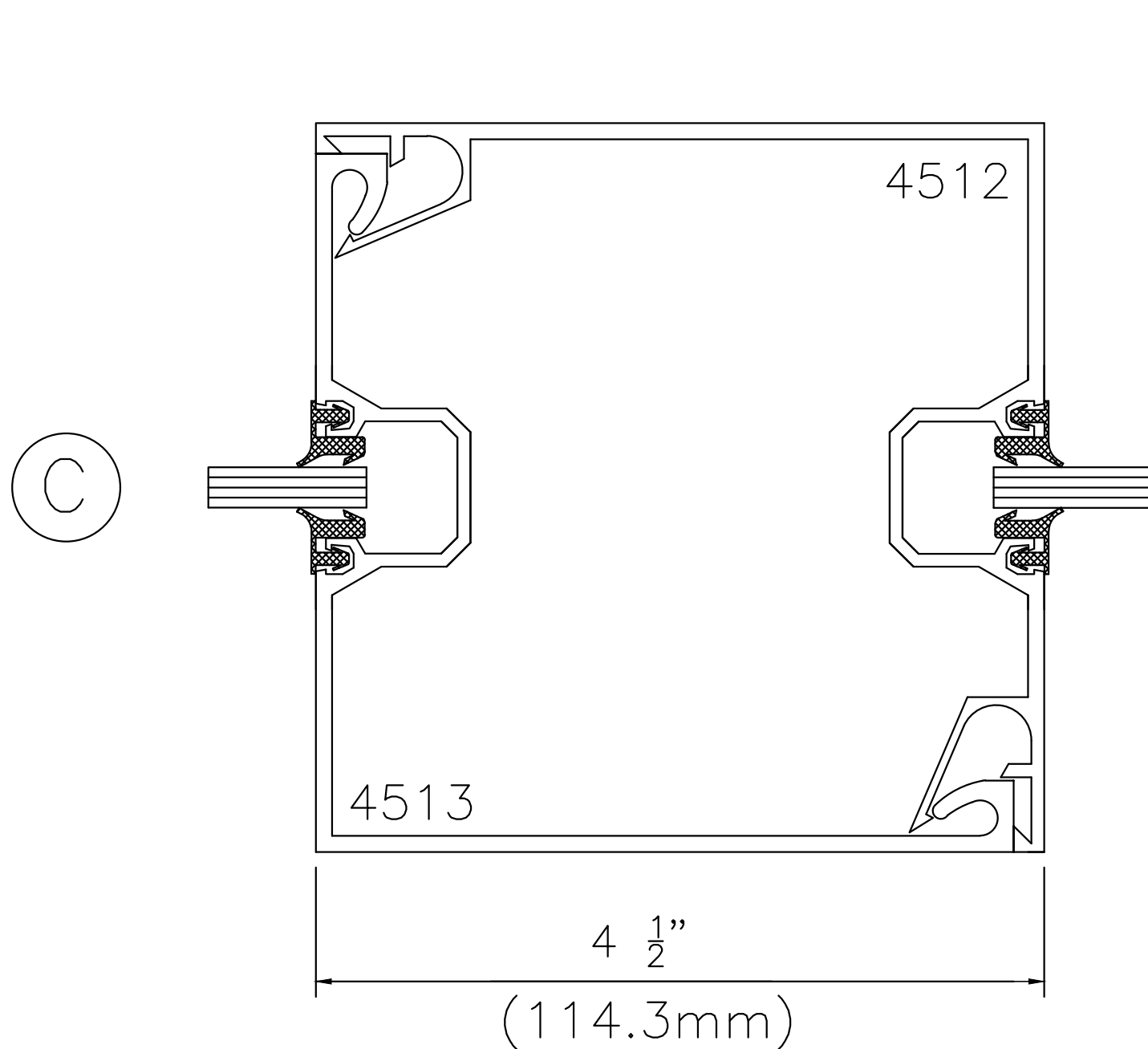
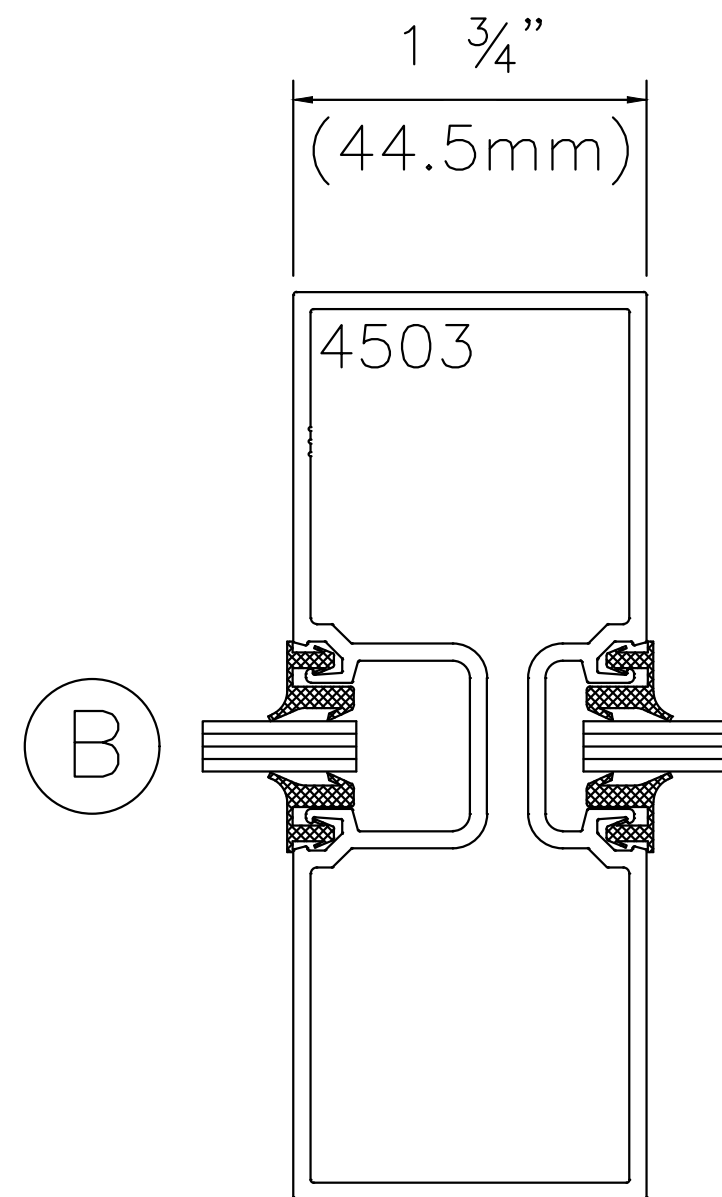
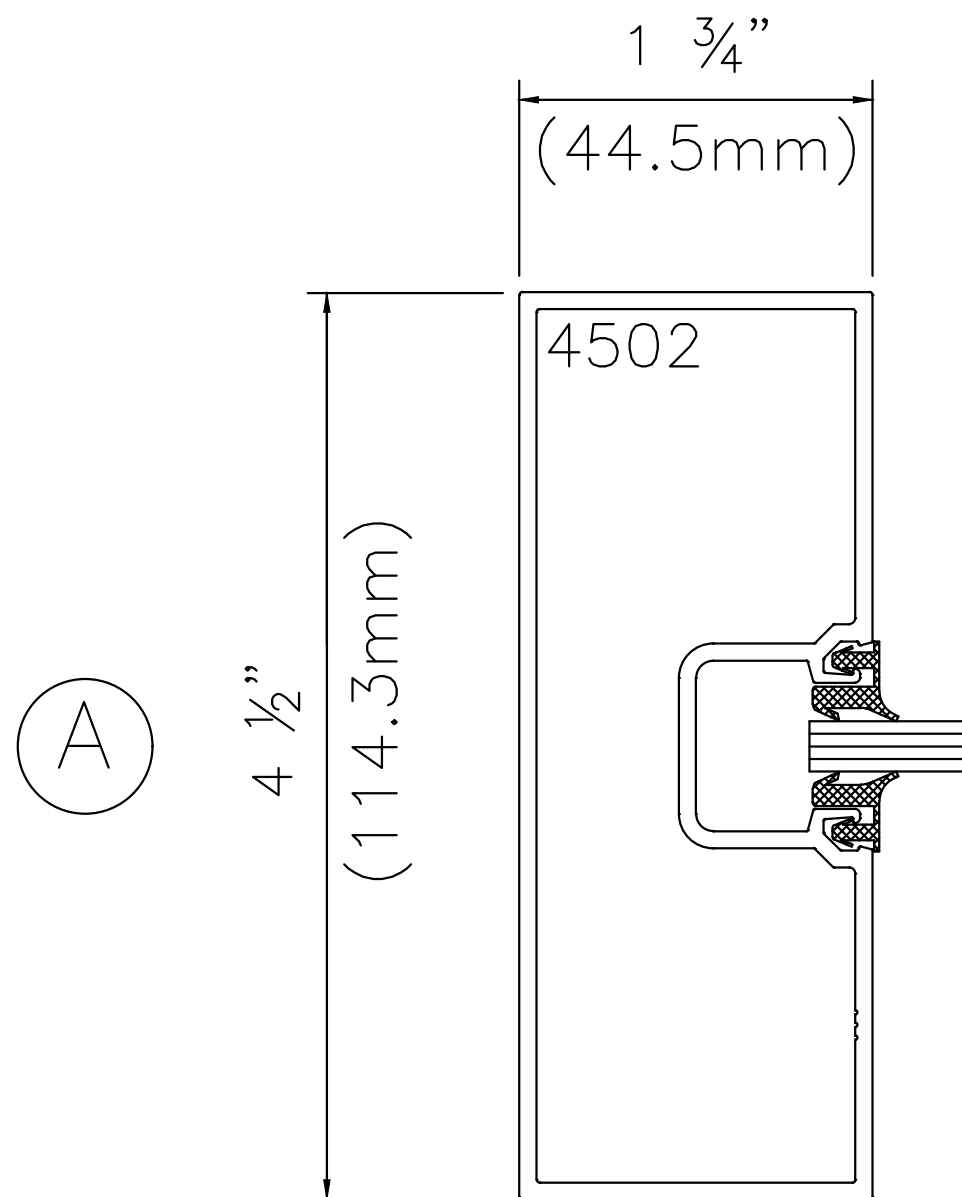
**COMMERCIAL DESIGN
SYSTEMS INC.**

DATE: AUGUST 2014
 TEL: (905) 738-0188
 FAX: (905) 738-6132
 E-MAIL: CDS2009@BELLNET.CA

PAGE:

B6

450 SERIES ENTRANCE FRAMING



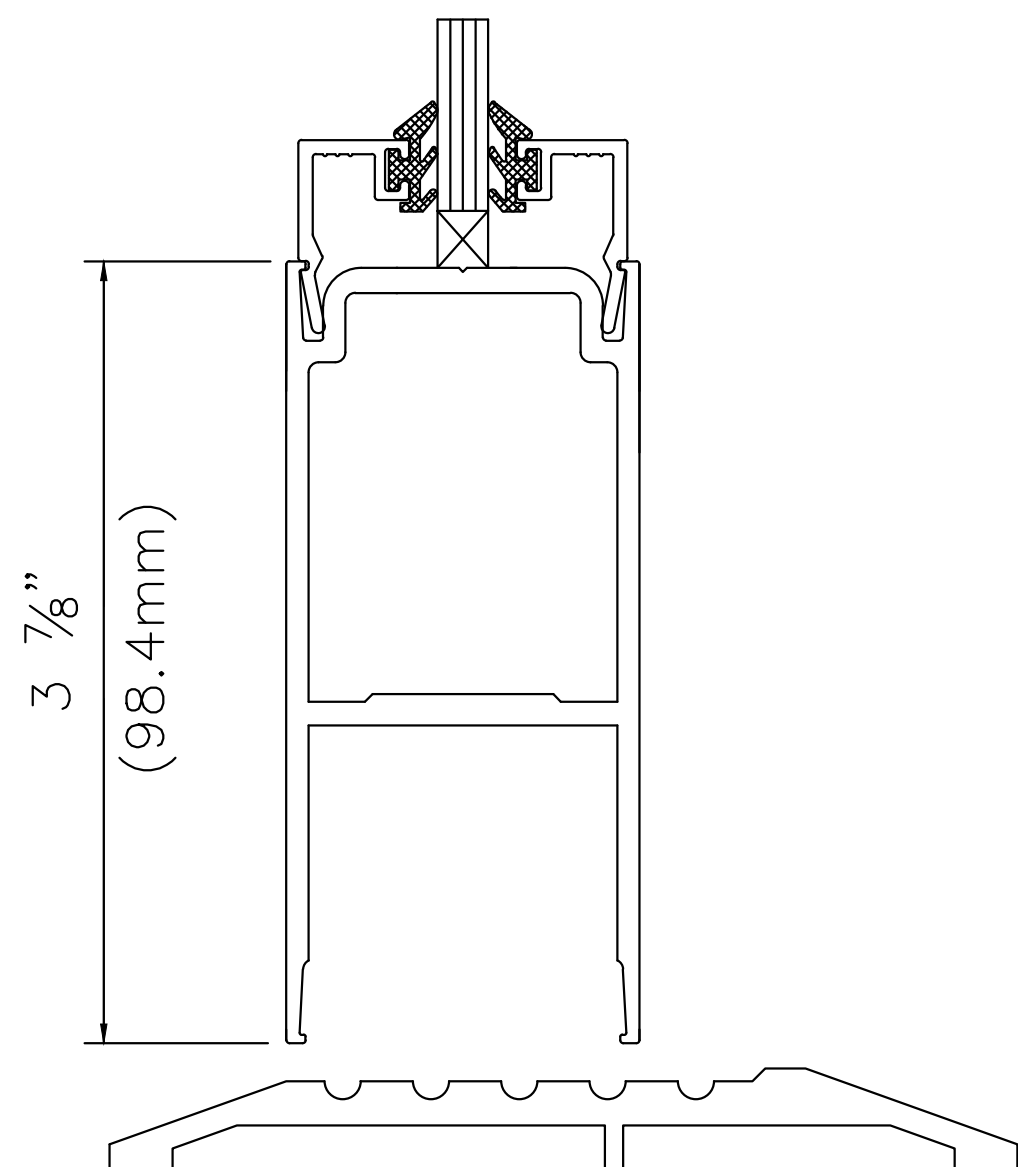
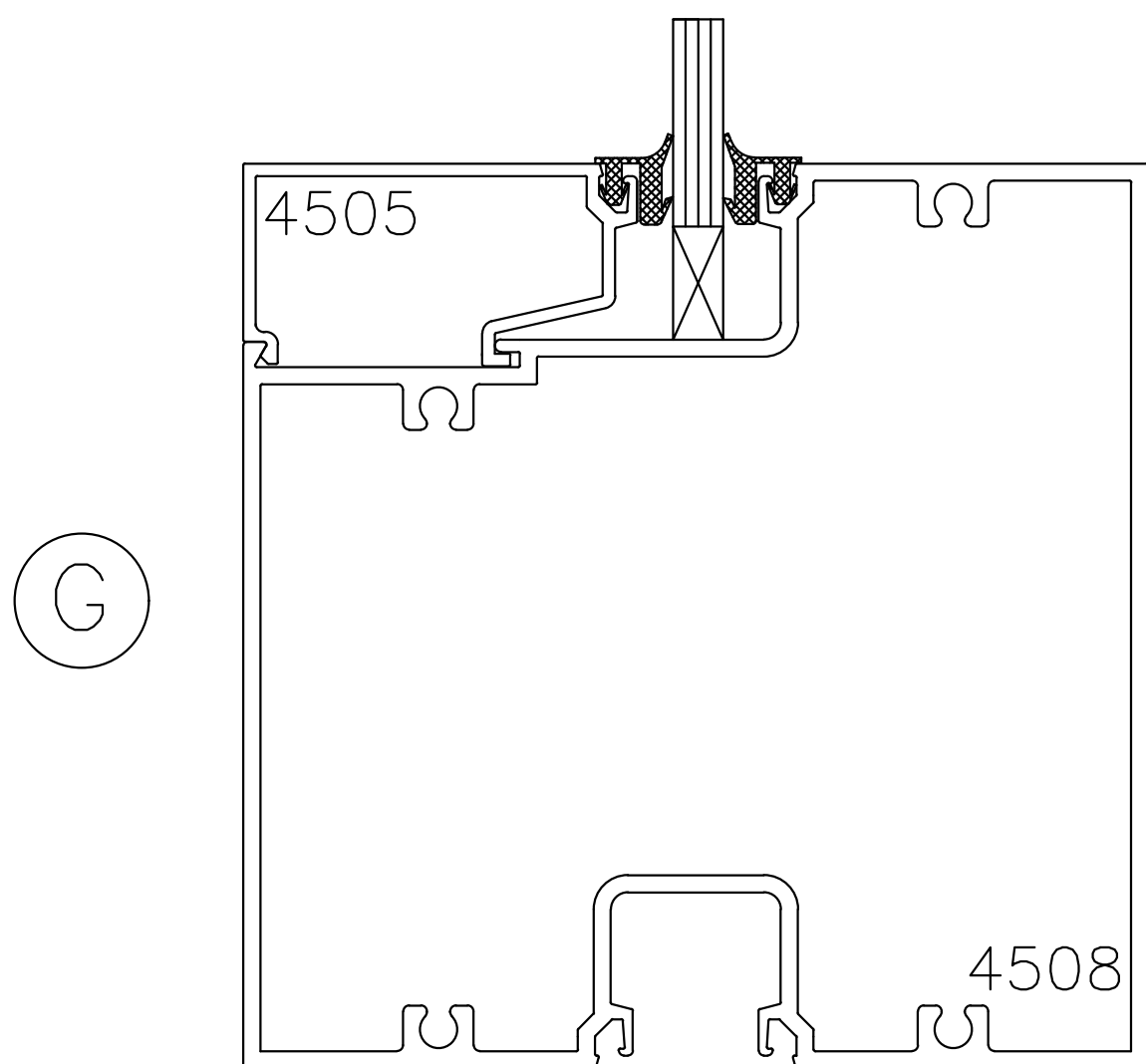
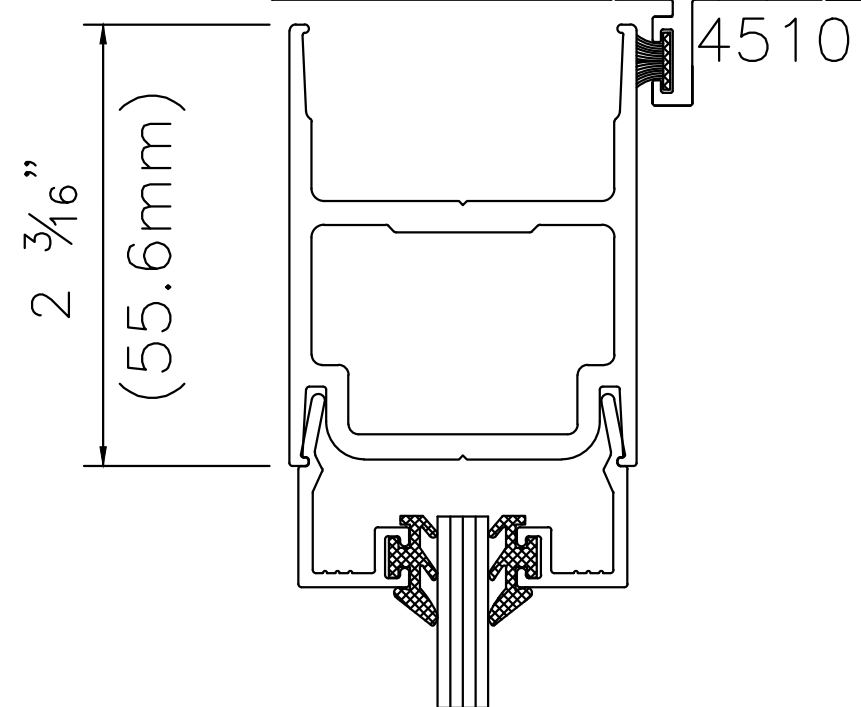
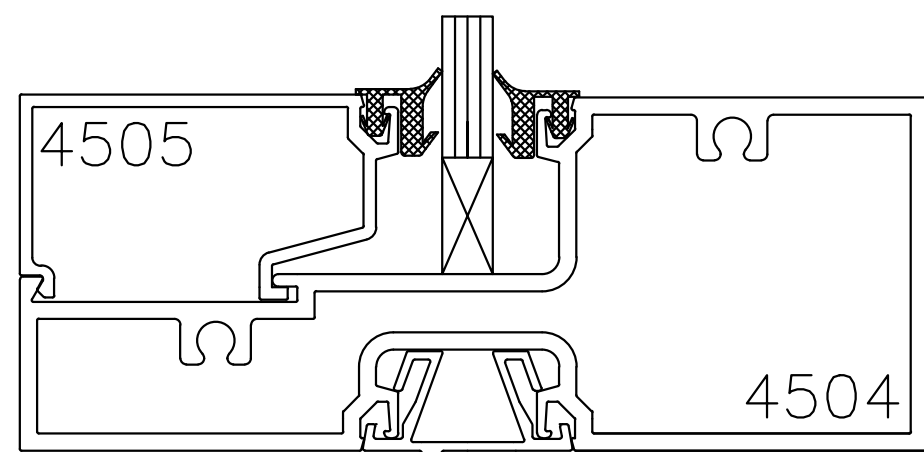
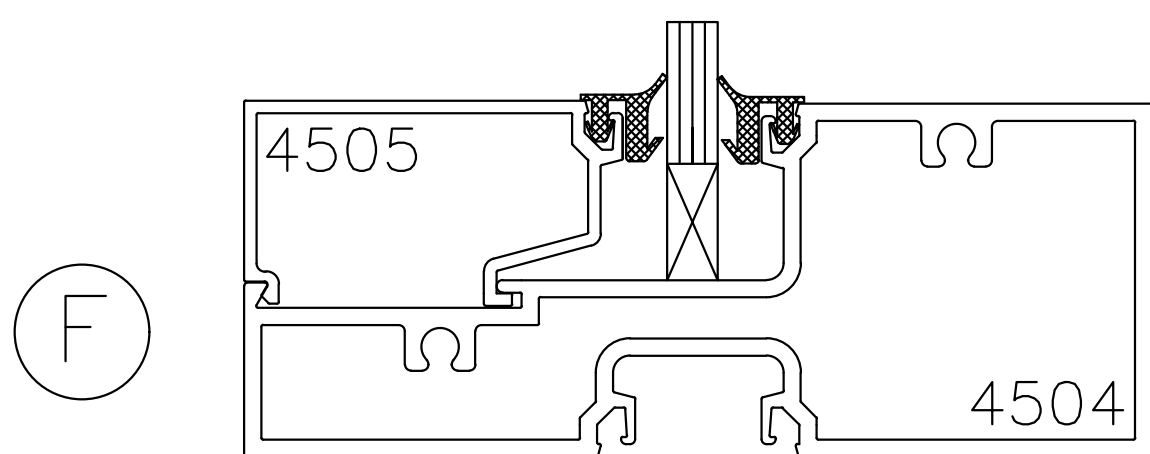
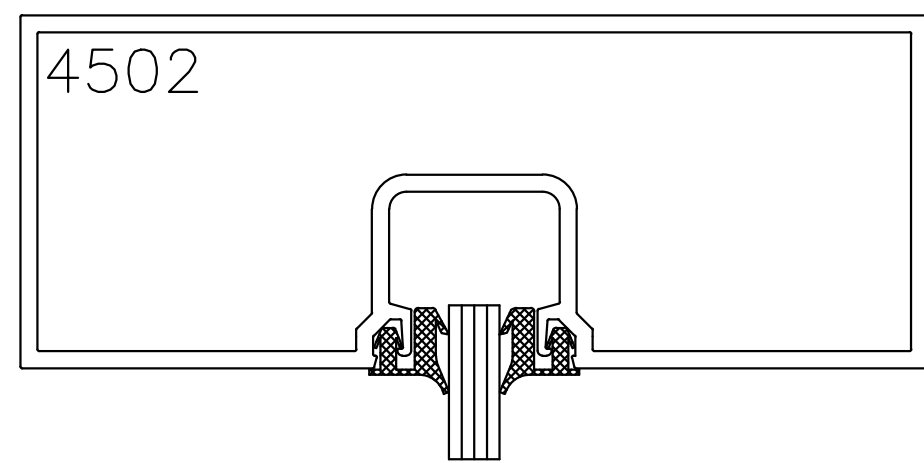
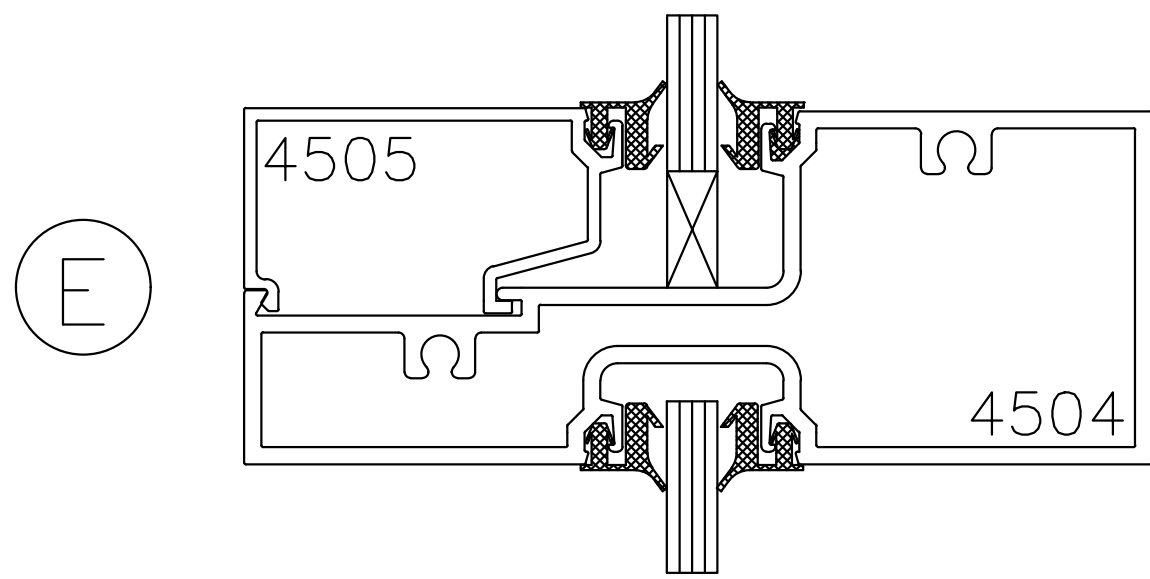
COMMERCIAL DESIGN
SYSTEMS INC.

DATE: AUGUST 2014
TEL: (905) 738-0188
FAX: (905) 738-6132
E-MAIL: CDS2009@BELLNET.CA

PAGE:

B7

450 ENTRANCE FRAMING 210 DOORS



**COMMERCIAL DESIGN
SYSTEMS INC.**

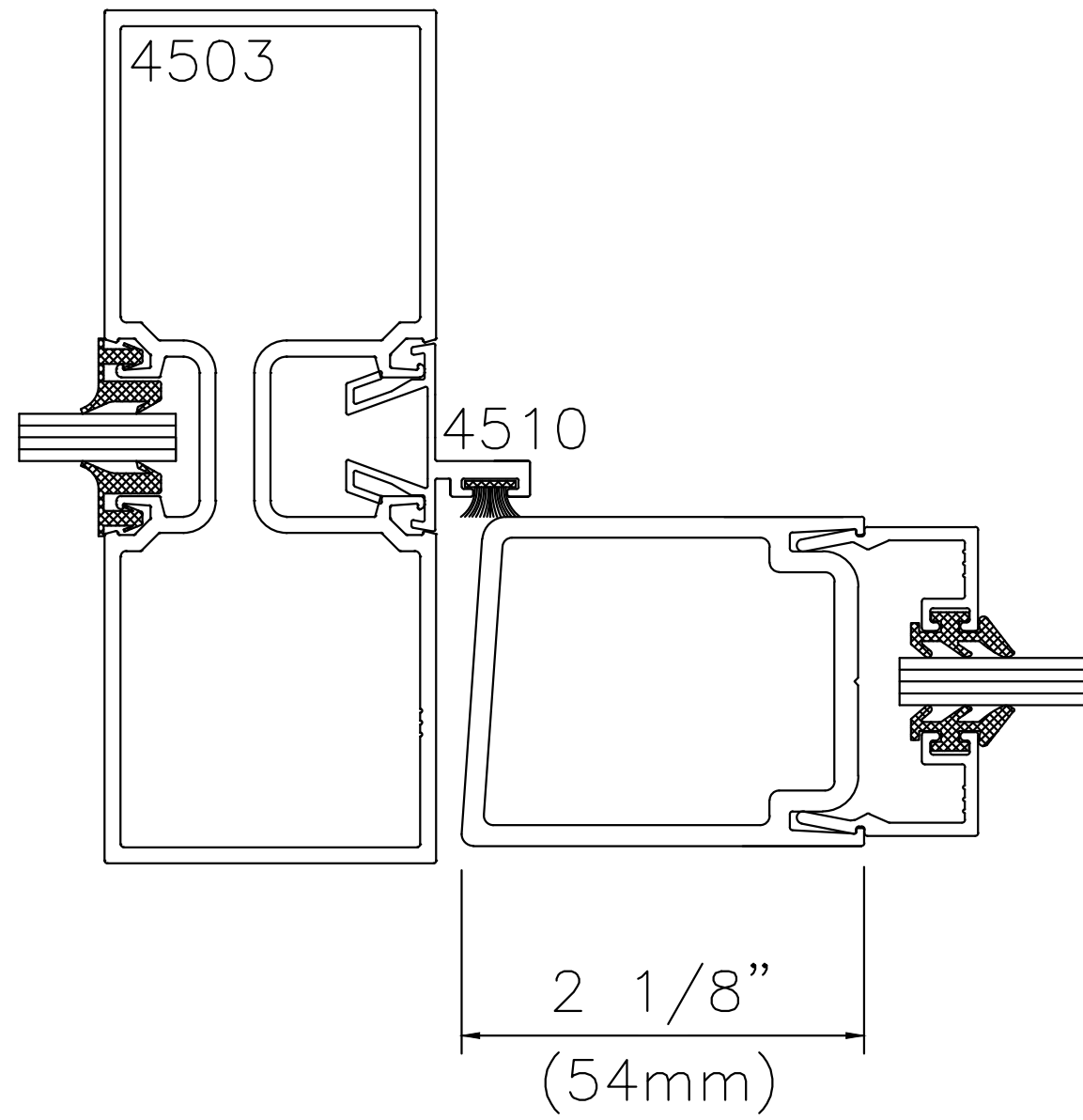
DATE: AUGUST 2014
 TEL: (905) 738-0188
 FAX: (905) 738-6132
 E-MAIL: CDS2009@BELLNET.CA

PAGE:

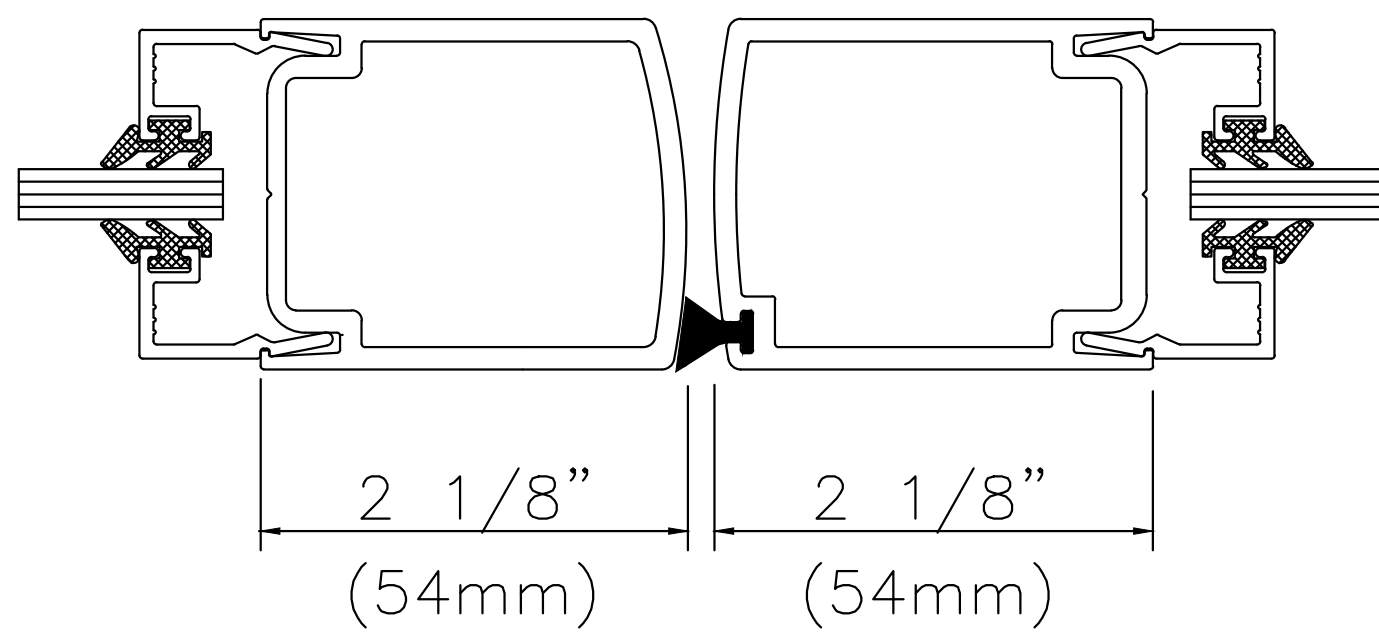
B8

450 ENTRANCE FRAMING 210 DOORS

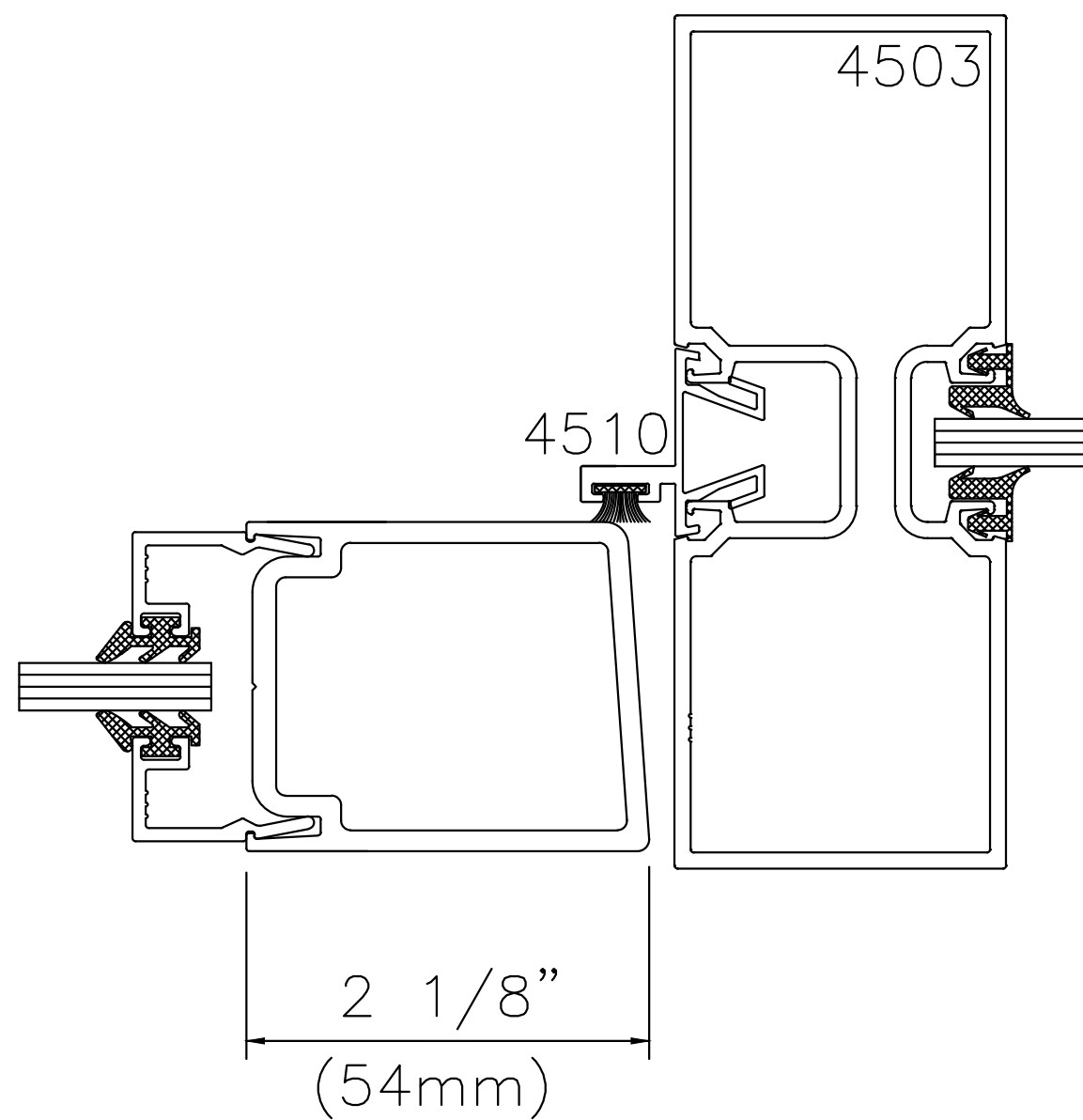
(K)



(L)



(M)



COMMERCIAL DESIGN
SYSTEMS INC.

DATE: AUGUST 2014
TEL: (905) 738-0188
FAX: (905) 738-6132
E-MAIL: CDS2009@BELLNET.CA

PAGE:

B9