



COMMERCIAL DESIGN
SYSTEMS INC.

HEAD OFFICE/PLANT

65 CITATION DR.
CONCORD, ONTARIO L4K 2Y8
TEL: (905) 738-0188
FAX: (905) 738-6132



MANUFACTURERS AND
DISTRIBUTORS OF
ARCHITECTURAL ALUMINUM
PRODUCTS

DOORS, HARDWARE,
AND DOOR FRAMES

ENTRANCE FRAMING

CURTAIN WALL

VENTS AND CASEMENT
WINDOWS



PRODUCT COMPARISON

	CDS	WINDSPEC	ALUMICOR	KAWNEER
--	-----	----------	----------	---------

DOORS

NARROW	210	200	100A	190
MEDIUM	400	350	400A	350
WIDE	550	500	600A	500
NARROW INSUL	210 INS	INSUL 200	100A INSUL	260
MEDIUM INSUL	400 INS	INSUL 350	400A INSUL	360
WIDE INSUL	550 INS	INSUL 500	600A INSUL	560

CURTAIN WALL

2"	2000	5400	2200	1602
2 1/2"	2500	5500	2500	1600

ENTRANCE FRAME

1 3/4" X 4"	400	400	500	
1 3/4" X 4 1/2"	450	630	1800/800	451
2" X 4 1/2" THERMAL BROKEN	460	650	3400	451-T

VENTS

2"		510	1110E	525
2"	1250	515	1450	



**COMMERCIAL DESIGN
SYSTEMS INC.**

DATE: AUGUST 2014
 TEL: (905) 738-0188
 FAX: (905) 738-6132
 E-MAIL: CDS2009@BELLNET.CA

PAGE:

MASTER INDEX

CATEGORY 1 – DOORS

- SECTION A – STANDARD DOOR INFORMATION
- SECTION B – 210 SERIES DOORS
210 SERIES INSUL DOORS
- SECTION C – 400 SERIES DOORS
400 SERIES INSUL DOORS
- SECTION D – 550 SERIES DOORS
550 SERIES INSUL DOORS
- SECTION E – DOOR HARDWARE

CATEGORY 2 – ENTRANCE FRAMING

- SECTION A – 400 SERIES ENTRANCE FRAMING
- SECTION B – 450 SERIES ENTRANCE FRAMING
- SECTION C – 460 SERIES ENTRANCE FRAMING

CATEGORY 3 – CURTAIN WALL

- SECTION A – 2000 SERIES CURTAIN WALL
- SECTION B – 2500 SERIES CURTAIN WALL

CATEGORY 4 – OPERABLE WINDOWS

- SECTION A – 1250 SERIES OPERABLE WINDOW



**COMMERCIAL DESIGN
SYSTEMS INC.**

DATE: AUGUST 2014
TEL: (905) 738-0188
FAX: (905) 738-6132
E-MAIL: CDS2009@BELLNET.CA

PAGE:

SWING DOOR INDEX

SECTION A – STANDARD DOOR INFORMATION

PAGE–A1	– BASIC DOOR SERIES
PAGE–A2 TO A4	– STILES, RAILS AND MIDRAILS
PAGE–A5	– DOOR SWING
PAGE–A6 TO A7	– GLASS SIZE
PAGE–A8 TO A12	– STANDARD DOOR DIMENSIONS
PAGE–A13	– GLASS STOPS

SECTION B – 210 NARROW STILE DOORS

PAGE–B1 TO B3	– 210 DOOR DETAILS
PAGE–B4 TO B6	– 210 INSUL DOOR DETAILS

SECTION C – 400 MEDIUM STILE DOORS

PAGE–C1 TO C3	– 400 DOOR DETAILS
PAGE–C4 TO C6	– 400 INSUL DOOR DETAILS

SECTION D – 550 NARROW STILE DOORS

PAGE–D1 TO D3	– 550 DOOR DETAILS
PAGE–D4 TO D6	– 550 INSUL DOOR DETAILS

SECTION E – DOOR HARDWARE

PAGE–E1	– HINGES
PAGE–E2	– LOCKING COMPONENTS
PAGE–E3	– LOCK CYLINDERS
PAGE–E4 TO E5	– DOOR STRIKES
PAGE–E6	– PANIC BARS
PAGE–E7	– DOOR CLOSERS
PAGE–E8	– DOOR PLATES
PAGE–E9 TO E10	– DOOR OPERATORS
PAGE–E11	– GLASS STOPS AND DOOR SWEEPS
PAGE–E12	– THRESHOLDS

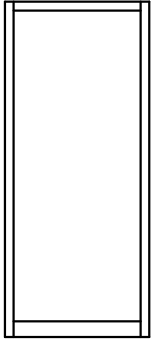
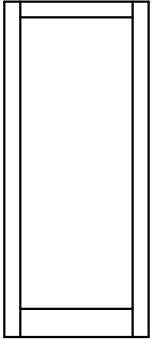
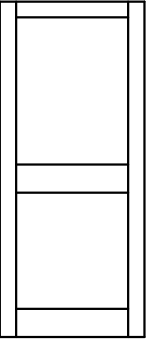


**COMMERCIAL DESIGN
SYSTEMS INC.**

DATE: AUGUST 2014
TEL: (905) 738-0188
FAX: (905) 738-6132
E-MAIL: CDS2009@BELLNET.CA

PAGE:

BASIC DOOR SERIES

210	210 M/R	210 INS	400	400 M/R	400 INS	550	550 M/R	550 INS
								
SERIES	STILES		TOP RAIL		BOTTOM RAIL		MID-RAIL	
210	$2\frac{1}{8}"$ (54mm)		$2\frac{3}{16}"$ (55.6mm)		$3\frac{7}{8}"$ (98.4mm)		N/A	
210 M/R	$2\frac{1}{8}"$ (54mm)		$2\frac{3}{16}"$ (55.6mm)		$3\frac{7}{8}"$ (98.4mm)		$3\frac{7}{8}"$ (98.4mm)	
210 INS	$2\frac{1}{8}"$ (54mm)		$2\frac{3}{16}"$ (55.6mm)		$3\frac{7}{8}"$ (98.4mm)		N/A	
400	4" (101.6mm)		$3\frac{7}{8}"$ (98.4mm)		7" (177.8mm)		N/A	
400 M/R	4" (101.6mm)		$3\frac{7}{8}"$ (98.4mm)		7" (177.8mm)		7" (177.8mm)	
400 INS	4" (101.6mm)		$3\frac{7}{8}"$ (98.4mm)		7" (177.8mm)		N/A	
550	$5\frac{1}{2}"$ (139.7mm)		$5\frac{3}{8}"$ (136.5mm)		7" (177.8mm)		N/A	
550	$5\frac{1}{2}"$ (139.7mm)		$5\frac{3}{8}"$ (136.5mm)		7" (177.8mm)		7" (177.8mm)	
550	$5\frac{1}{2}"$ (139.7mm)		$5\frac{3}{8}"$ (136.5mm)		7" (177.8mm)		N/A	

STANDARD HARDWARE:

$1\frac{1}{2}"$ pair butts, MS 1850 Lock, Cylinder on the outside, Thumbturn on the inside, Standard push and Pull, $4\frac{1}{2}"$ threshold, Door Sweep. For pair doors, flushbolts will be included.

STANDARD FINISHES:

Clear Anodized, Standard Bronze, Black Anodized, Mill Finish



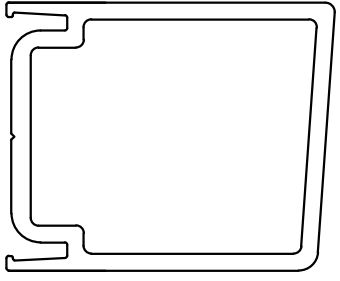
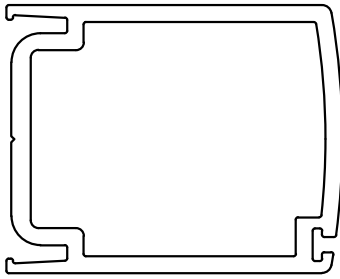
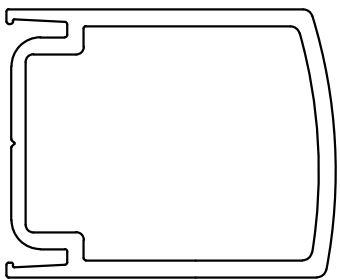
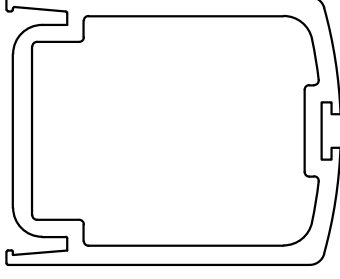
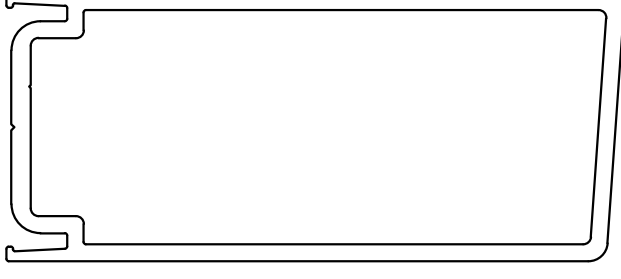
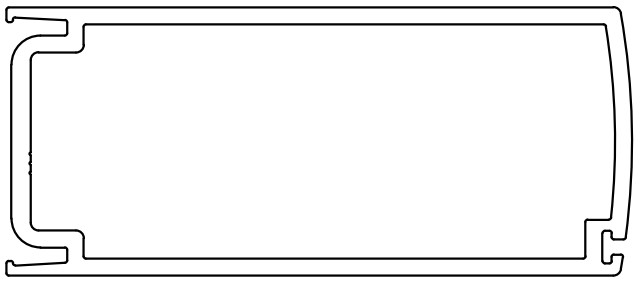
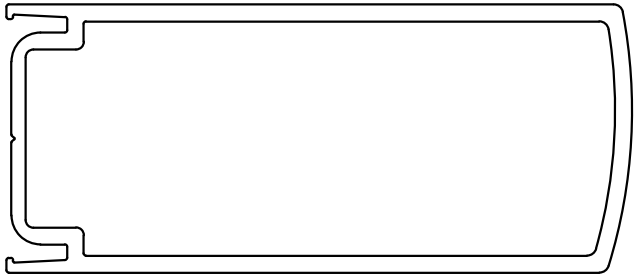
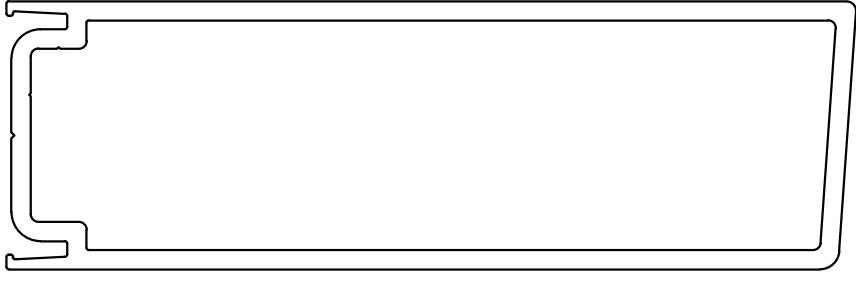
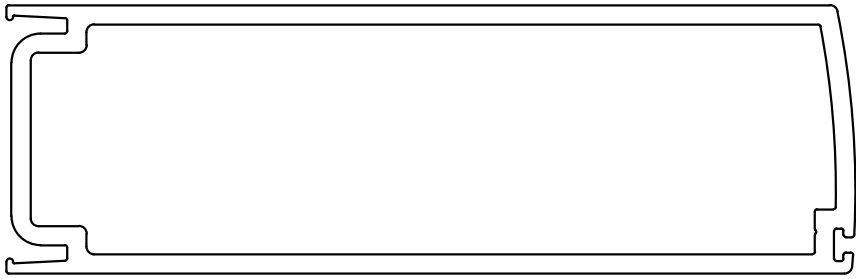
**COMMERCIAL DESIGN
SYSTEMS INC.**

DATE: AUGUST 2014
 TEL: (905) 738-0188
 FAX: (905) 738-6132
 E-MAIL: CDS2009@BELLNET.CA

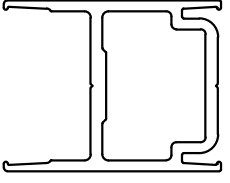
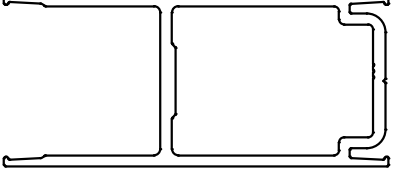
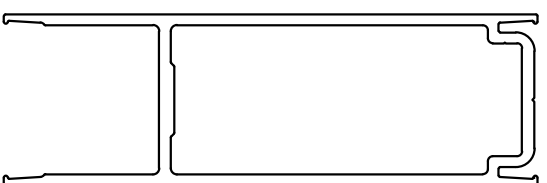
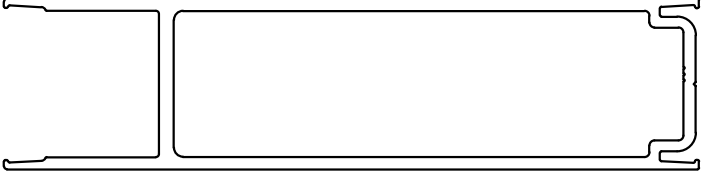
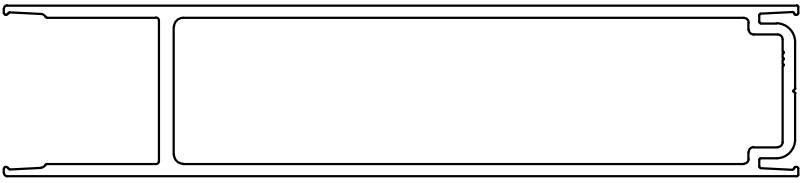
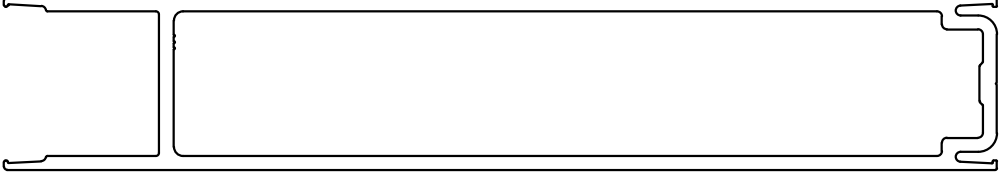
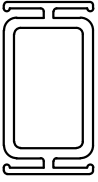
PAGE:

A1

COMMERCIAL DESIGN
STILES

PART NO.	STILE	DESCRIPTION
3201		2 $\frac{1}{8}$ " STILE FOR 210 DOORS
3202		2 $\frac{1}{8}$ " ACTIVE STILE FOR 210 DOORS
3203		2 $\frac{1}{8}$ " INACTIVE STILE FOR 210 DOORS
3206		2 $\frac{1}{8}$ " ACTIVE CENTRE-HUNG DOOR STILE FOR 210 DOORS
3402		4" STILE FOR 400 DOORS
3403		4" ACTIVE STILE FOR 400 DOORS
3405		4" INACTIVE STILE FOR 400 DOORS
3552		5 $\frac{1}{2}$ " STILE FOR 550 DOORS
3553		5 $\frac{1}{2}$ " ACTIVE STILE FOR 550 DOORS

COMMERCIAL DESIGN
RAILS

PART NO.	PART	DESCRIPTION
3204		2 $\frac{3}{16}$ " RAIL
3205		3 $\frac{7}{8}$ " RAIL
3555		5 $\frac{3}{8}$ " RAIL
3207		7" RAIL
3208		8" RAIL
3210		10" RAIL
3301		$\frac{7}{8}$ " DOOR MUNTIN BAR



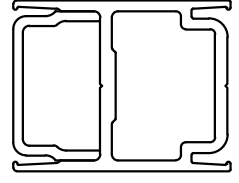
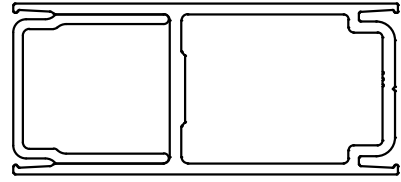
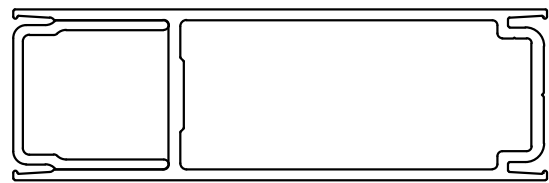
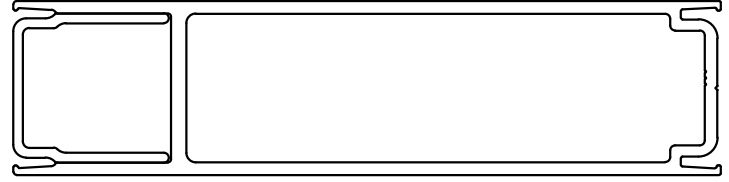
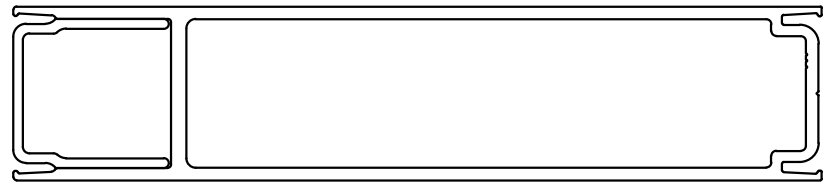
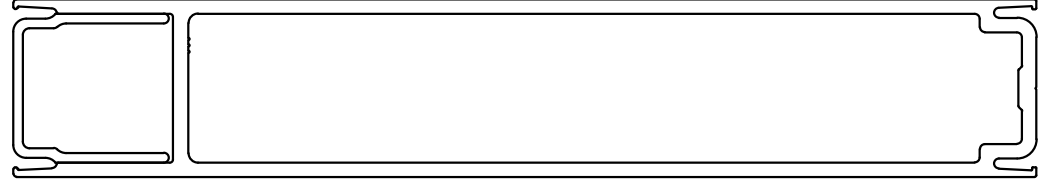
**COMMERCIAL DESIGN
SYSTEMS INC.**

DATE: AUGUST 2014
 TEL: (905) 738-0188
 FAX: (905) 738-6132
 E-MAIL: CDS2009@BELLNET.CA

PAGE:

A3

COMMERCIAL DESIGN
MIDRAILS

PART NO.	PART	DESCRIPTION
3204 MR		2 $\frac{3}{16}$ " MIDRAIL
3205 MR		3 $\frac{7}{8}$ " MIDRAIL
3555 MR		5 $\frac{3}{8}$ " MIDRAIL
3207 MR		7" MIDRAIL
3208 MR		8" MIDRAIL
3210 MR		10" MIDRAIL

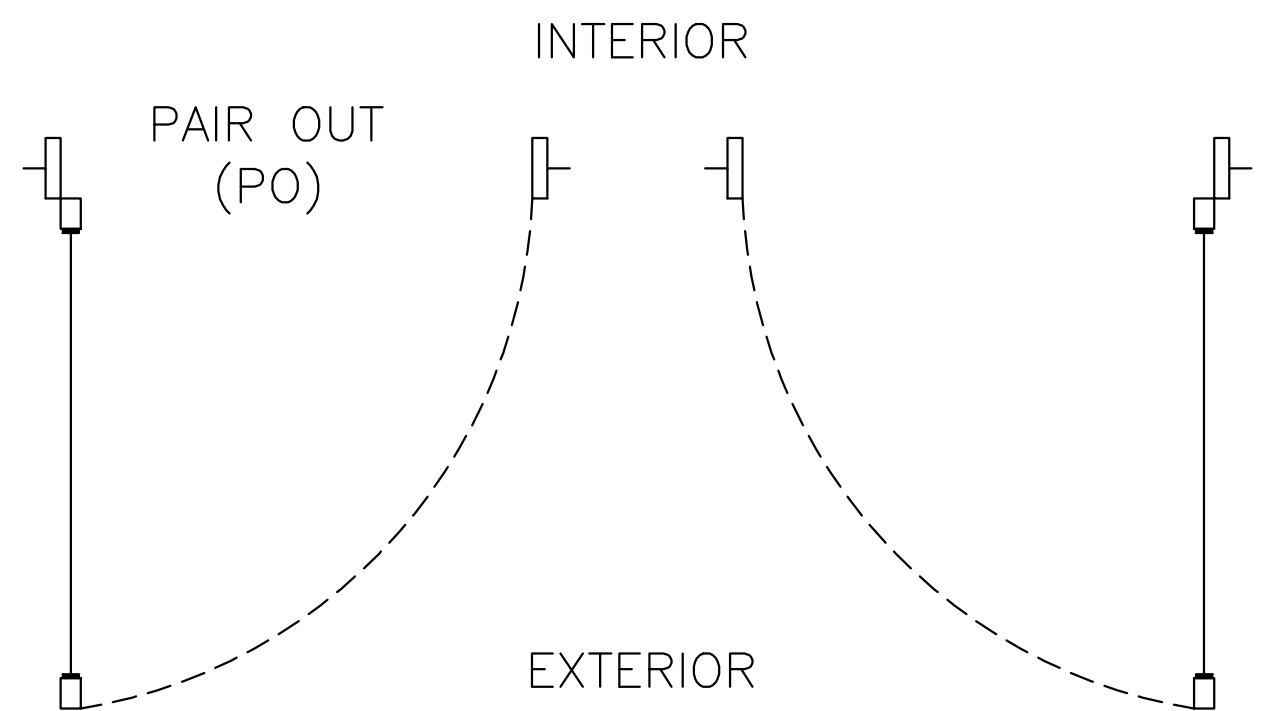
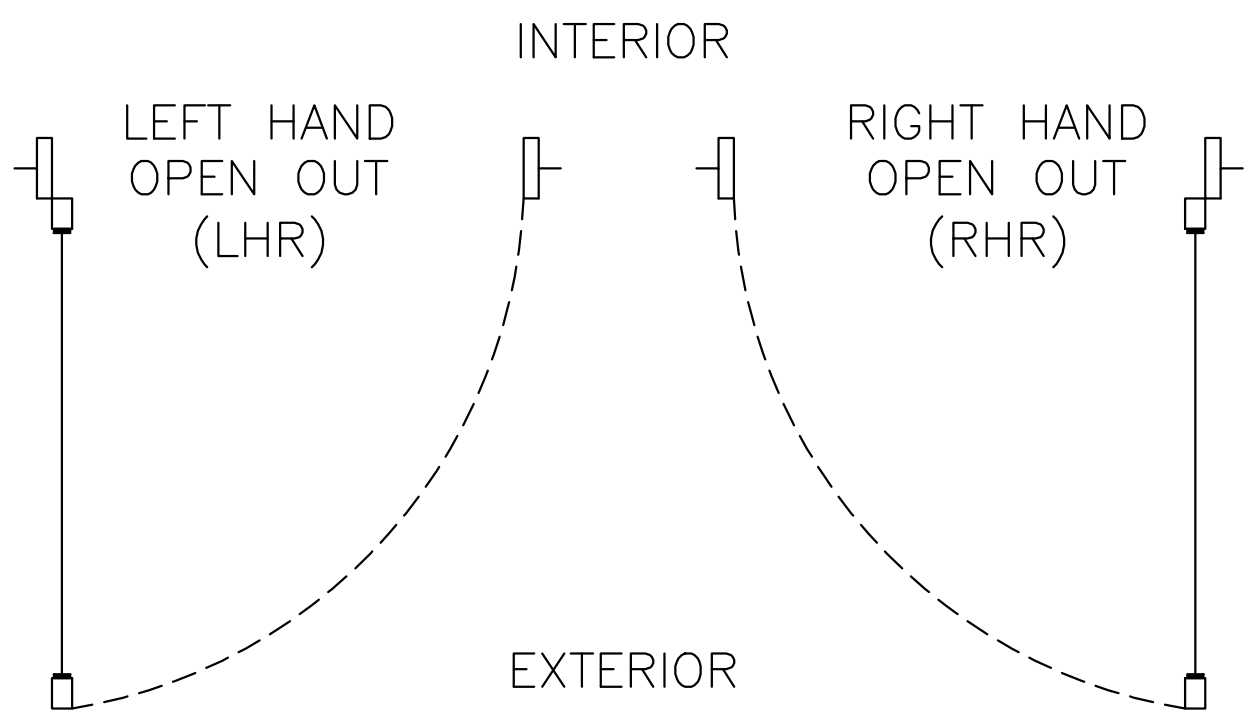
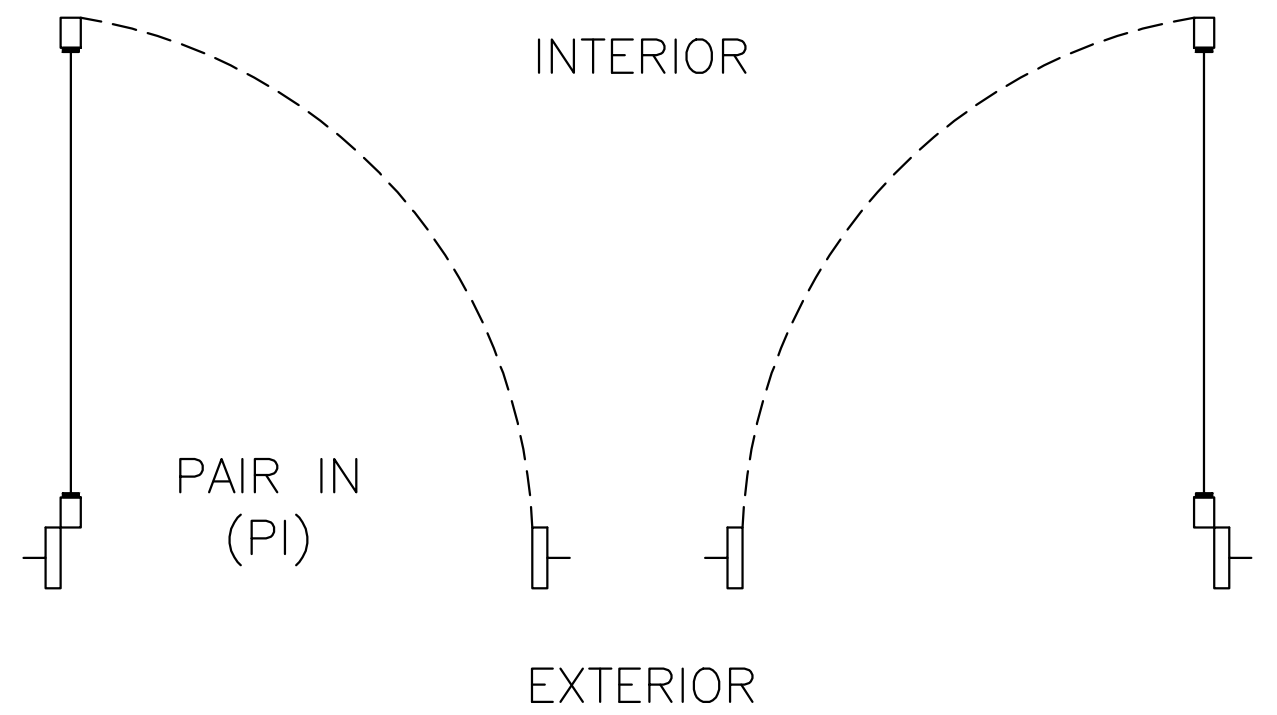
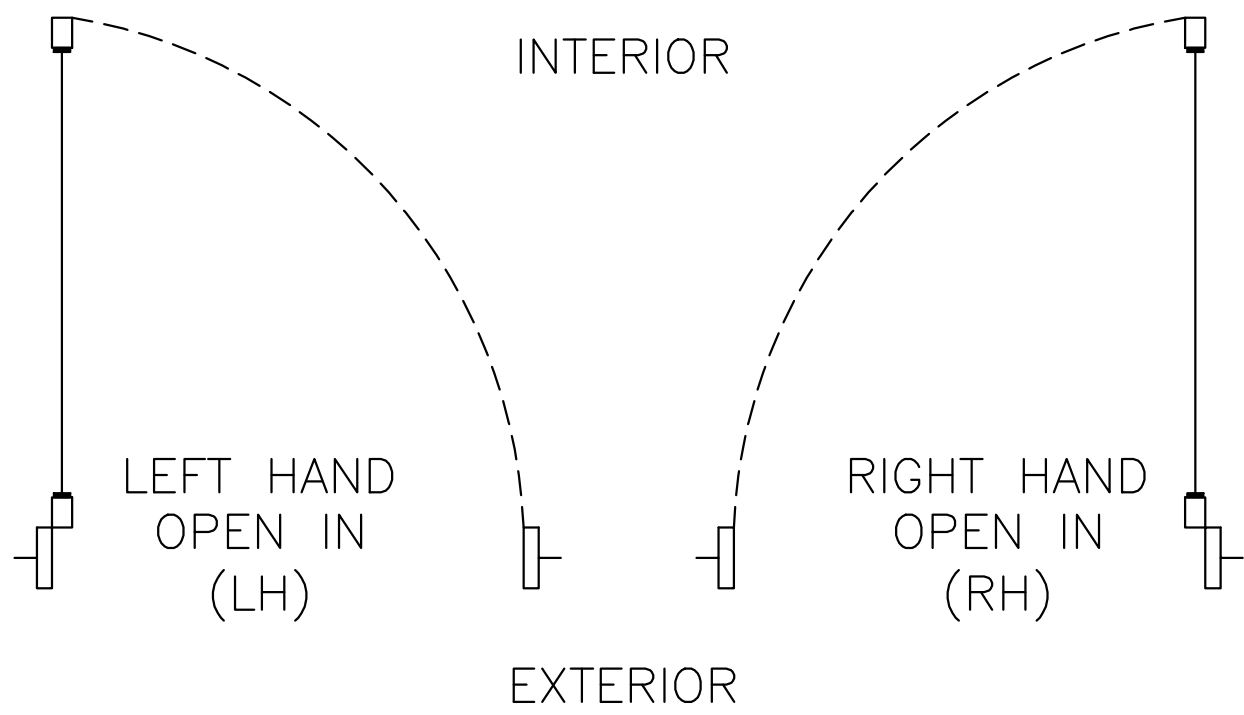


**COMMERCIAL DESIGN
SYSTEMS INC.**

DATE: AUGUST 2014
 TEL: (905) 738-0188
 FAX: (905) 738-6132
 E-MAIL: CDS2009@BELLNET.CA

PAGE:
A4

DOOR OPENINGS



**COMMERCIAL DESIGN
SYSTEMS INC.**

DATE: AUGUST 2014
TEL: (905) 738-0188
FAX: (905) 738-6132
E-MAIL: CDS2009@BELLNET.CA

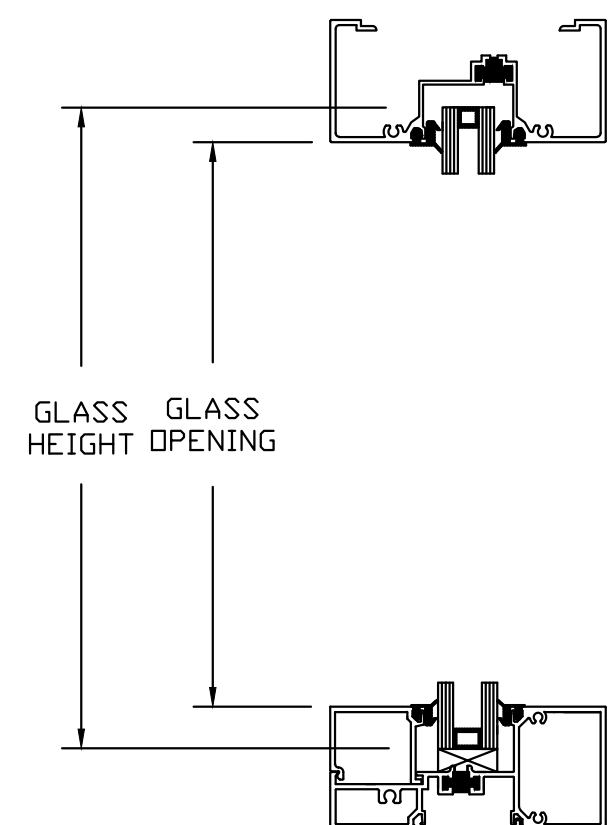
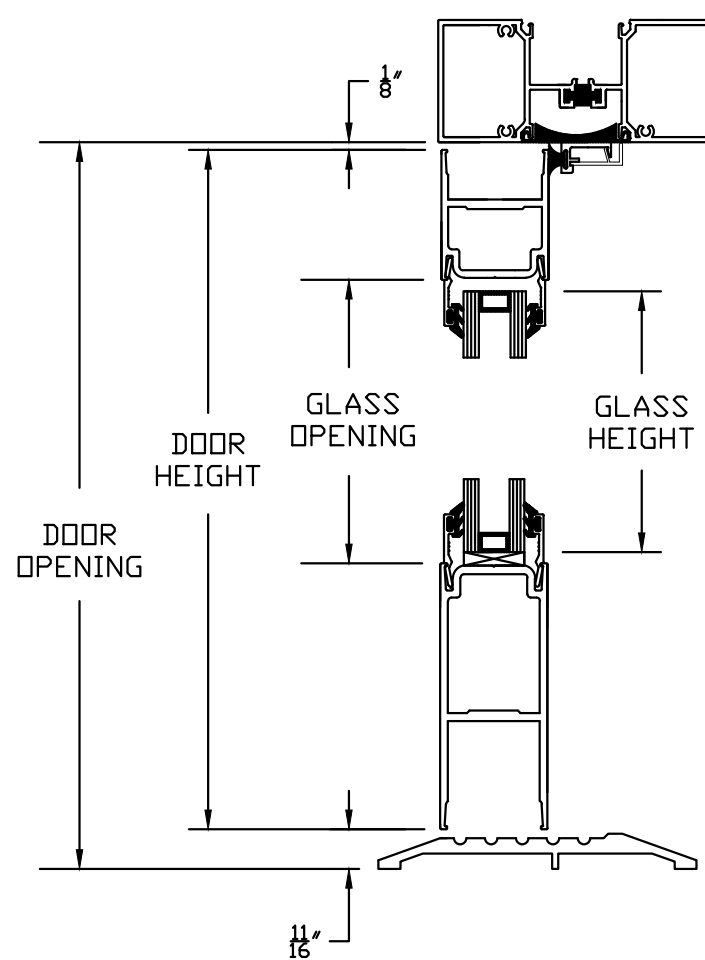
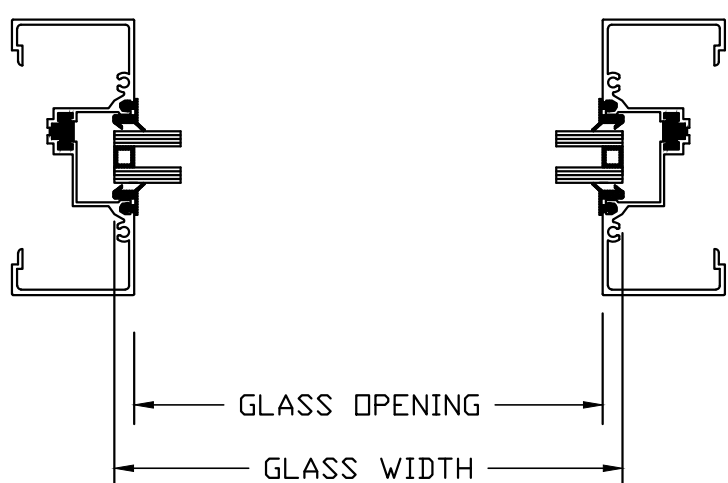
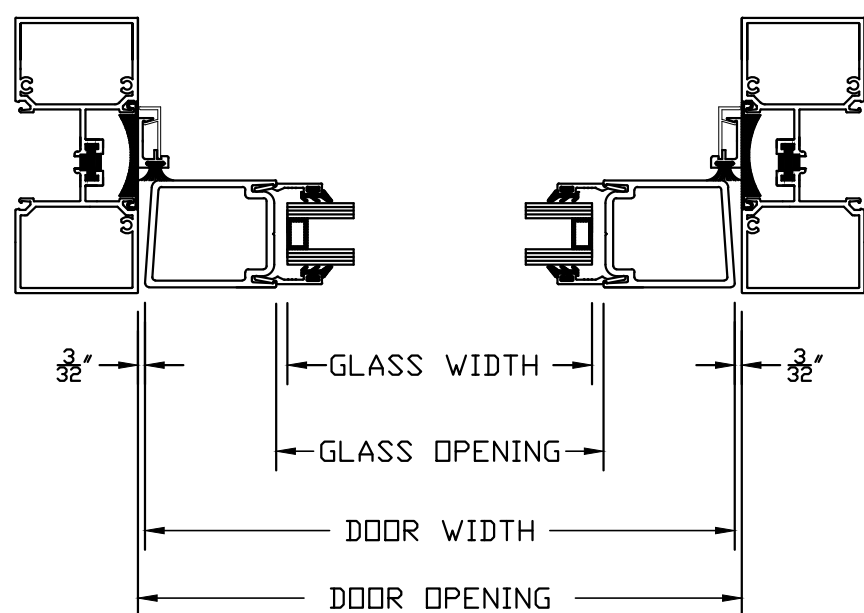
PAGE:

A5

STANDARD GLASS SIZES

GLASS SIZE CHANGES ARE FOR THE OPENINGS IN THE DOORS AND FRAMES

GLASS PLACEMENT	WIDTH	HEIGHT
210 DOOR	- 7/16"	- 1/2"
210 DOOR INS	- 11/16"	- 11/16"
400 DOOR	- 7/16"	- 1/2"
400 DOOR INS	- 11/16"	- 11/16"
550 DOOR	- 7/16"	- 1/2"
550 DORR INS	- 11/16"	- 11/16"
400 FRAME	- 1/2"	- 1/2"
450 FRAME	+ 5/8"	+ 5/8"
460 FRAME	+ 3/4"	+ 3/4"
2000 C/W	+ 1"	+ 1"
2500 C/W	+ 1"	+ 1"



**COMMERCIAL DESIGN
SYSTEMS INC.**

DATE: AUGUST 2014
 TEL: (905) 738-0188
 FAX: (905) 738-6132
 E-MAIL: CDS2009@BELLNET.CA

PAGE:

A6

STANDARD GLASS SIZES ENTRANCE DOORS

THE FOLLOWING GLASS SIZES ARE FOR AN OPENING OF 3' X 7' (914.4mm x 2133.6mm)

DOOR STYLE	WIDTH	HEIGHT
210	31 1/8"	76 5/8"
210 INS	30 7/8"	76 7/16"
210 WITH 3 7/8" CENTER RAIL	31 1/8"	33" BOTTOM
	31 1/8"	39 1/4" TOP
210 INS WITH 3 7/8" CENTER RAIL	30 7/8"	32 13/16" BOTTOM
	30 7/8"	39 1/16" TOP
400	27 3/8"	71 13/16"
400 INS	27 1/8"	71 5/8"
400 WITH 3 7/8" CENTER RAIL	27 3/8"	29 7/8" BOTTOM
	27 3/8"	37 9/16" TOP
400 INS WITH 3 7/8" CENTER RAIL	27 1/8"	29 1 1/16" BOTTOM
	27 1/8"	37 3/8" TOP
550	24 3/8"	70 5/16"
550 INS	24 1/8"	70 1/8"
550 WITH 3 7/8" CENTER RAIL	24 3/8"	29 7/8" BOTTOM
	24 3/8"	36 1/16" TOP
550 INS WITH 3 7/8" CENTER RAIL	24 1/8"	29 1 1/16" BOTTOM
	24 1/8"	35 7/8" TOP

STANDARD LOCATION OF CENTER RAIL IS 40" (1016mm) TO THE CENTER, FROM THE FINISH FLOOR



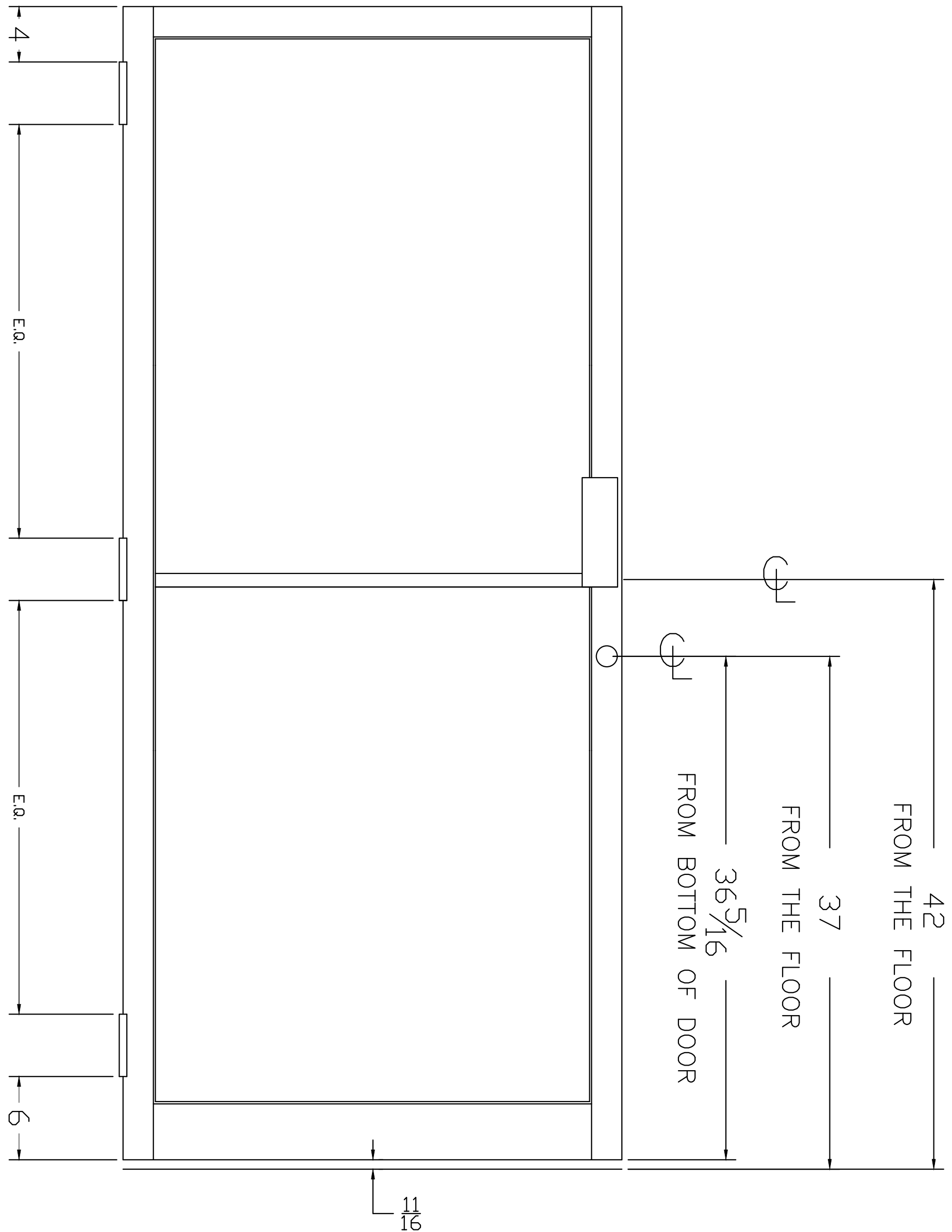
**COMMERCIAL DESIGN
SYSTEMS INC.**

DATE: AUGUST 2014
 TEL: (905) 738-0188
 FAX: (905) 738-6132
 E-MAIL: CDS2009@BELLNET.CA

PAGE:

A7

STANDARD DOOR DIMENSIONS



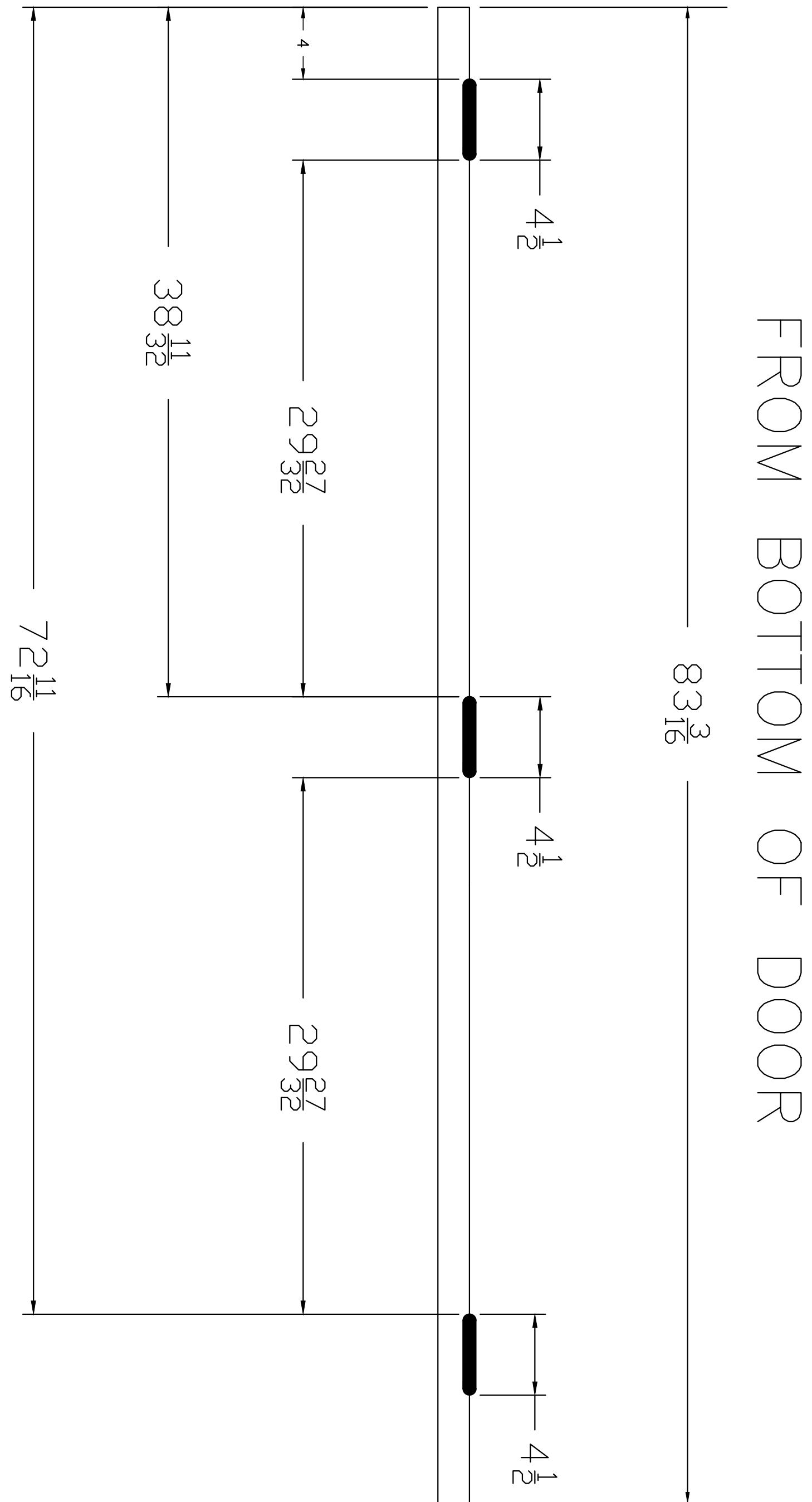
**COMMERCIAL DESIGN
SYSTEMS INC.**

DATE: AUGUST 2014
TEL: (905) 738-0188
FAX: (905) 738-6132
E-MAIL: CDS2009@BELLNET.CA

PAGE:

A8

HINGE LOCATION ON 7'(84") DOOR



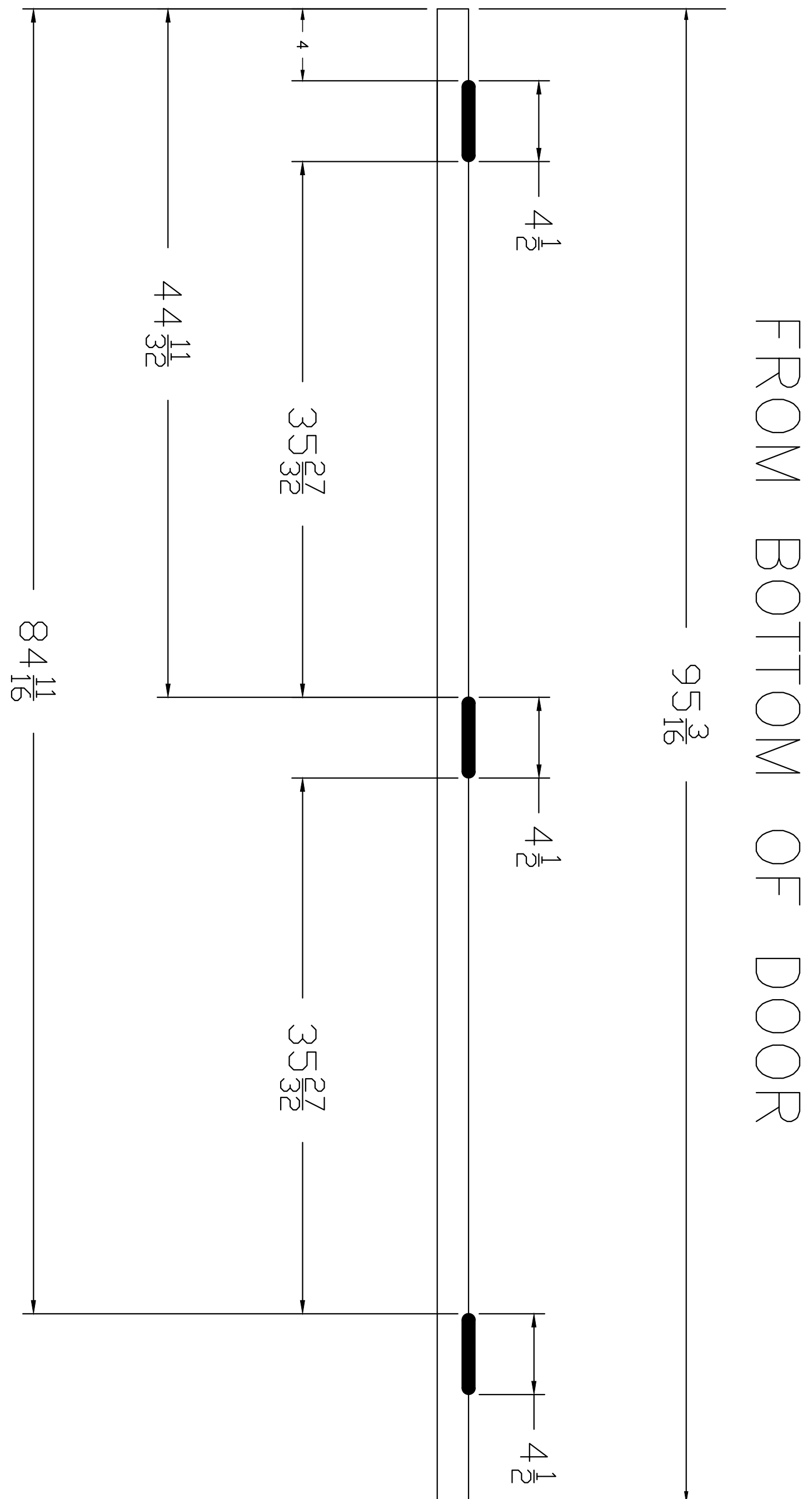
**COMMERCIAL DESIGN
SYSTEMS INC.**

DATE: AUGUST 2014
 TEL: (905) 738-0188
 FAX: (905) 738-6132
 E-MAIL: CDS2009@BELLNET.CA

PAGE:

A9

HINGE LOCATION ON 8'(96") DOOR

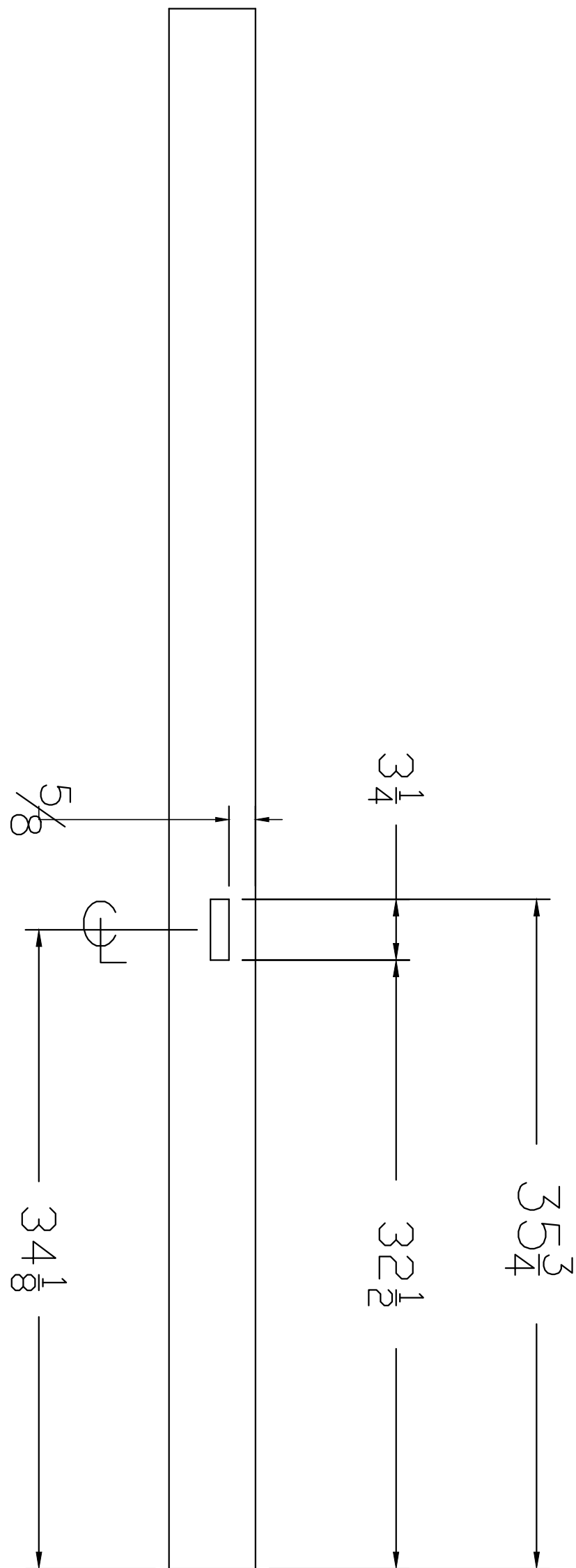


**COMMERCIAL DESIGN
SYSTEMS INC.**

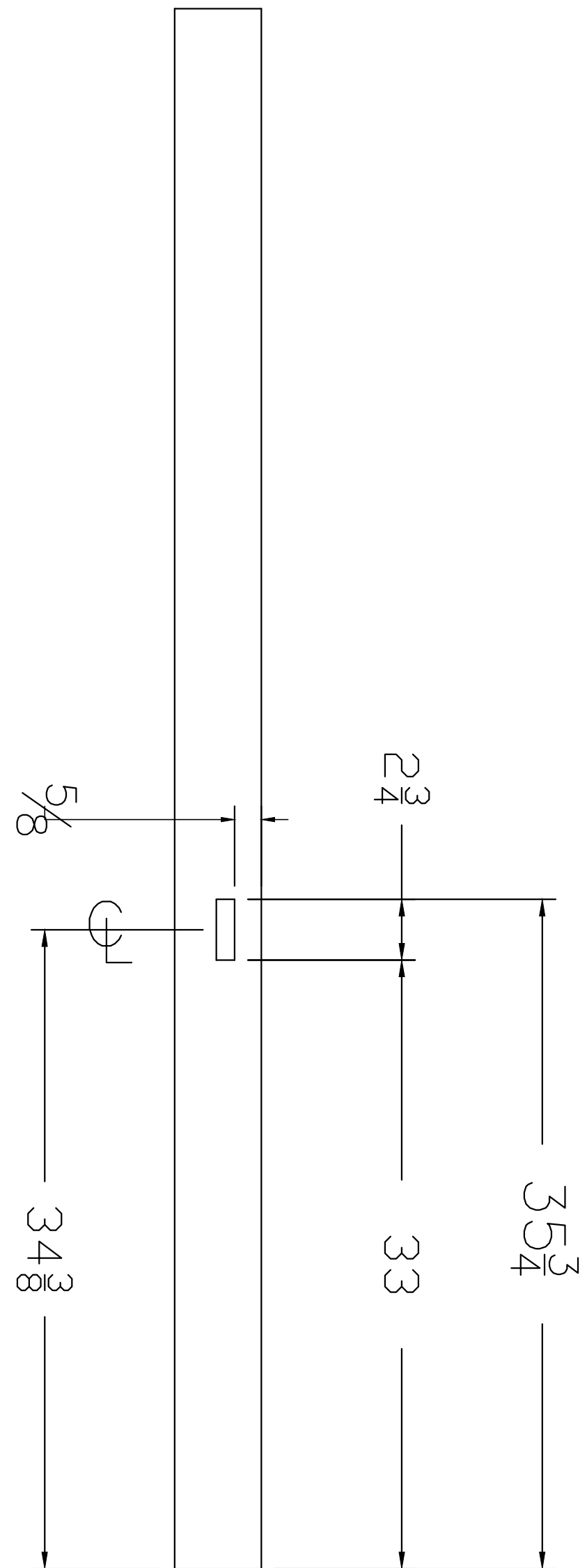
DATE: AUGUST 2014
 TEL: (905) 738-0188
 FAX: (905) 738-6132
 E-MAIL: CDS2009@BELLNET.CA

PAGE:
A10

DOOR SIDE DIMENSIONS



MS LOCK
STANDARD CUT OUT



SHORT THROW LOCK
STANDARD CUT OUT



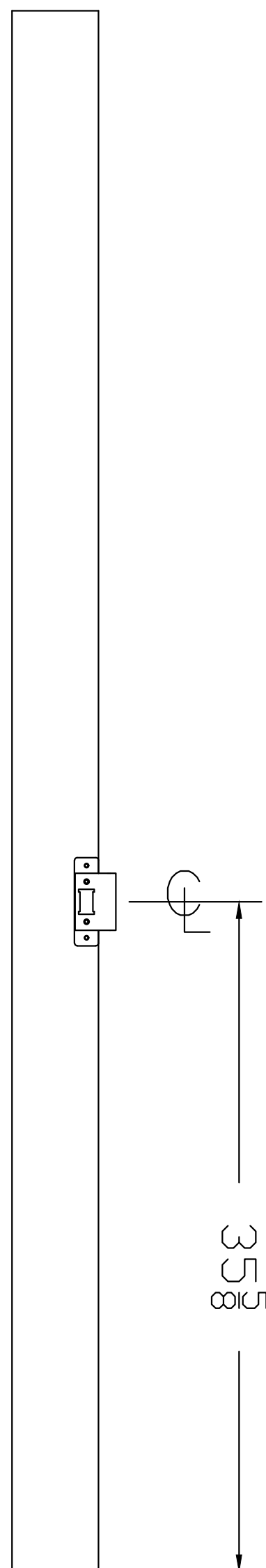
**COMMERCIAL DESIGN
SYSTEMS INC.**

DATE: AUGUST 2014
TEL: (905) 738-0188
FAX: (905) 738-6132
E-MAIL: CDS2009@BELLNET.CA

PAGE:

A11

DOOR SIDE DIMENSIONS



LATCH LOCK
CENTER OF STRIKE



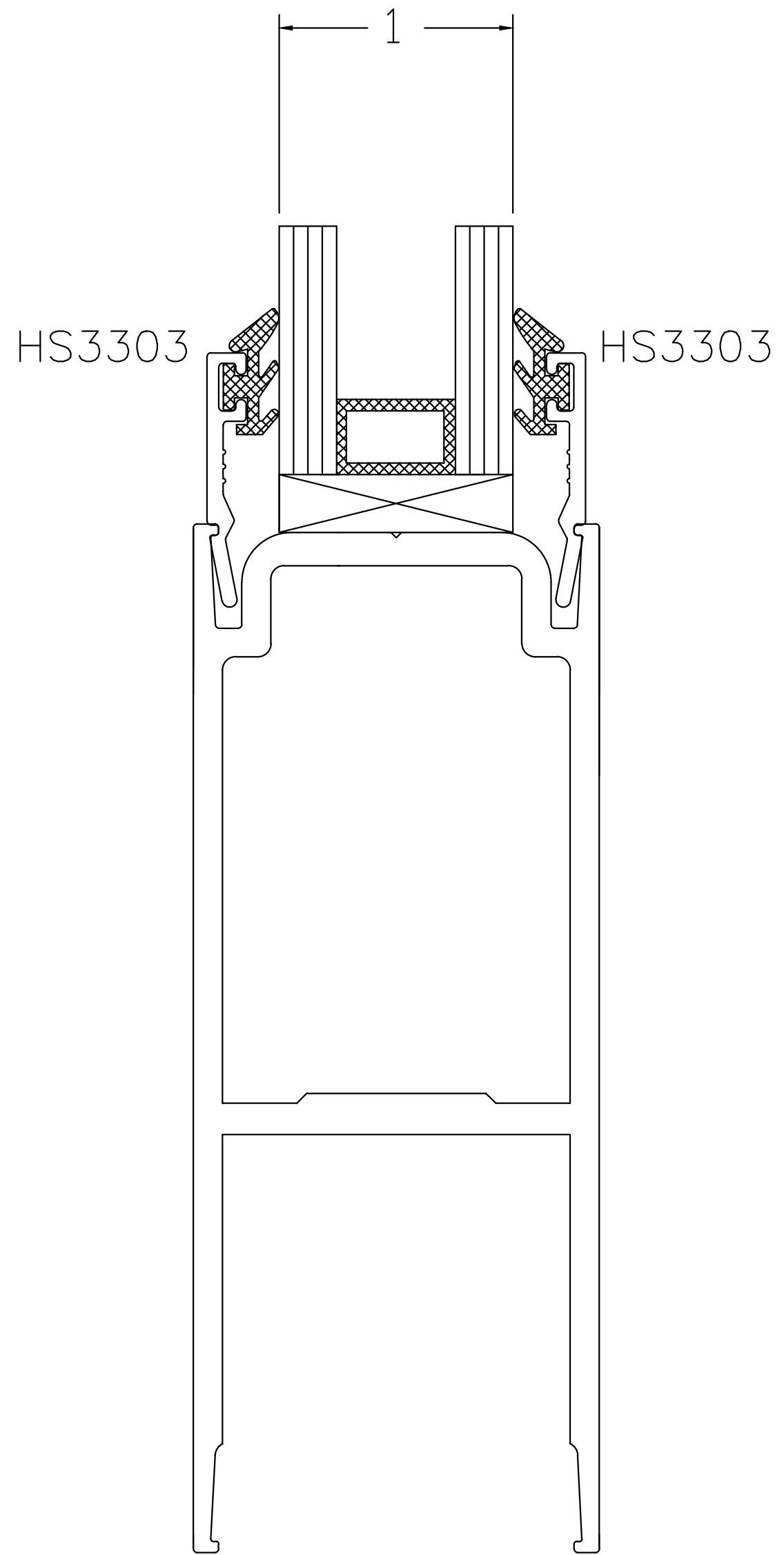
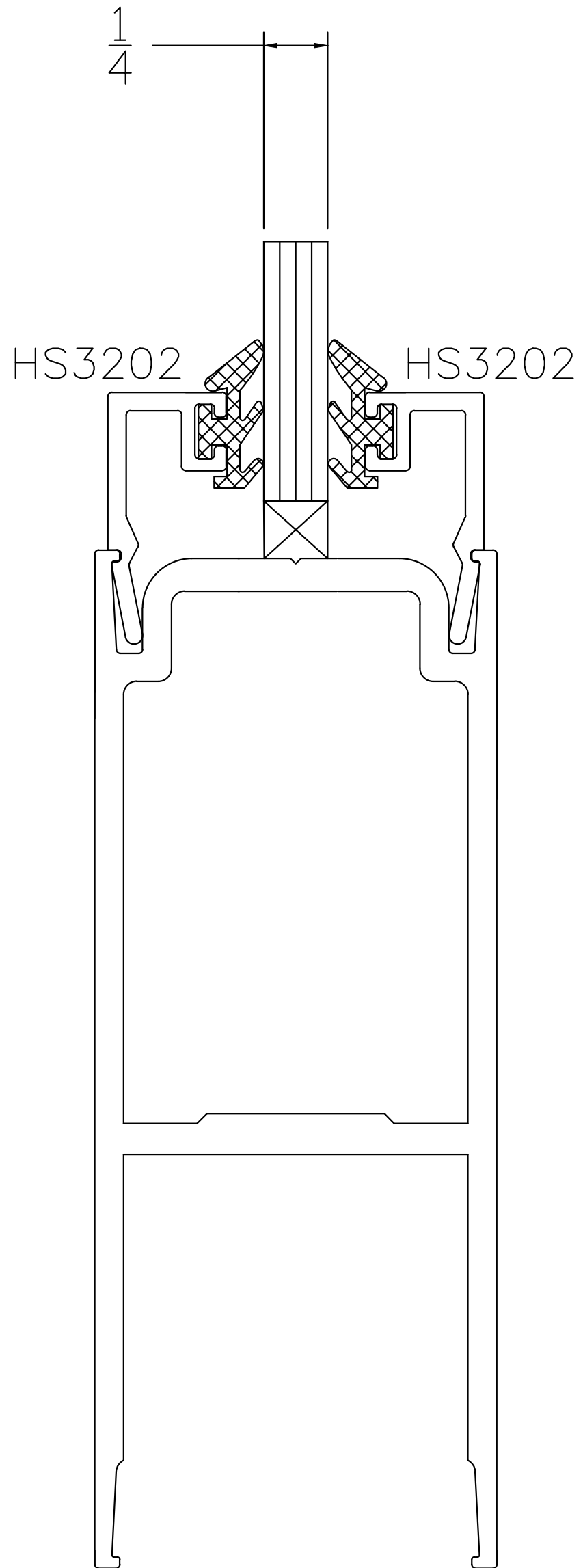
**COMMERCIAL DESIGN
SYSTEMS INC.**

DATE: AUGUST 2014
TEL: (905) 738-0188
FAX: (905) 738-6132
E-MAIL: CDS2009@BELLNET.CA

PAGE:

A12

GLASS STOPS



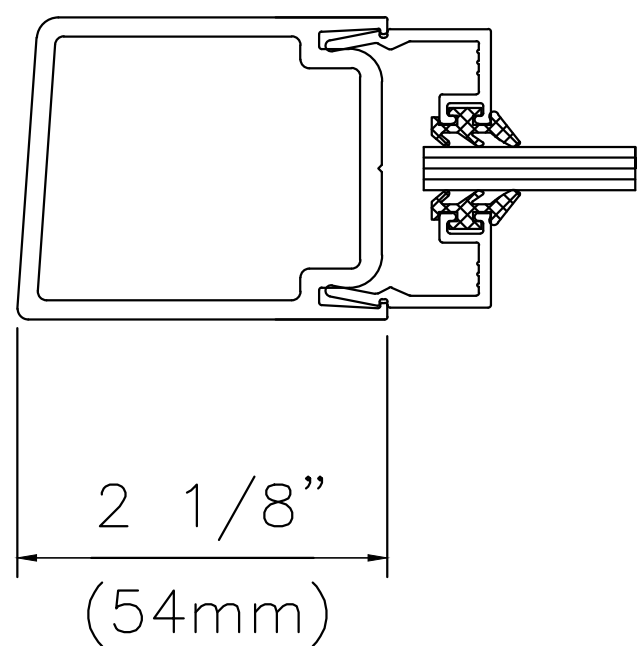
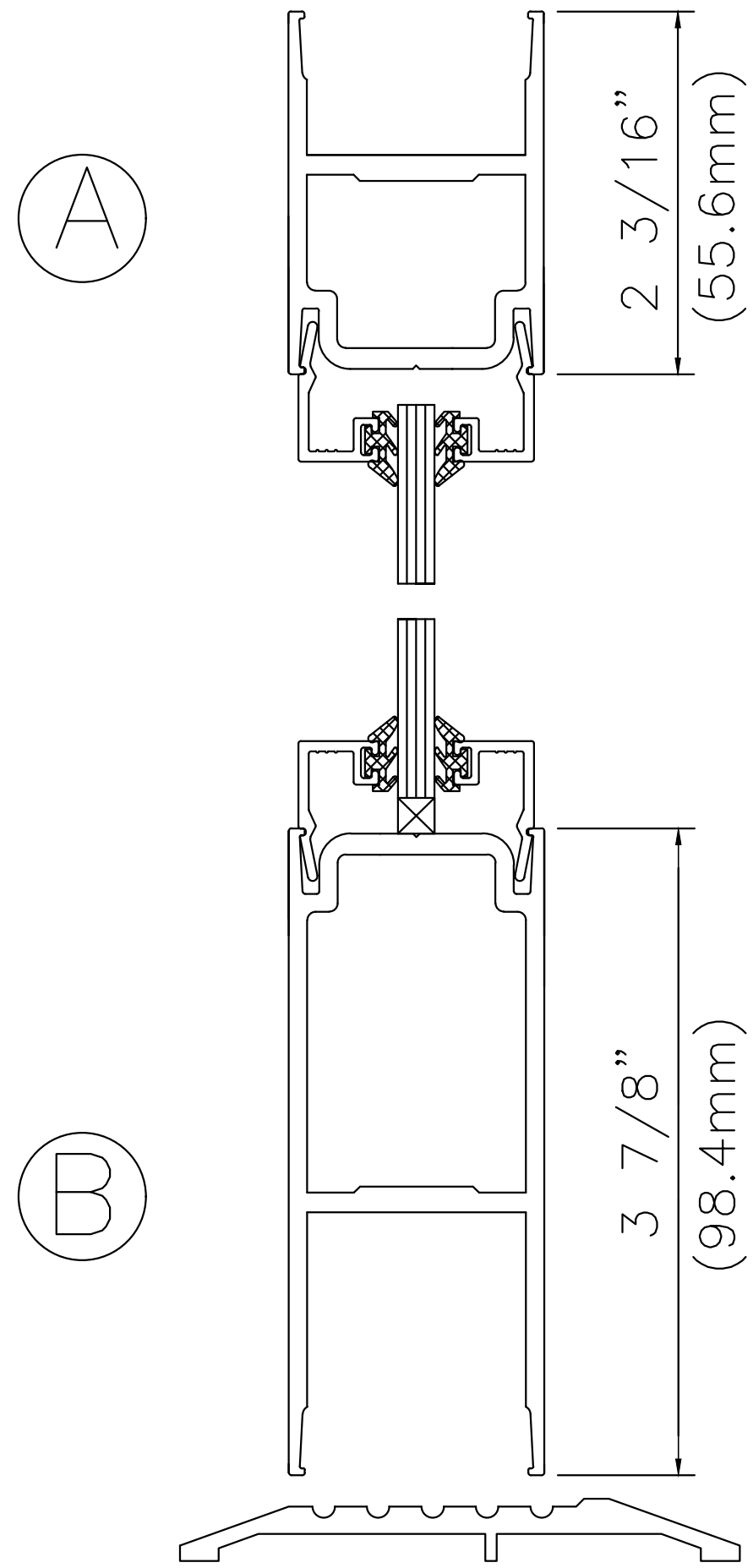
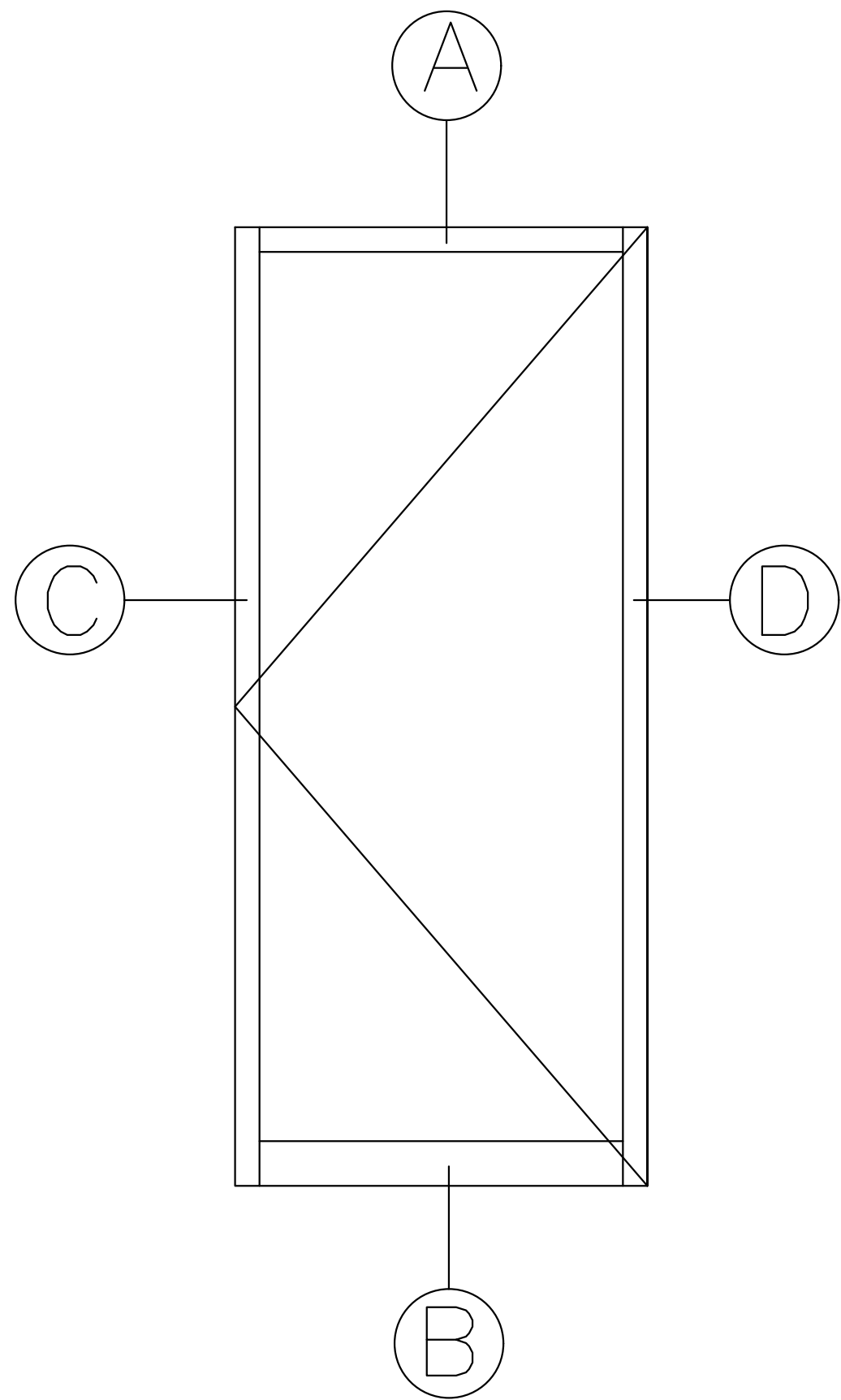
**COMMERCIAL DESIGN
SYSTEMS INC.**

DATE: AUGUST 2014
TEL: (905) 738-0188
FAX: (905) 738-6132
E-MAIL: CDS2009@BELLNET.CA

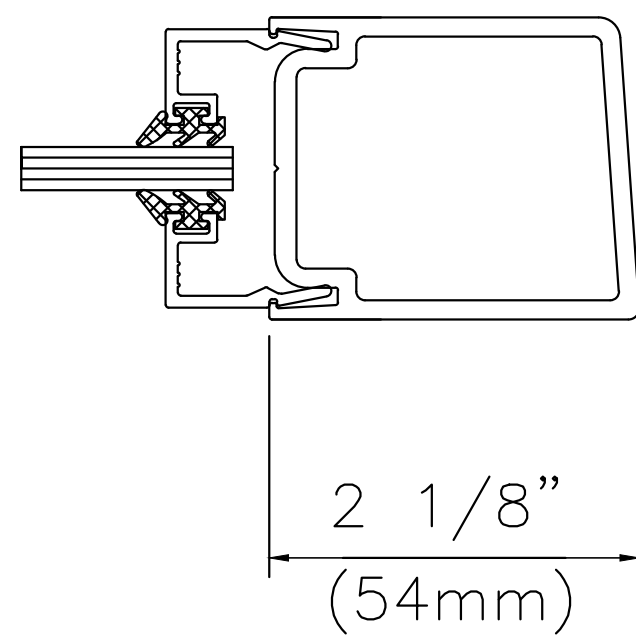
PAGE:

A13

210 NARROW STILE DOORS



(C)



(D)

FOR STANDARD DOOR SIZE:
GLASS SIZE: $31 \frac{1}{8}$ " X $76 \frac{5}{8}$ "



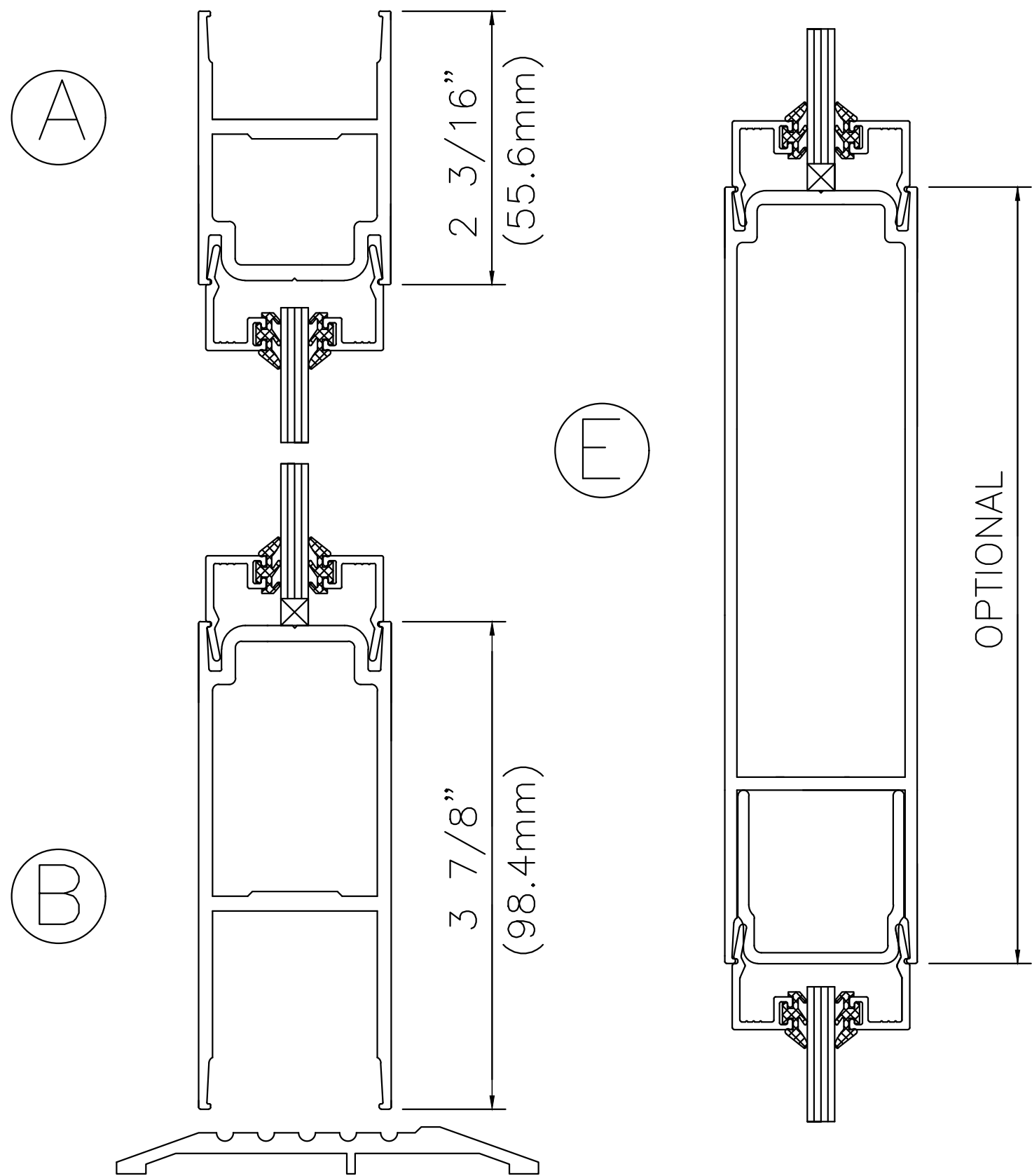
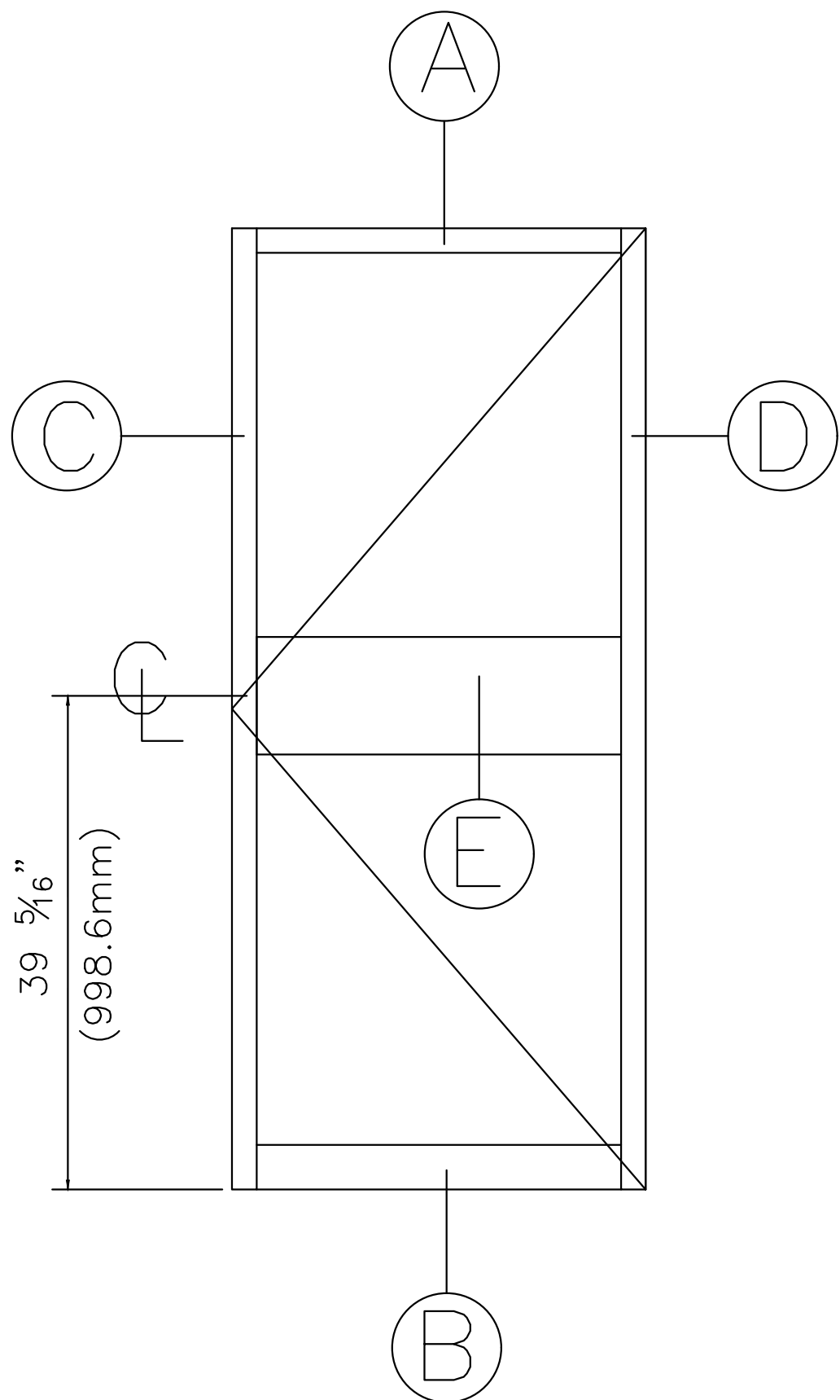
**COMMERCIAL DESIGN
SYSTEMS INC.**

DATE: AUGUST 2014
TEL: (905) 738-0188
FAX: (905) 738-6132
E-MAIL: CDS2009@BELLNET.CA

PAGE:

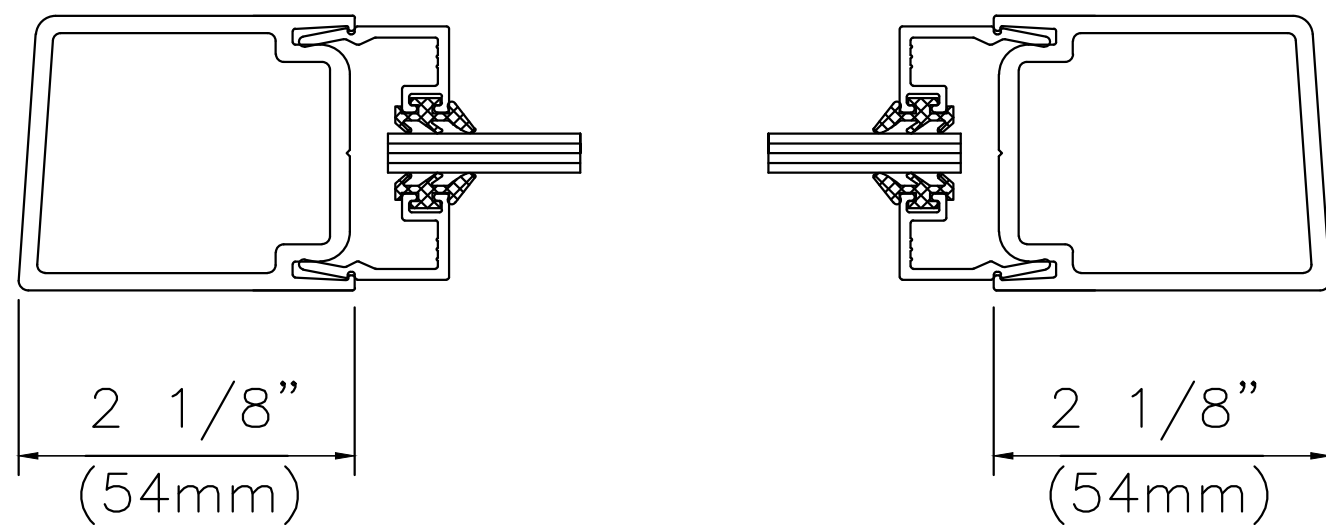
B1

210 NARROW STILE DOORS WITH MID-RAIL



GLASS SIZE WITH MID-RAIL:
WITH STANDARD DOOR SIZE (3' X 7')

2 $\frac{3}{16}$ "	31 $\frac{1}{8}$ " X 33 $\frac{7}{8}$ " (BOTTOM)
	31 $\frac{1}{8}$ " X 40 $\frac{1}{8}$ " (TOP)
3 $\frac{7}{8}$ "	31 $\frac{1}{8}$ " X 33" (BOTTOM)
	31 $\frac{1}{8}$ " X 39 $\frac{1}{4}$ " (TOP)
5 $\frac{3}{8}$ "	31 $\frac{1}{8}$ " X 32 $\frac{1}{4}$ " (BOTTOM)
	31 $\frac{1}{8}$ " X 38 $\frac{1}{2}$ " (TOP)
7"	31 $\frac{1}{8}$ " X 31 $\frac{7}{16}$ " (BOTTOM)
	31 $\frac{1}{8}$ " X 37 $\frac{11}{16}$ " (TOP)
8"	31 $\frac{1}{8}$ " X 30 $\frac{15}{16}$ " (BOTTOM)
	31 $\frac{1}{8}$ " X 37 $\frac{3}{16}$ " (TOP)
10"	31 $\frac{1}{8}$ " X 29 $\frac{15}{16}$ " (BOTTOM)
	31 $\frac{1}{8}$ " X 36 $\frac{3}{16}$ " (TOP)



(C)

(D)



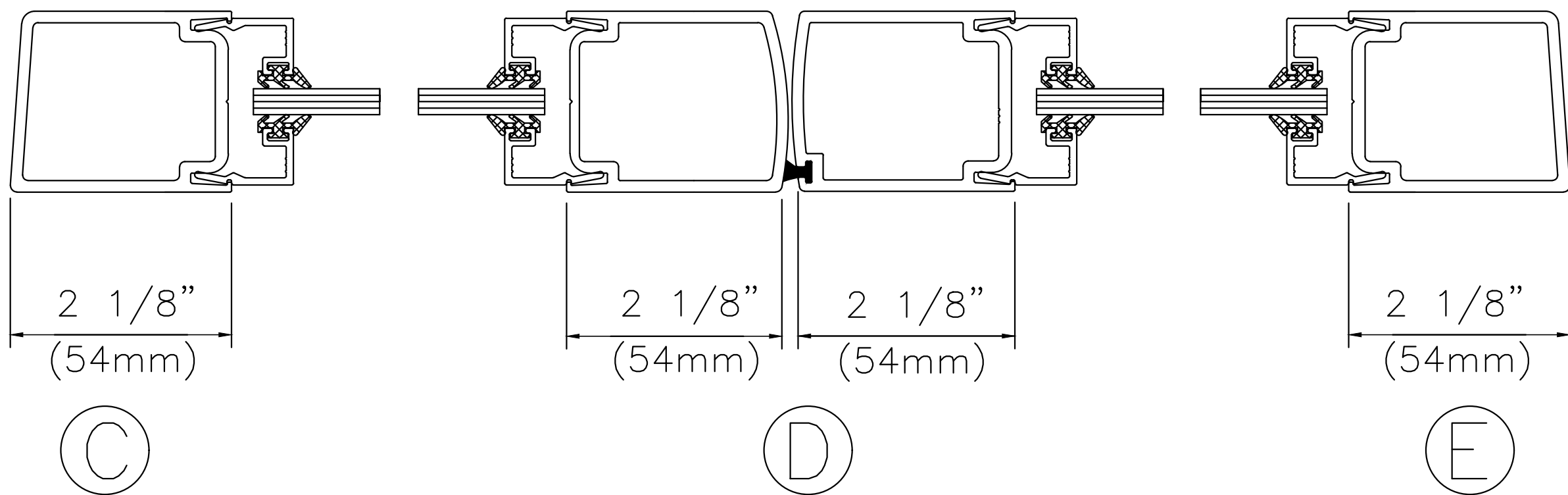
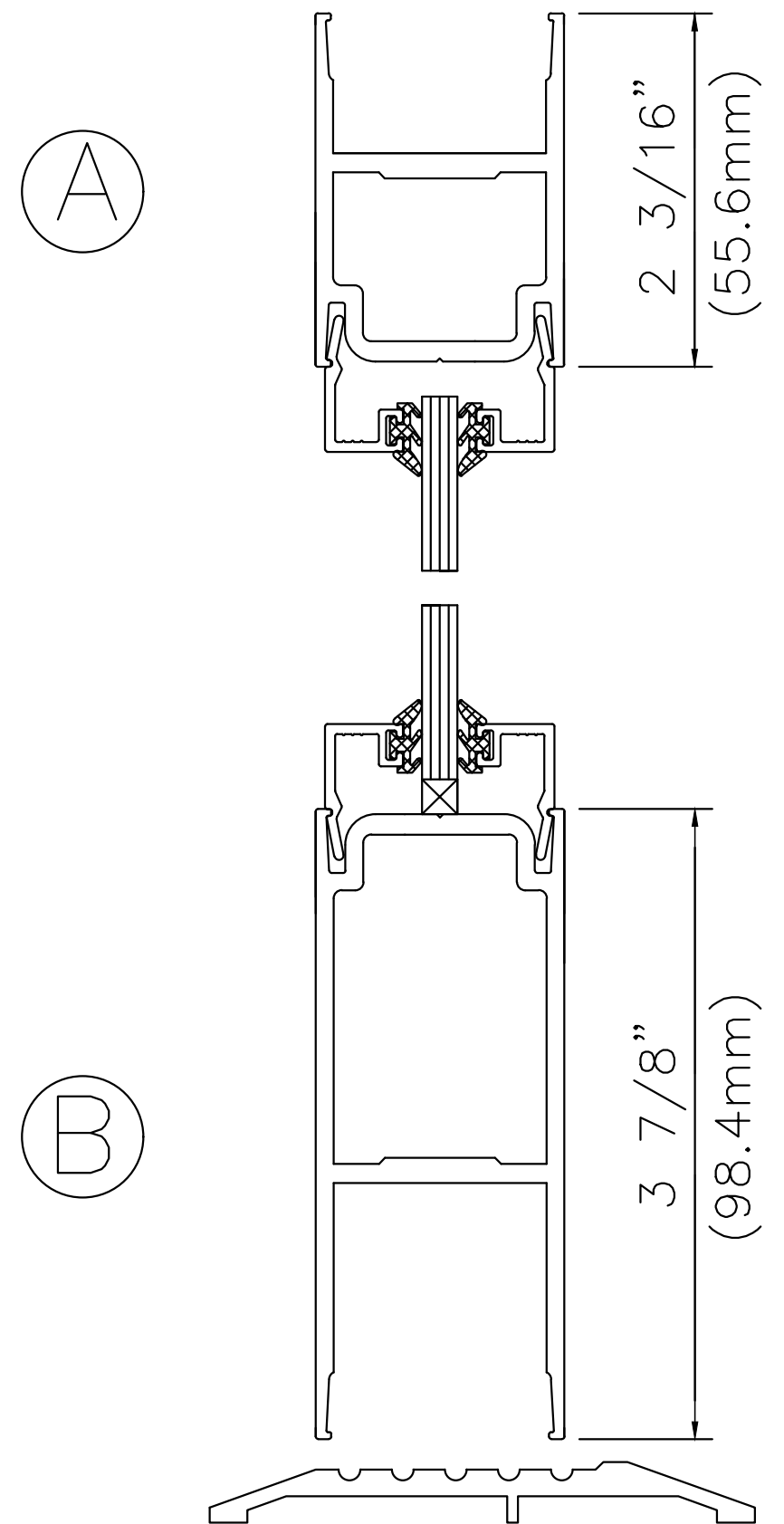
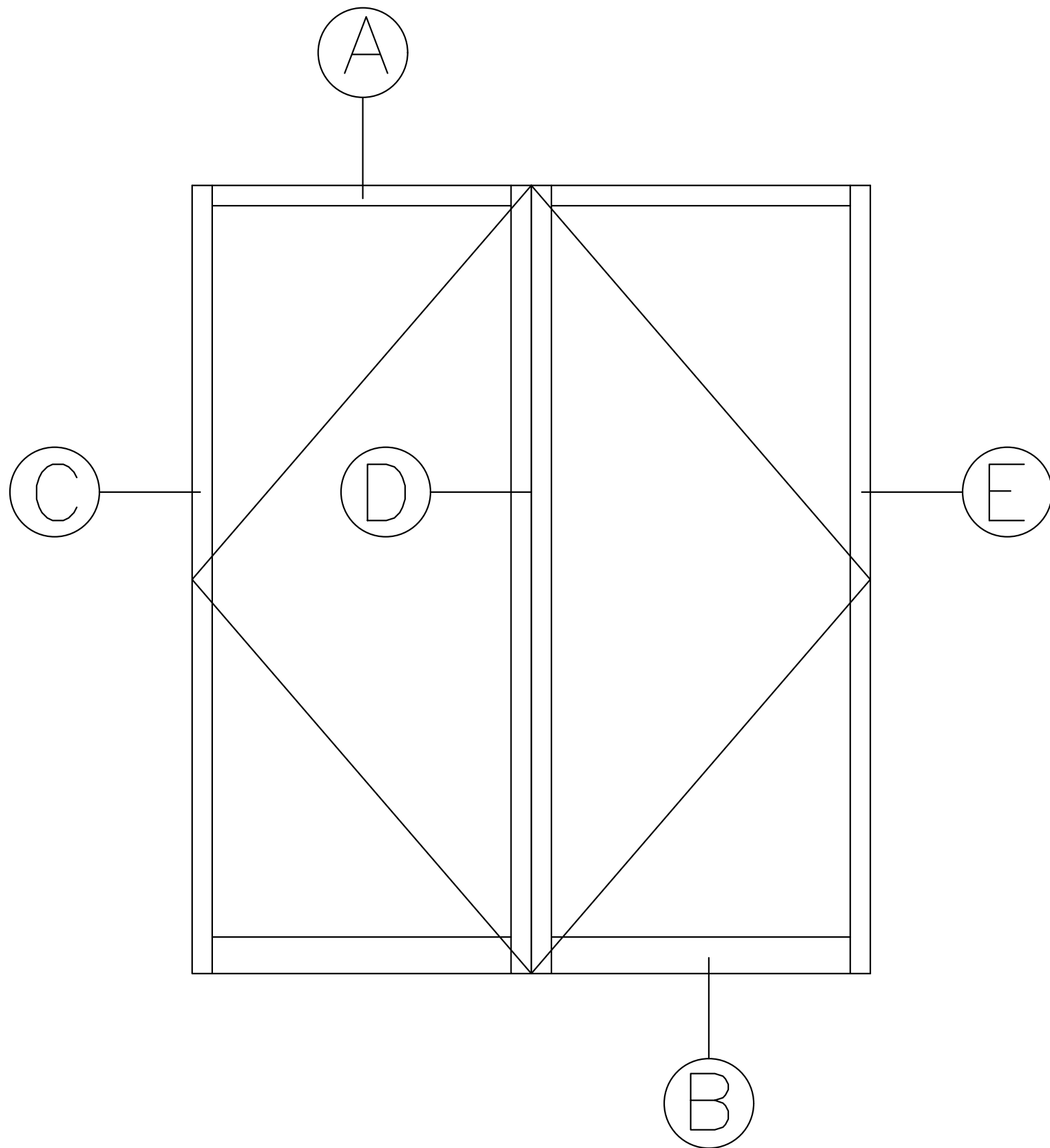
**COMMERCIAL DESIGN
SYSTEMS INC.**

DATE: AUGUST 2014
 TEL: (905) 738-0188
 FAX: (905) 738-6132
 E-MAIL: CDS2009@BELLNET.CA

PAGE:

B2

210 NARROW STILE PAIR DOORS



FOR STANDARD DOOR SIZE:
 GLASS SIZE: $31 \frac{1}{8}$ " X $76 \frac{5}{8}$ "

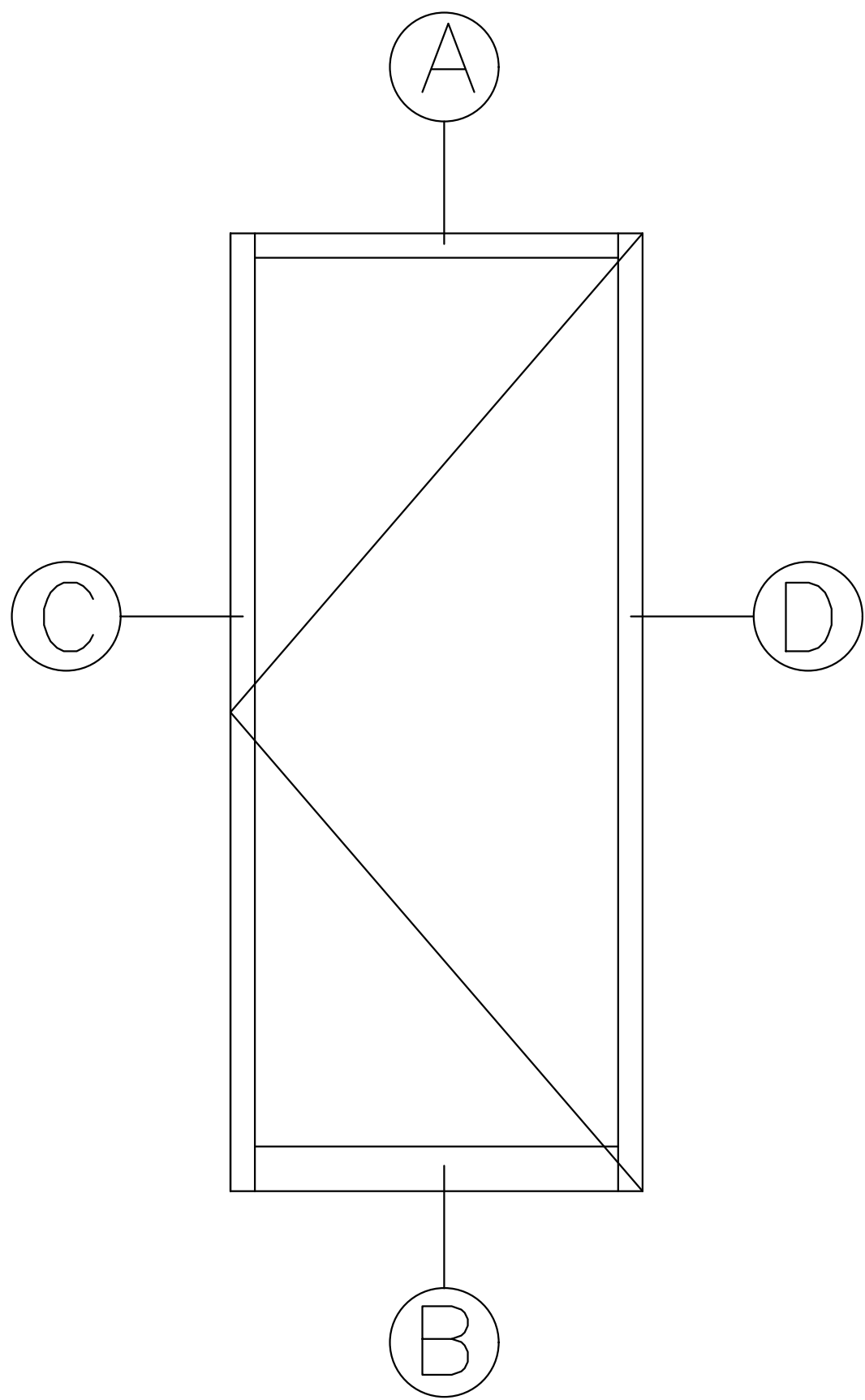


**COMMERCIAL DESIGN
 SYSTEMS INC.**

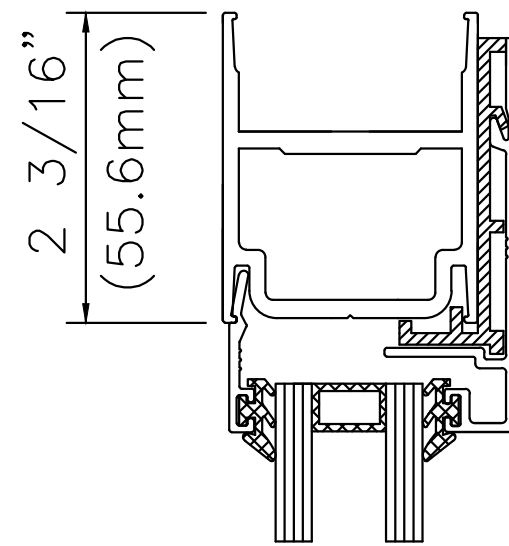
DATE: AUGUST 2014
 TEL: (905) 738-0188
 FAX: (905) 738-6132
 E-MAIL: CDS2009@BELLNET.CA

PAGE:
 B3

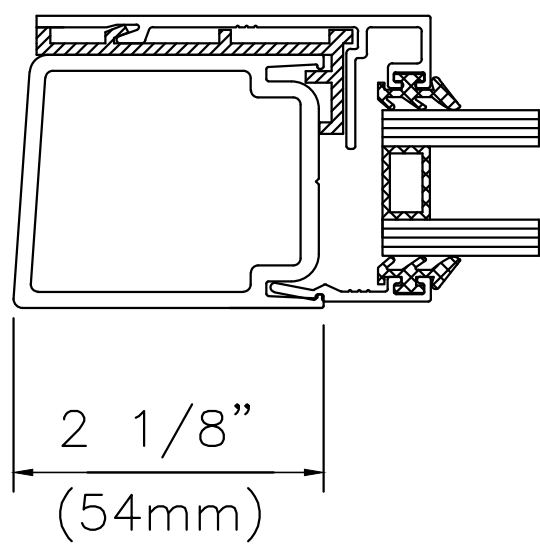
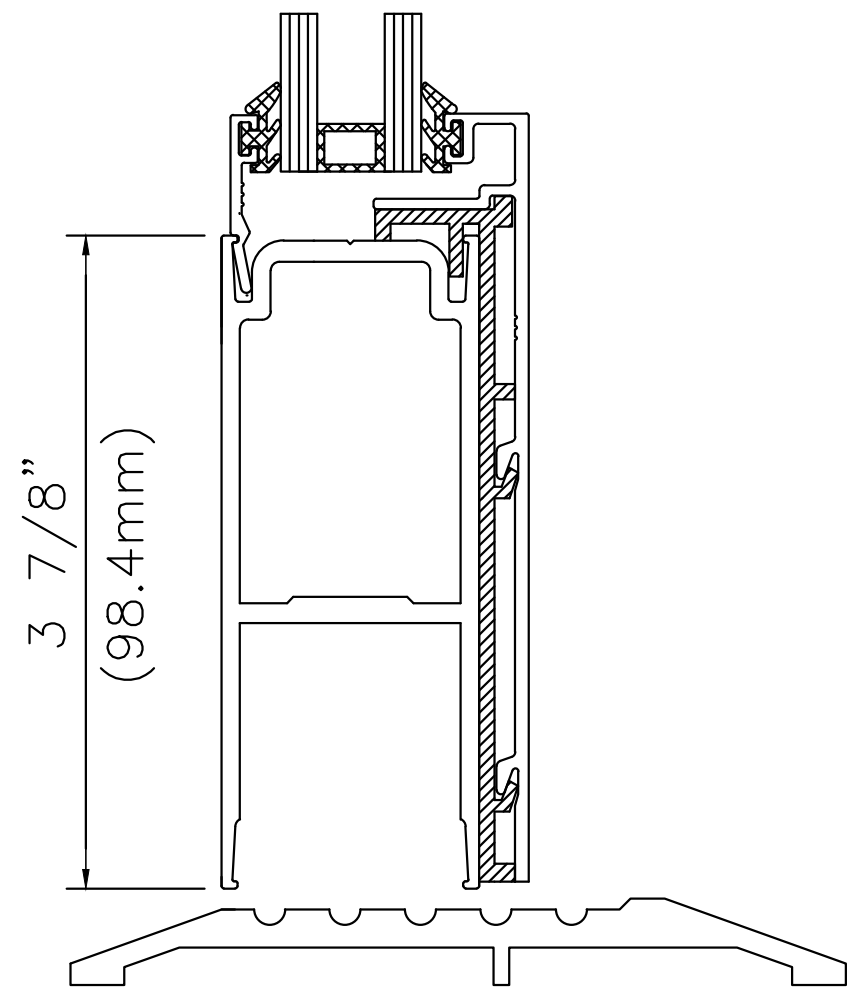
210 NARROW STILE INSULATED DOORS



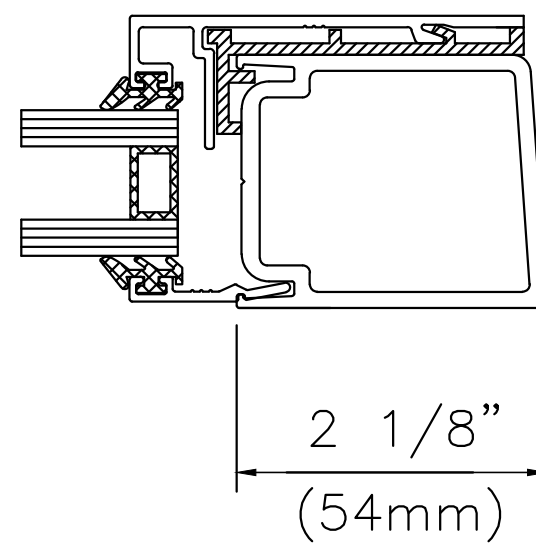
(A)



(B)



(C)



(D)

FOR STANDARD DOOR SIZE
 GLASS SIZE: S/U AT $30 \frac{7}{8}''$ X $76 \frac{7}{16}''$



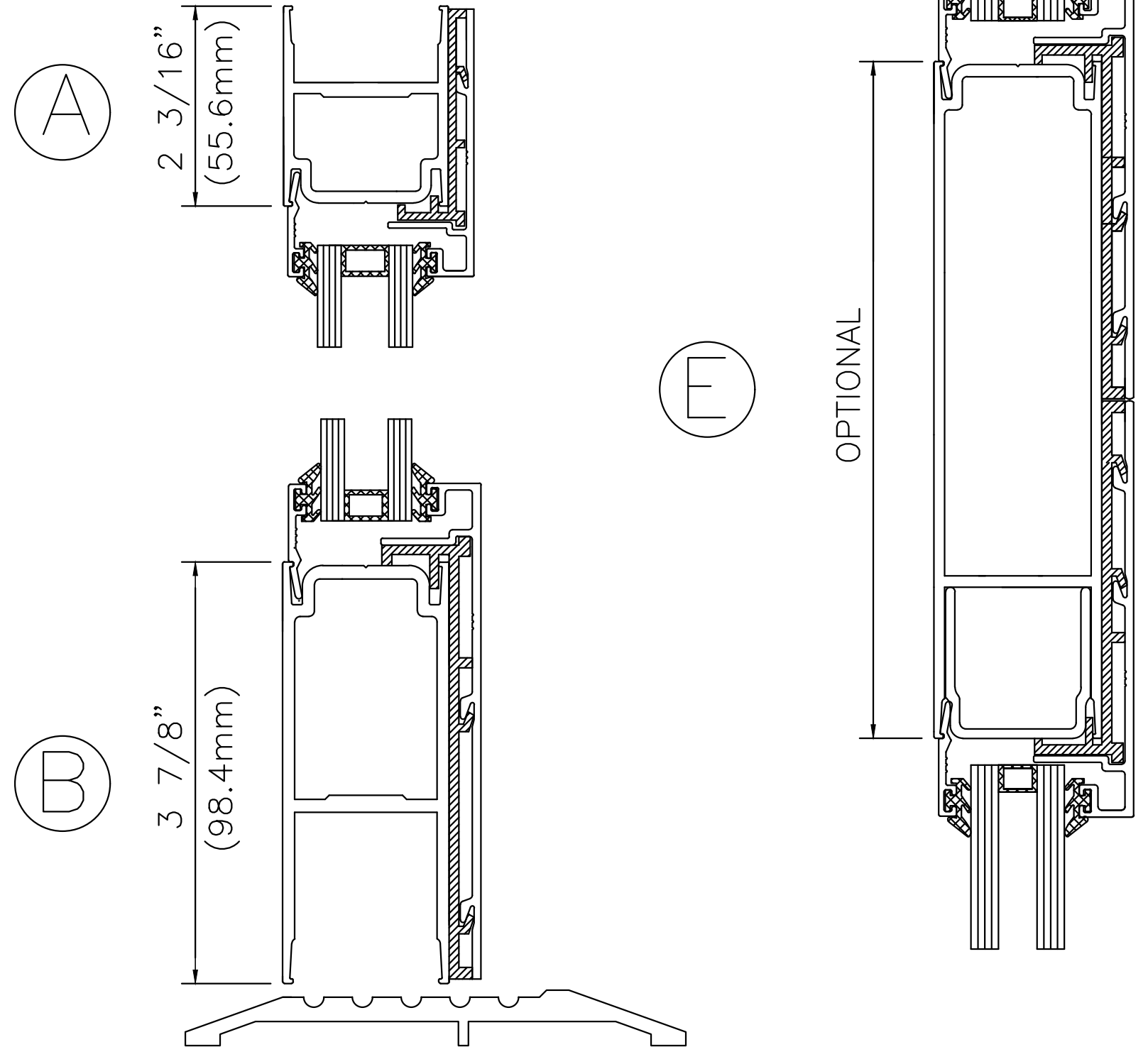
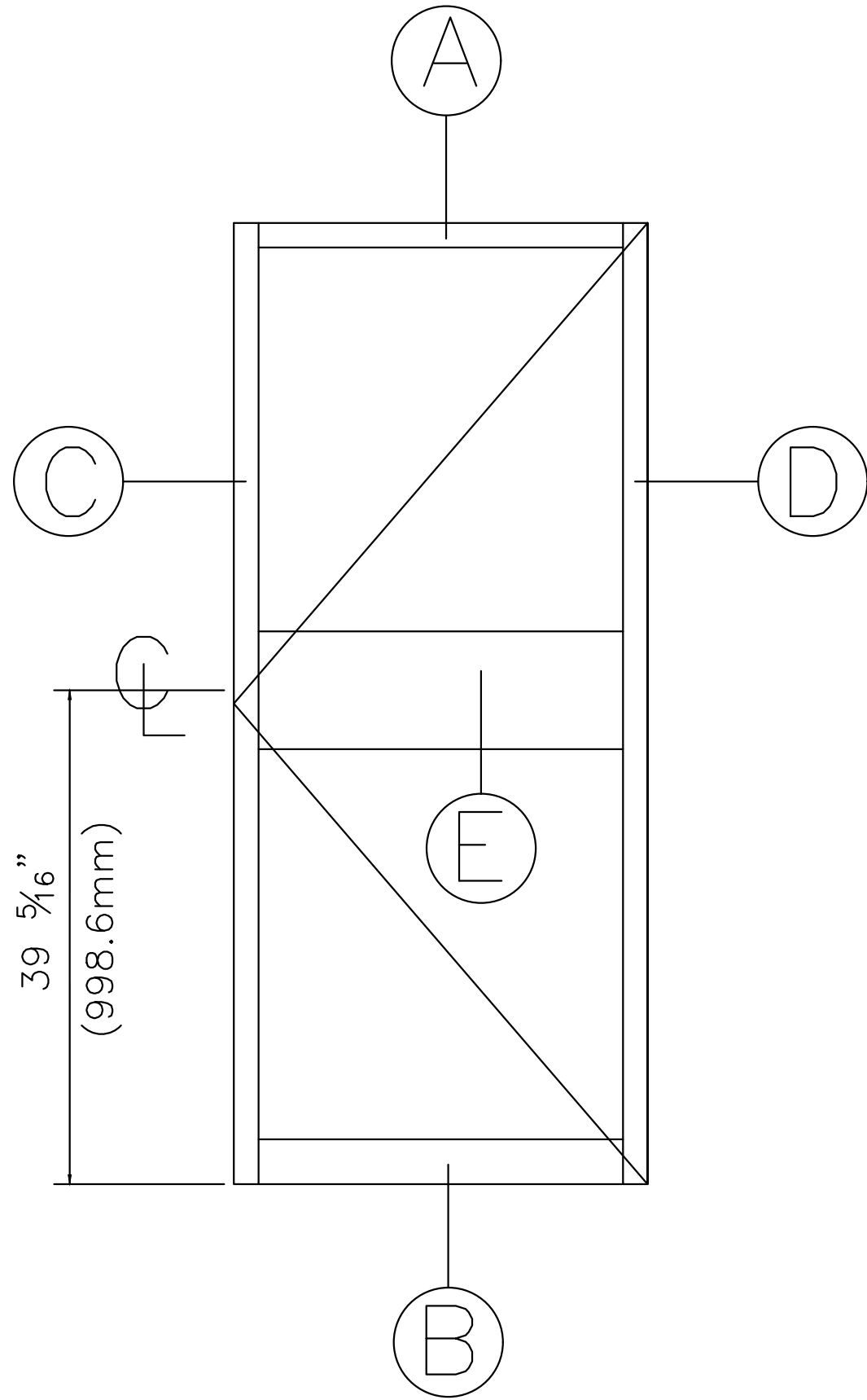
**COMMERCIAL DESIGN
 SYSTEMS INC.**

DATE: AUGUST 2014
 TEL: (905) 738-0188
 FAX: (905) 738-6132
 E-MAIL: CDS2009@BELLNET.CA

PAGE:

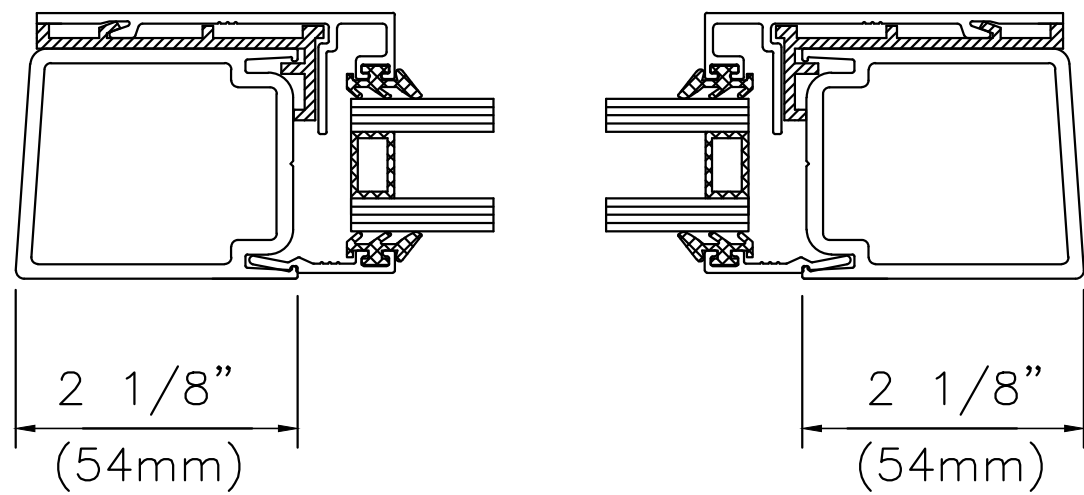
B4

210 NARROW STILE INSULATED DOORS WITH MID-RAIL



GLASS SIZE WITH CENTER RAIL:
WITH STANDARD DOOR SIZE
(3' X 7')

2 $\frac{3}{16}$ "	30 $\frac{7}{8}$ " X 33 $\frac{11}{16}$ " (BOTTOM)
	30 $\frac{7}{8}$ " X 39 $\frac{15}{16}$ " (TOP)
3 $\frac{7}{8}$ "	30 $\frac{7}{8}$ " X 32 $\frac{13}{16}$ " (BOTTOM)
	30 $\frac{7}{8}$ " X 39 $\frac{1}{16}$ " (TOP)
5 $\frac{3}{8}$ "	30 $\frac{7}{8}$ " X 32 $\frac{1}{16}$ " (BOTTOM)
	30 $\frac{7}{8}$ " X 38 $\frac{5}{16}$ " (TOP)
7"	30 $\frac{7}{8}$ " X 31 $\frac{1}{4}$ " (BOTTOM)
	30 $\frac{7}{8}$ " X 37 $\frac{1}{2}$ " (TOP)
8"	30 $\frac{7}{8}$ " X 30 $\frac{3}{4}$ " (BOTTOM)
	30 $\frac{7}{8}$ " X 37" (TOP)
10"	30 $\frac{7}{8}$ " X 29 $\frac{3}{4}$ " (BOTTOM)
	30 $\frac{7}{8}$ " X 36" (TOP)



(C)

(D)



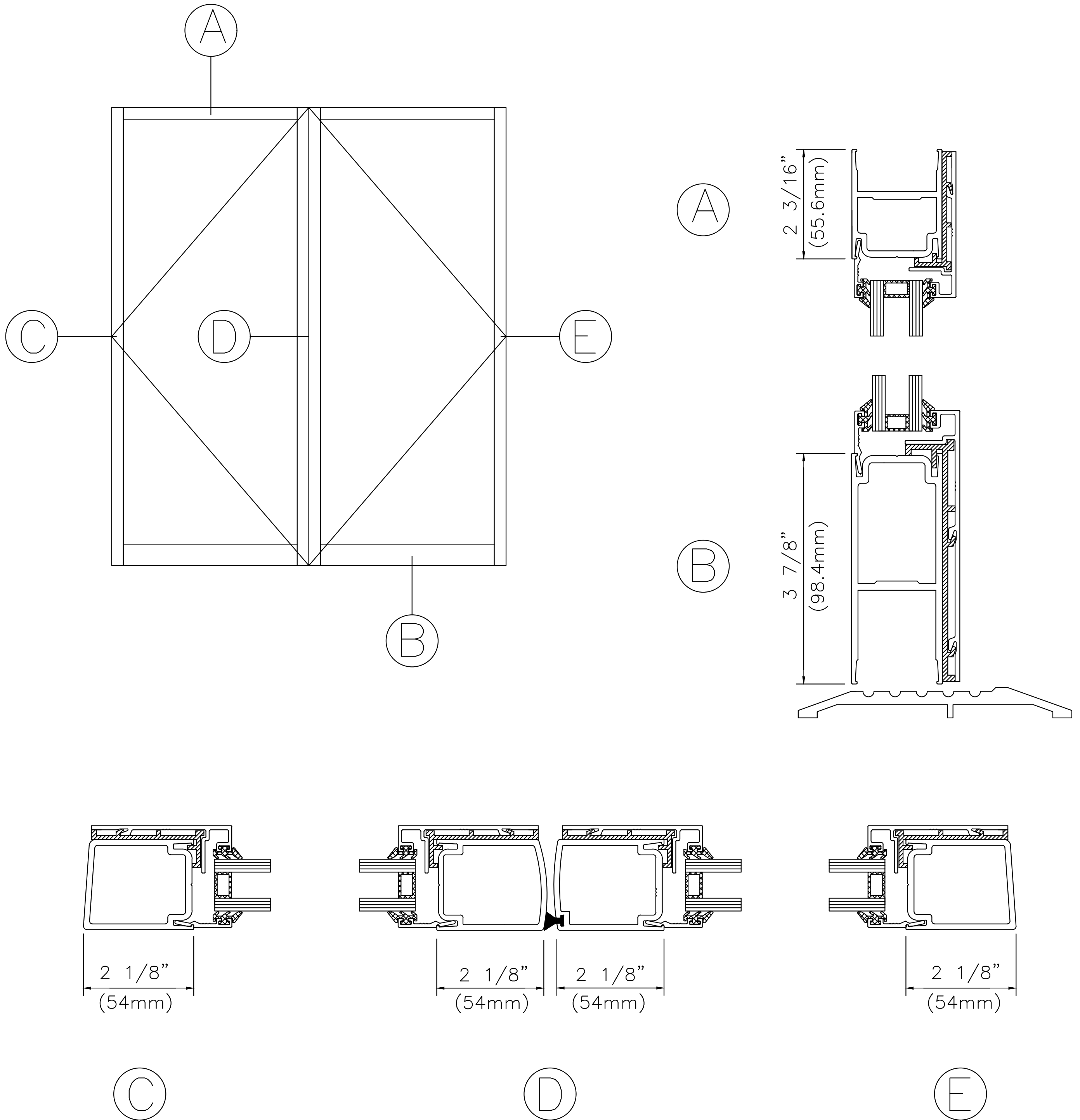
**COMMERCIAL DESIGN
SYSTEMS INC.**

DATE: AUGUST 2014
TEL: (905) 738-0188
FAX: (905) 738-6132
E-MAIL: CDS2009@BELLNET.CA

PAGE:

B5

210 NARROW STILE INSULATED PAIR DOORS



GLASS SIZE: 2 S/U AT $30 \frac{7}{8}$ " X $76 \frac{7}{16}$ "



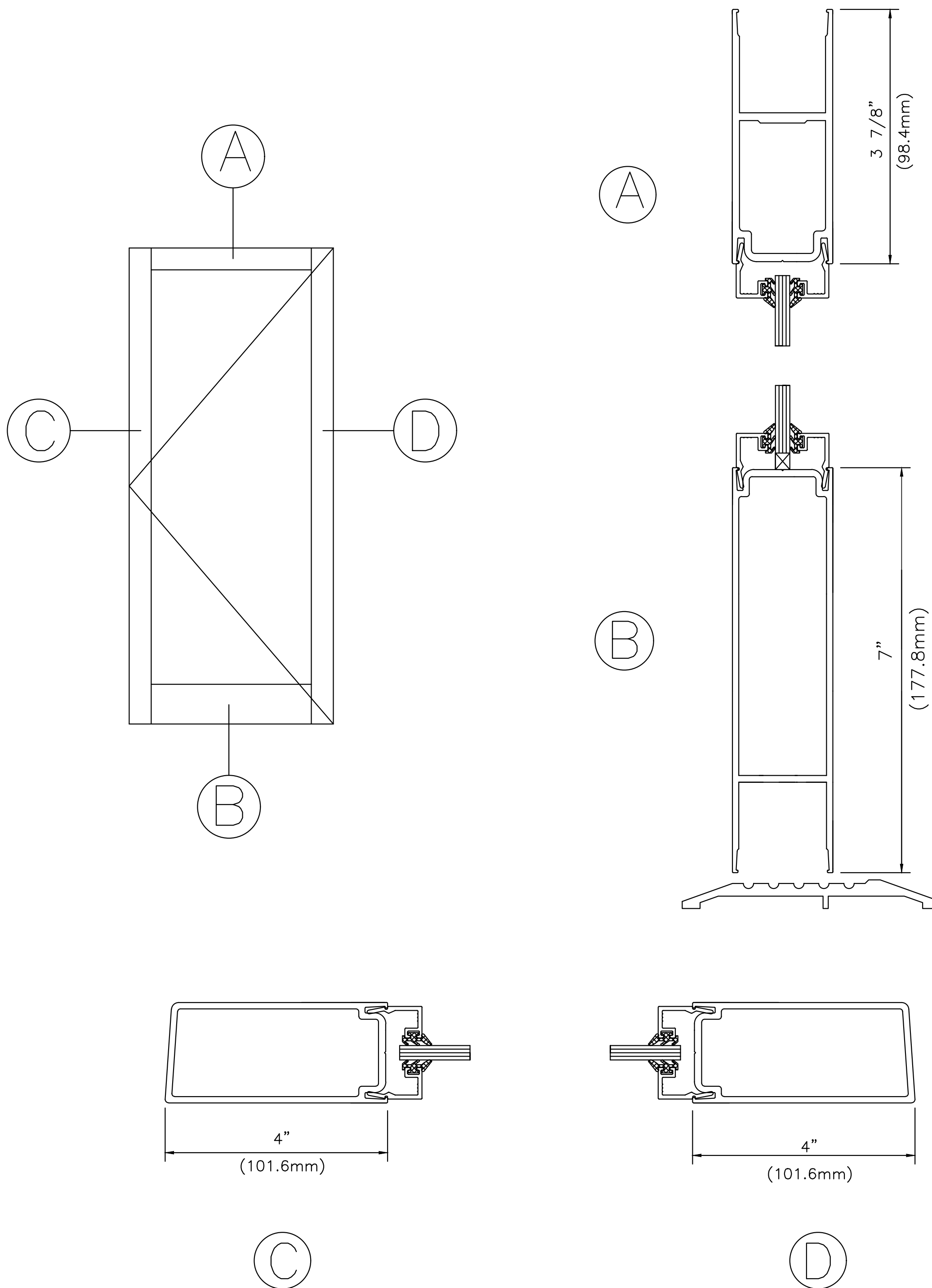
**COMMERCIAL DESIGN
SYSTEMS INC.**

DATE: AUGUST 2014
 TEL: (905) 738-0188
 FAX: (905) 738-6132
 E-MAIL: CDS2009@BELLNET.CA

PAGE:

B6

400 MEDIUM STILE DOORS



STANDARD DOOR (3' X 7')

GLASS SIZE: $27\frac{3}{8}$ " X $71\frac{13}{16}$ "



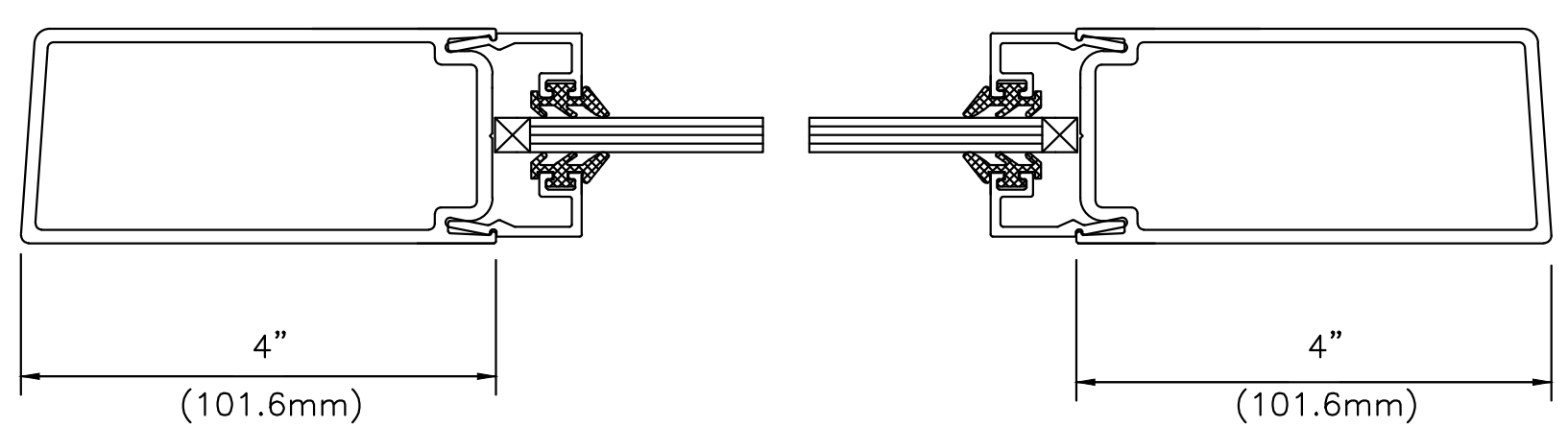
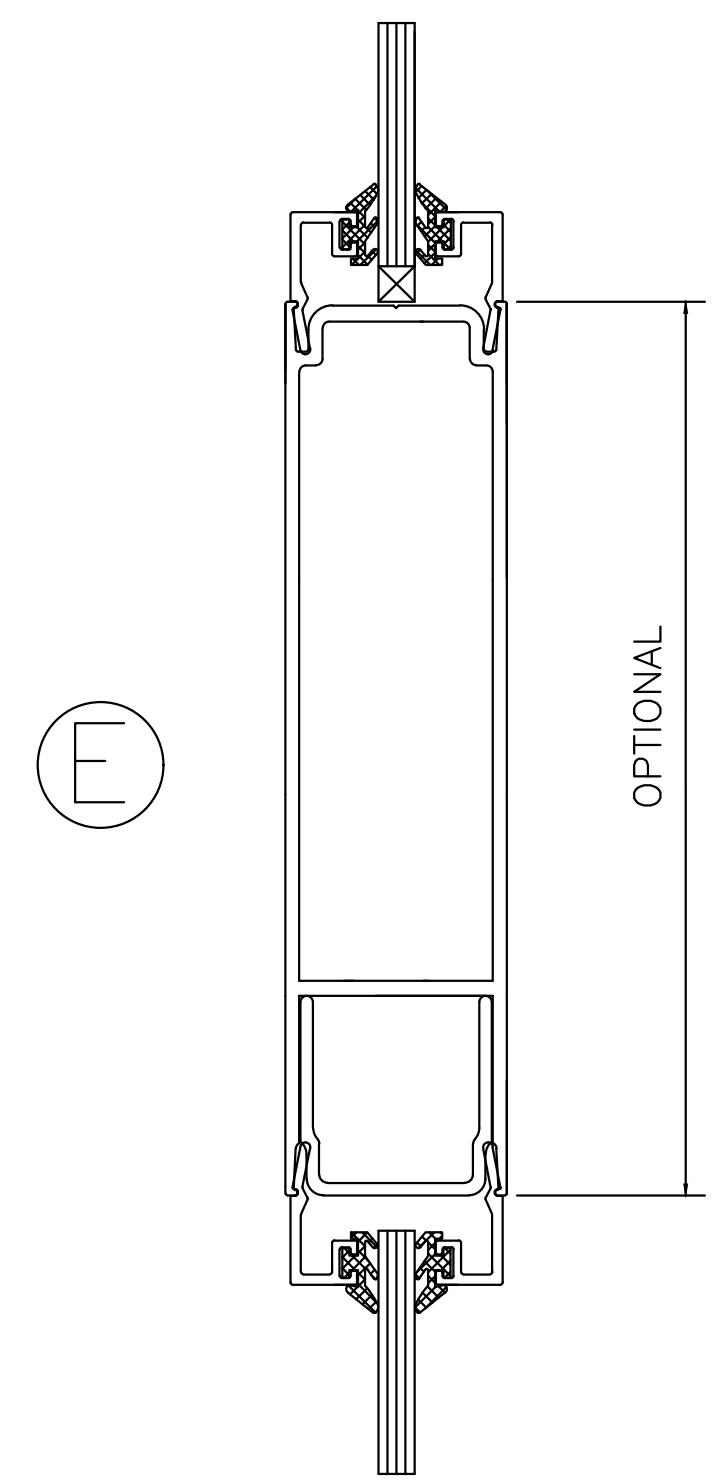
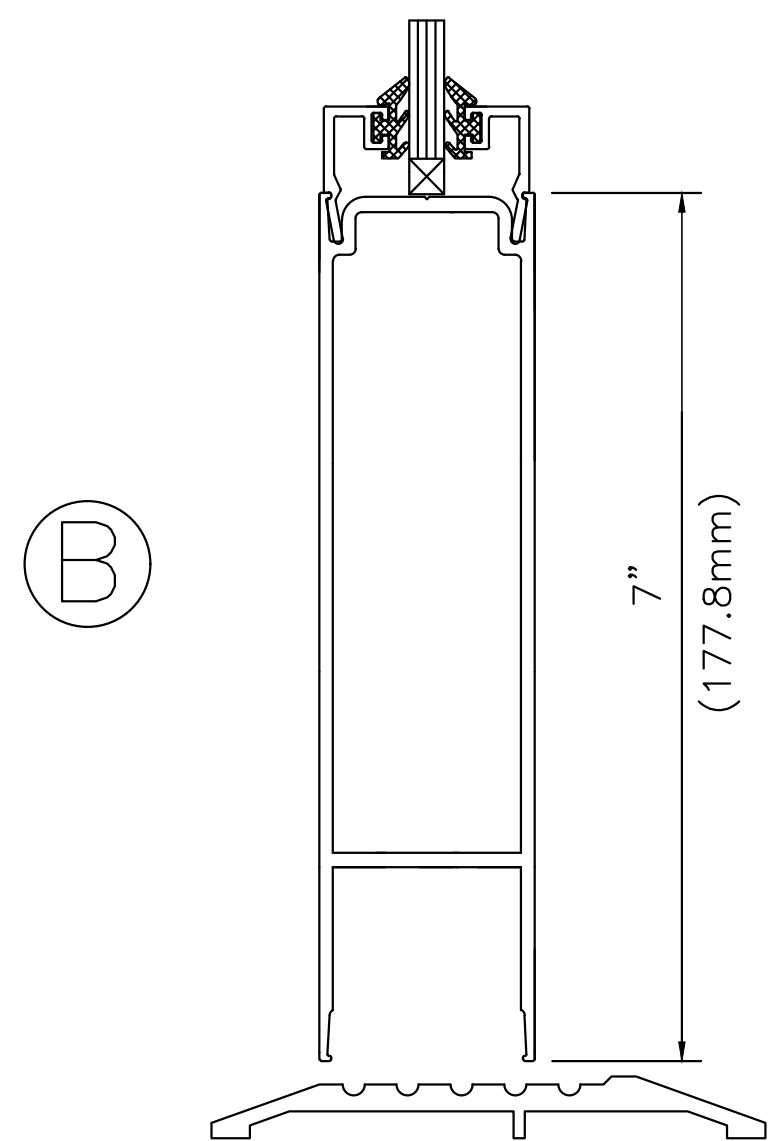
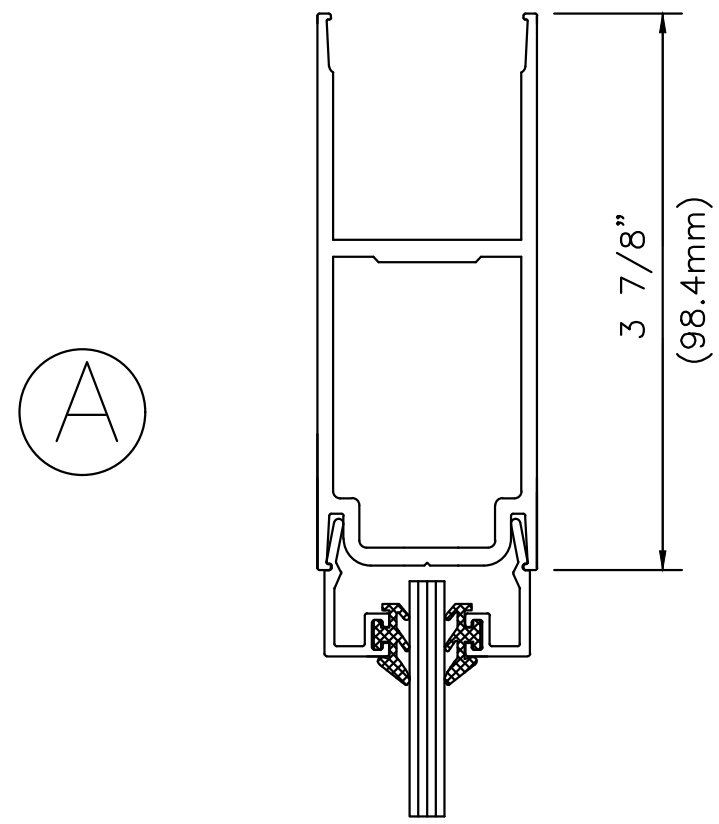
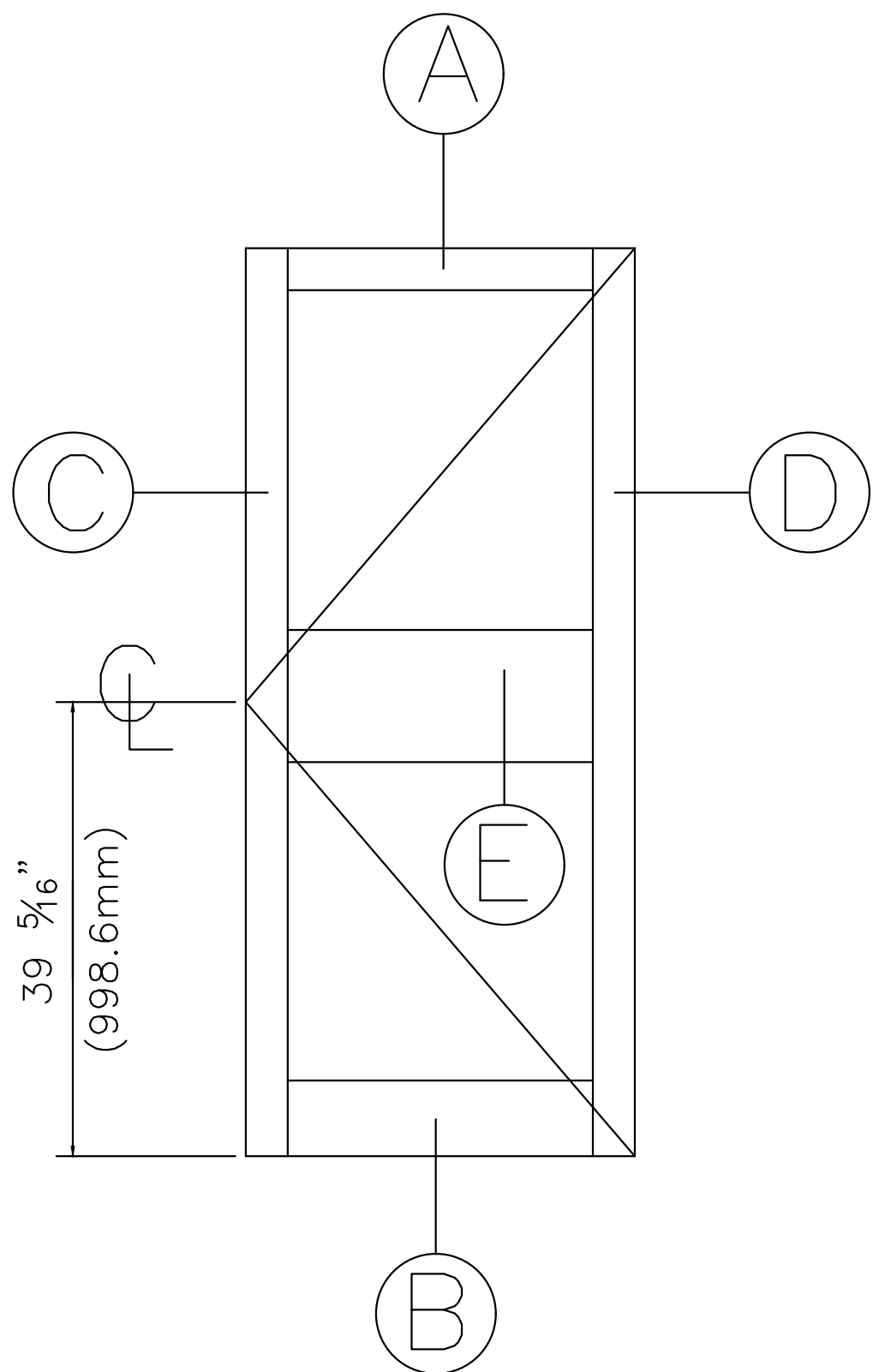
**COMMERCIAL DESIGN
SYSTEMS INC.**

DATE: AUGUST 2014
 TEL: (905) 738-0188
 FAX: (905) 738-6132
 E-MAIL: CDS2009@BELLNET.CA

PAGE:

C1

400 MEDIUM STILE DOORS WITH MID-RAIL



GLASS SIZE WITH MID-RAIL:
WITH STANDARD DOOR SIZE (3' X 7')

2 3/16"	27 3/8" X 30 3/4" (BOTTOM)
	27 3/8" X 38 7/16" (TOP)
3 7/8"	27 3/8" X 29 7/8" (BOTTOM)
	27 3/8" X 37 9/16" (TOP)
5 3/8"	27 3/8" X 29 1/8" (BOTTOM)
	27 3/8" X 36 13/16" (TOP)
7"	27 3/8" X 28 5/16" (BOTTOM)
	27 3/8" X 36" (TOP)
8"	27 3/8" X 27 13/16" (BOTTOM)
	27 3/8" X 35 1/2" (TOP)
10"	27 3/8" X 26 13/16" (BOTTOM)
	27 3/8" X 34 1/2" (TOP)



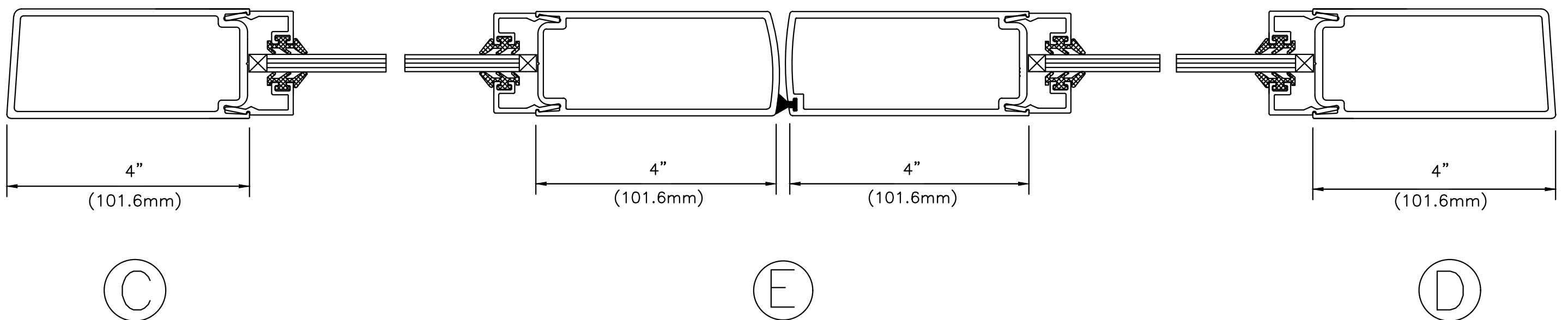
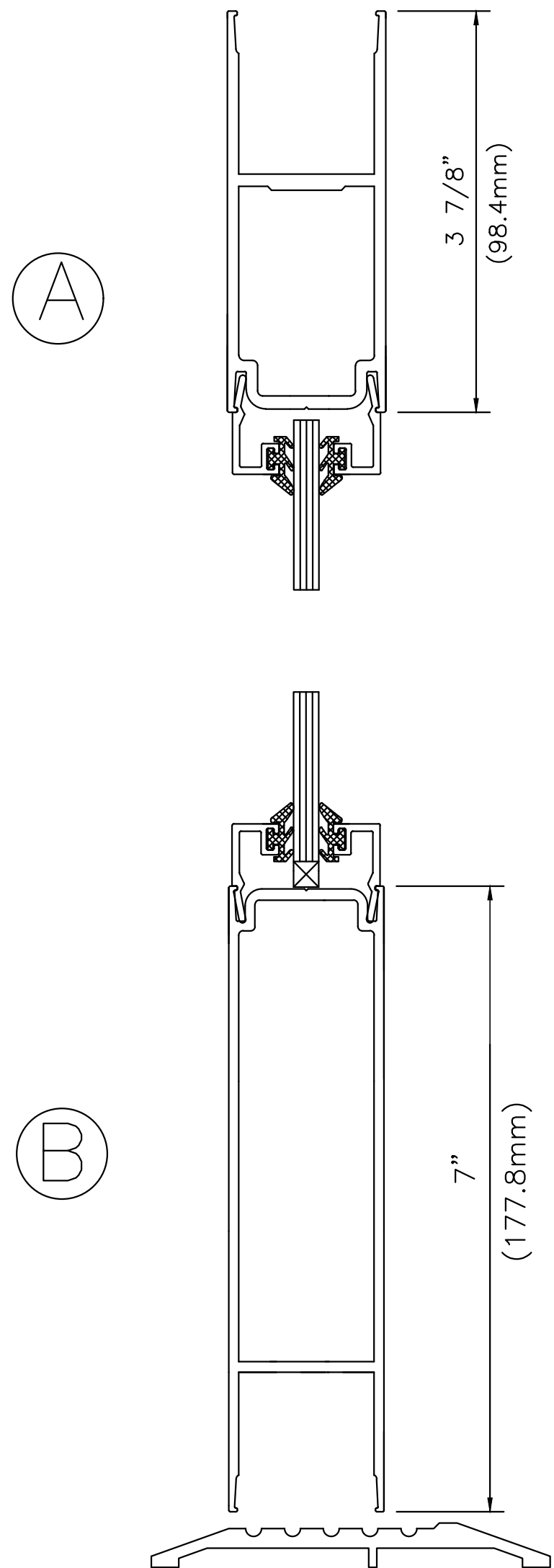
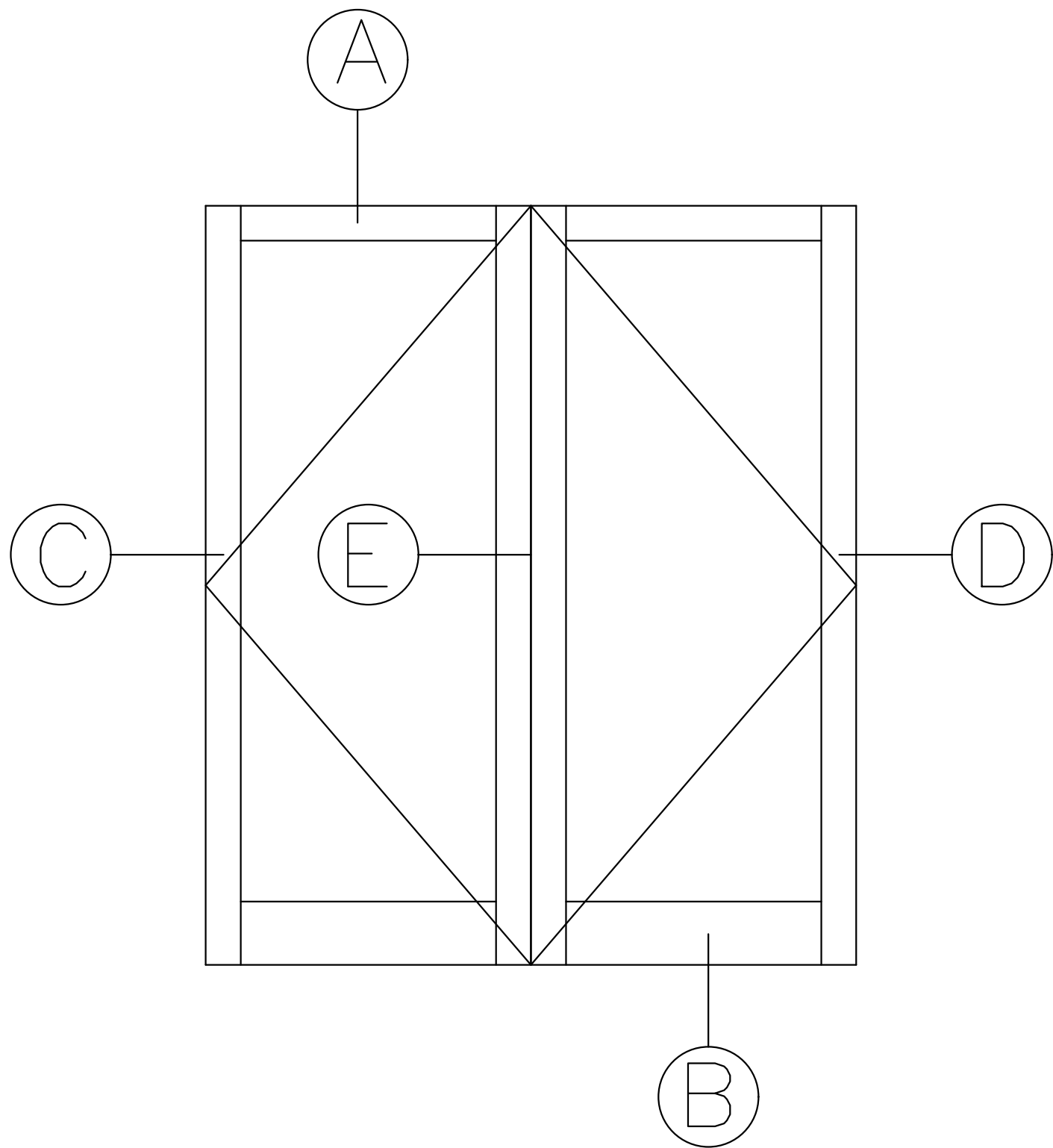
**COMMERCIAL DESIGN
SYSTEMS INC.**

DATE: AUGUST 2014
TEL: (905) 738-0188
FAX: (905) 738-6132
E-MAIL: CDS2009@BELLNET.CA

PAGE:

C2

400 MEDIUM STILE PAIR DOORS



STANDARD PAIR DOORS (6' X 7')
 GLASS SIZE: 2 AT 27 ³/₈" X 71 ¹³/₁₆"

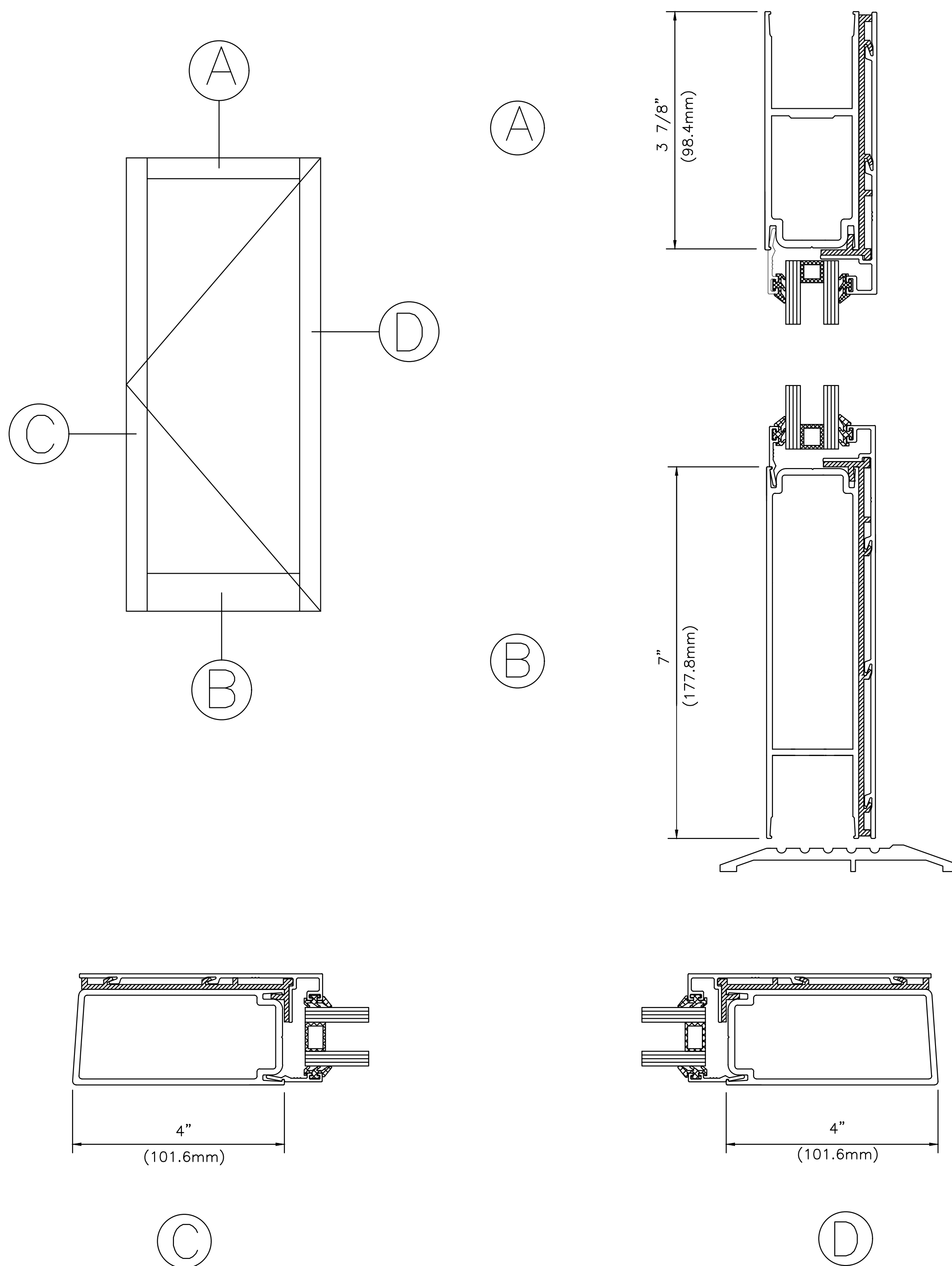


**COMMERCIAL DESIGN
 SYSTEMS INC.**

DATE: AUGUST 2014
 TEL: (905) 738-0188
 FAX: (905) 738-6132
 E-MAIL: CDS2009@BELLNET.CA

PAGE:
 C3

400 SERIES MEDIUM STILE INSULATED DOORS



GLASS SIZE: S/U AT $27 \frac{1}{8}$ " X $71 \frac{5}{8}$ "



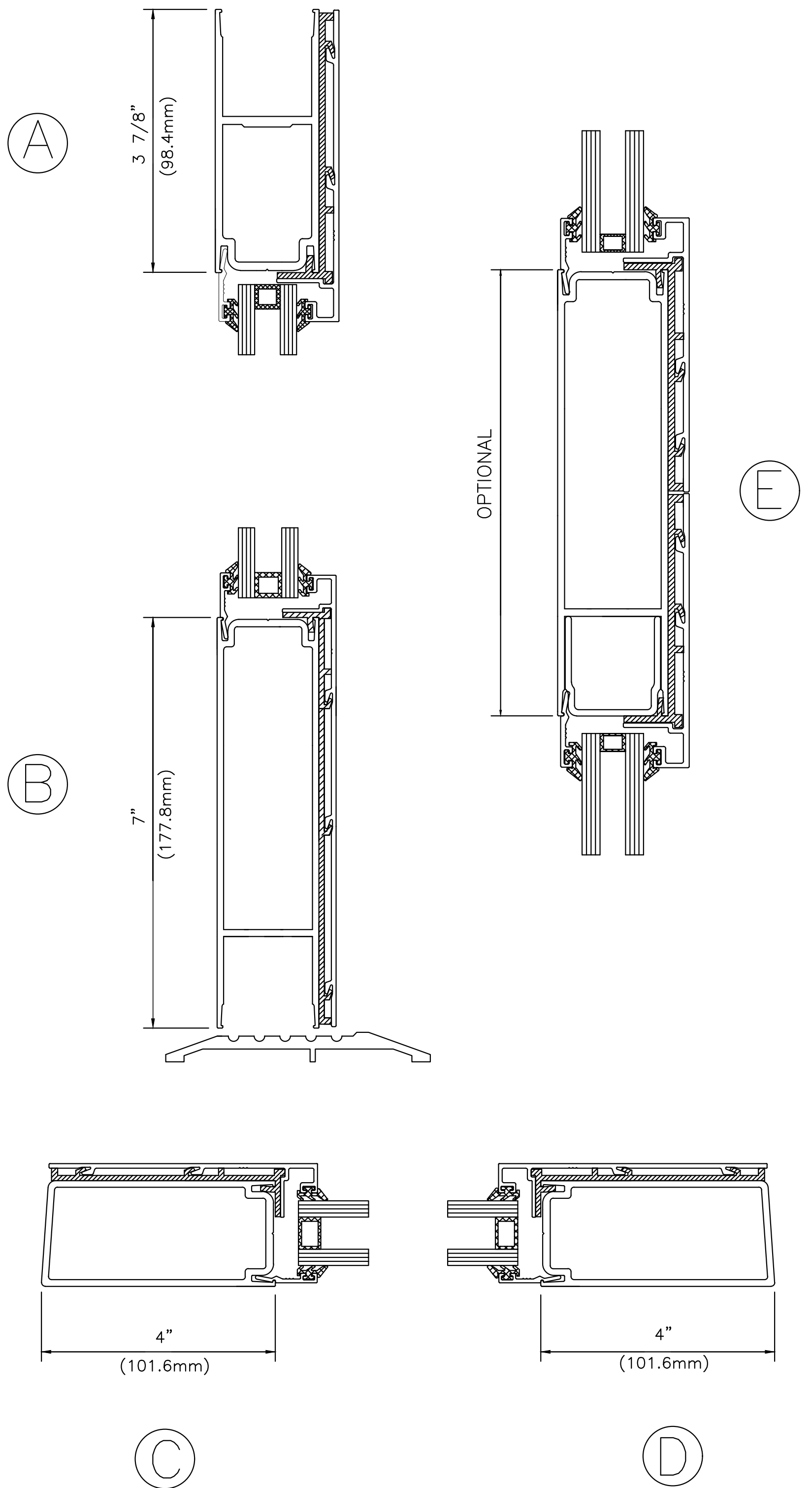
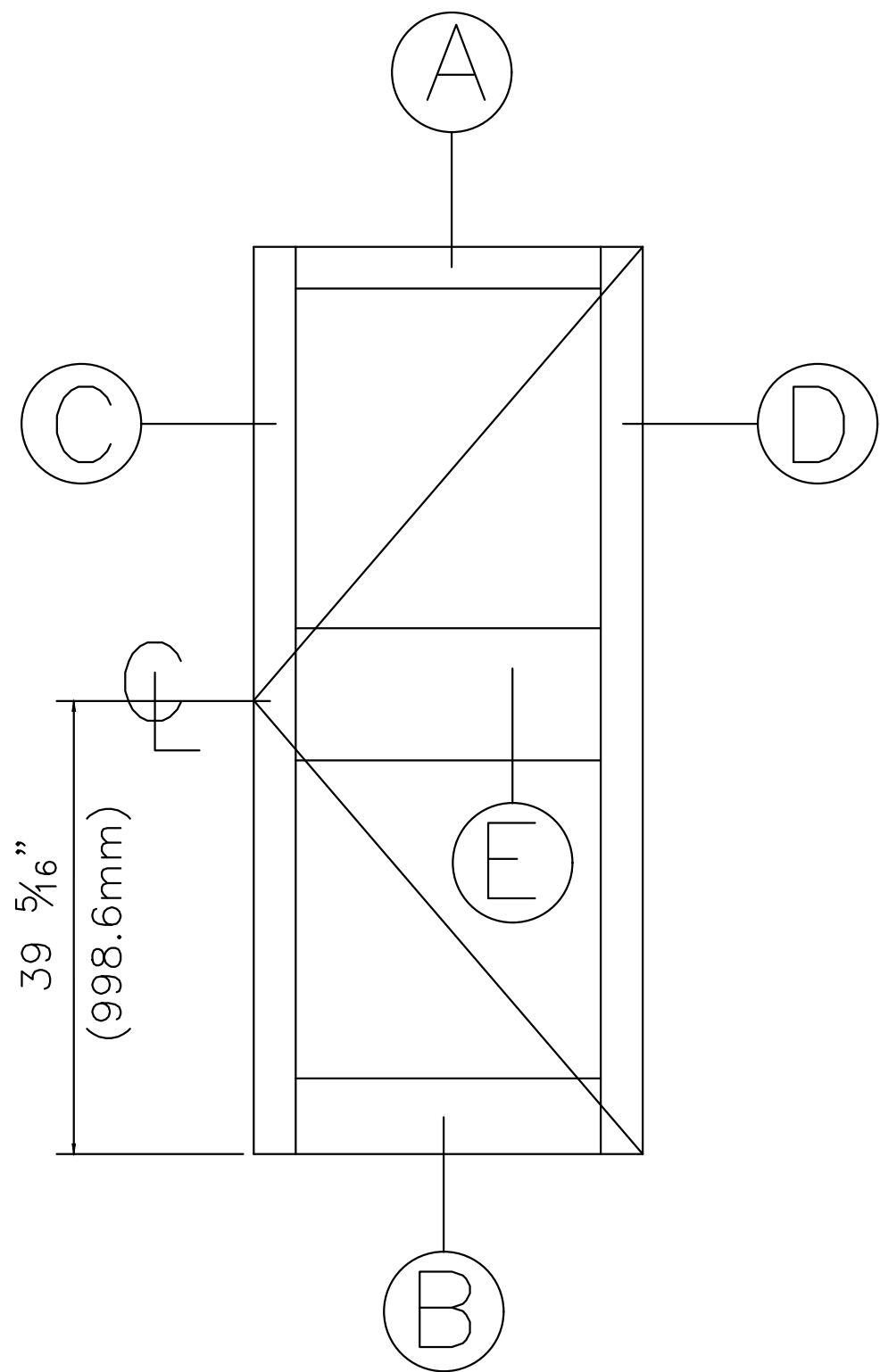
**COMMERCIAL DESIGN
SYSTEMS INC.**

DATE: AUGUST 2014
 TEL: (905) 738-0188
 FAX: (905) 738-6132
 E-MAIL: CDS2009@BELLNET.CA

PAGE:

C4

400 SERIES MEDIUM STILE INSULATED DOORS



GLASS SIZE WITH CENTER RAIL:
WITH STANDARD DOOR SIZE (3' X 7')

2 $\frac{3}{16}$ "	27 $\frac{1}{8}$ " X 30 $\frac{9}{16}$ " (BOTTOM)
	27 $\frac{1}{8}$ " X 38 $\frac{1}{4}$ " (TOP)
3 $\frac{7}{8}$ "	27 $\frac{1}{8}$ " X 29 $\frac{11}{16}$ " (BOTTOM)
	27 $\frac{1}{8}$ " X 37 $\frac{3}{8}$ " (TOP)
5 $\frac{3}{8}$ "	27 $\frac{1}{8}$ " X 28 $\frac{15}{16}$ " (BOTTOM)
	27 $\frac{1}{8}$ " X 36 $\frac{5}{8}$ " (TOP)
7"	27 $\frac{1}{8}$ " X 28 $\frac{1}{8}$ " (BOTTOM)
	27 $\frac{1}{8}$ " X 35 $\frac{13}{16}$ " (TOP)
8"	27 $\frac{1}{8}$ " X 27 $\frac{5}{8}$ " (BOTTOM)
	27 $\frac{1}{8}$ " X 35 $\frac{5}{16}$ " (TOP)
10"	27 $\frac{1}{8}$ " X 26 $\frac{5}{8}$ " (BOTTOM)
	27 $\frac{1}{8}$ " X 34 $\frac{5}{16}$ " (TOP)



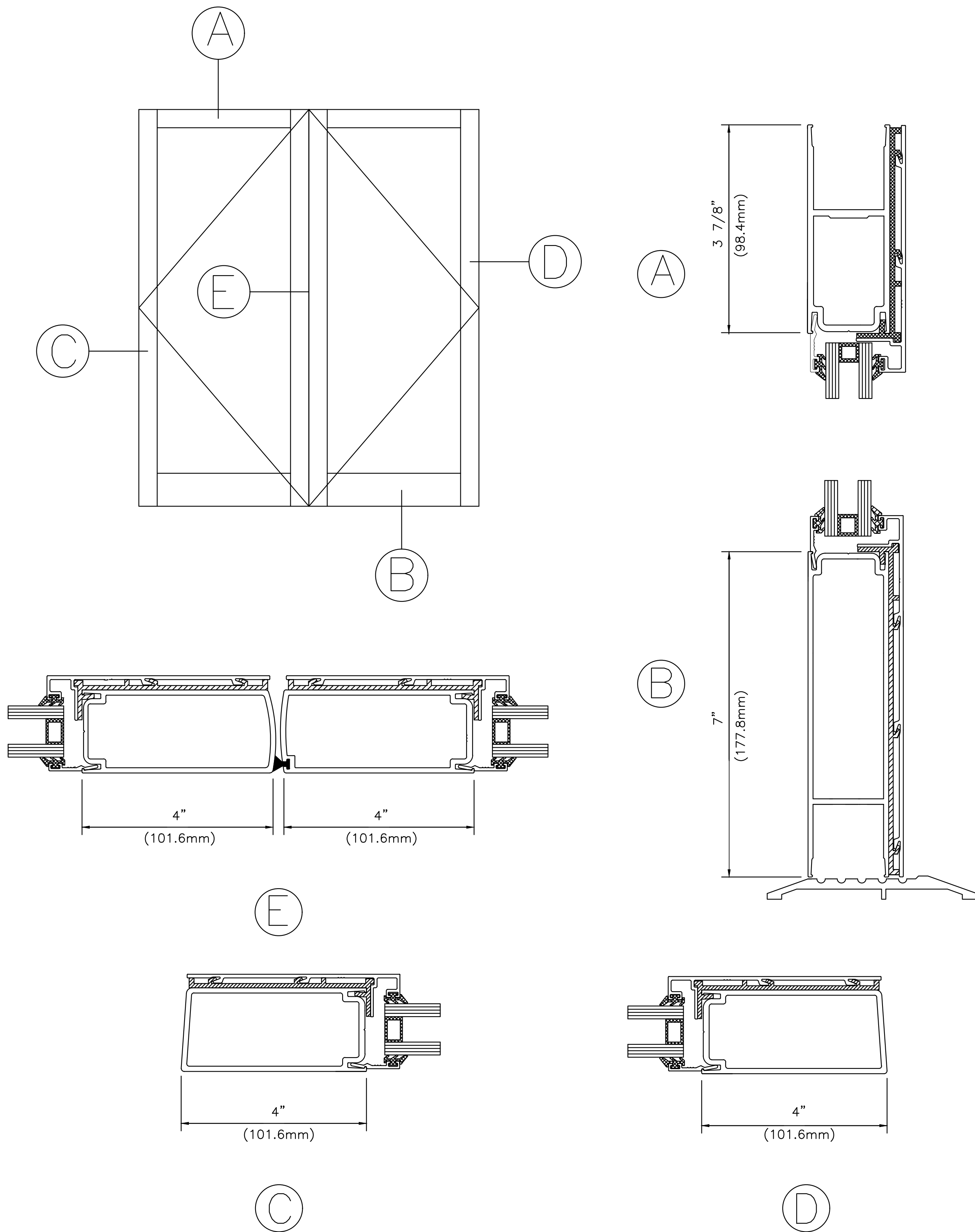
**COMMERCIAL DESIGN
SYSTEMS INC.**

DATE: AUGUST 2014
TEL: (905) 738-0188
FAX: (905) 738-6132
E-MAIL: CDS2009@BELLNET.CA

PAGE:

C5

400 SERIES MEDIUM STILE INSULATED DOORS



GLASS SIZE: S/U AT $27\frac{1}{8}$ " X $71\frac{5}{8}$ "



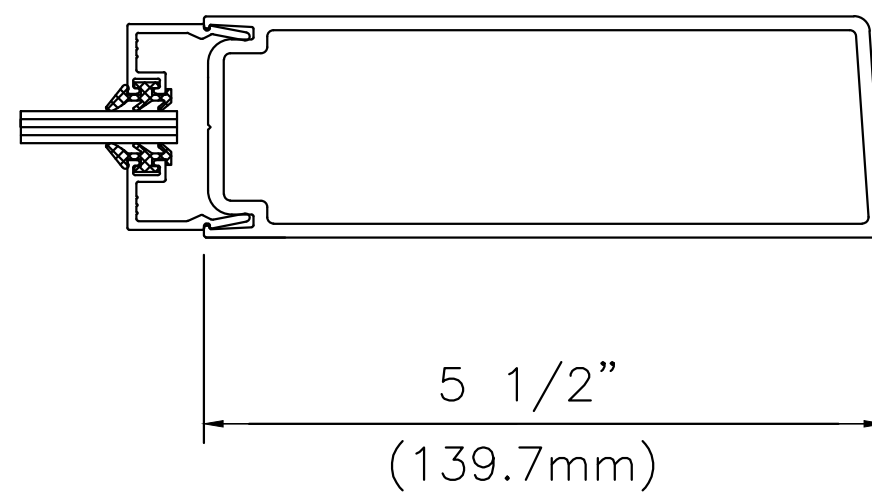
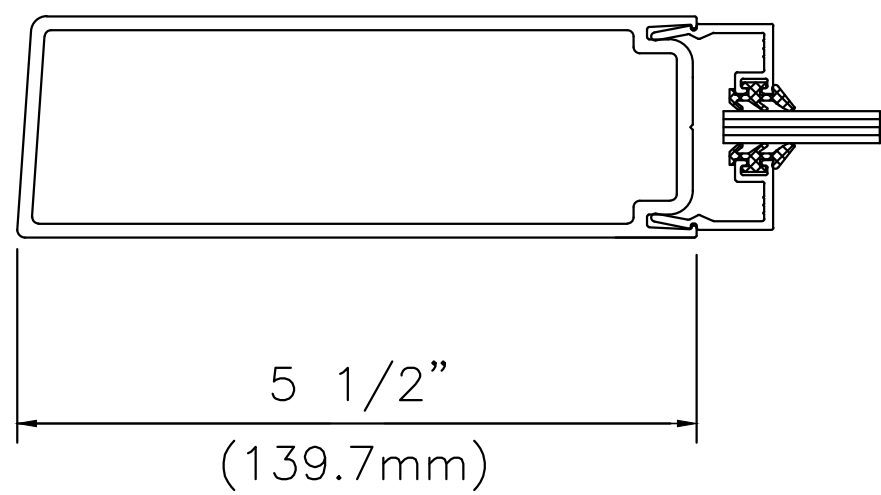
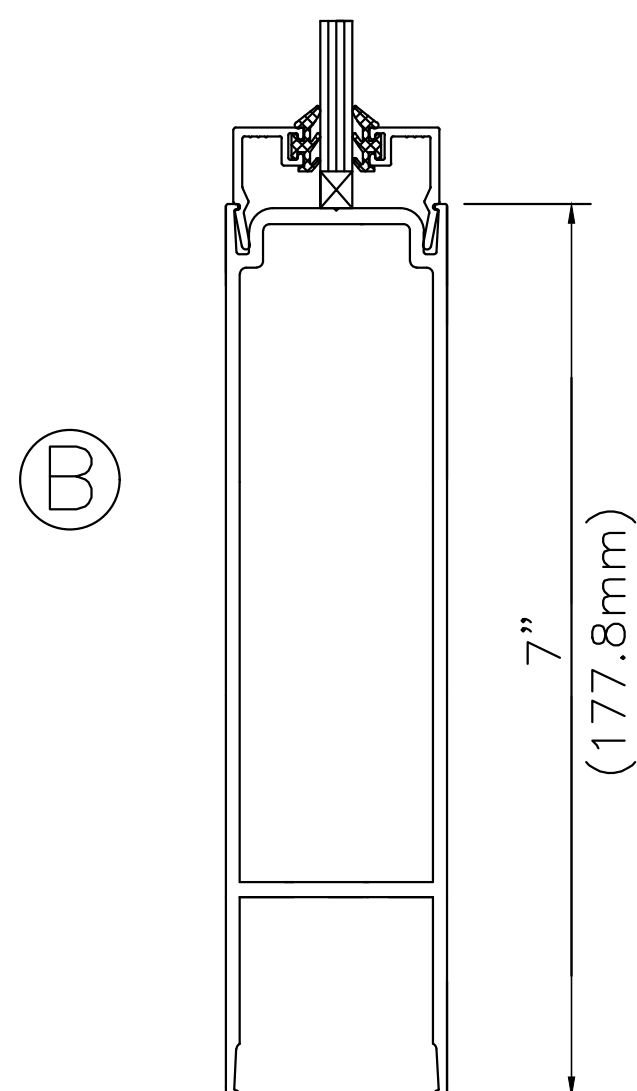
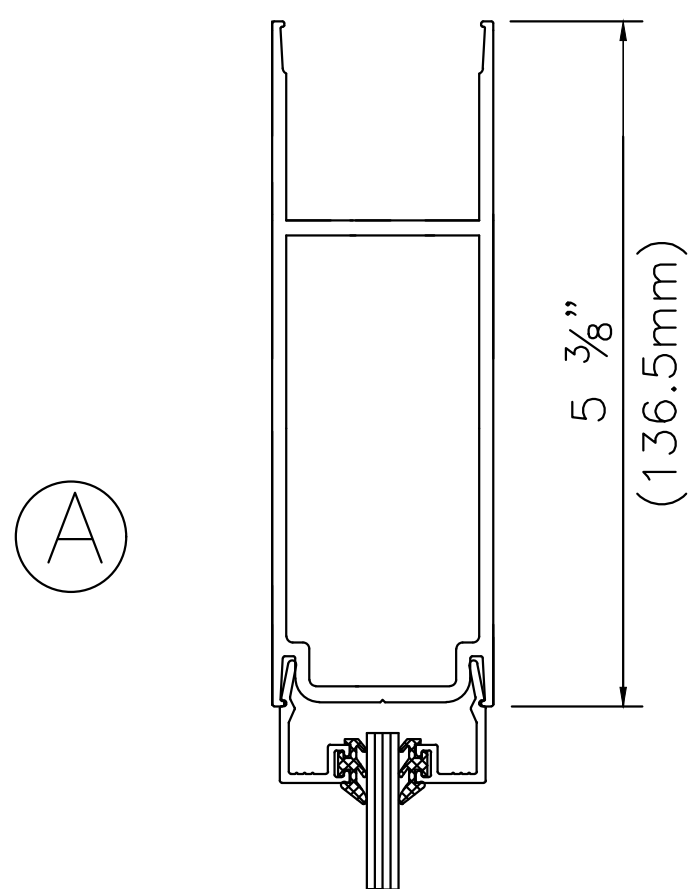
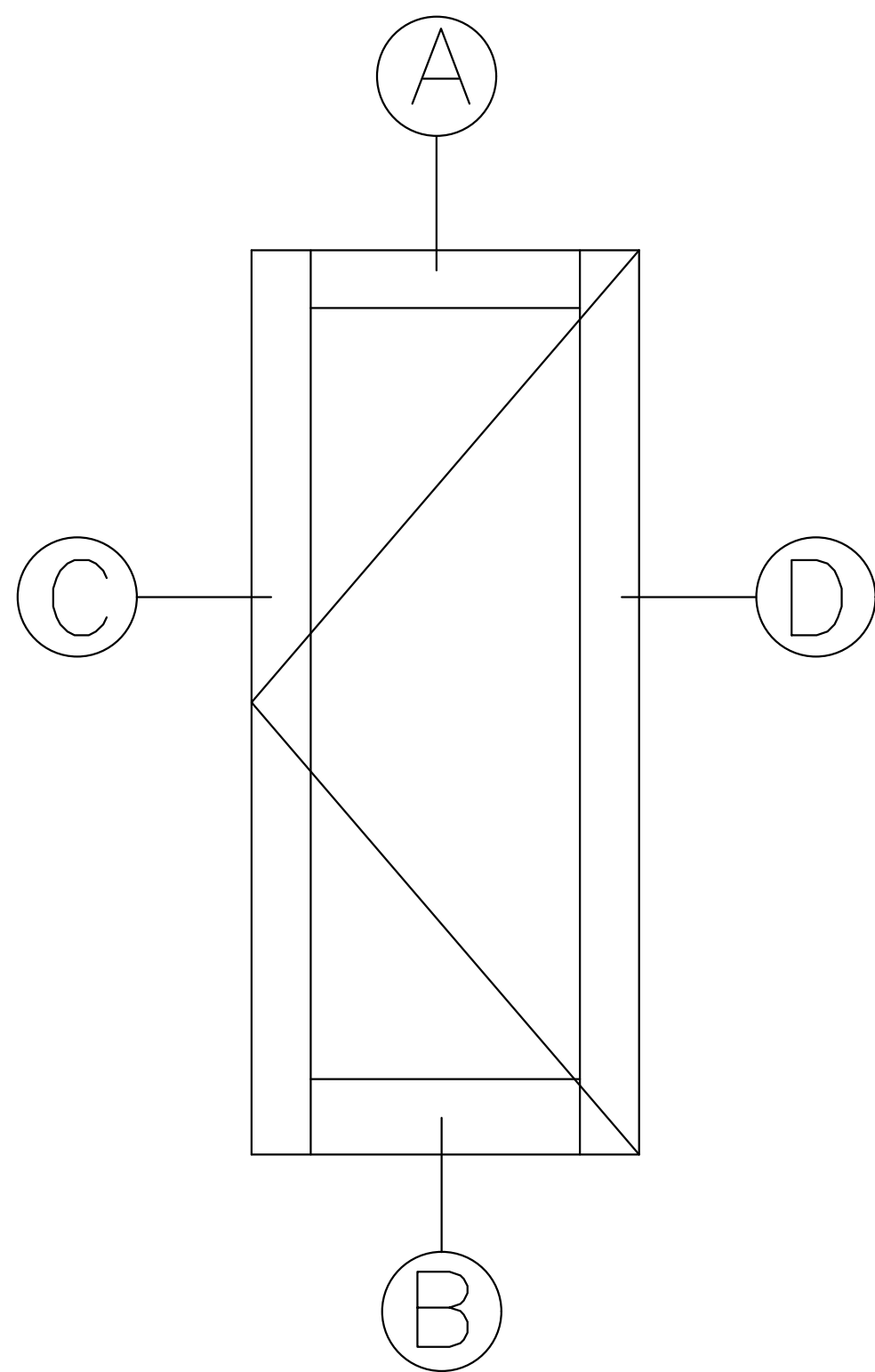
**COMMERCIAL DESIGN
SYSTEMS INC.**

DATE: AUGUST 2014
 TEL: (905) 738-0188
 FAX: (905) 738-6132
 E-MAIL: CDS2009@BELLNET.CA

PAGE:

C6

550 SERIES WIDE STILE DOORS



(C)

(D)

GLASS SIZE: $24 \frac{3}{8}$ " X $70 \frac{5}{16}$ "



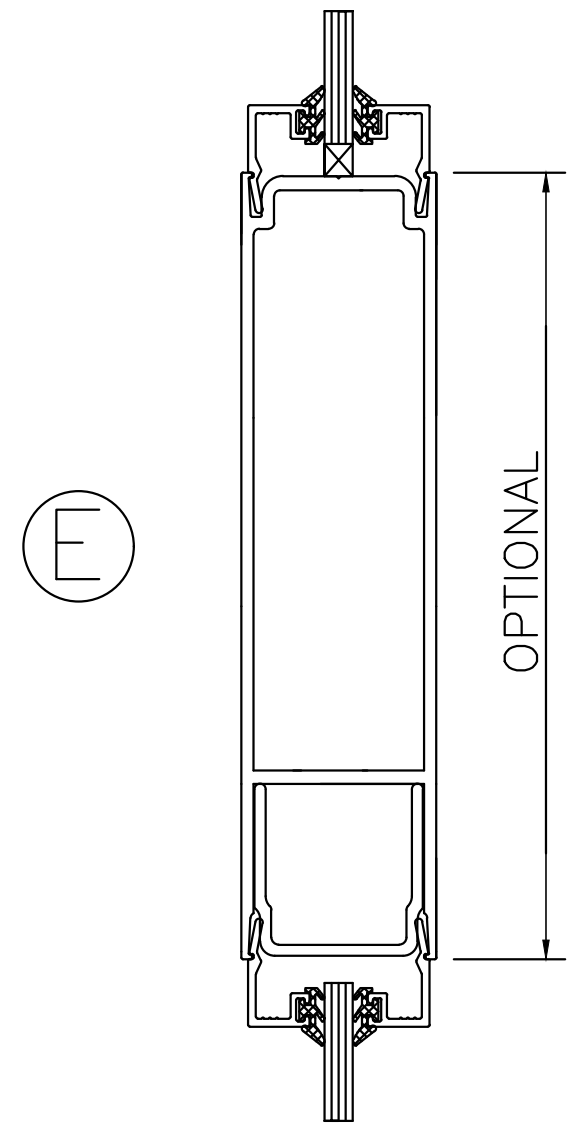
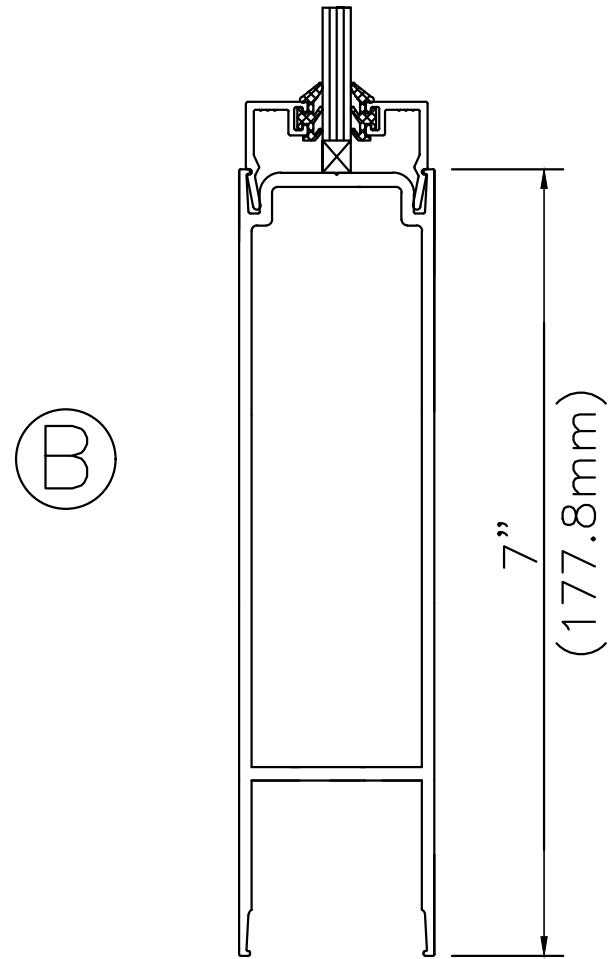
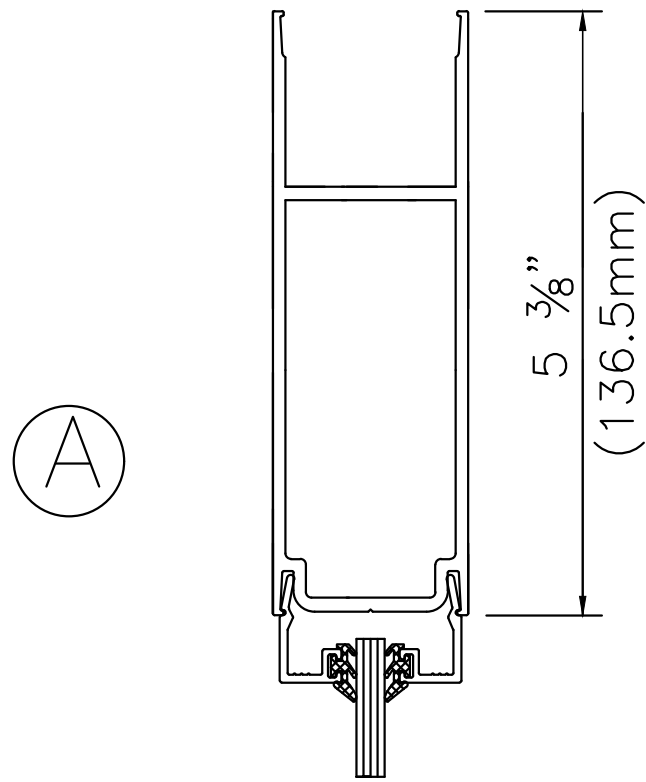
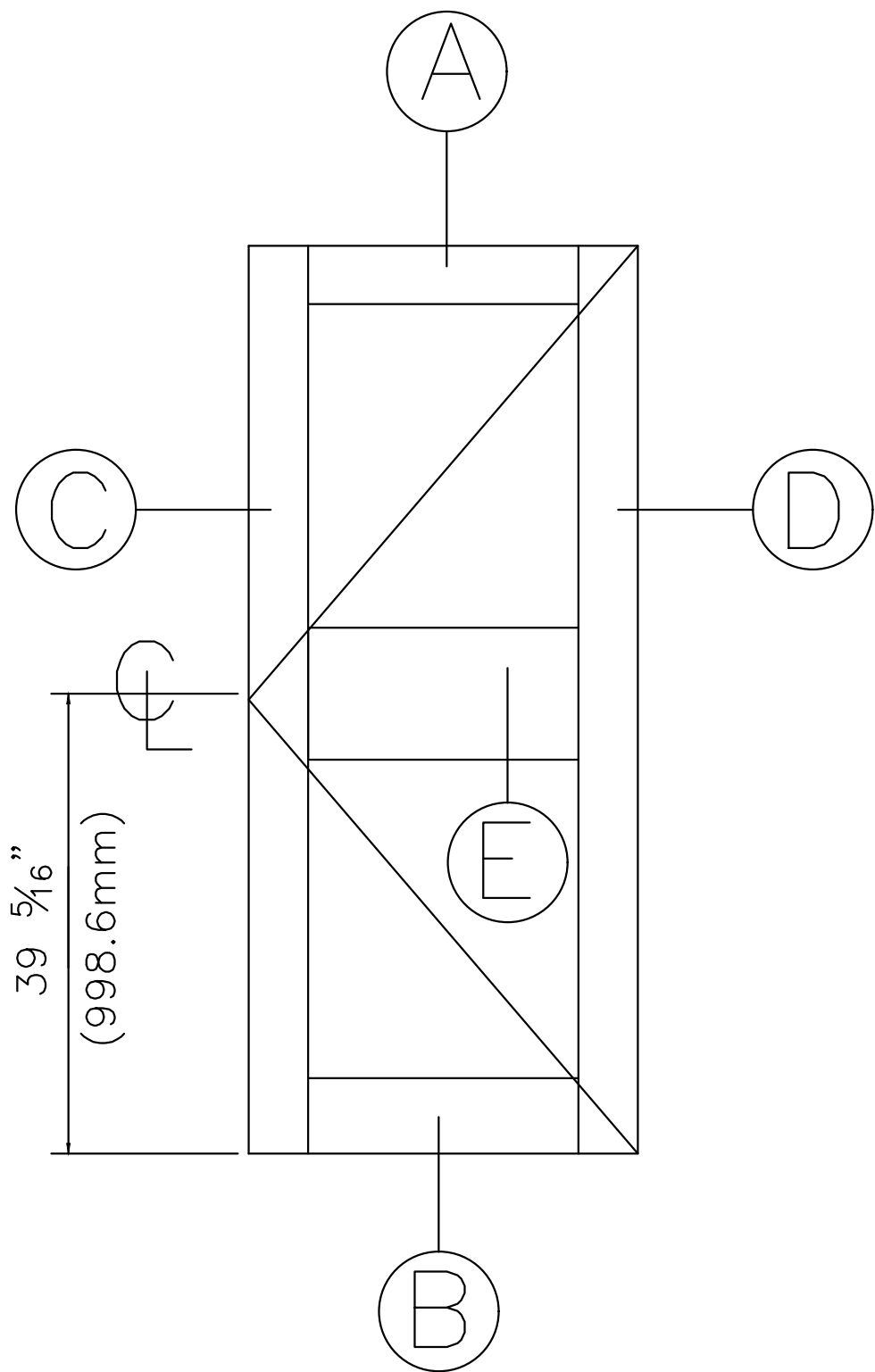
**COMMERCIAL DESIGN
SYSTEMS INC.**

DATE: AUGUST 2014
 TEL: (905) 738-0188
 FAX: (905) 738-6132
 E-MAIL: CDS2009@BELLNET.CA

PAGE:

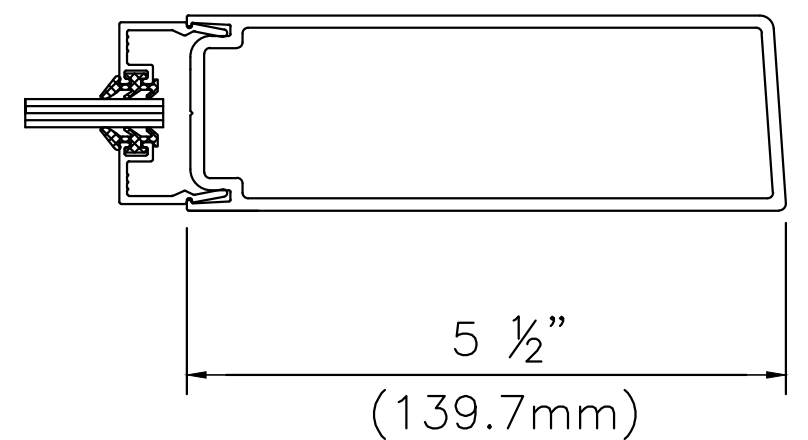
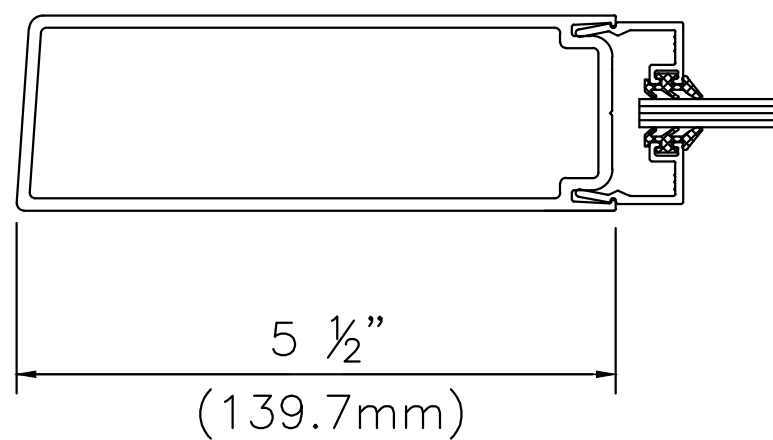
D1

550 SERIES WIDE STILE DOORS



GLASS SIZE WITH CENTER RAIL:
WITH STANDARD DOOR SIZE (3' X 7')

2 $\frac{3}{16}$ "	24 $\frac{3}{8}$ " X 30 $\frac{3}{4}$ " (BOTTOM)
	24 $\frac{3}{8}$ " X 36 $\frac{15}{16}$ " (TOP)
3 $\frac{7}{8}$ "	24 $\frac{3}{8}$ " X 29 $\frac{7}{8}$ " (BOTTOM)
	24 $\frac{3}{8}$ " X 36 $\frac{1}{16}$ " (TOP)
5 $\frac{3}{8}$ "	24 $\frac{3}{8}$ " X 29 $\frac{1}{8}$ " (BOTTOM)
	24 $\frac{3}{8}$ " X 35 $\frac{5}{16}$ " (TOP)
7"	24 $\frac{3}{8}$ " X 28 $\frac{5}{16}$ " (BOTTOM)
	24 $\frac{3}{8}$ " X 34 $\frac{1}{2}$ " (TOP)
8"	24 $\frac{3}{8}$ " X 27 $\frac{13}{16}$ " (BOTTOM)
	24 $\frac{3}{8}$ " X 34" (TOP)
10"	24 $\frac{3}{8}$ " X 26 $\frac{13}{16}$ " (BOTTOM)
	24 $\frac{3}{8}$ " X 33" (TOP)



(C)

(D)



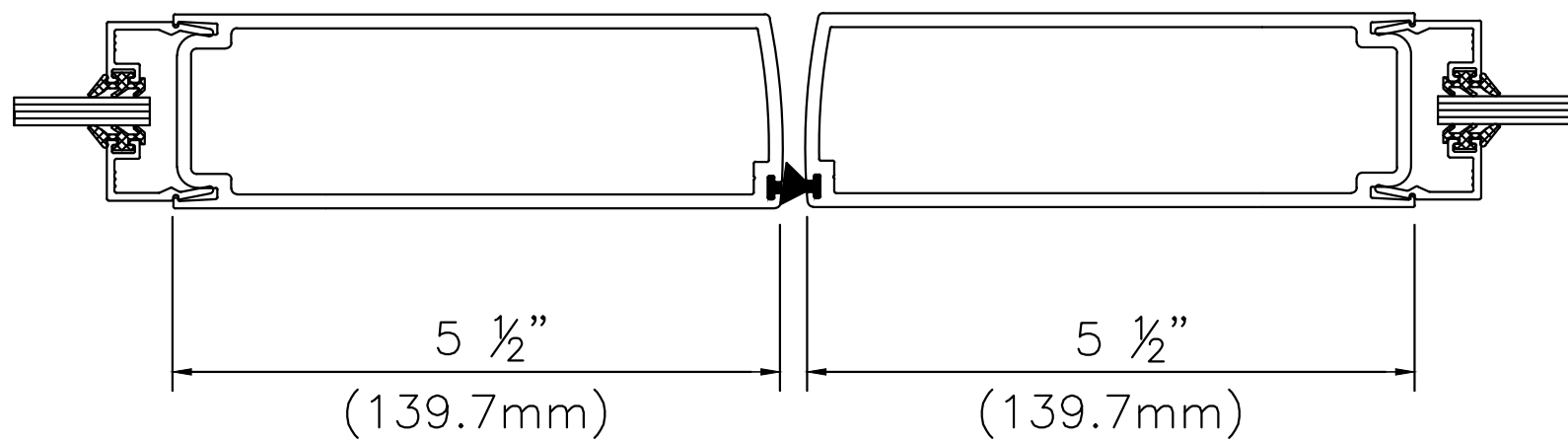
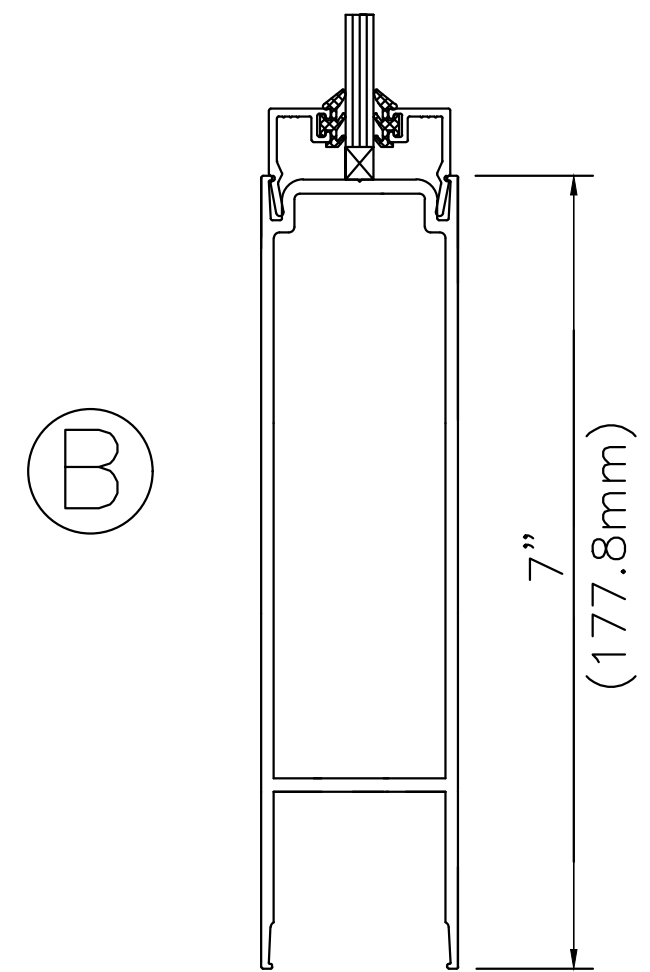
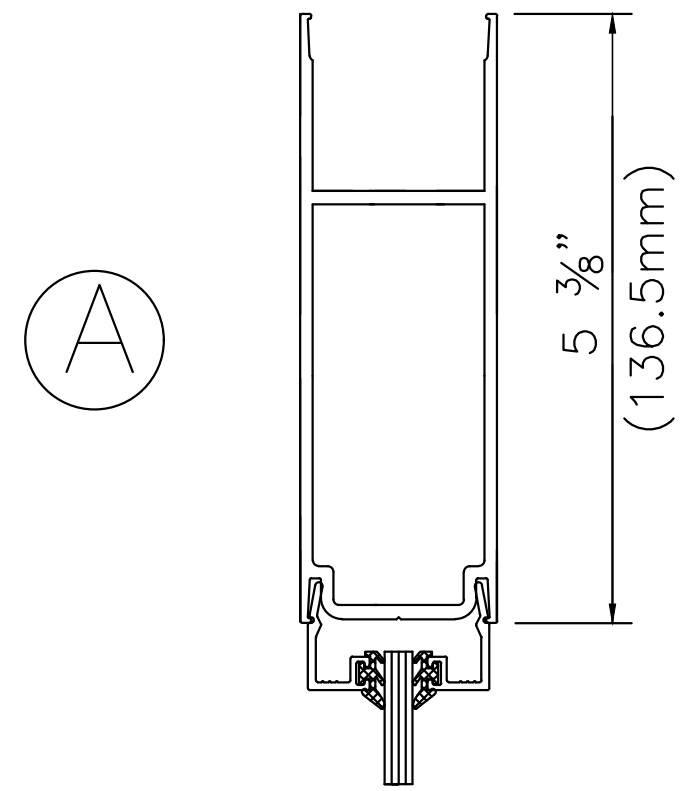
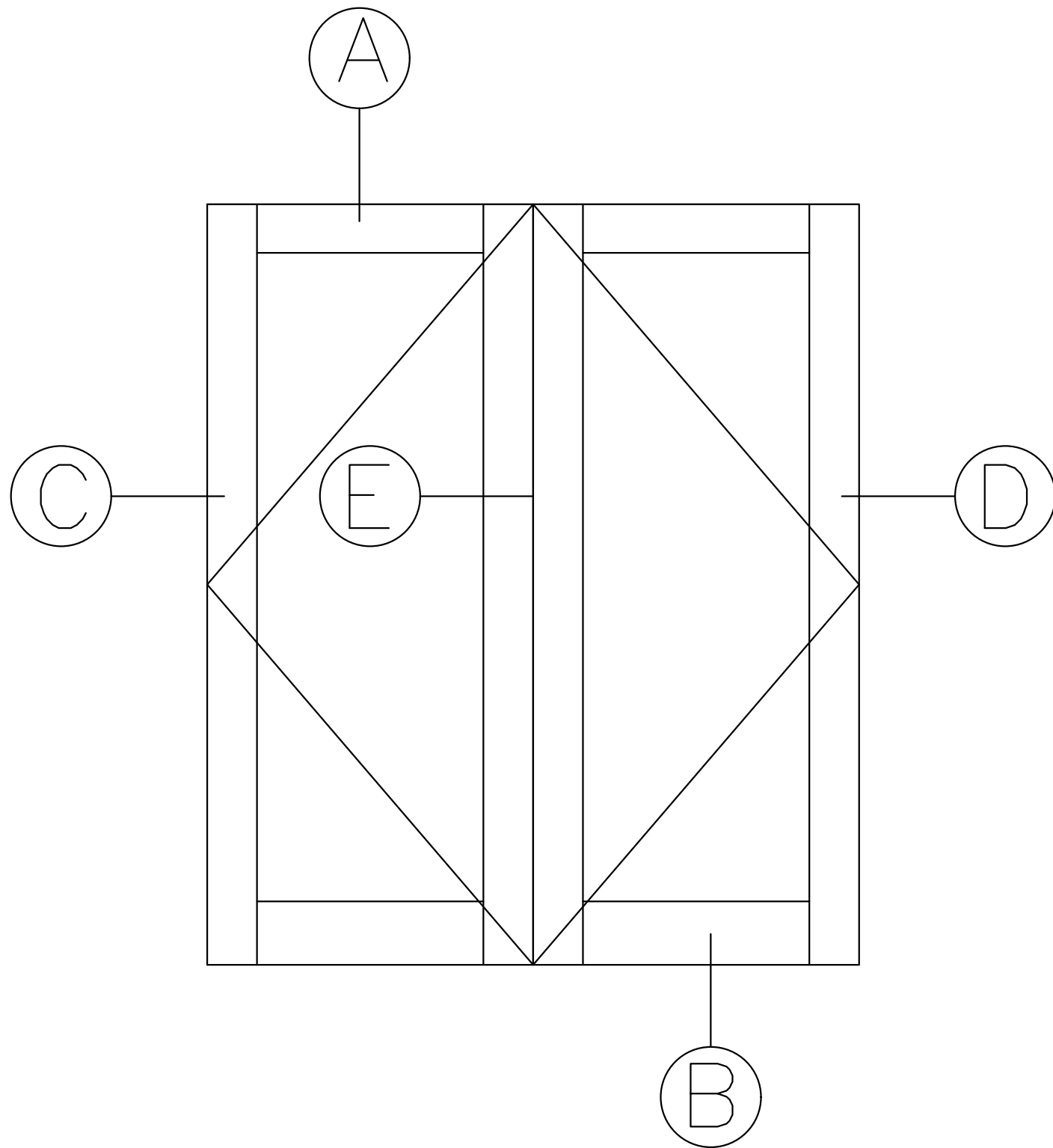
**COMMERCIAL DESIGN
SYSTEMS INC.**

DATE: AUGUST 2014
 TEL: (905) 738-0188
 FAX: (905) 738-6132
 E-MAIL: CDS2009@BELLNET.CA

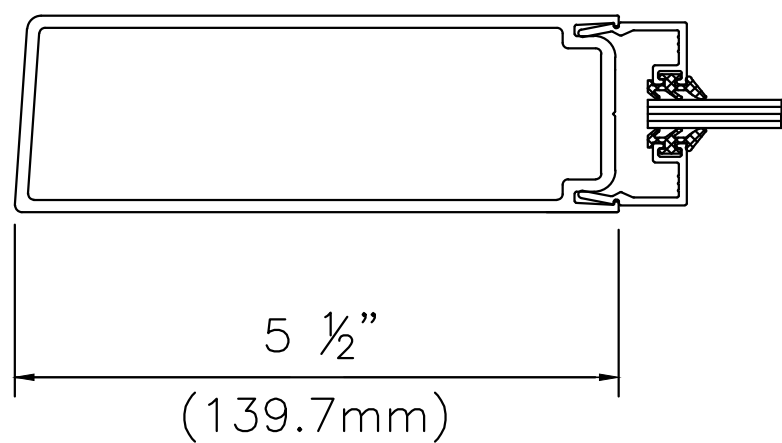
PAGE:

D2

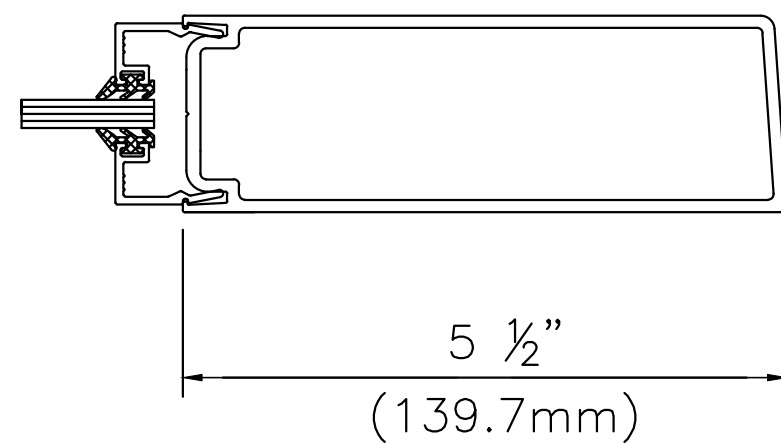
550 SERIES WIDE STILE DOORS



(E)



(C)



(D)

GLASS SIZE: 24 $\frac{3}{8}$ " X 70 $\frac{5}{16}$ "



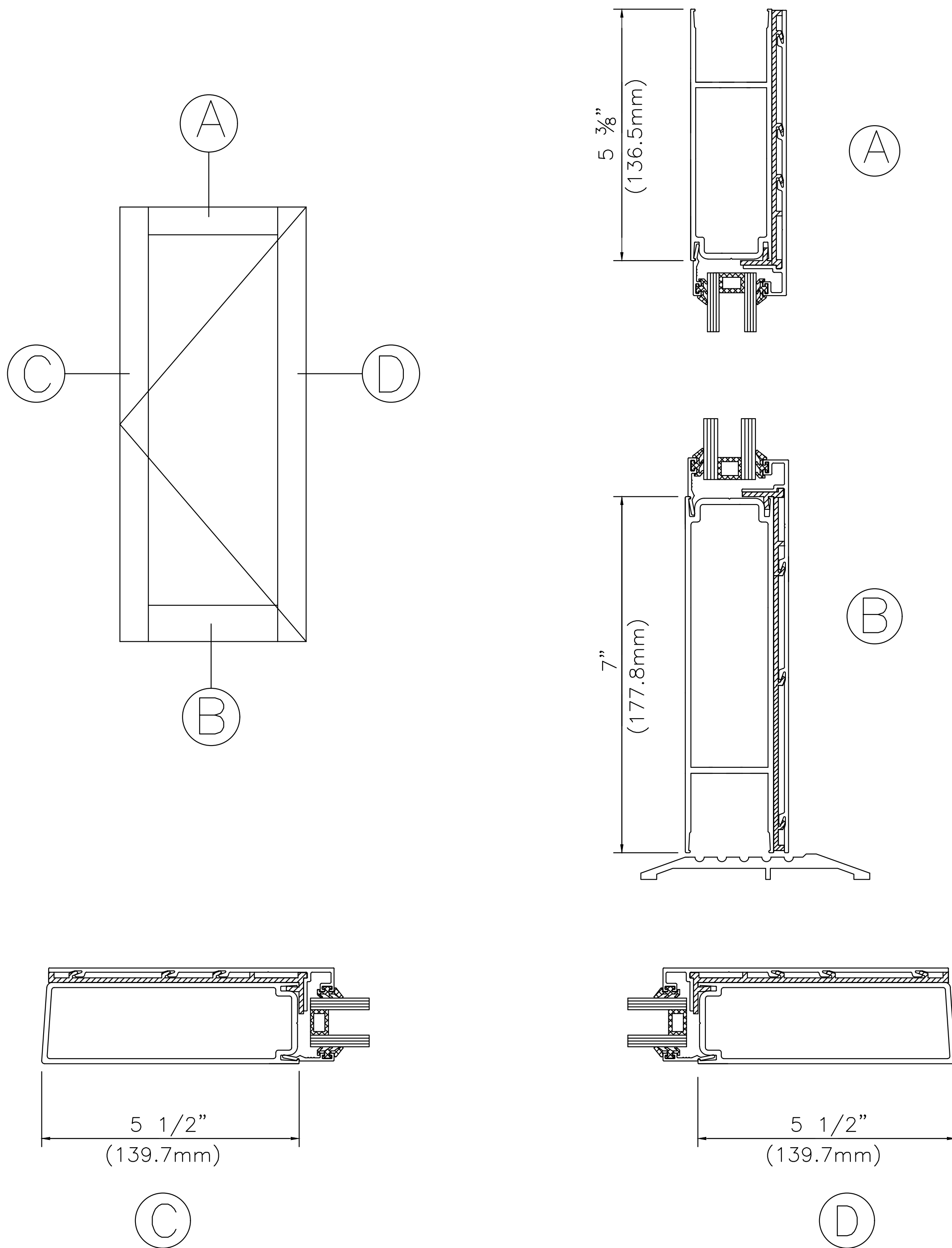
**COMMERCIAL DESIGN
SYSTEMS INC.**

DATE: AUGUST 2014
 TEL: (905) 738-0188
 FAX: (905) 738-6132
 E-MAIL: CDS2009@BELLNET.CA

PAGE:

D3

550 SERIES WIDE STILE INSULATED DOORS



GLASS SIZE: S/U AT 24 $\frac{1}{8}$ " X 70 $\frac{1}{8}$ "



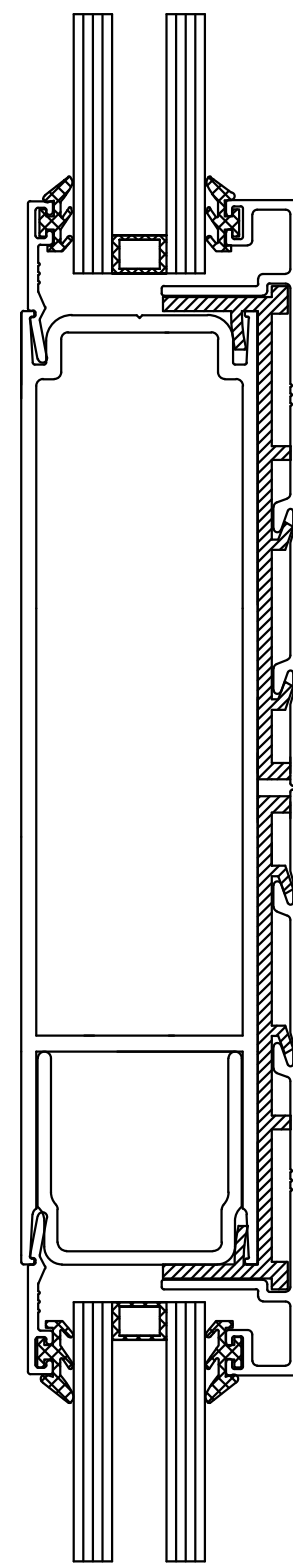
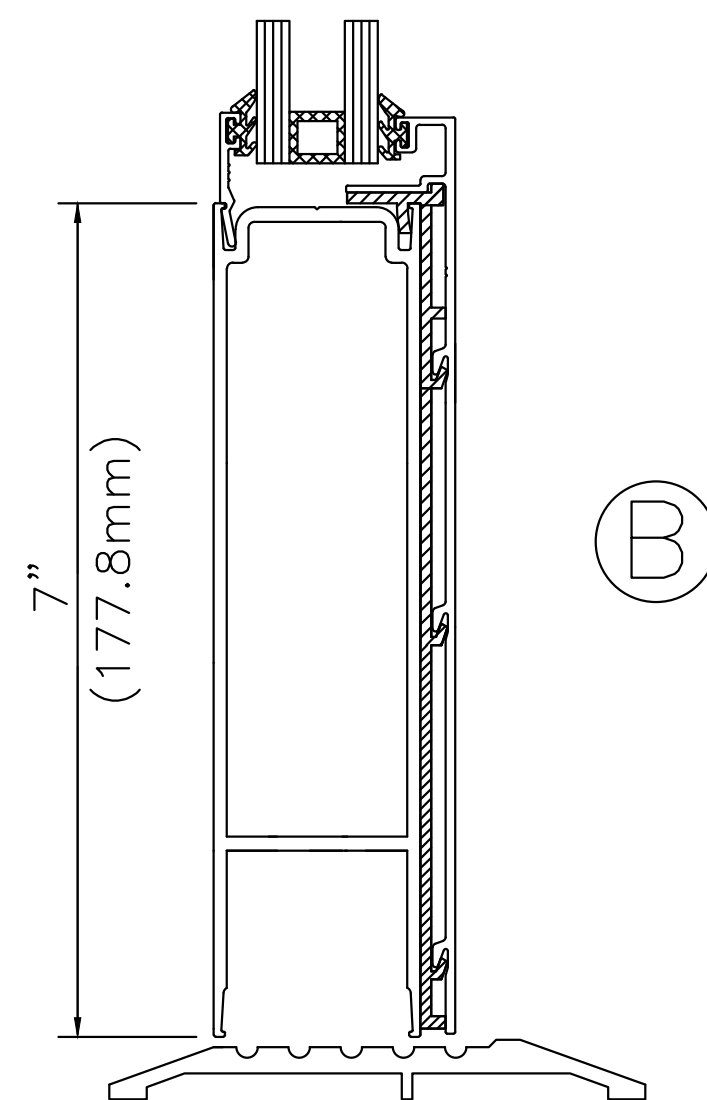
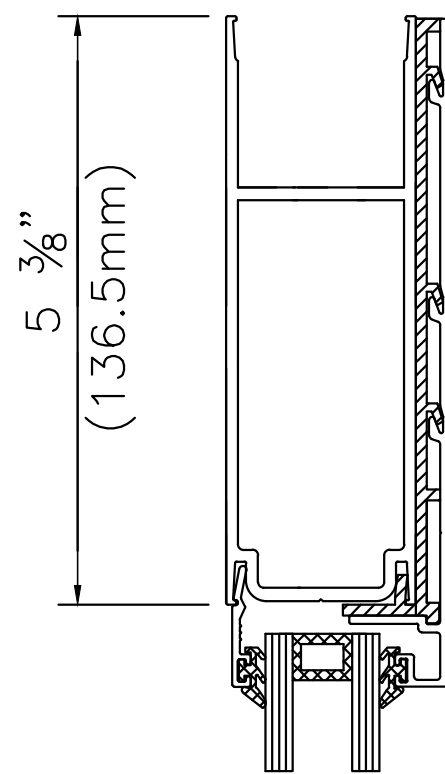
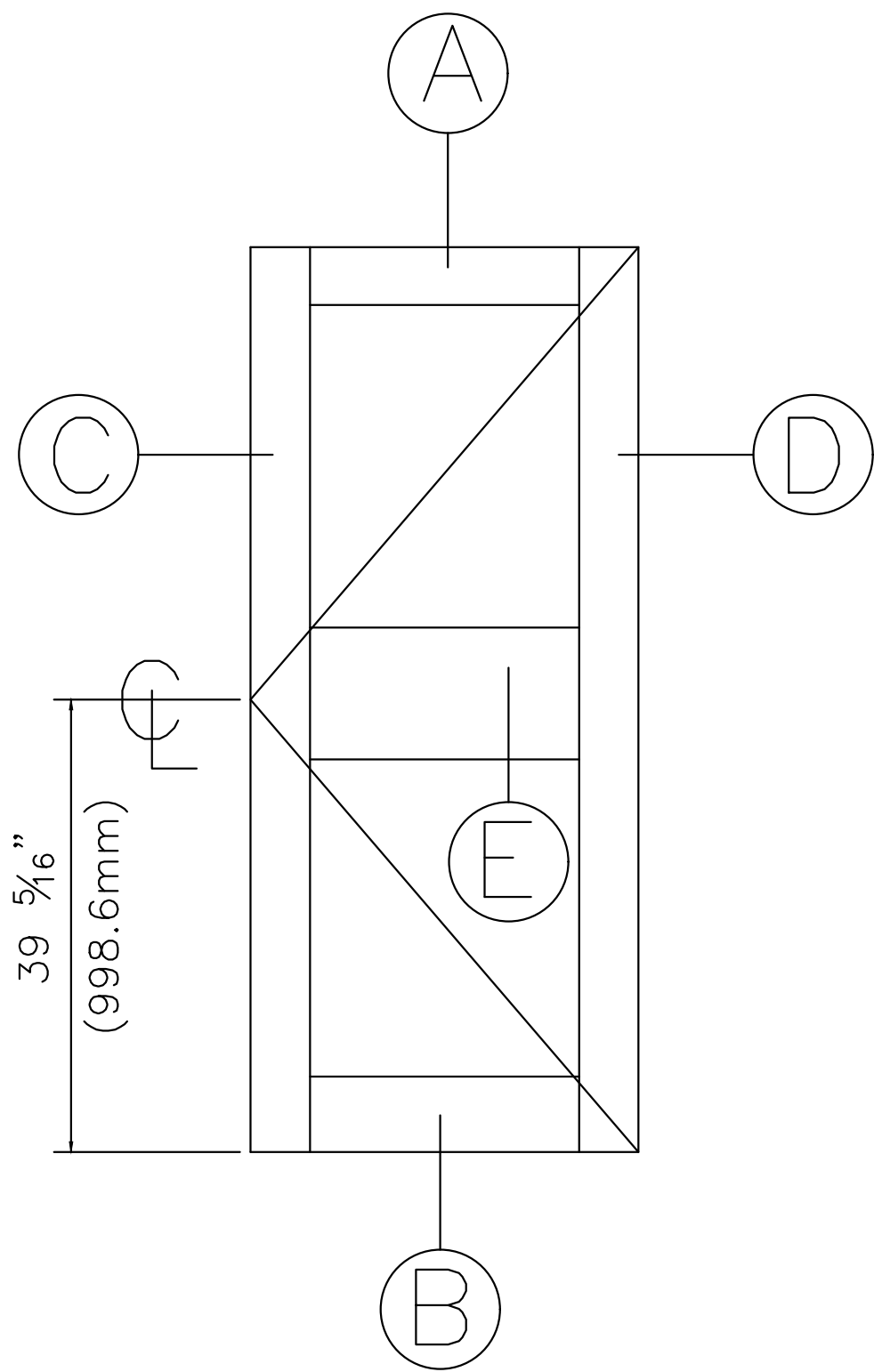
**COMMERCIAL DESIGN
SYSTEMS INC.**

DATE: AUGUST 2014
 TEL: (905) 738-0188
 FAX: (905) 738-6132
 E-MAIL: CDS2009@BELLNET.CA

PAGE:

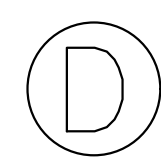
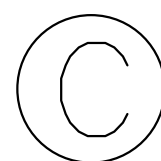
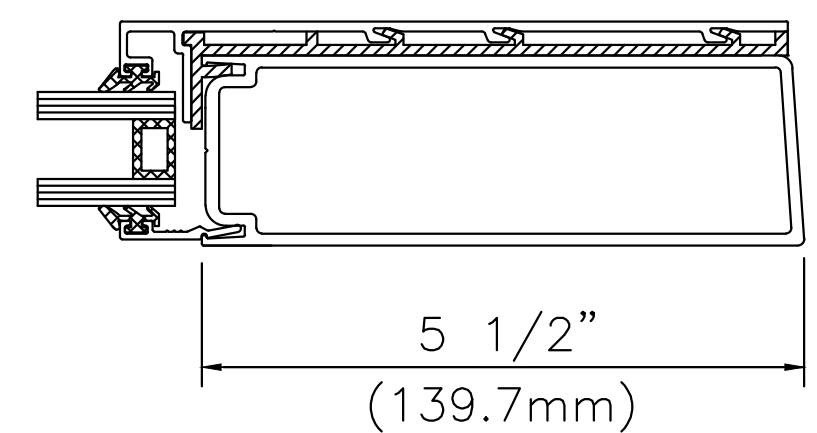
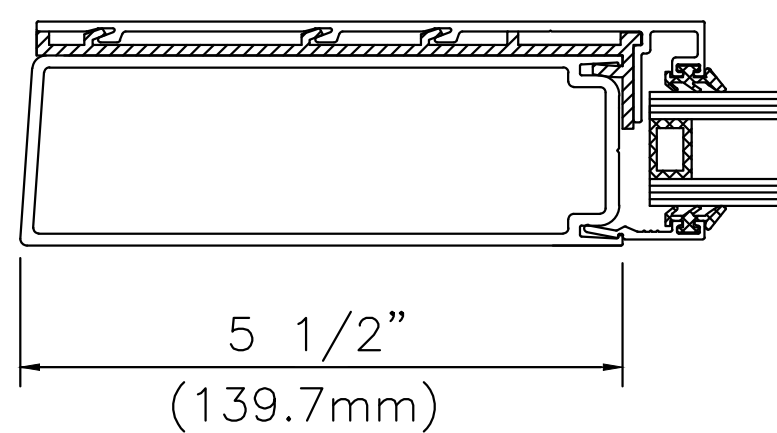
D4

550 SERIES WIDE STILE INSULATED DOORS



GLASS SIZE WITH CENTER RAIL:
WITH STANDARD DOOR SIZE (3' X 7')

2 $\frac{3}{16}$ "	24 $\frac{1}{8}$ " X 30 $\frac{9}{16}$ " (BOTTOM)
	24 $\frac{1}{8}$ " X 36 $\frac{3}{4}$ " (TOP)
3 $\frac{7}{8}$ "	24 $\frac{1}{8}$ " X 29 $\frac{11}{16}$ " (BOTTOM)
	24 $\frac{1}{8}$ " X 35 $\frac{7}{8}$ " (TOP)
5 $\frac{3}{8}$ "	24 $\frac{1}{8}$ " X 28 $\frac{15}{16}$ " (BOTTOM)
	24 $\frac{1}{8}$ " X 35 $\frac{1}{8}$ " (TOP)
7"	24 $\frac{1}{8}$ " X 28 $\frac{1}{8}$ " (BOTTOM)
	24 $\frac{1}{8}$ " X 34 $\frac{5}{16}$ " (TOP)
8"	24 $\frac{1}{8}$ " X 27 $\frac{5}{8}$ " (BOTTOM)
	24 $\frac{1}{8}$ " X 34 $\frac{13}{16}$ " (TOP)
10"	24 $\frac{1}{8}$ " X 26 $\frac{5}{8}$ " (BOTTOM)
	24 $\frac{1}{8}$ " X 33 $\frac{13}{16}$ " (TOP)



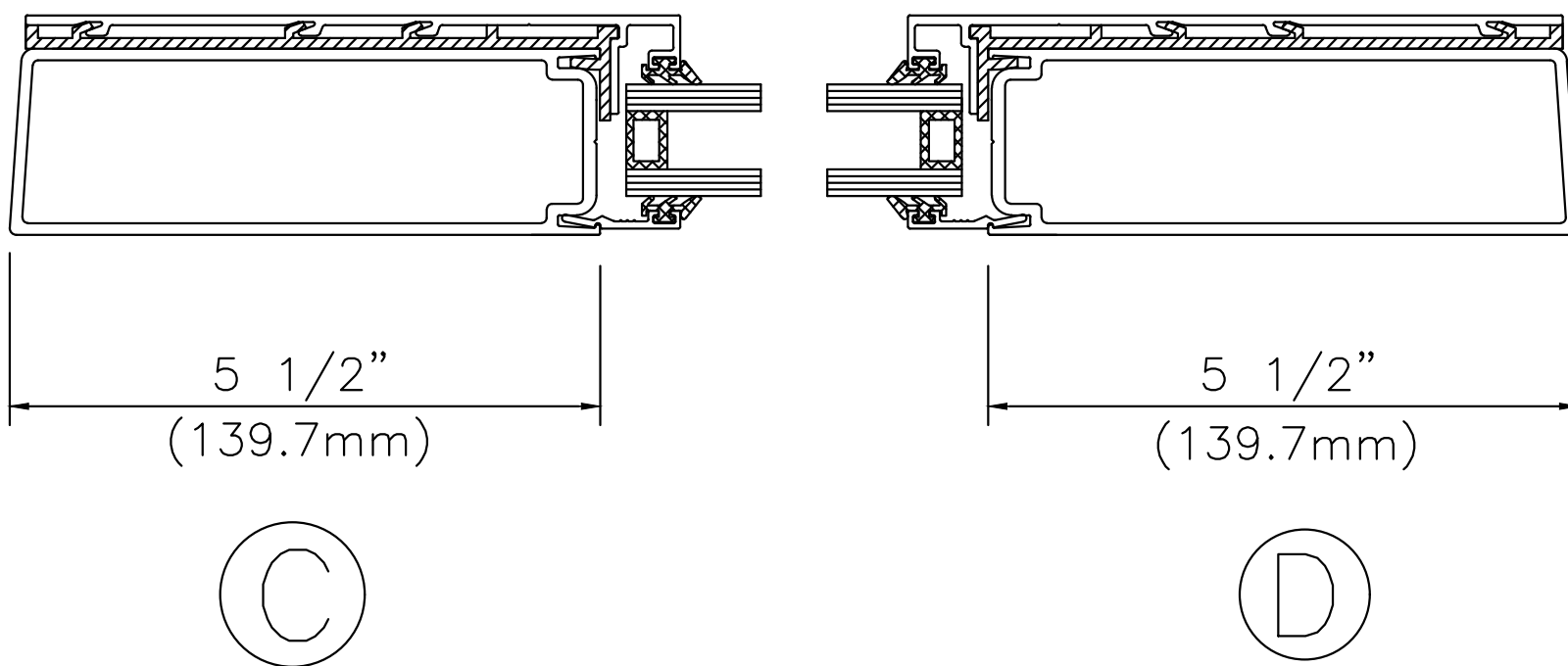
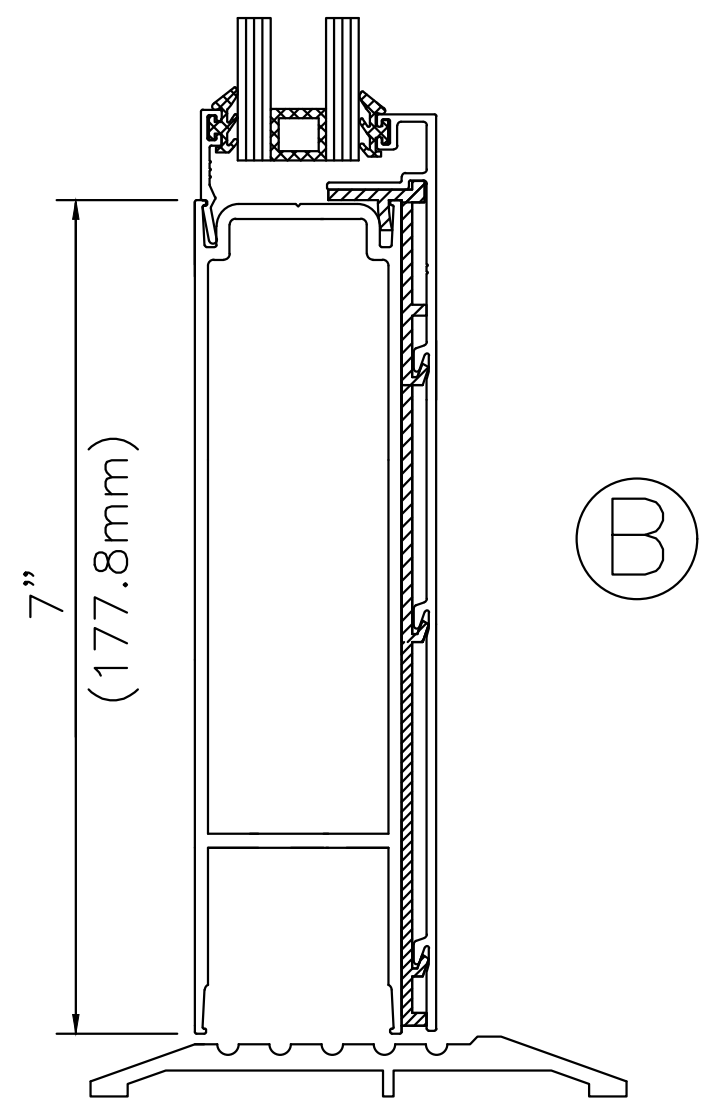
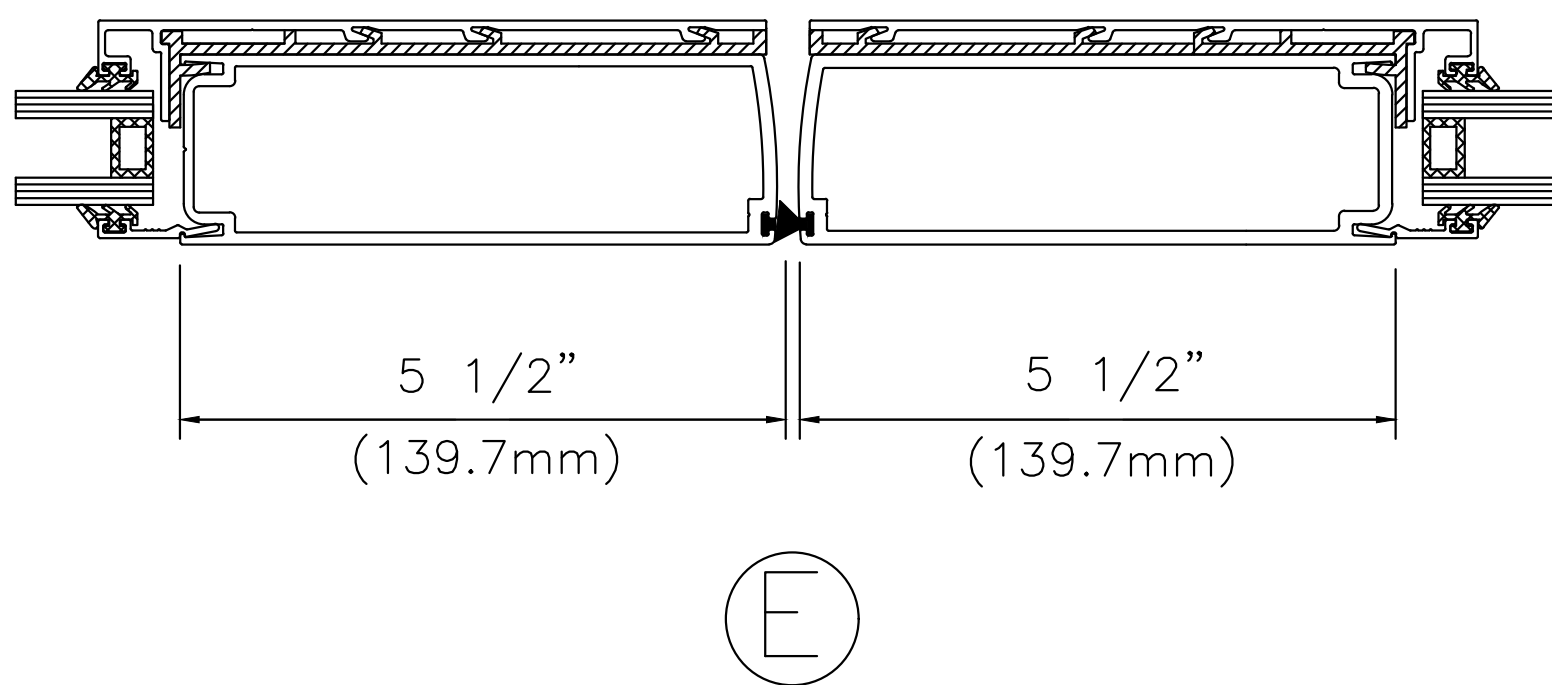
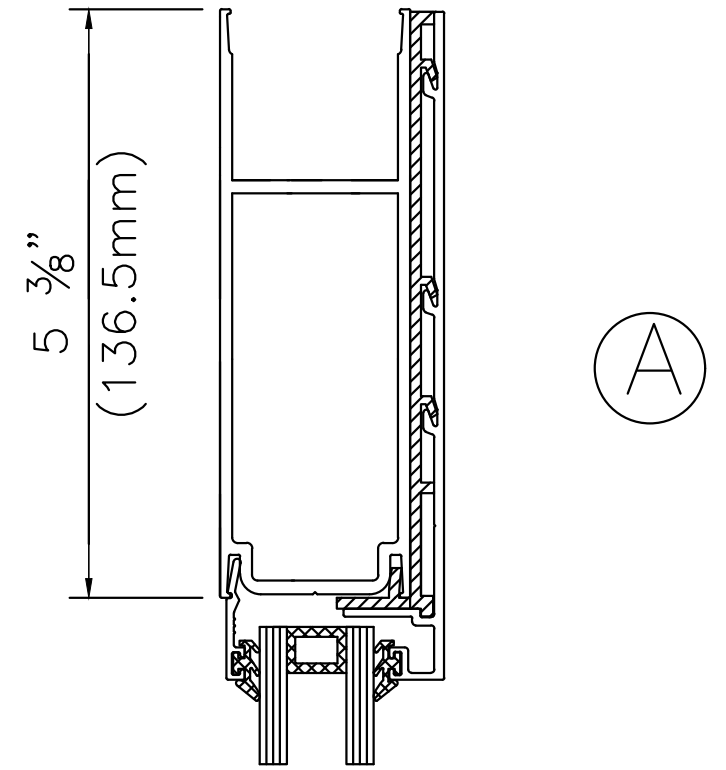
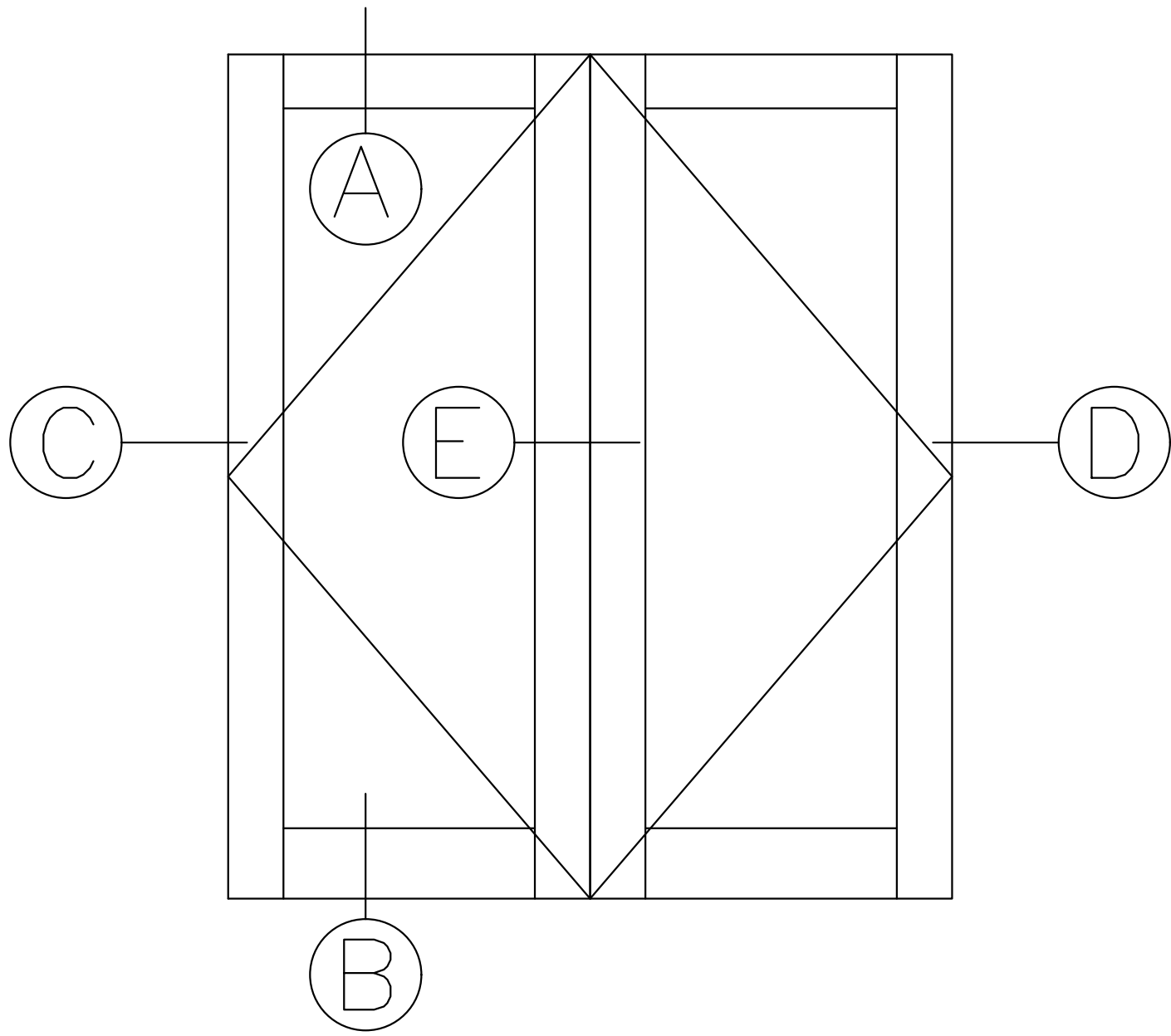
**COMMERCIAL DESIGN
SYSTEMS INC.**

DATE: AUGUST 2014
TEL: (905) 738-0188
FAX: (905) 738-6132
E-MAIL: CDS2009@BELLNET.CA

PAGE:

D5

550 SERIES WIDE STILE INSULATED DOORS



GLASS SIZE: S/U AT $24 \frac{1}{8}$ " X $70 \frac{1}{8}$ "



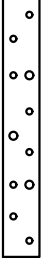
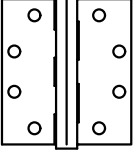
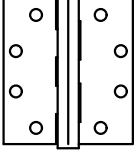
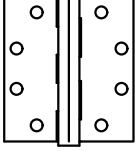
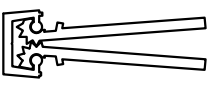
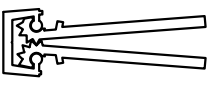
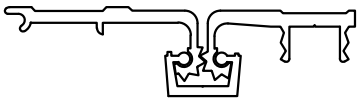

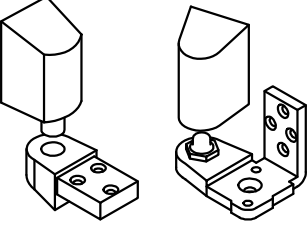
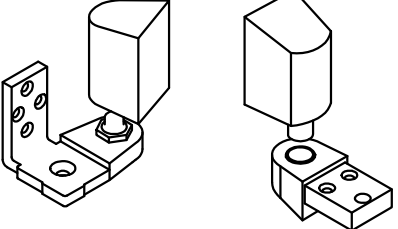
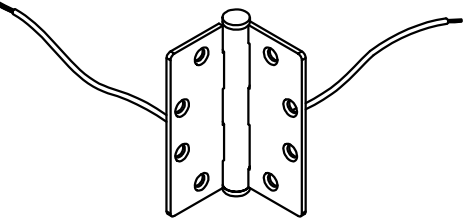
**COMMERCIAL DESIGN
SYSTEMS INC.**

DATE: AUGUST 2014
 TEL: (905) 738-0188
 FAX: (905) 738-6132
 E-MAIL: CDS2009@BELLNET.CA

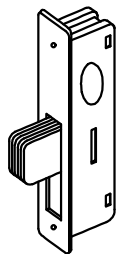
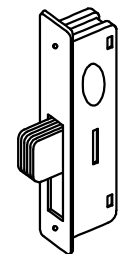
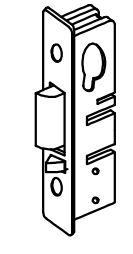
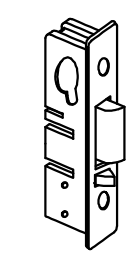
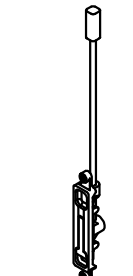
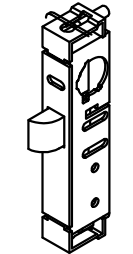
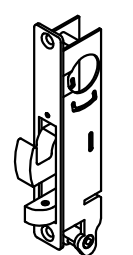
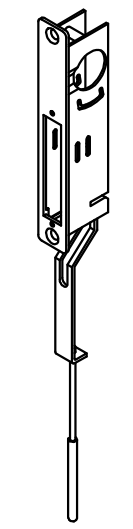
PAGE:

D6

DOOR HARDWARE HINGES

PART	PART NO	DESCRIPTION	FINISH
	H1203	BACKING PLATE FOR BUTT HINGES STEEL	MILL FINISH
	H1204	BUTT HINGES STEEL STANDARD HINGES $\frac{1}{8}$ " THICK	CLEAR ANODIZED BRONZE ANODIZED
	H1205	BUTT HINGES STAINLESS STEEL STANDARD HINGES $\frac{1}{8}$ " THICK	STAINLESS STEEL
	H1206	BUTT HINGES STAINLESS STEEL HEAVY DUTY HINGES $\frac{3}{16}$ " THICK	STAINLESS STEEL
	H1230	H.D. CONTINOUS HINGES $\frac{1}{8}$ INSERT CLEAR ANODIZED AT 83"	CLEAR ANODIZED BRONZE ANODIZED
	H1231	H.D. CONTINOUS HINGES $\frac{1}{8}$ INSERT CLEAR ANNODIZED AT 95"	CLEAR ANODIZED BRONZE ANODIZED
	H1232	FULL SURFACE CONTINOUS HINGES C P FINISH CLEAR ANOD. AT 83"	CLEAR ANODIZED BRONZE ANODIZED
	H1233	FULL SURFACE CONTINOUS HINGES C P FINISH CLEAR ANOD. AT 95"	CLEAR ANODIZED BRONZE ANODIZED
	H1301	OFFSET PIVOT RH	CLEAR ANODIZED BRONZE ANODIZED
	H1302	OFFSET PIVOT LH	CLEAR ANODIZED BRONZE ANODIZED
	H1306	ELECTRICAL CONTACT HINGES 4 WIRES	STAINLESS STEEL

DOOR HARDWARE LOCKING COMPONENTS

PART	PART NO	DESCRIPTION	FINISH
	H1208	ADAMS RITE MS 1850 DEAD LOCK 1 1/8" BACK SET THROW SPECIFY LH BEVEL, RH BEVEL, OR ROUND STILE IN CLEAR OR BRONZE FOR FACE PLATE	STEEL
	H1209	ADAMS RITE MS 1850 DEAD LOCK 1 1/8" BACK SET SHORT THROW SPECIFY LH BEVEL, RH BEVEL, OR ROUND STILE IN CLEAR OR BRONZE FOR FACE PLATE	STEEL
	H1210 RHR	ADAMS RITE MS 4513 LH LATCH LOCK DEAD LATCH LOCK 1 1/8" BACK SET SPECIFY LH BEVEL, RH BEVEL, OR ROUND STILE IN CLEAR OR BRONZE FOR FACE PLATE	STEEL
	H1210 LHR	ADAMS RITE MS 4513 RH LATCH LOCK DEAD LATCH LOCK 1 1/8" BACK SET SPECIFY LH BEVEL, RH BEVEL, OR ROUND STILE IN CLEAR OR BRONZE FOR FACE PLATE	STEEL
	H1217	FLUSHBOLTS APPLIED TO INACTIVE LEAF OF DOOR PAIRS WITHOUT MULLION (1/4" BRACKET)	STEEL
	H1310	4900 SERIES DEADLATCH	STEEL
	H1410	DEADBOLT LATCH COMBINATION 1 1/8" BACKSET	STEEL
	H1418	1871 CYLINDER OPERATED FLUSHBOLTS	CLEAR ANODIZED BRONZE ANODIZED



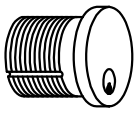
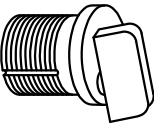
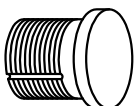
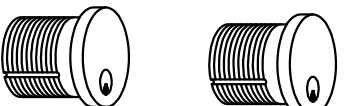
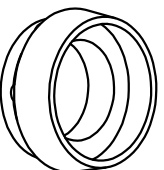


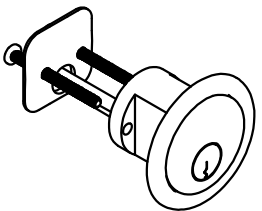
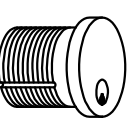
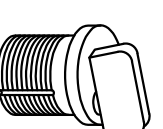
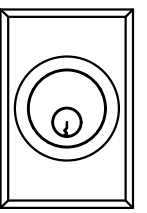
**COMMERCIAL DESIGN
SYSTEMS INC.**

DATE: AUGUST 2014
 TEL: (905) 738-0188
 FAX: (905) 738-6132
 E-MAIL: CDS2009@BELLNET.CA

PAGE:

E2

DOOR HARDWARE LOCK CYLINDERS

PART	PART NO	DESCRIPTION	FINISH
	H1211	SINGLE CYLINDER MORTISE CYLINDER	CLEAR ANODIZED BRONZE ANODIZED
	H1212	MORTISE CYLINDER THUMB TURN	CLEAR ANODIZED BRONZE ANODIZED
	H1213	DUMMY CYLINDER BLANK KEY WAY	CLEAR ANODIZED BRONZE ANODIZED
	H1214	PAIR OF CYLINDER KEYED A LIKE	CLEAR ANODIZED BRONZE ANODIZED
	H1276	ADAMS RITE MS 4043 CYLINDER GUARD	CLEAR ANODIZED BRONZE ANODIZED
	H1277	DON-JO LATCH PROTECTOR	CLEAR ANODIZED BRONZE ANODIZED
	H1278	STAINLESS STEEL LOCK GUARD	STAINLESS STEEL
	H1283	RIM CYLINDER	CLEAR ANODIZED BRONZE ANODIZED
	H1311	1 1/4" MORTISE CYLINDER FOR MS LOCK	CLEAR ANODIZED BRONZE ANODIZED
	H1312	1 1/4" MORTISE THUMBTURN FOR MS LOCK	CLEAR ANODIZED BRONZE ANODIZED
	H1384	CYLINDER ADAPTOR KIT FOR 8600 PANIC DEVICE CYLINDER ESCUTCHEON	CLEAR ANODIZED BRONZE ANODIZED BLACK ANODIZED



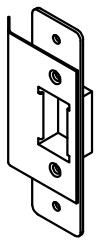
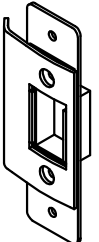
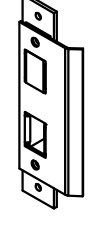
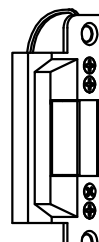
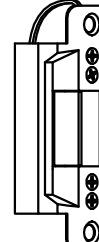
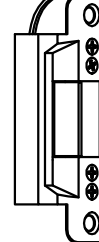

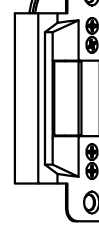
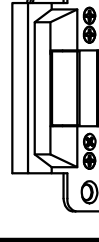

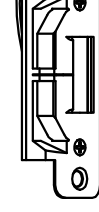
**COMMERCIAL DESIGN
SYSTEMS INC.**

DATE: AUGUST 2014
 TEL: (905) 738-0188
 FAX: (905) 738-6132
 E-MAIL: CDS2009@BELLNET.CA

PAGE:

E3

DOOR HARDWARE
DOOR STRIKES

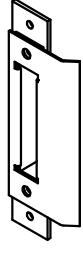
PART	PART NO	DESCRIPTION	FINISH
	H1218	STRIKE FOR LATCH LOCK 4502-1 FLAT FACE SINGLE DOORS FRAME MOUNT	STAINLESS STEEL
	H1219	PAIRS LATCH LOCK STRIKE PLATE	STAINLESS STEEL
	H1279	STRIKES FOR LATCH LOCKS WHEN REPLACING MS LOCKS	STAINLESS STEEL
	H1324	7100-24 ELECTRIC STRIKE CONTINOUS D C 24 V. SILENT FAIL SECURE	CLEAR ANODIZED BRONZE ANODIZED
	H1325	7101-24 ELECTRIC STIKE RADIAL CONTINOUS D C 24 V. SILENT FAIL SECURE	CLEAR ANODIZED BRONZE ANODIZED
	H1326	7101-12 ELECTRIC STIKE RADIAL CONTINOUS D C 12 V. SILENT FAIL SECURE	CLEAR ANODIZED BRONZE ANODIZED
	H1327	7100-12 ELECTRIC STRIKE CONTINOUS D C 12 V. SILENT FAIL SECURE	CLEAR ANODIZED BRONZE ANODIZED
	H1328	7101-12 ELECTRIC STIKE RADIAL CONTINOUS D C 12 V. FAIL SAFE	CLEAR ANODIZED BRONZE ANODIZED
	H1329	7100-24 ELECTRIC STIKE CONTINOUS D C 24 V. FAIL SAFE	CLEAR ANODIZED BRONZE ANODIZED
	H1330	7400-12-16-24V. AC/DC ELECTRIC STRIKE FLAT	CLEAR ANODIZED BRONZE ANODIZED
	H1331	7401-12-16-24V. AC/DC ELECTRIC STRIKE RADIAL	CLEAR ANODIZED BRONZE ANODIZED



**COMMERCIAL DESIGN
SYSTEMS INC.**

DATE: AUGUST 2014
 TEL: (905) 738-0188
 FAX: (905) 738-6132
 E-MAIL: CDS2009@BELLNET.CA

DOOR HARDWARE
DOOR STRIKES

PART	PART NO	DESCRIPTION	FINISH
	H1411	4506 STRIKE PLATE FOR COMBINATION LOCK	CLEAR ANODIZED BRONZE ANODIZED

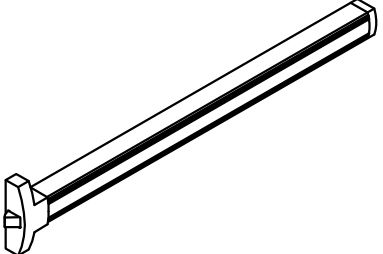
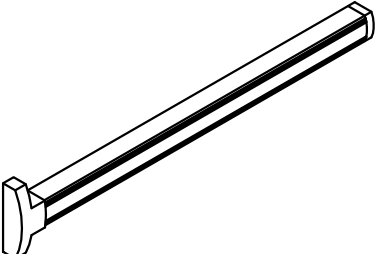
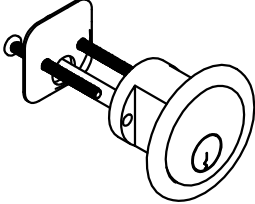
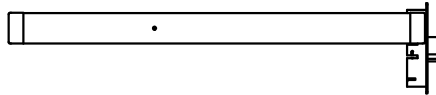
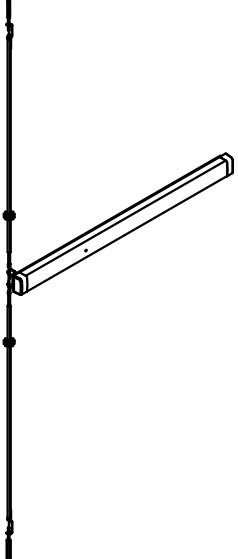


**COMMERCIAL DESIGN
SYSTEMS INC.**

DATE: AUGUST 2014
TEL: (905) 738-0188
FAX: (905) 738-6132
E-MAIL: CDS2009@BELLNET.CA

PAGE:
E5

DOOR HARDWARE PANIC BARS

PART	PART NO	DESCRIPTION	FINISH
	H1280	3790 RIM PANIC DEVICE	CLEAR ANODIZED BRONZE ANODIZED
	H1281	3690 CONCEALED VERTICAL ROD PANIC DEVICE	CLEAR ANODIZED BRONZE ANODIZED
	H1283	RIM CYLINDER	CLEAR ANODIZED BRONZE ANODIZED
	H1380	ADAMS RITE 8400 PANIC DEVICE	CLEAR ANODIZED BRONZE ANODIZED
	H1381	ADAMS RITE CONCEALED VERTICAL ROD 8600 PANIC DEVICE	CLEAR ANODIZED BRONZE ANODIZED



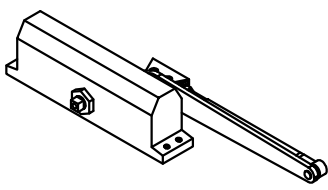
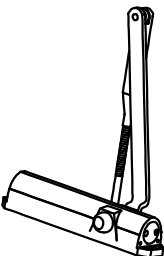
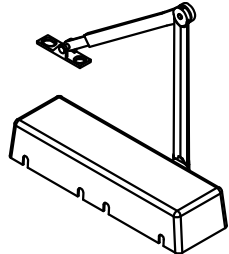
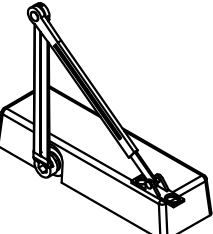
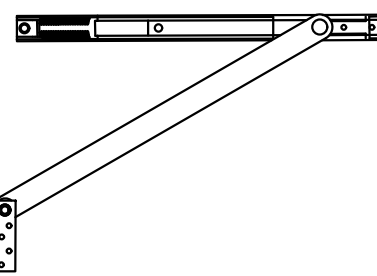
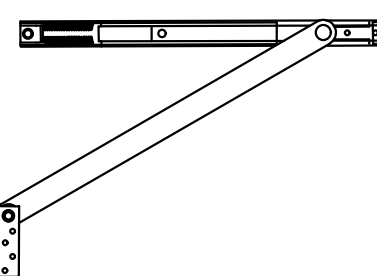
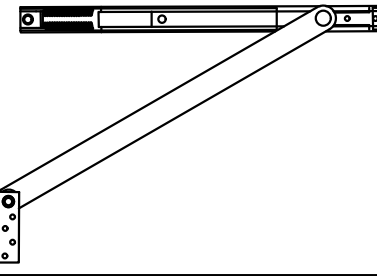
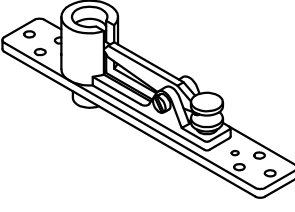
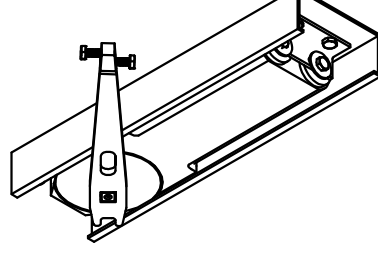
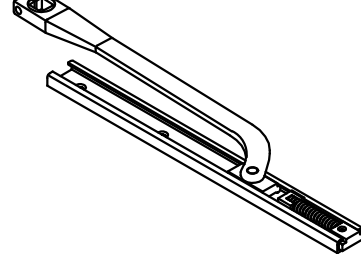
**COMMERCIAL DESIGN
SYSTEMS INC.**

DATE: AUGUST 2014
 TEL: (905) 738-0188
 FAX: (905) 738-6132
 E-MAIL: CDS2009@BELLNET.CA

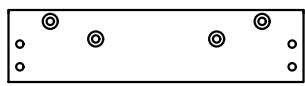
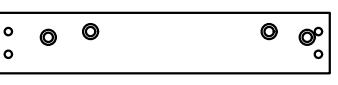
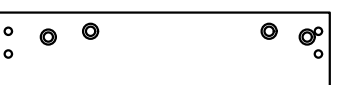
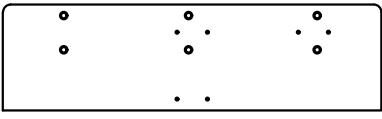
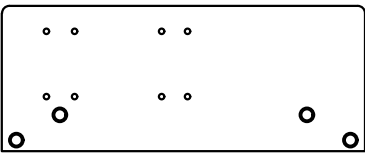
PAGE:

E6

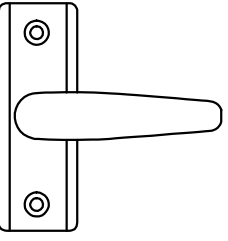
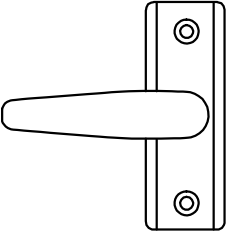
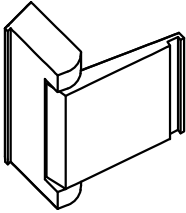
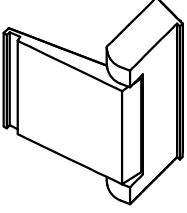

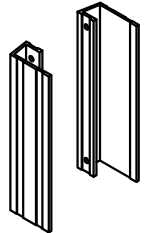
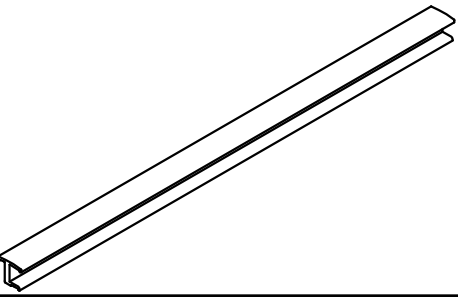
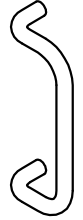
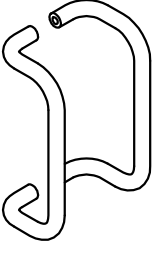

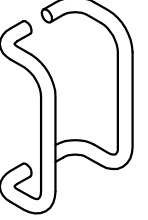
DOOR HARDWARE DOOR CLOSERS

PART	PART NO	DESCRIPTION	FINISH
	H1220	1064 STD DOOR CLOSER	CLEAR ANODIZED BRONZE ANODIZED
	H1221	DORMA 7436 SERIES CLOSER	CLEAR ANODIZED BRONZE ANODIZED
	H1222	4000 SERIES CLOSER	CLEAR ANODIZED BRONZE ANODIZED
	H1223	L C N 4040 X P DOOR CLOSER	CLEAR ANODIZED BRONZE ANODIZED
	H1235	GLYNN JOHNSON 104 STOP DOOR OPENING 33 $\frac{1}{8}$ " - 39"	STAINLESS STEEL
	H1236	GLYNN JOHNSON 105 STOP DOOR OPENING 39 $\frac{1}{8}$ " - 45"	STAINLESS STEEL
	H1237	GLYNN JOHNSON 106 STOP DOOR OPENING 45 $\frac{1}{8}$ " - 54"	STAINLESS STEEL
	H1733	WALKING BEAM TOP PIVOT	CLEAR ANODIZED BRONZE ANODIZED
	H1735	RTS 88 CONCEALED CLOSER Options: 90 NHO, 90 HO 105 NHO, 105 HO	MILL FINISH
	H1740	RTS 88 OFFSET TOP ARM	CLEAR ANODIZED BRONZE ANODIZED

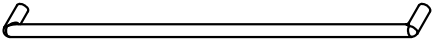

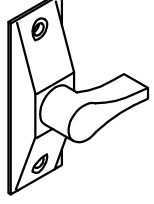
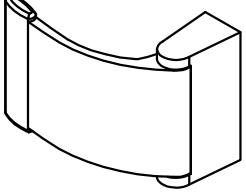

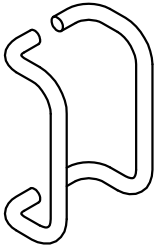

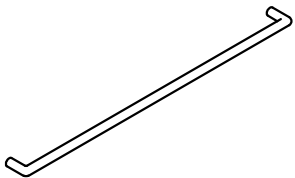
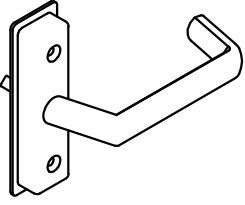
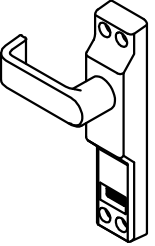
DOOR HARDWARE CLOSER DROP PLATES

PART	PART NO	DESCRIPTION	FINISH
	H 1224	DROP PLATE DOREX THINLINE CLOSER	MILL FINISH
	H 1225	DROP PLATE 11 X 2 7436 SERIES CLOSERS	MILL FINISH
	H 1226	DROP PLATE 11 X 3 1/2 7436 SERIES CLOSERS	MILL FINISH
	H 1228	4040-18 G DROP PLATE	MILL FINISH
	H 1229	4000-18 A DROP PLATE	MILL FINISH

DOOR HARDWARE DOOR OPERATORS

PART	PART NO	DESCRIPTION	FINISH
	H1215 RHR	ADAMS RITE 4560 LEVER HANDLE RH USE ON INSIDE OF LHR	CLEAR ANODIZED BRONZE ANODIZED
	H1215 LHR	ADAMS RITE 4560 LEVER HANDLE LH USE ON INSIDE OF RHR	CLEAR ANODIZED BRONZE ANODIZED
	H1216 RHR	ADAMS RITE 4590 PUSH PADDLE FOR LATCH LOCK	CLEAR ANODIZED BRONZE ANODIZED
	H1216 LHR	ADAMS RITE 4590 PUSH PADDLE FOR LATCH LOCK	CLEAR ANODIZED BRONZE ANODIZED
	H1245	STANDARD PULL HANDLE 10 1/2"	CLEAR ANODIZED BRONZE ANODIZED
	H1246	STANDARD PULL HANDLE BACK TO BACK 10 1/2"	CLEAR ANODIZED BRONZE ANODIZED
	H1247	STANDARD PUSH BAR	CLEAR ANODIZED BRONZE ANODIZED
	H1250	12" OFFSET PULL 1" DIAMETER	CLEAR ANODIZED BRONZE ANODIZED
	H1251	12" OFFSET PULL BACK TO BACK 1" DIAMETER	CLEAR ANODIZED BRONZE ANODIZED
	H1252	9" OFFSET PULL MTG. #2 1180 1" DIA.	CLEAR ANODIZED BRONZE ANODIZED
	H1253	9" OFFSET PULL BACK TO BACK 1" DIAMETER	CLEAR ANODIZED BRONZE ANODIZED

DOOR HARDWARE DOOR OPERATORS

PART	PART NO	DESCRIPTION	FINISH
	H1254	1" DIA. CLASSIC PUSH BAR	CLEAR ANODIZED BRONZE ANODIZED
	H1259	CYLINDER PULL	CLEAR ANODIZED BRONZE ANODIZED
	H1315	4565 LEVER HANDLE	CLEAR ANODIZED BRONZE ANODIZED
	H1316	4591 PADDLE ACTIVATOR	CLEAR ANODIZED BRONZE ANODIZED
	H1350	12" OFFSET PULL 1" DIA. S.S.	STAINLESS STEEL
	H1351	12" OFFSET PULL SET 1" DIA. S.S.	STAINLESS STEEL
	H1352	9" OFFSET PULL 1" DIA. S.S.	STAINLESS STEEL
	H1354	1" DIA. OFFSET PUSH BAR S.S.	STAINLESS STEEL
	H1415	EUROSTYLE LEVERS FOR LATCH LOCK	CLEAR ANODIZED BRONZE ANODIZED
	H1416	MS DEADBOLT LEVERS 90 DEGREE TURN	CLEAR ANODIZED BRONZE ANODIZED

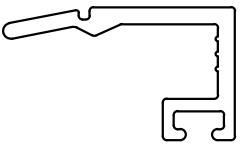

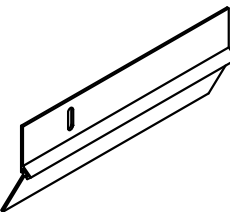
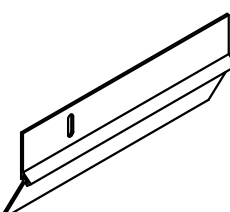
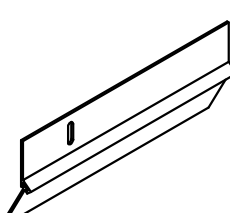
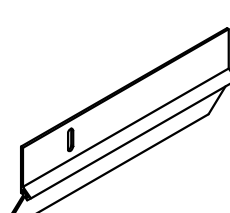


**COMMERCIAL DESIGN
SYSTEMS INC.**

DATE: AUGUST 2014
 TEL: (905) 738-0188
 FAX: (905) 738-6132
 E-MAIL: CDS2009@BELLNET.CA

PAGE:
E10

DOOR HARDWARE GLASS STOPS & DOOR SWEEPS

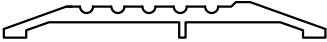
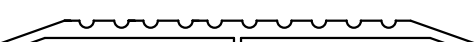
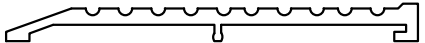
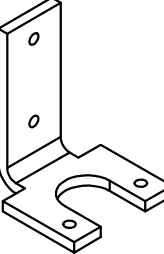
PART	PART NO	DESCRIPTION	FINISH
	H1491	SINGLE GLASS STOP SETS FOR STANDARD SIZE DOOR	CLEAR ANODIZED BRONZE ANODIZED
	HS3202	SINGLE GLASS STOPS	
	H1492	SEAL UNIT GLASS STOP SETS FOR STANDARD SIZE DOOR	CLEAR ANODIZED BRONZE ANODIZED
	HS3303	SEAL UNIT GLAZING STOPS	
	H1241	36" DOOR SWEEP	CLEAR ANODIZED BRONZE ANODIZED
	H1242	42" DOOR SWEEP	CLEAR ANODIZED BRONZE ANODIZED
	H1243	48" DOOR SWEEP	CLEAR ANODIZED BRONZE ANODIZED
	H1244	60" DOOR SWEEP	CLEAR ANODIZED BRONZE ANODIZED



**COMMERCIAL DESIGN
SYSTEMS INC.**

DATE: AUGUST 2014
 TEL: (905) 738-0188
 FAX: (905) 738-6132
 E-MAIL: CDS2009@BELLNET.CA

DOOR HARDWARE THRESHOLDS

PART	PART NO	DESCRIPTION	FINISH
	H12936	4 1/2" THRESHOLD AT 36"	MILL FINISH
	H12972	4 1/2" THRESHOLD AT 72"	
	3604	4 1/2" THRESHOLD AT 21' 2"	
	H139236	7" THRESHOLD AT 36"	MILL FINISH
	H139272	7" THRESHOLD AT 72"	
	3607	7" THRESHOLD AT 21' 2"	
	H13936	5 1/2" SQUARE BACK THRESHOLD AT 36"	MILL FINISH
	H13972	5 1/2" SQUARE BACK THRESHOLD AT 72"	
	3605	5 1/2" SQUARE BACK THRESHOLD AT 21' 2"	
	H1292	THRESHOLD MEETING CLIP	MILL FINISH



**COMMERCIAL DESIGN
SYSTEMS INC.**

DATE: AUGUST 2014
 TEL: (905) 738-0188
 FAX: (905) 738-6132
 E-MAIL: CDS2009@BELLNET.CA

PAGE:
E12

ENTRANCE FRAMING INDEX

SECTION A – 400 ENTRANCE FRAMING

PAGE–A1	–	400	SERIES	INFORMATION
PAGE–A2	–	400	SERIES	FRAMING SECTIONS
PAGE–A3 TO A4	–	400	SERIES	WITH STANDARD DOOR
PAGE–A5 TO A7	–	400	SERIES	DETAILS
PAGE–A8 TO A13	–	400	SERIES	WITH 210 DOORS DETAILS
PAGE–A14 TO A16	–	400	SERIES	WITH 400 DOORS DETAILS
PAGE–A17 TO A19	–	400	SERIES	WITH 550 DOORS DETAILS

SECTION B – 450 ENTRANCE FRAMING

PAGE–B1	–	450	SERIES	INFORMATION
PAGE–B2 TO B3	–	450	SERIES	FRAMING SECTIONS
PAGE–B4 TO B5	–	450	SERIES	WITH STANDARD DOOR
PAGE–B6 TO B7	–	450	SERIES	DETAILS
PAGE–B8 TO B9	–	450	SERIES	WITH 210 DOORS DETAILS

SECTION C – 460 ENTRANCE FRAMING

PAGE–C1	–	460	SERIES	INFORMATION
PAGE–C2 TO C3	–	460	SERIES	FRAMING SECTIONS
PAGE–C4 TO C5	–	460	SERIES	WITH STANDARD DOOR
PAGE–C6 TO C7	–	460	SERIES	DETAILS
PAGE–C8 TO C11	–	460	SERIES	WITH 210 DOORS DETAILS

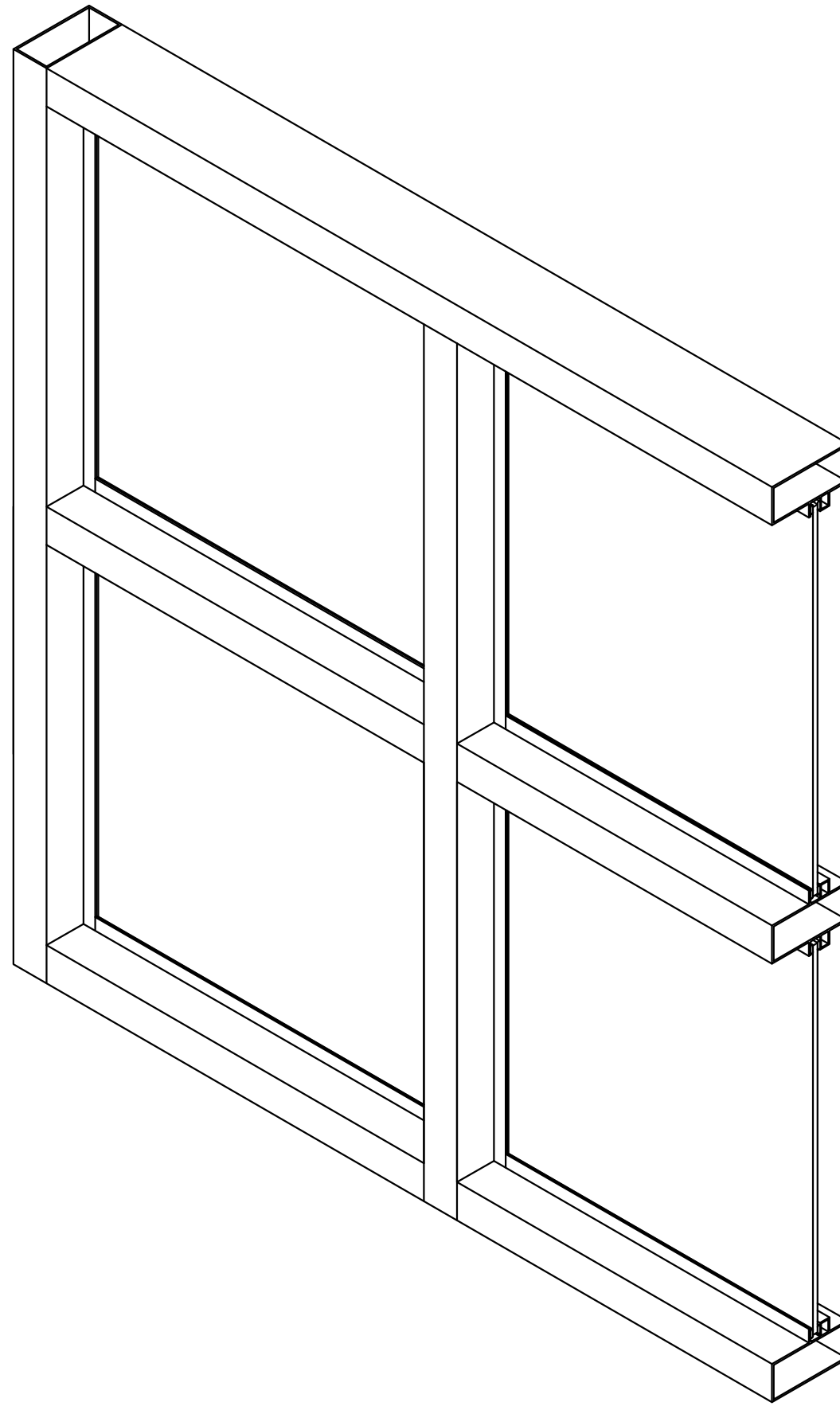


**COMMERCIAL DESIGN
SYSTEMS INC.**

DATE: AUGUST 2014
TEL: (905) 738-0188
FAX: (905) 738-6132
E-MAIL: CDS2009@BELLNET.CA

PAGE:

400 ENTRANCE FRAMING INFORMATION



DESCRIPTION:

IT IS A NON-THERMALLY BROKEN SYSTEM. ENTRANCE FRAMING DIMENSIONS ARE 1 $\frac{3}{4}$ "X4" WITH A $\frac{5}{8}$ " FIN.

FINISH:

STOCKED:

CLEAR ANODIZED (#17)
STANDARD BRONZE (#40)

NON-STOCKED*:

CLEAR ANODIZED (#14)
LIGHT BRONZE (#26)
BLACK ANODIZED (#29)

*PAINT FINISHES ARE AVAILABLE UPON REQUEST

STOCK LENGTH:

24'(7.31M)

GLAZING:

400 SERIES ACCEPTS 1"(25.4mm) AND $\frac{1}{4}$ "(6mm) GLAZING UNITS



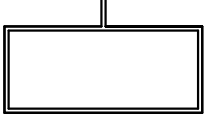
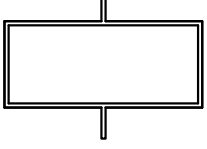
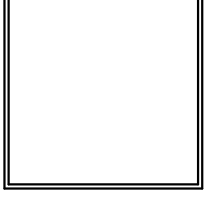


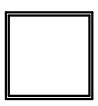
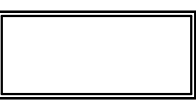
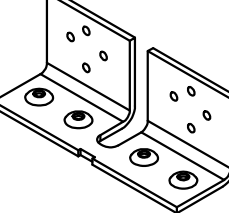



**COMMERCIAL DESIGN
SYSTEMS INC.**

DATE: AUGUST 2014
TEL: (905) 738-0188
FAX: (905) 738-6132
E-MAIL: CDS2009@BELLNET.CA

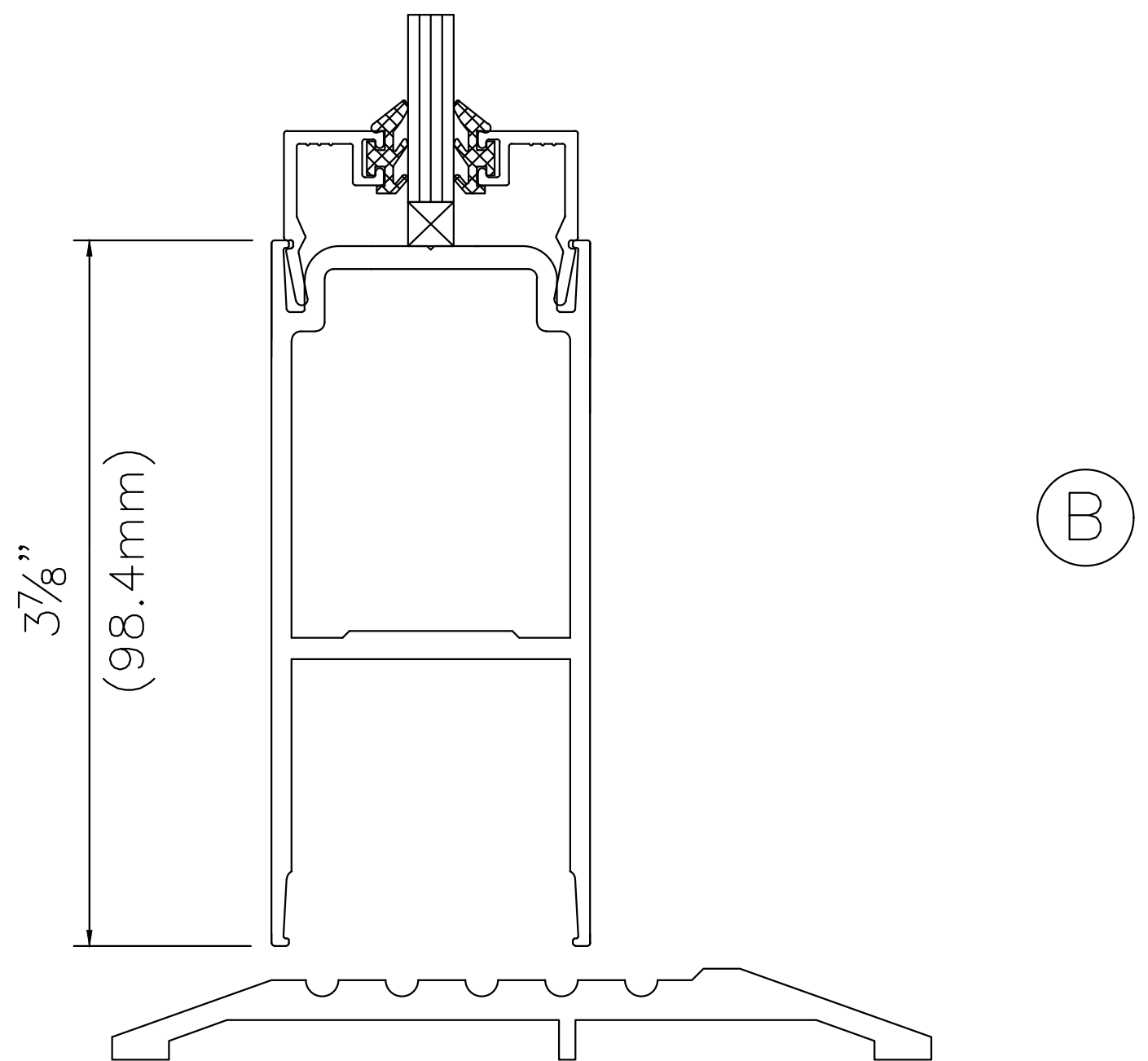
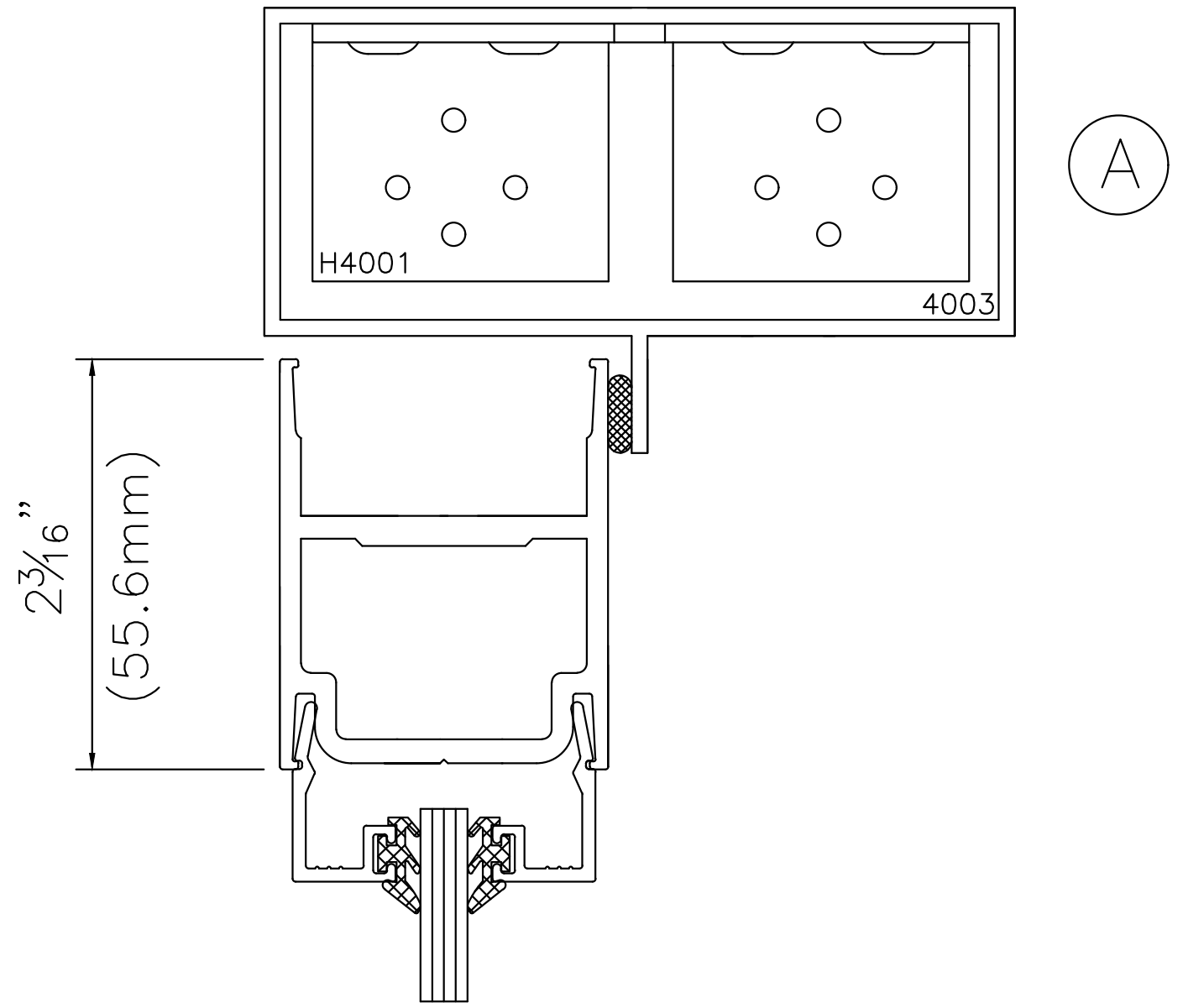
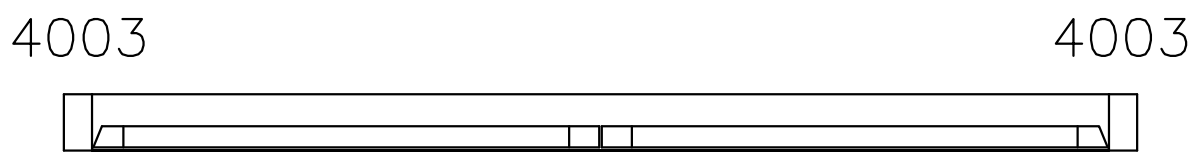
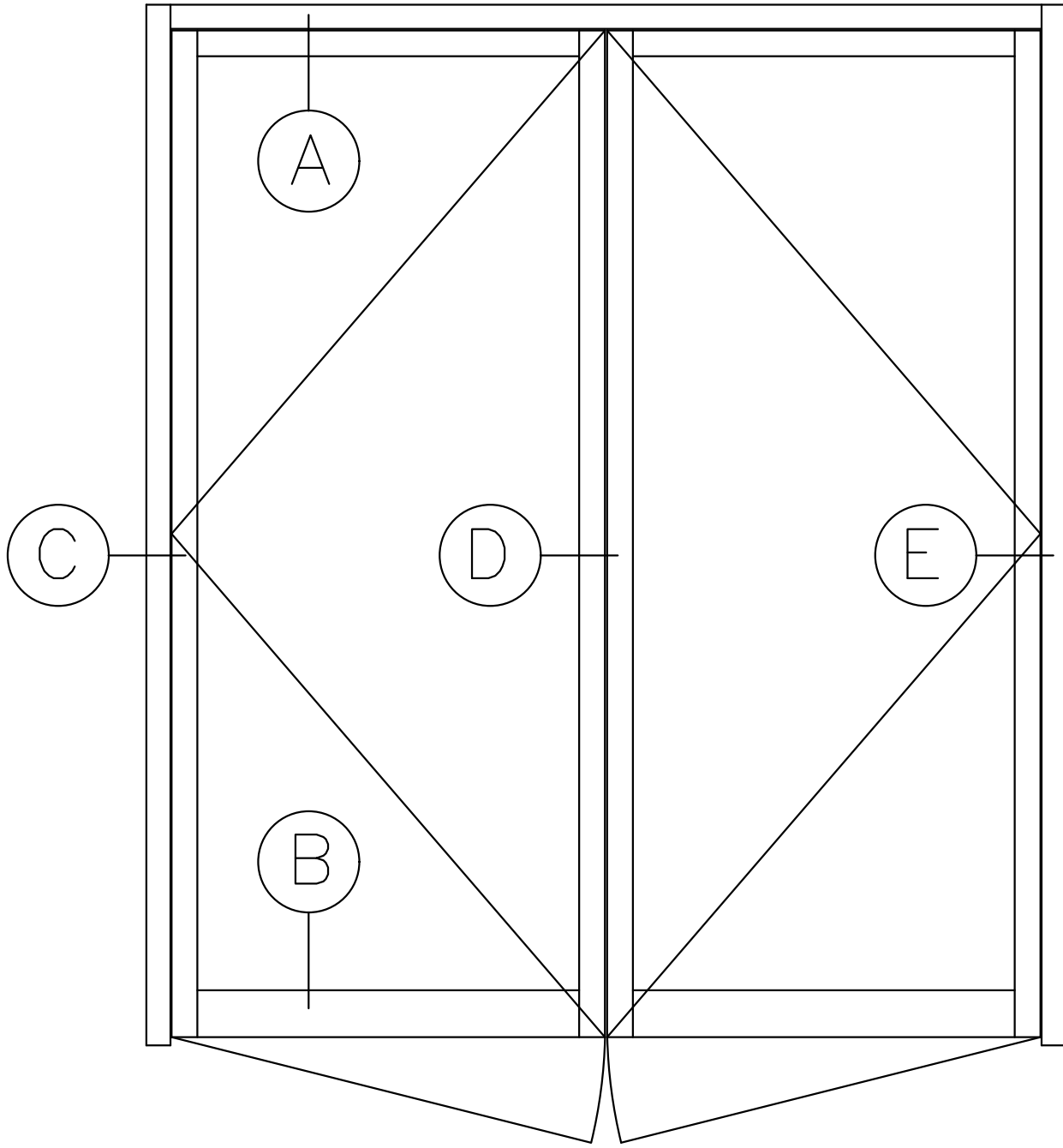
PAGE:

A1

SERIES 400 ENTRANCE FRAME (WITH FABRICATION ACCESORIES)

PART	PART NO	DESCRIPTION	FINISH
	4003	1 $\frac{3}{4}$ " X 4" (44.5mm x 101.6mm) FRAME $\frac{5}{8}$ " FIN CLOSED BACK PERIMETER	STOCKED CLEAR ANODIZED(2) STANDARD BRONZED ANODIZED(3)
			NOT STOCKED LIGHT BRONZED ANODIZED(5) BLACK ANODIZED(6)
	4004	1 $\frac{3}{4}$ " X 4" (44.5mm x 101.6mm) FRAME $\frac{5}{8}$ " DOUBLE FIN	STOCKED CLEAR ANODIZED(2) STANDARD BRONZED ANODIZED(3)
			NOT STOCKED LIGHT BRONZED ANODIZED(5) BLACK ANODIZED(6)
	4005	4" X 4" SQUARE CORNER POST OR MULLION	STOCKED CLEAR ANODIZED(2) STANDARD BRONZED ANODIZED(3)
			NOT STOCKED LIGHT BRONZED ANODIZED(5) BLACK ANODIZED(6)
	4006	$\frac{1}{2}$ " X $\frac{5}{8}$ " CHANNEL GLASS STOP	STOCKED CLEAR ANODIZED(2) STANDARD BRONZED ANODIZED(3)
			NOT STOCKED LIGHT BRONZED ANODIZED(5) BLACK ANODIZED(6)
	4007	$\frac{1}{2}$ " X $\frac{5}{8}$ " ANGLE	STOCKED CLEAR ANODIZED(2) STANDARD BRONZED ANODIZED(3)
			NOT STOCKED LIGHT BRONZED ANODIZED(5) BLACK ANODIZED(6)
	4008	1 $\frac{3}{4}$ " X 1 $\frac{3}{4}$ " (44.5mm x 44.5mm) SQUARE TUBE	STOCKED CLEAR ANODIZED(2) STANDARD BRONZED ANODIZED(3)
			NOT STOCKED LIGHT BRONZED ANODIZED(5) BLACK ANODIZED(6)
	4010	1 $\frac{3}{4}$ " X 4" (44.5mm x 101.6mm) PLAIN TUBE	STOCKED CLEAR ANODIZED(2) STANDARD BRONZED ANODIZED(3)
			NOT STOCKED LIGHT BRONZED ANODIZED(5) BLACK ANODIZED(6)
	H4001	#80 STORE FRONT ASSEMBLY BRACKET	
	H4005	#10 X 24 X $\frac{5}{8}$ " FLAT HEAD SOCKET MACHINE	
	H4006	#6 X 1 $\frac{1}{4}$ " TECK FLAT HEAD	
	R4001	500 SERIES WEATHERSTRIPPING	

400 ENTRANCE FRAMING (1 $\frac{3}{4}$ " X 4") WITH STANDARD DOOR



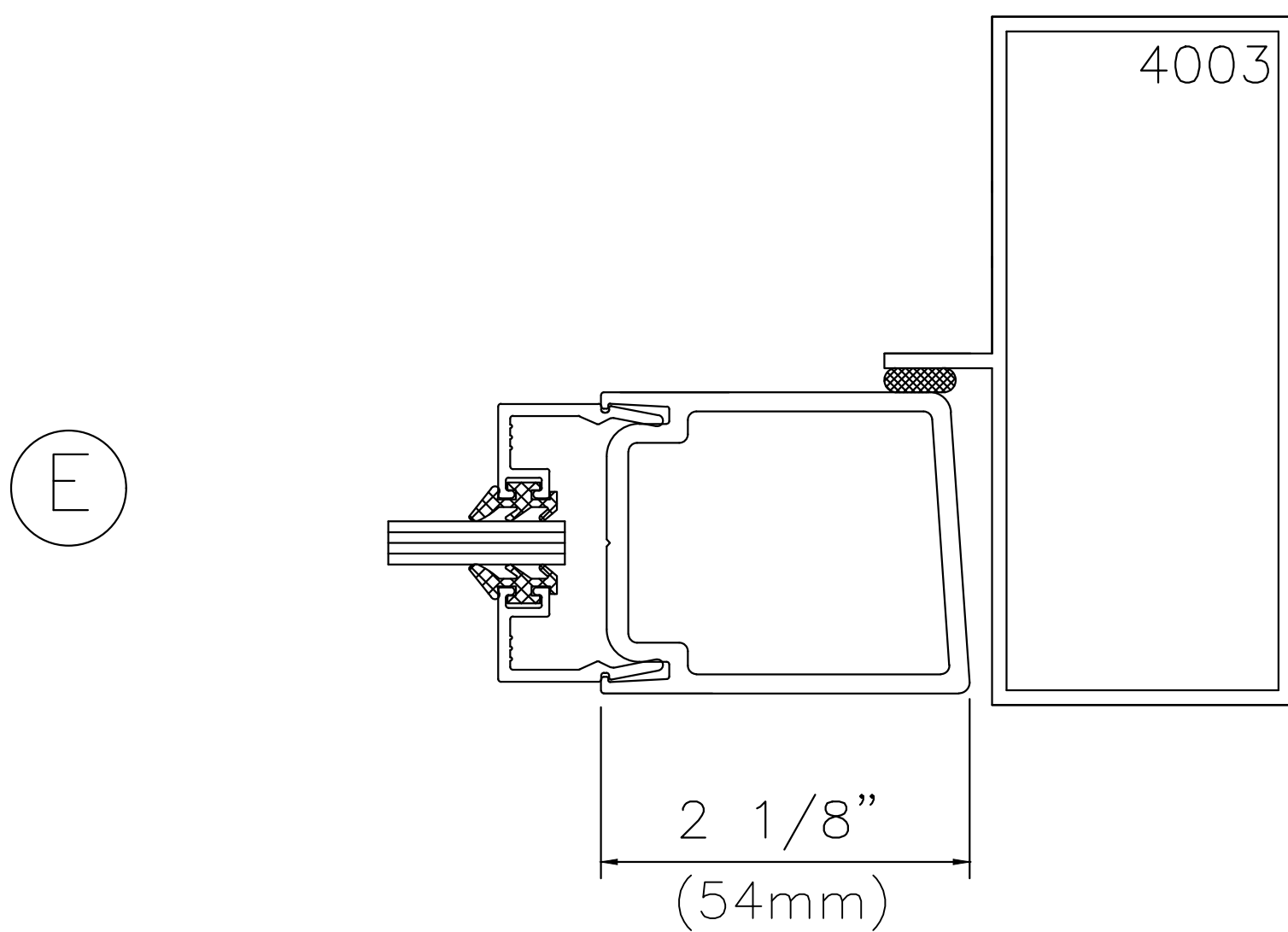
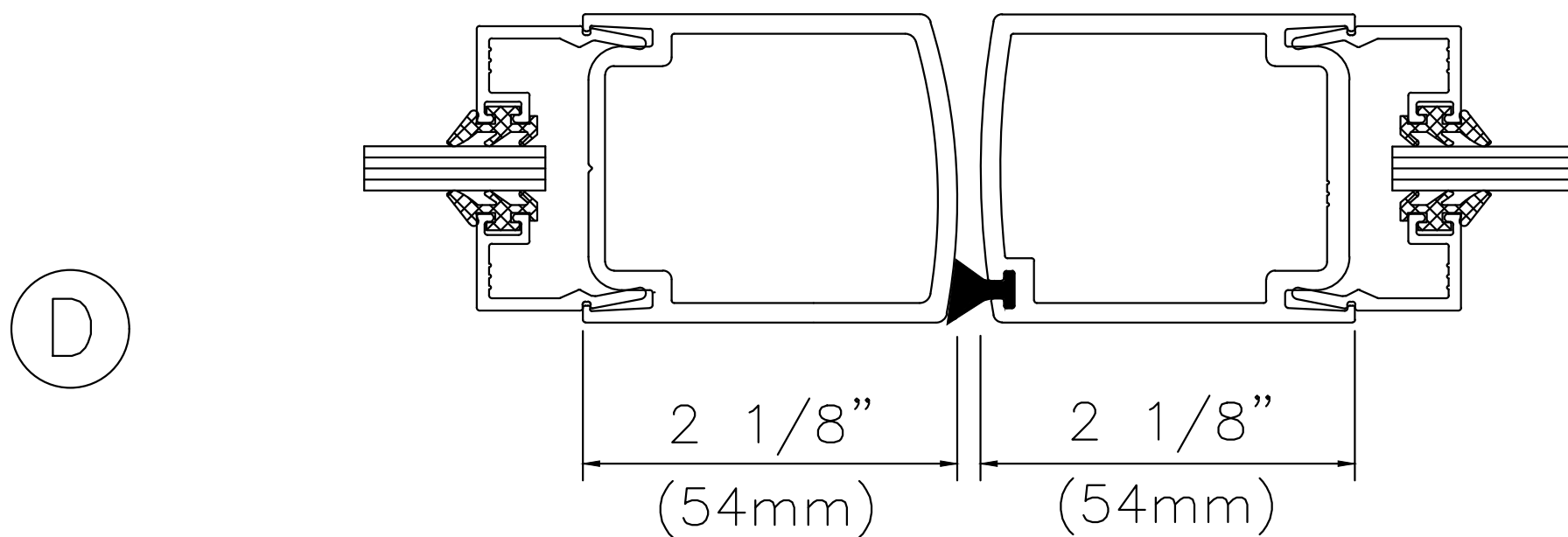
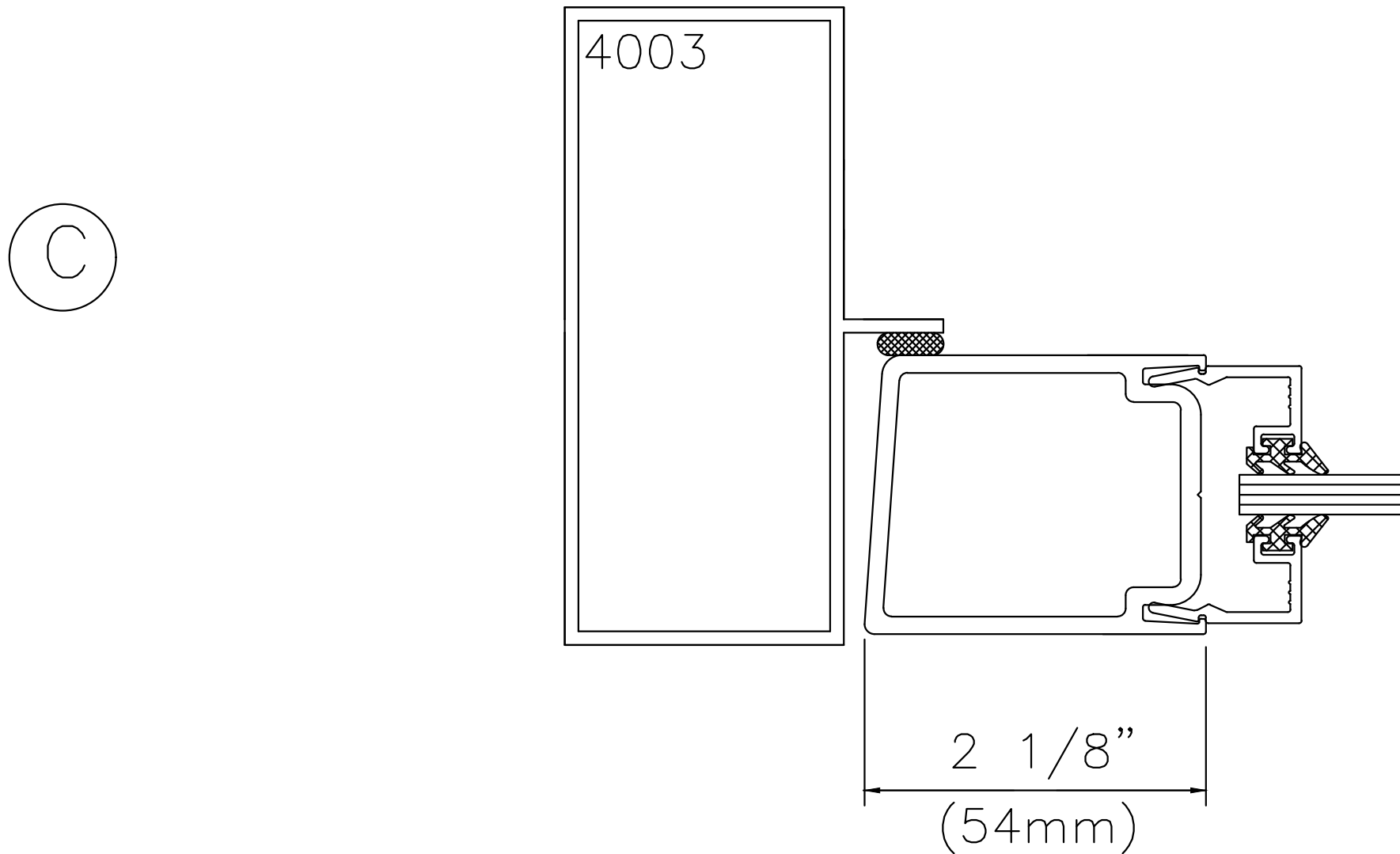
**COMMERCIAL DESIGN
SYSTEMS INC.**

DATE: AUGUST 2014
 TEL: (905) 738-0188
 FAX: (905) 738-6132
 E-MAIL: CDS2009@BELLNET.CA

PAGE:

A3

400 ENTRANCE FRAMING (1 3/4" X 4") WITH STANDARD DOOR



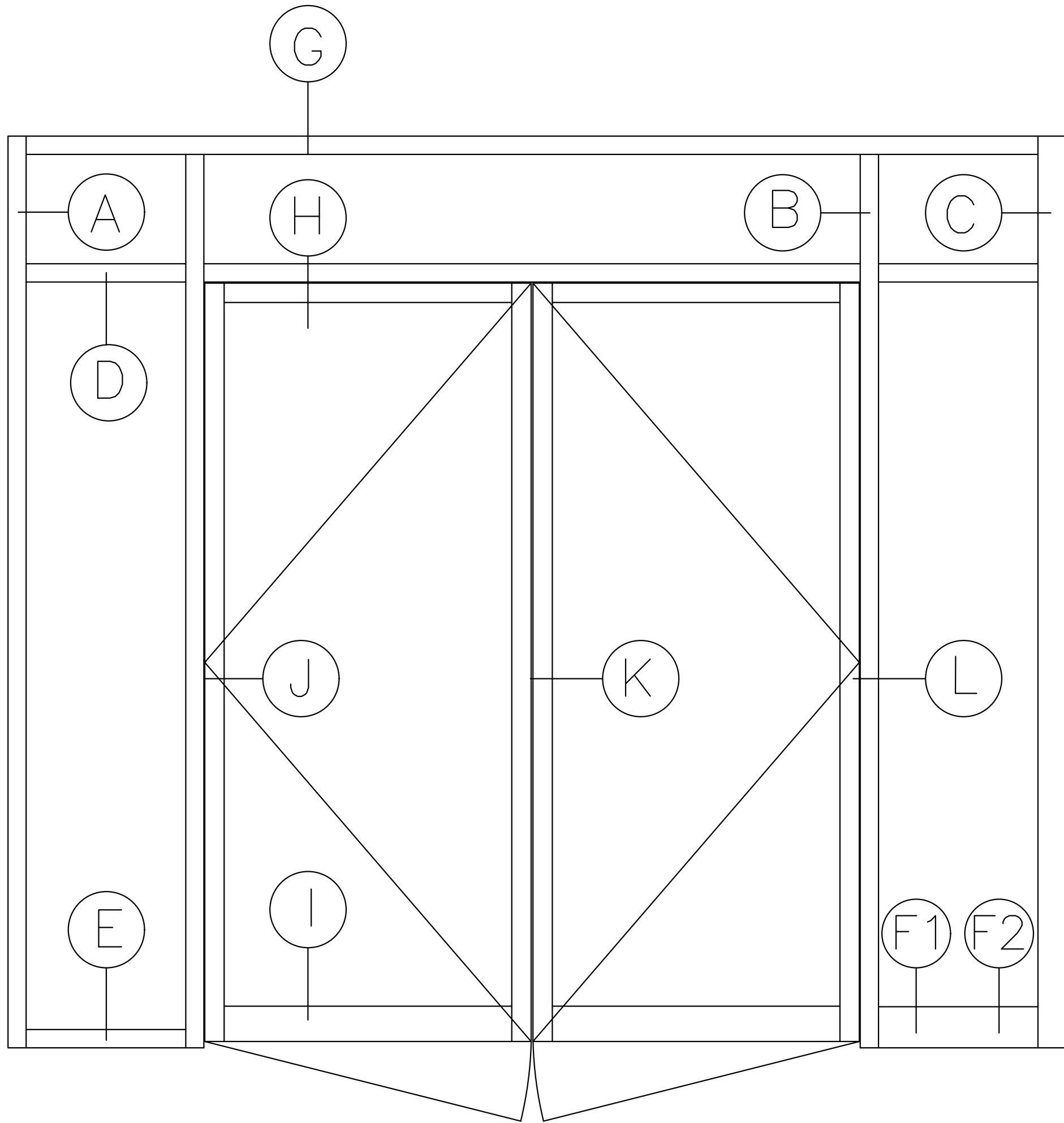
**COMMERCIAL DESIGN
SYSTEMS INC.**

DATE: AUGUST 2014
TEL: (905) 738-0188
FAX: (905) 738-6132
E-MAIL: CDS2009@BELLNET.CA

PAGE:

A4

400 ENTRANCE FRAMING (1 $\frac{3}{4}$ " X 4")



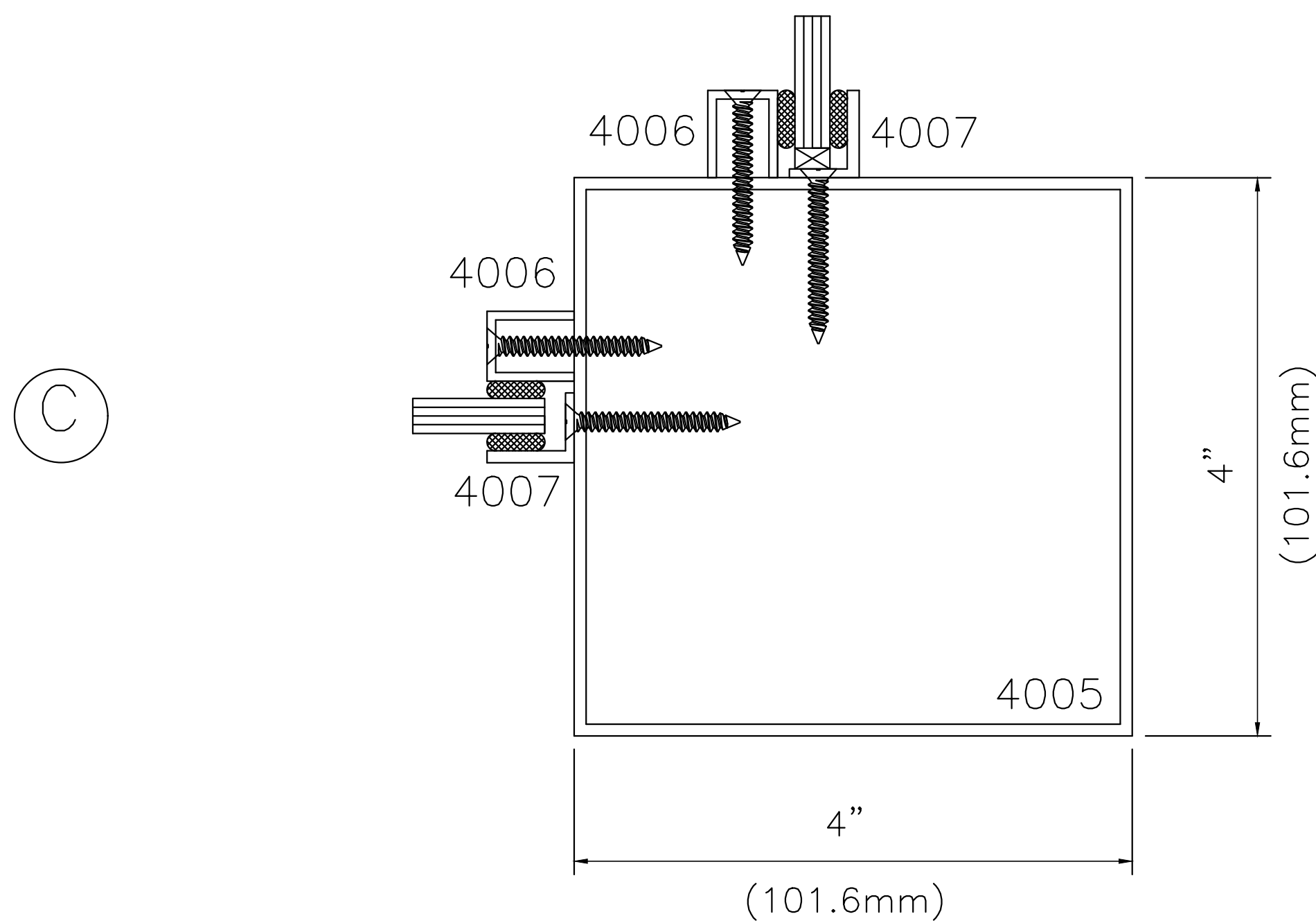
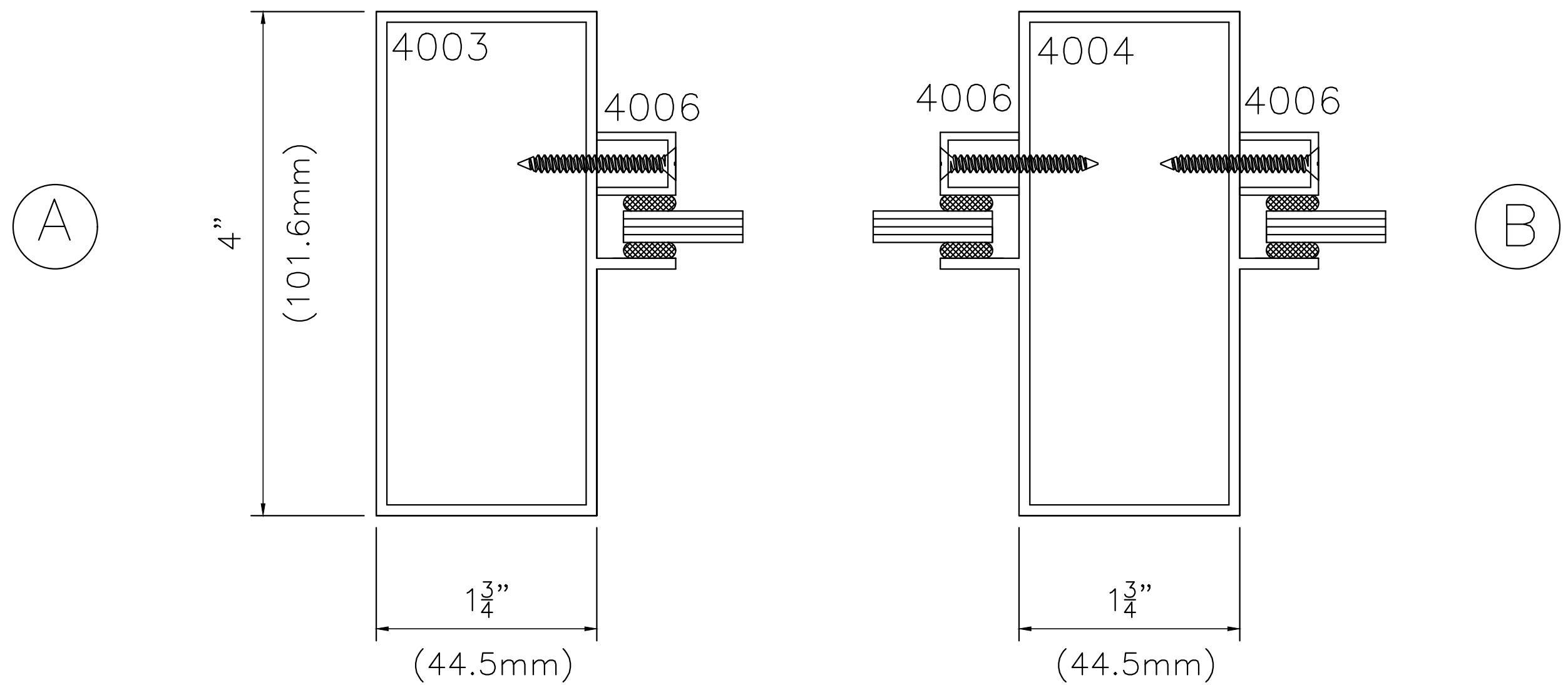
**COMMERCIAL DESIGN
SYSTEMS INC.**

DATE: AUGUST 2014
 TEL: (905) 738-0188
 FAX: (905) 738-6132
 E-MAIL: CDS2009@BELLNET.CA

PAGE:

A5

400 ENTRANCE FRAMING (1 3/4" X 4")



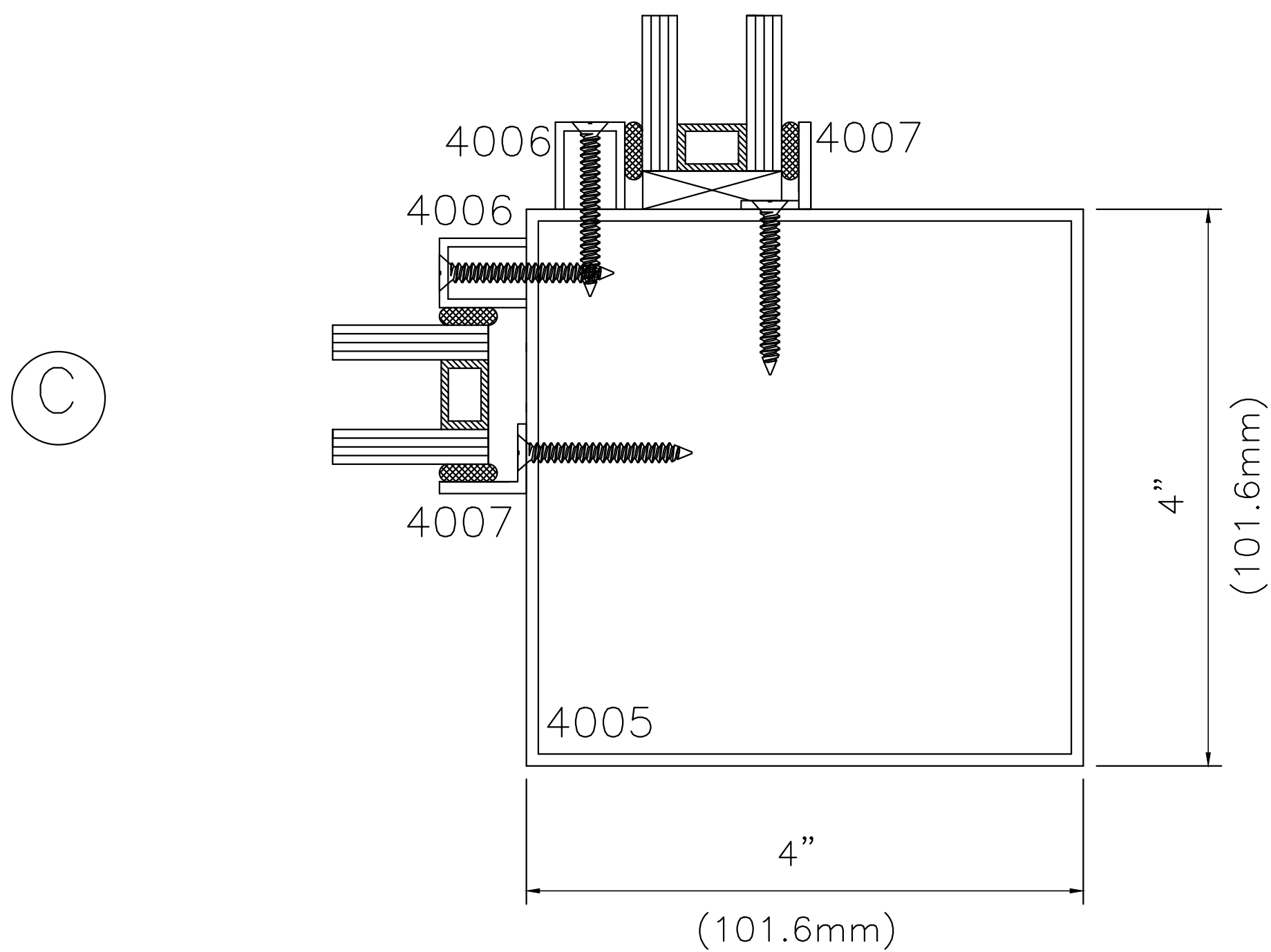
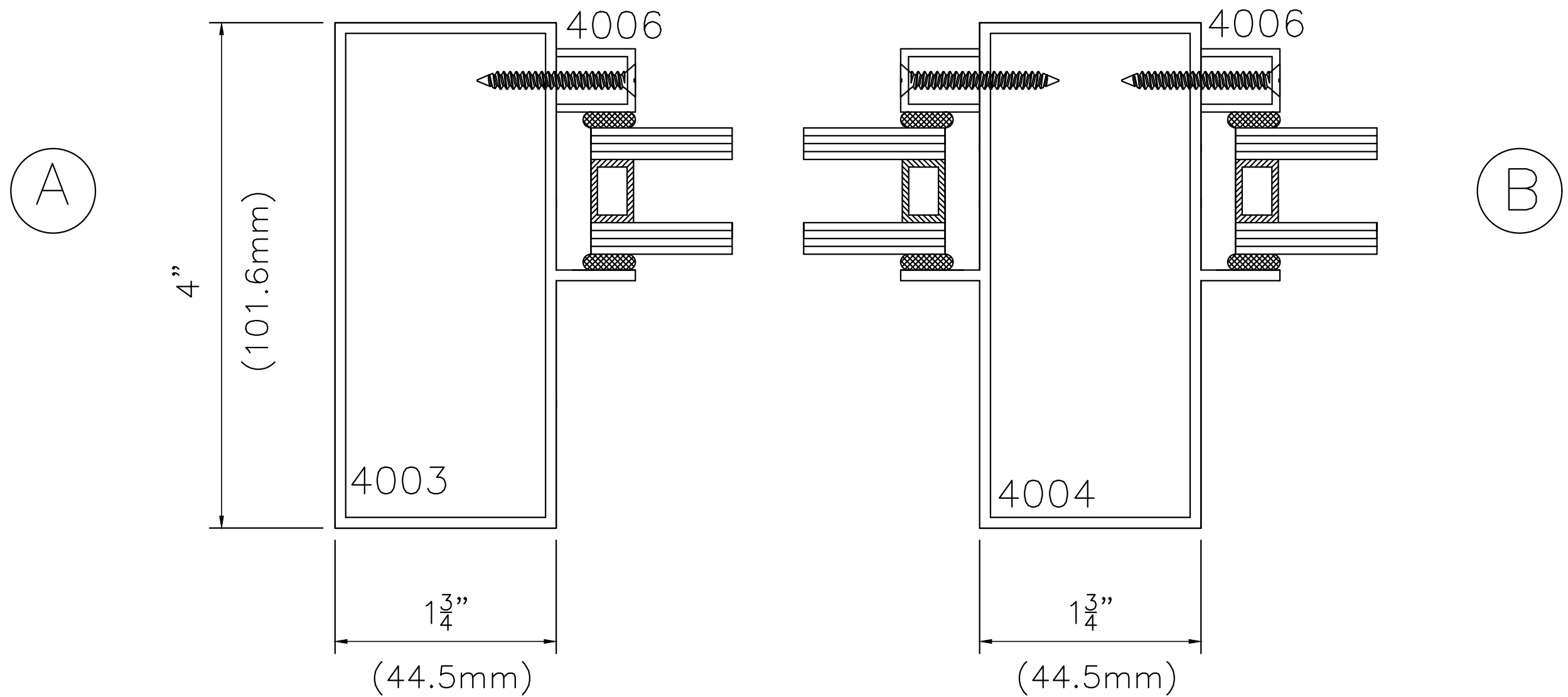
**COMMERCIAL DESIGN
SYSTEMS INC.**

DATE: AUGUST 2014
 TEL: (905) 738-0188
 FAX: (905) 738-6132
 E-MAIL: CDS2009@BELLNET.CA

PAGE:

A6

400 ENTRANCE FRAMING (1 $\frac{3}{4}$ " X 4") WITH 1" GLAZING



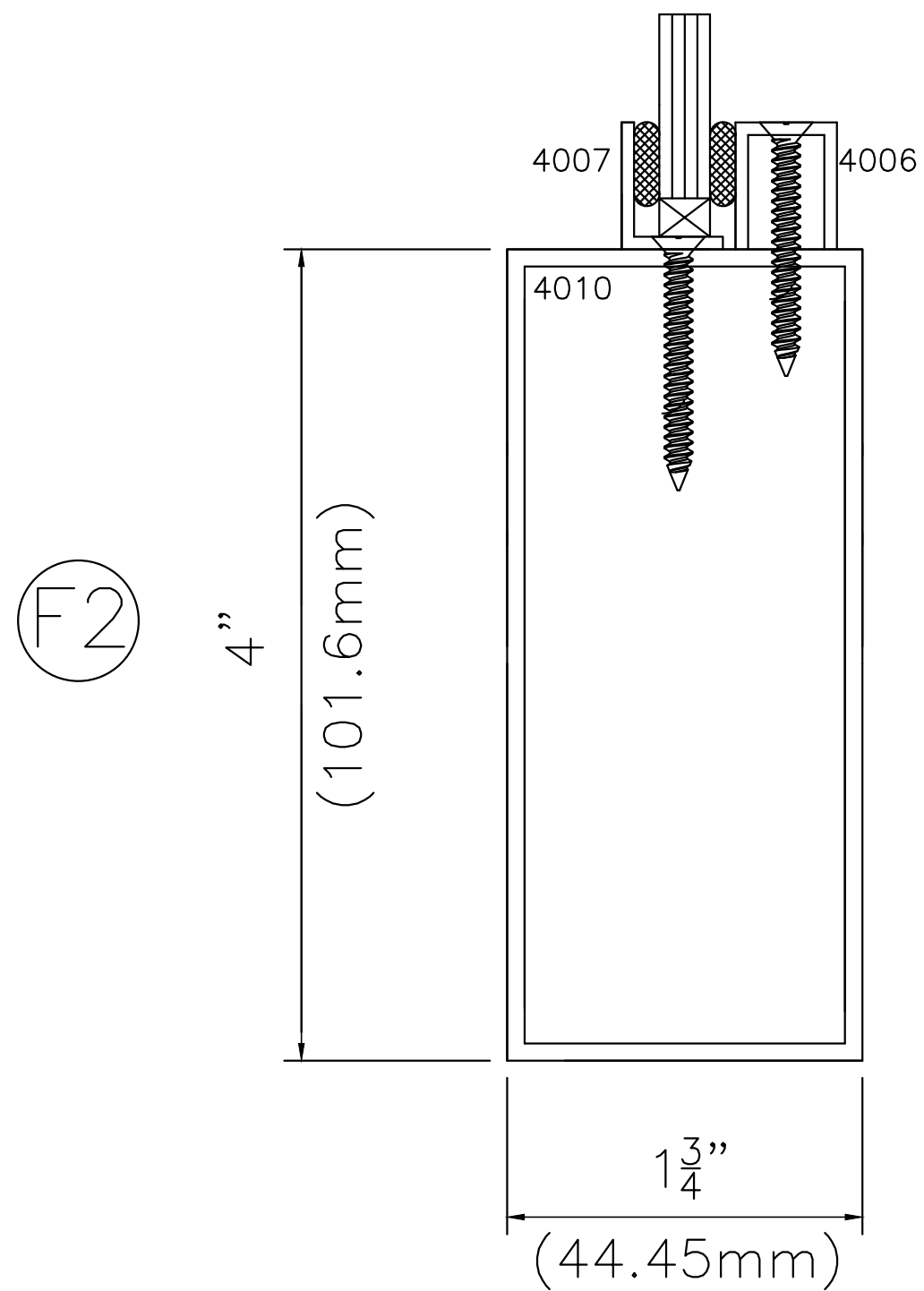
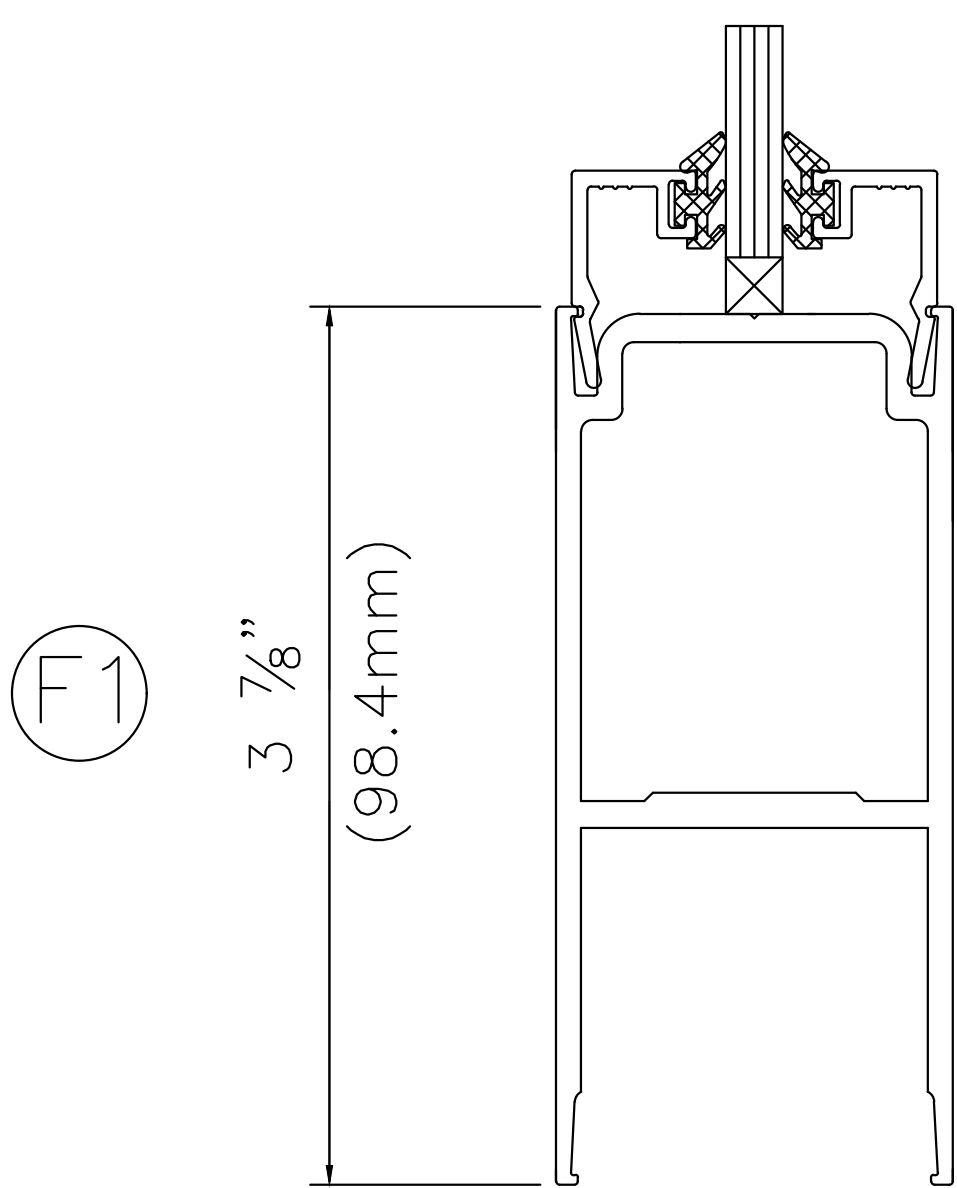
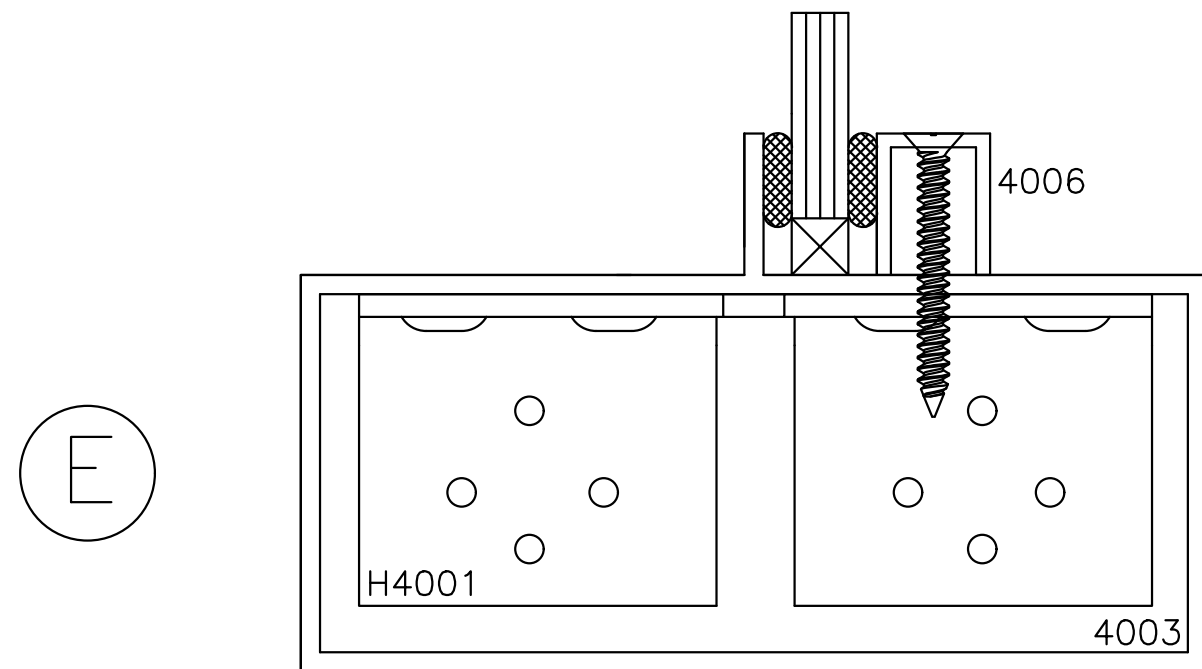
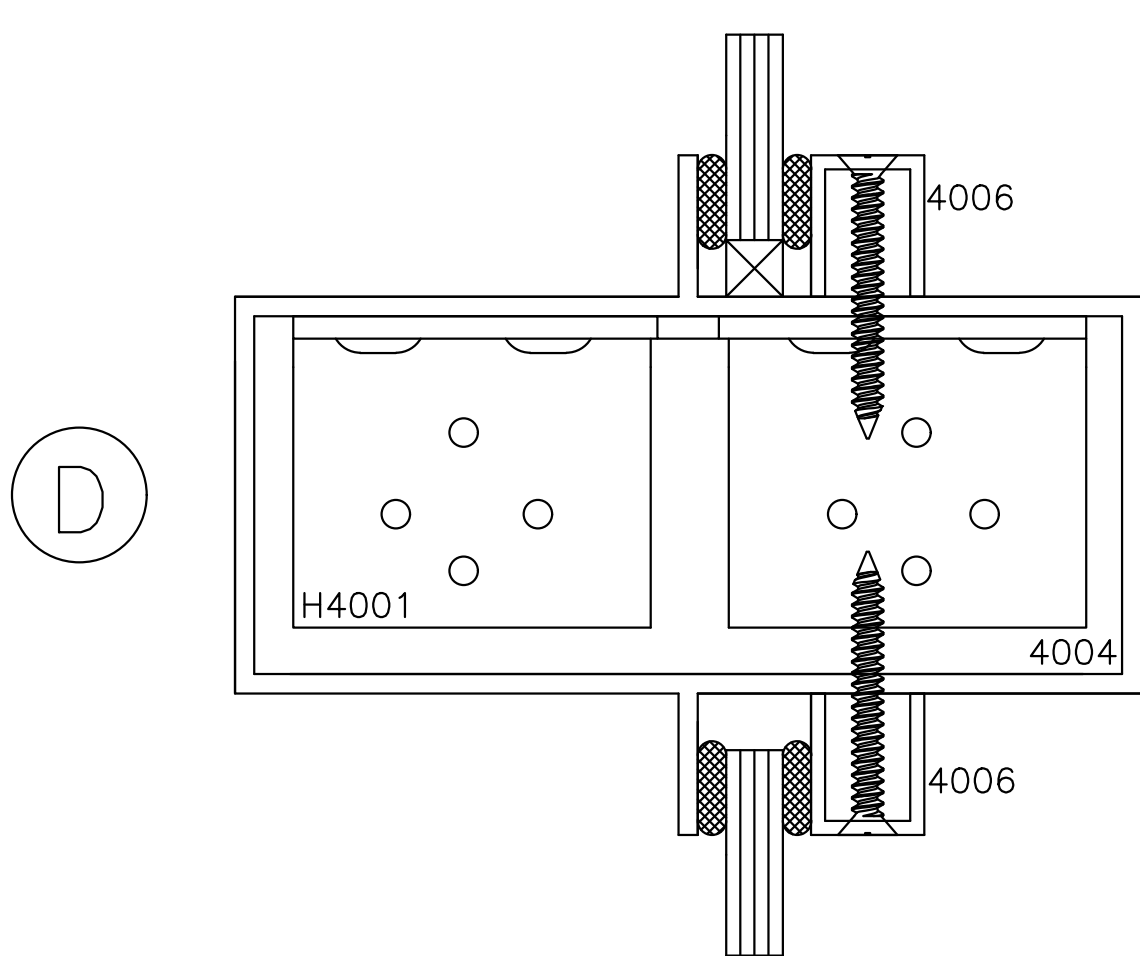
**COMMERCIAL DESIGN
SYSTEMS INC.**

DATE: AUGUST 2014
 TEL: (905) 738-0188
 FAX: (905) 738-6132
 E-MAIL: CDS2009@BELLNET.CA

PAGE:

A7

400 ENTRANCE FRAMING 210 DOOR



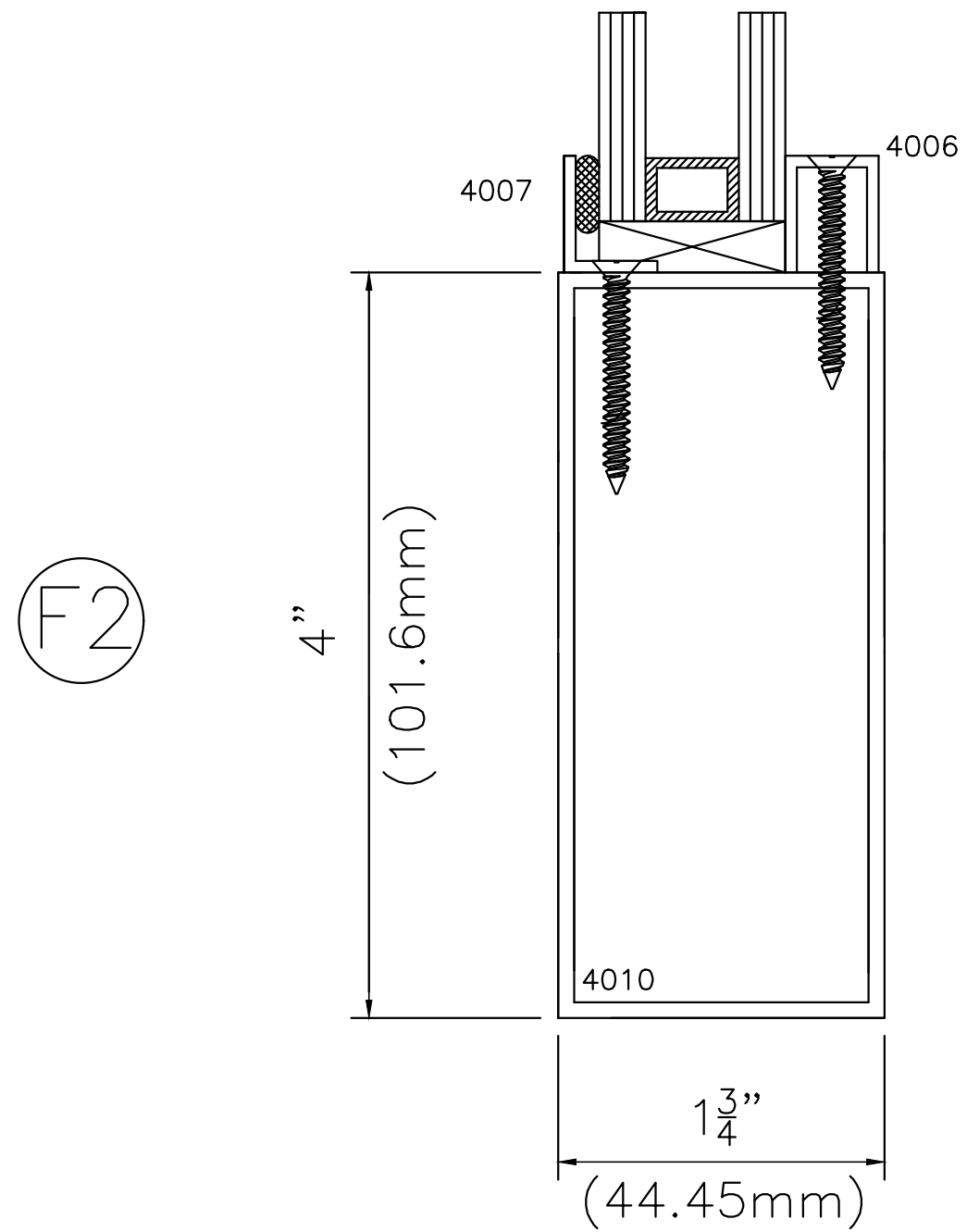
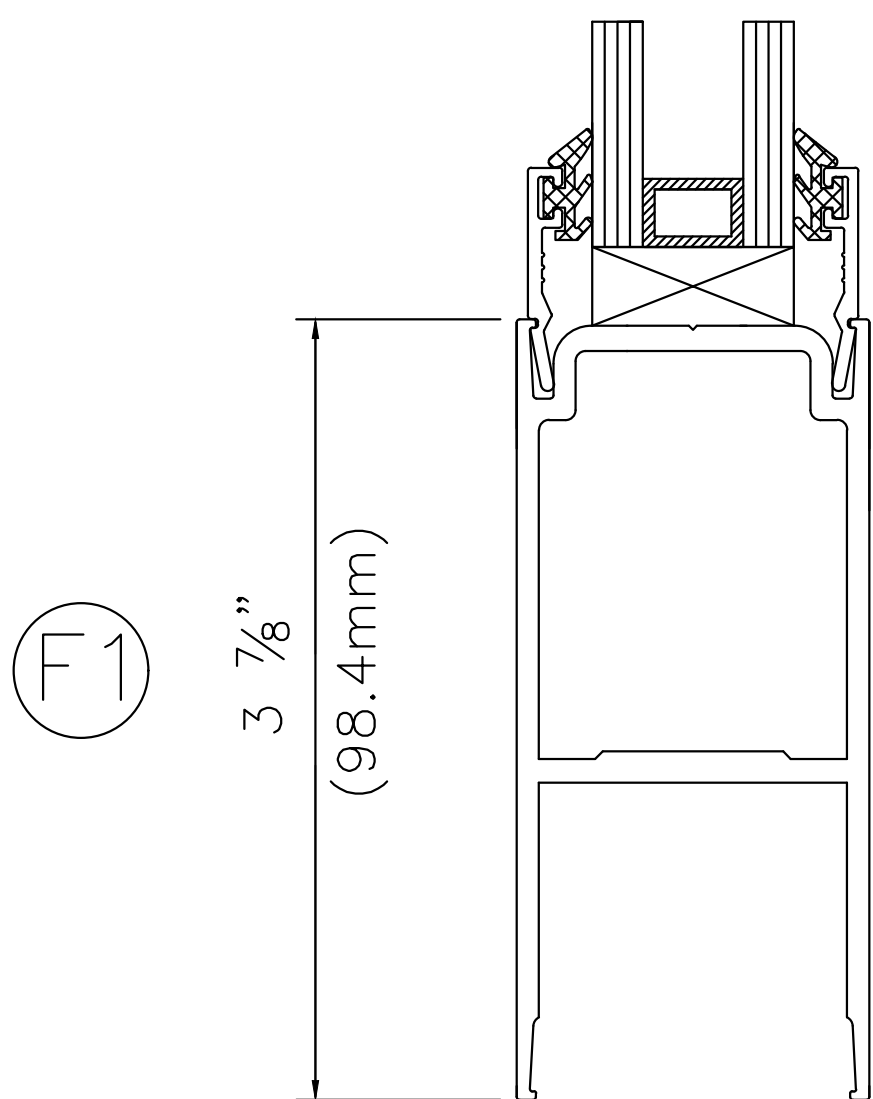
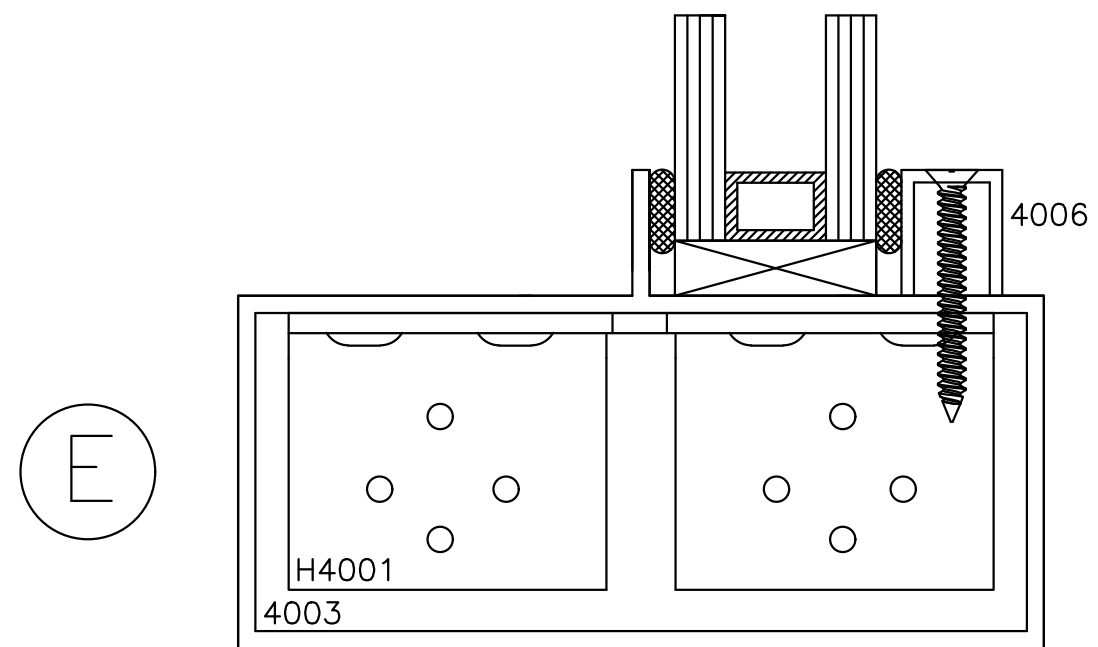
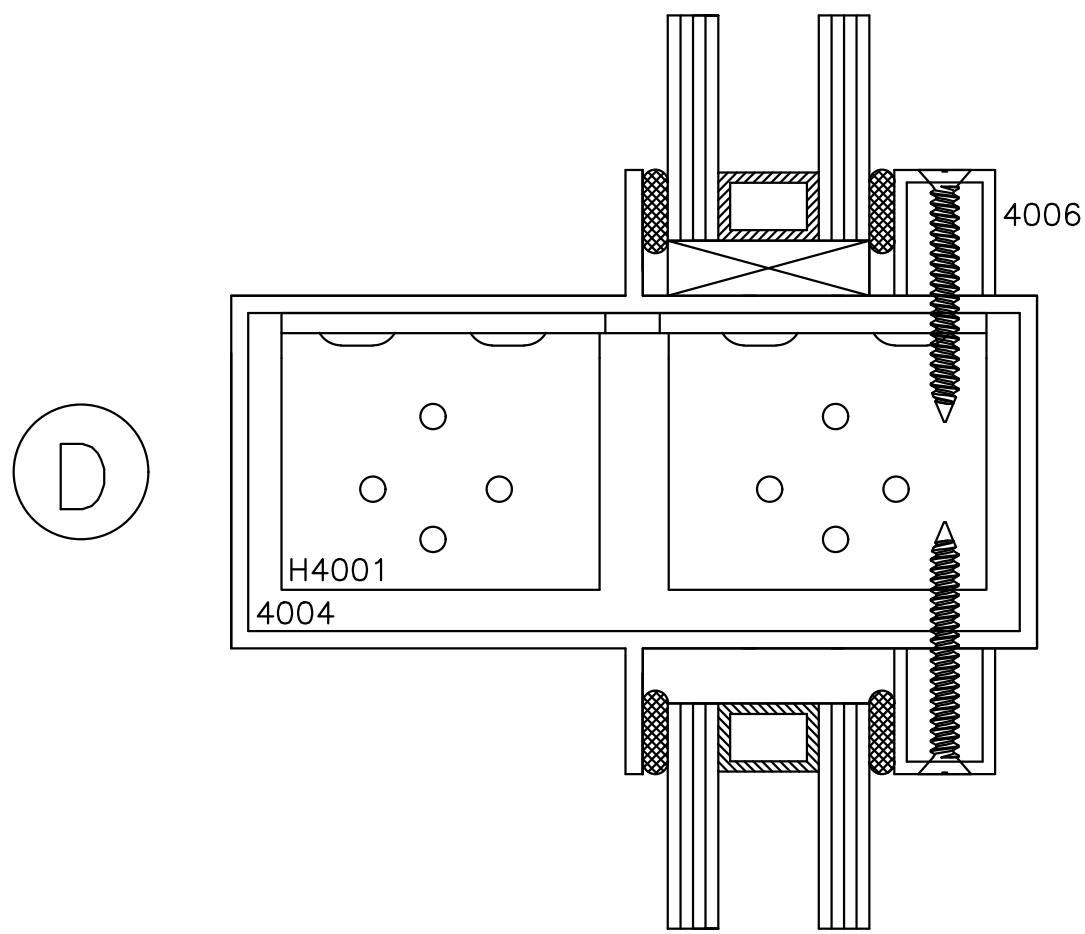
**COMMERCIAL DESIGN
SYSTEMS INC.**

DATE: AUGUST 2014
 TEL: (905) 738-0188
 FAX: (905) 738-6132
 E-MAIL: CDS2009@BELLNET.CA

PAGE:

A8

400 ENTRANCE FRAMING 210 DOOR WITH 1" GLAZING



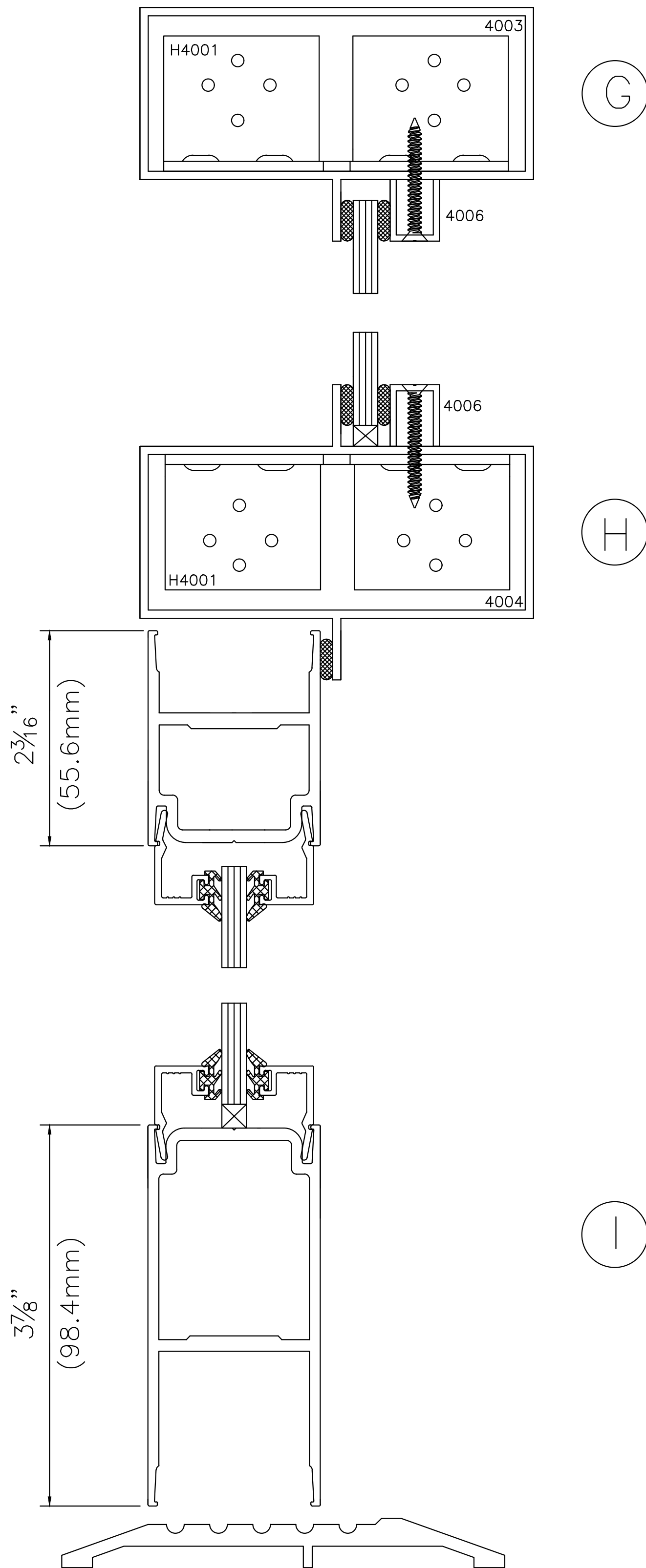
**COMMERCIAL DESIGN
SYSTEMS INC.**

DATE: AUGUST 2014
 TEL: (905) 738-0188
 FAX: (905) 738-6132
 E-MAIL: CDS2009@BELLNET.CA

PAGE:

A9

400 ENTRANCE FRAMING 210 DOOR

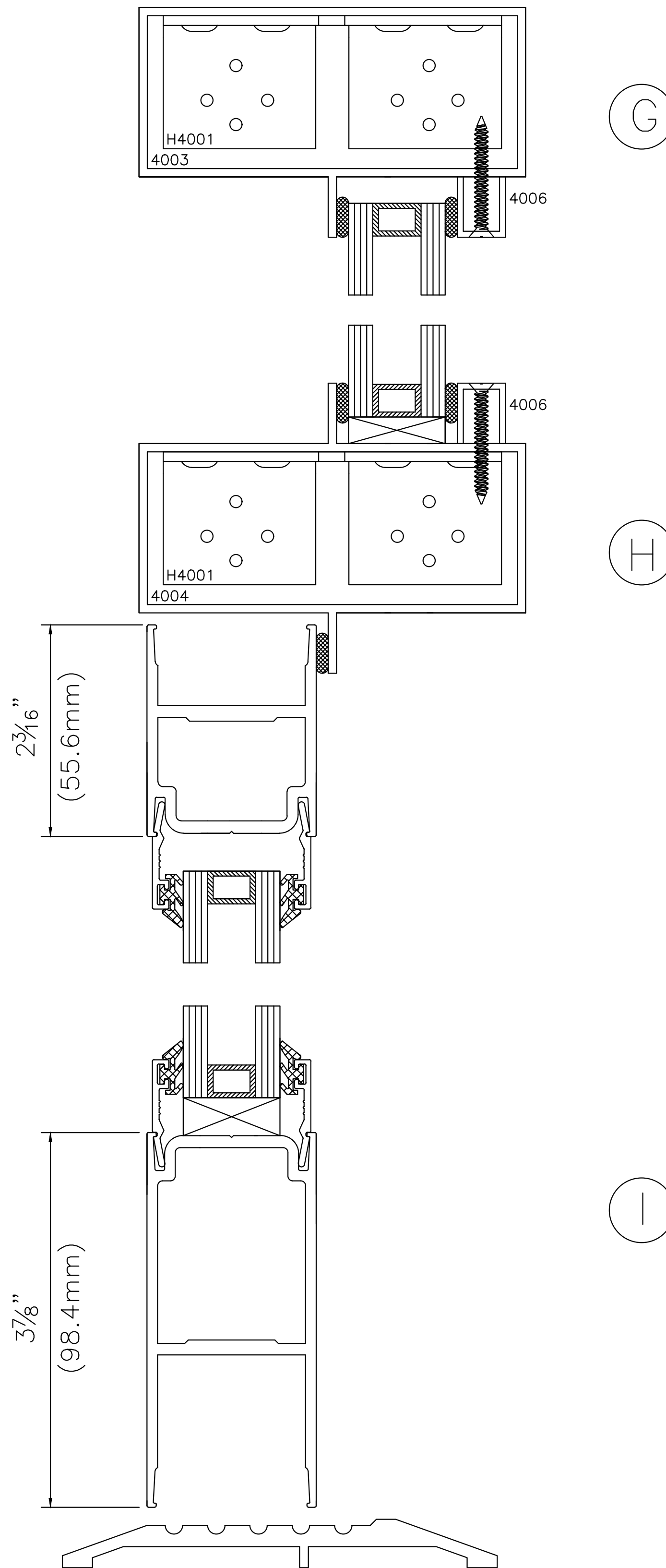


**COMMERCIAL DESIGN
SYSTEMS INC.**

DATE: AUGUST 2014
TEL: (905) 738-0188
FAX: (905) 738-6132
E-MAIL: CDS2009@BELLNET.CA

PAGE:
A10

400 ENTRANCE FRAMING 210 DOOR WITH 1" GLAZING



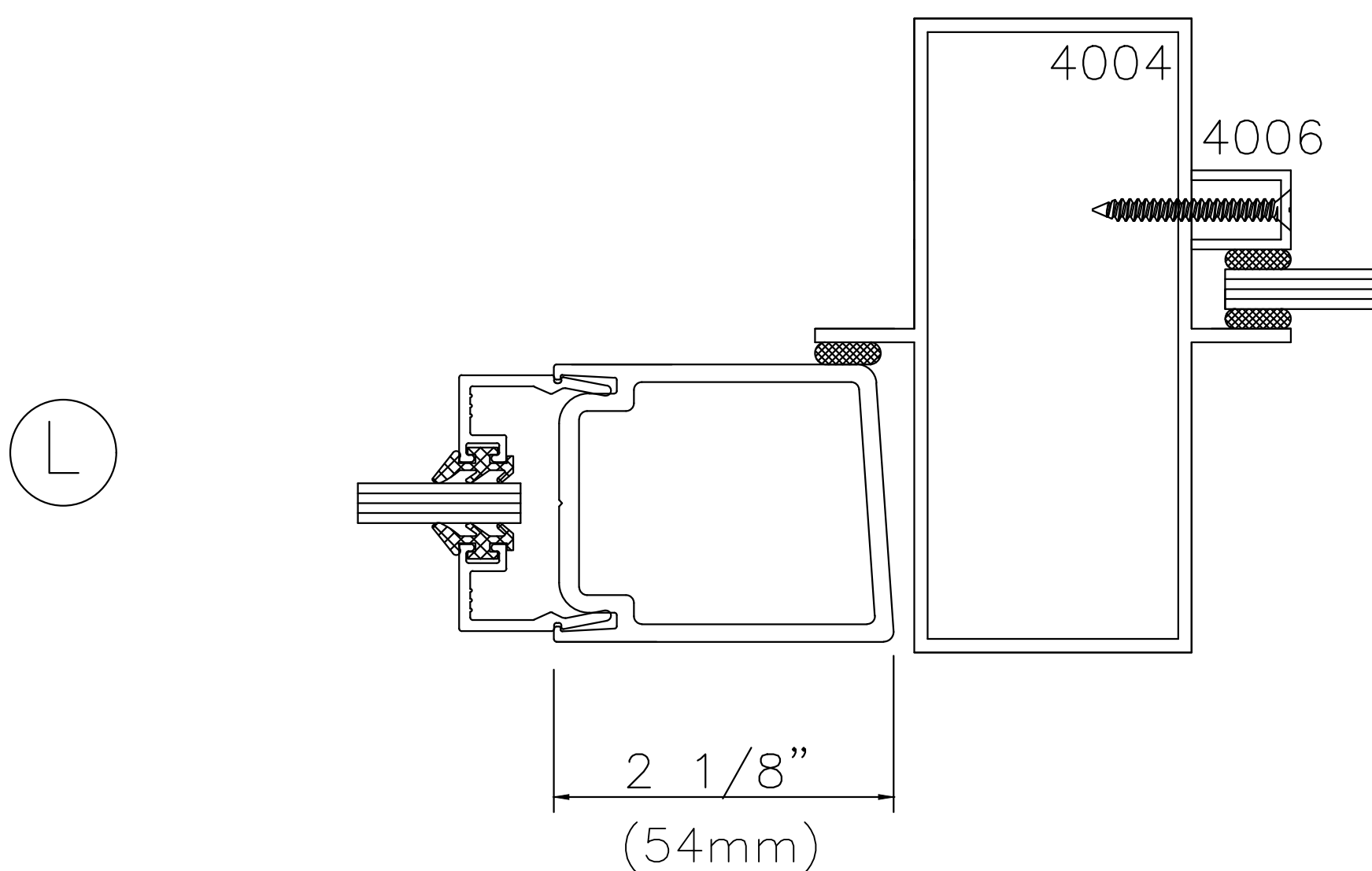
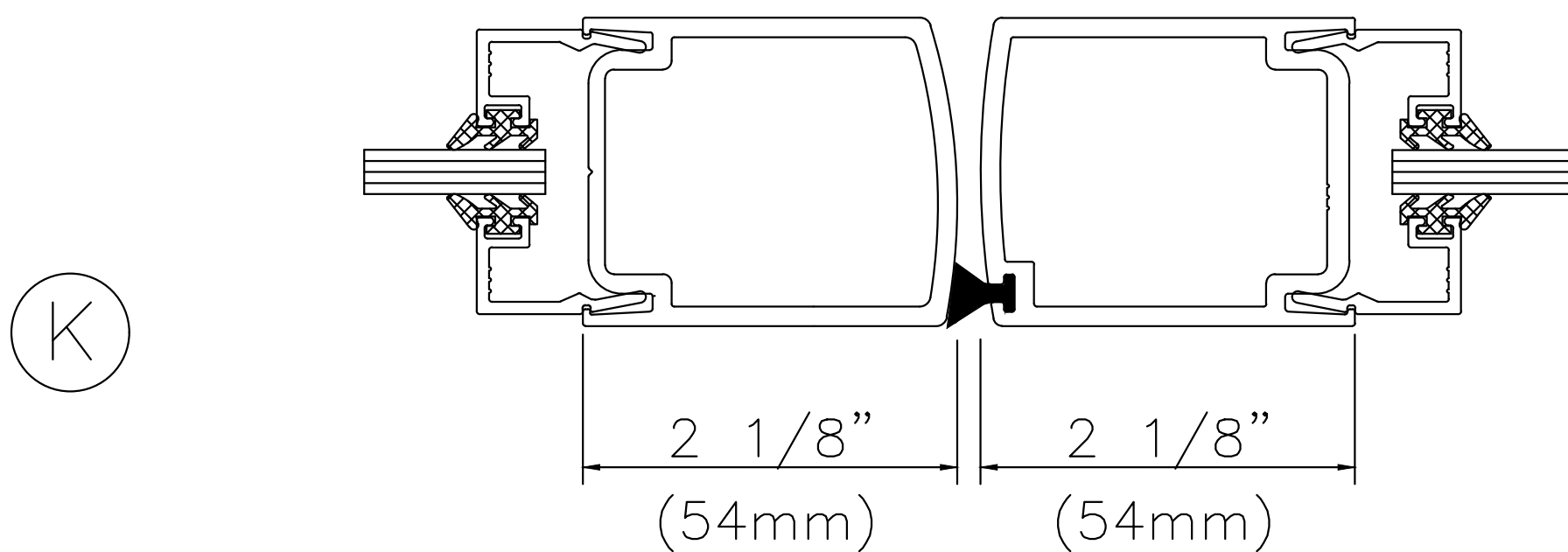
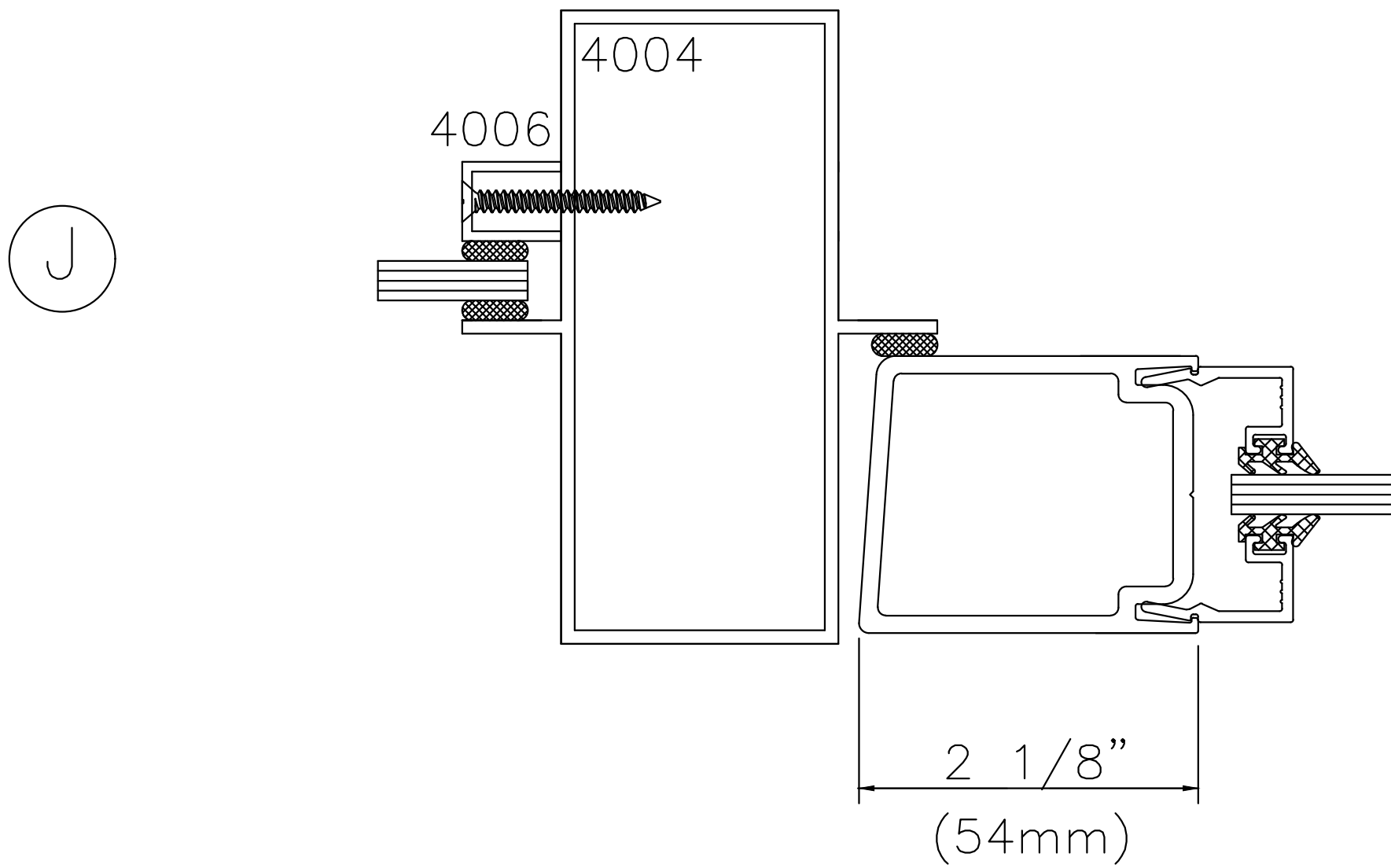
**COMMERCIAL DESIGN
SYSTEMS INC.**

DATE: AUGUST 2014
TEL: (905) 738-0188
FAX: (905) 738-6132
E-MAIL: CDS2009@BELLNET.CA

PAGE:

A11

400 ENTRANCE FRAMING 210 DOORS



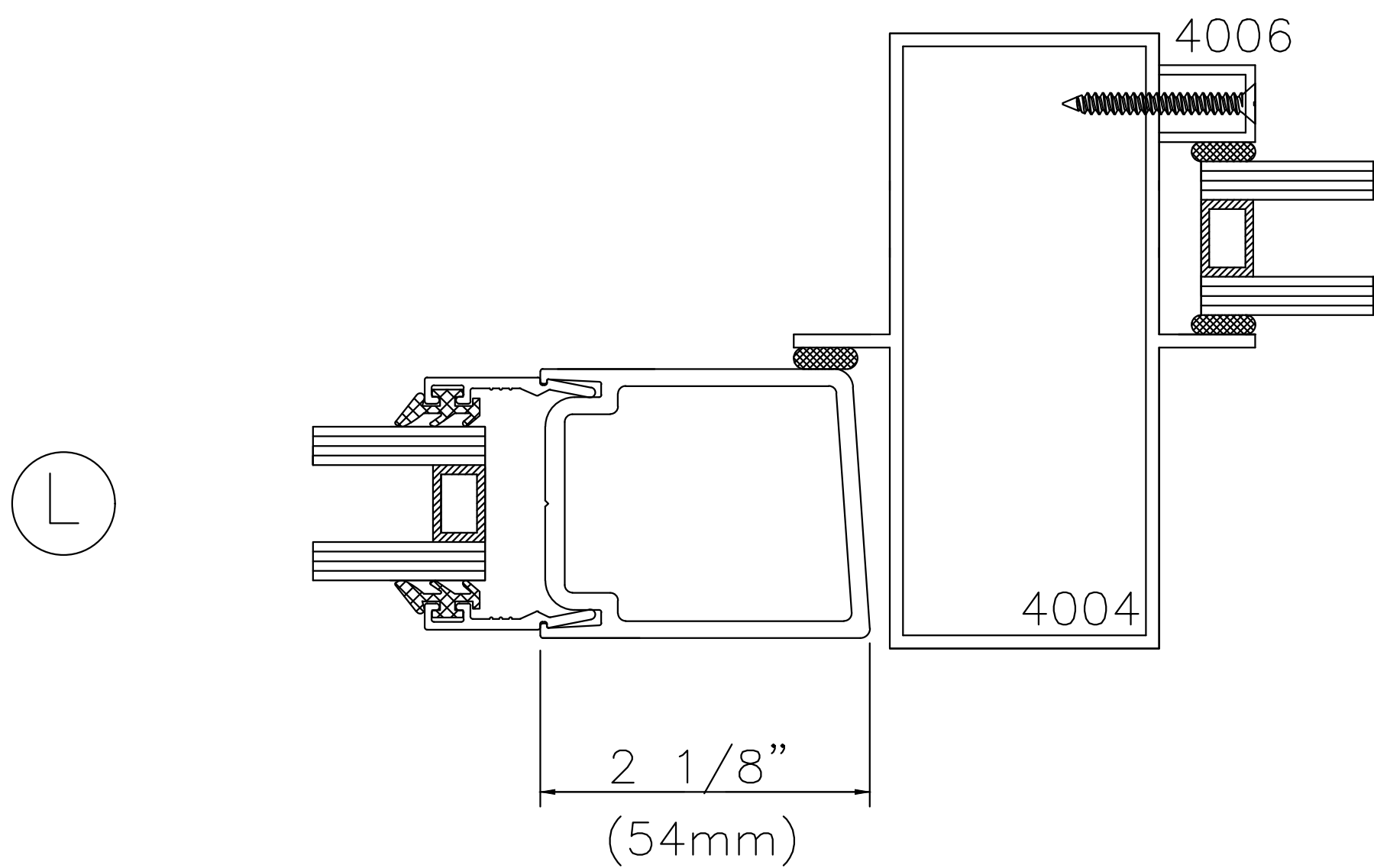
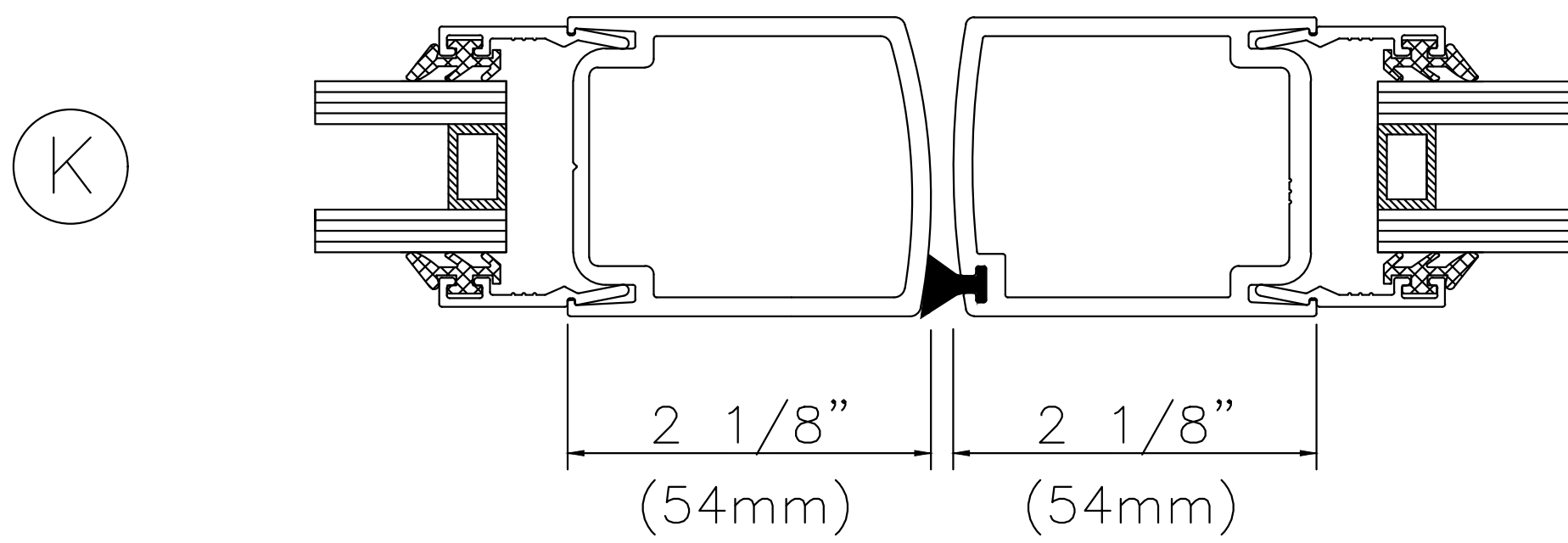
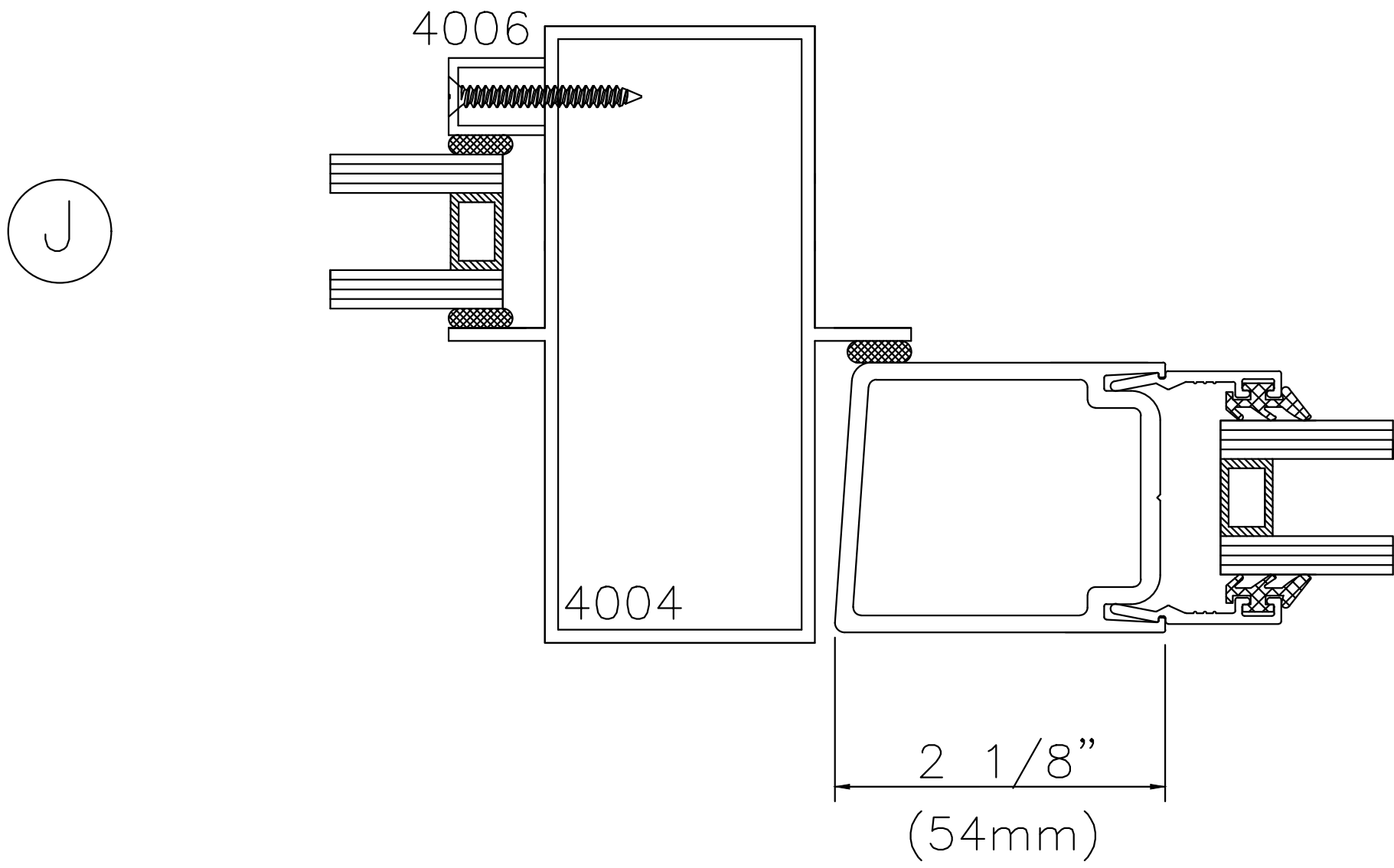
**COMMERCIAL DESIGN
SYSTEMS INC.**

DATE: AUGUST 2014
TEL: (905) 738-0188
FAX: (905) 738-6132
E-MAIL: CDS2009@BELLNET.CA

PAGE:

A12

400 ENTRANCE FRAMING 210 DOORS



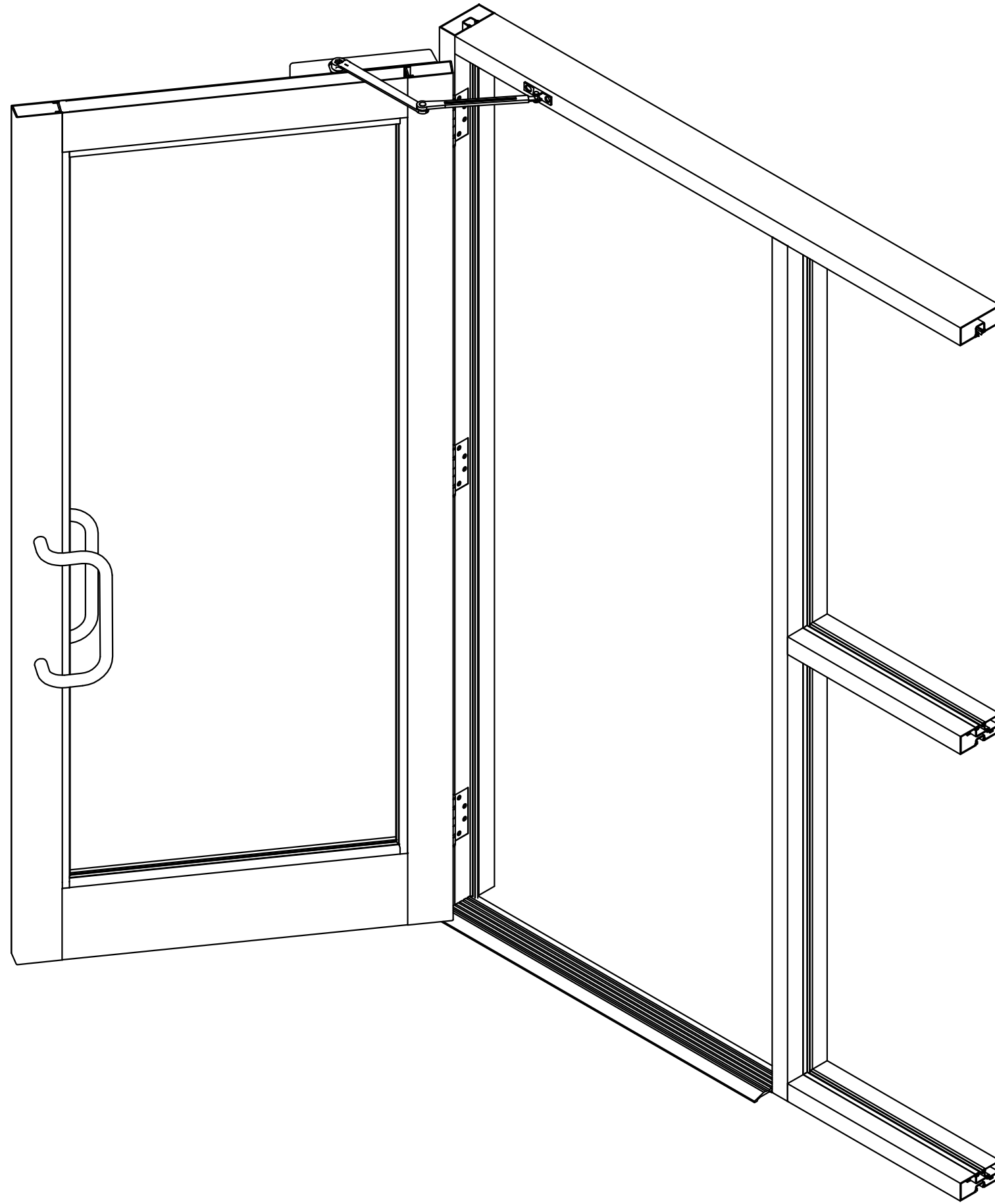
**COMMERCIAL DESIGN
SYSTEMS INC.**

DATE: AUGUST 2014
TEL: (905) 738-0188
FAX: (905) 738-6132
E-MAIL: CDS2009@BELLNET.CA

PAGE:

A13

450 ENTRANCE FRAMING INFORMATION



DESCRIPTION:

IT IS A NON-THERMALLY BROKEN SYSTEM. ENTRANCE FRAMING DIMENSIONS ARE $1 \frac{3}{4}$ " X $4 \frac{1}{2}$ ".

FINISH:

STOCKED:

CLEAR ANODIZED (#17)
STANDARD BRONZE (#40)

NON-STOCKED*:

CLEAR ANODIZED (#14)
LIGHT BRONZE (#26)
BLACK ANODIZED (#29)

*PAINT FINISHES ARE AVAILABLE UPON REQUEST

STOCK LENGTH:

24'(7.31M)

GLAZING:

450 SERIES ACCEPTS $\frac{1}{4}$ "(6mm) GLAZING UNITS



**COMMERCIAL DESIGN
SYSTEMS INC.**

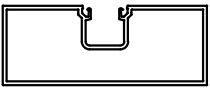
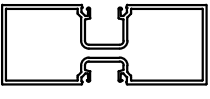
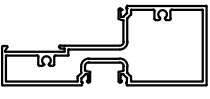
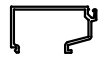
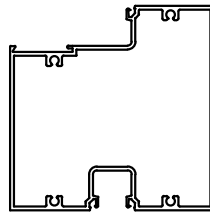
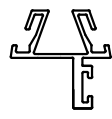
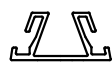
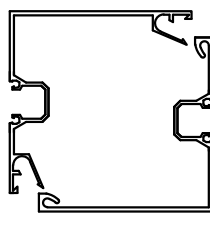


DATE: AUGUST 2014
TEL: (905) 738-0188
FAX: (905) 738-6132
E-MAIL: CDS2009@BELLNET.CA

PAGE:

B1

SERIES 450 ENTRANCE FRAMING (NON-THERMAL)

44.5MM X 114.3MM (1 $\frac{3}{4}$ " X 4 $\frac{1}{2}$ ")

PART	PART NO	DESCRIPTION	FINISH
	4502	CLOSED BACK FRAME 7.3 (24' - 0")	STOCKED CLEAR ANODIZED(2) STANDARD BRONZED ANODIZED(3)
			NOT STOCKED LIGHT BRONZED ANODIZED(5) BLACK ANODIZED(6)
	4503	DOUBLE POCKET MULLION 7.3 (24' - 0")	STOCKED CLEAR ANODIZED(2) STANDARD BRONZED ANODIZED(3)
			NOT STOCKED LIGHT BRONZED ANODIZED(5) BLACK ANODIZED(6)
	4504	HORIZONTAL 7.3 (24' - 0")	STOCKED CLEAR ANODIZED(2) STANDARD BRONZED ANODIZED(3)
			NOT STOCKED LIGHT BRONZED ANODIZED(5) BLACK ANODIZED(6)
	4505	SQUARE SNAP-IN GLASS STOP 7.3 (24' - 0")	STOCKED CLEAR ANODIZED(2) STANDARD BRONZED ANODIZED(3)
			NOT STOCKED LIGHT BRONZED ANODIZED(5) BLACK ANODIZED(6)
	4508	FLUSH GLAZING HORIZONTAL SILL 7.3 (24' - 0")	STOCKED CLEAR ANODIZED(2) STANDARD BRONZED ANODIZED(3)
			NOT STOCKED LIGHT BRONZED ANODIZED(5) BLACK ANODIZED(6)
	4510	BLADE DOOR STOP 7.3 (24' - 0")	STOCKED CLEAR ANODIZED(2) STANDARD BRONZED ANODIZED(3)
			NOT STOCKED LIGHT BRONZED ANODIZED(5) BLACK ANODIZED(6)
	4511	SNAP-IN FLAT FILLER 7.3 (24' - 0")	STOCKED CLEAR ANODIZED(2) STANDARD BRONZED ANODIZED(3)
			NOT STOCKED LIGHT BRONZED ANODIZED(5) BLACK ANODIZED(6)
	4512	FEMALE HALF CORNER MULLION 7.3 (24' - 0")	STOCKED CLEAR ANODIZED(2) STANDARD BRONZED ANODIZED(3)
	4513	MALE HALF CORNER MULLION 7.3 (24' - 0")	NOT STOCKED LIGHT BRONZED ANODIZED(5) BLACK ANODIZED(6)
	4514	1 $\frac{3}{4}$ " X 4 $\frac{1}{2}$ " PLAIN TUBE 7.3 (24' - 0")	STOCKED CLEAR ANODIZED(2) STANDARD BRONZED ANODIZED(3)
			NOT STOCKED LIGHT BRONZED ANODIZED(5) BLACK ANODIZED(6)
	4516	1 $\frac{3}{4}$ " X 6" PLAIN TUBE 7.3 (24' - 0")	STOCKED CLEAR ANODIZED(2) STANDARD BRONZED ANODIZED(3)
			NOT STOCKED LIGHT BRONZED ANODIZED(5) BLACK ANODIZED(6)



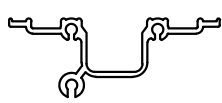

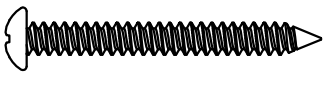


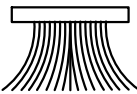
**COMMERCIAL DESIGN
SYSTEMS INC.**

DATE: AUGUST 2014
 TEL: (905) 738-0188
 FAX: (905) 738-6132
 E-MAIL: CDS2009@BELLNET.CA

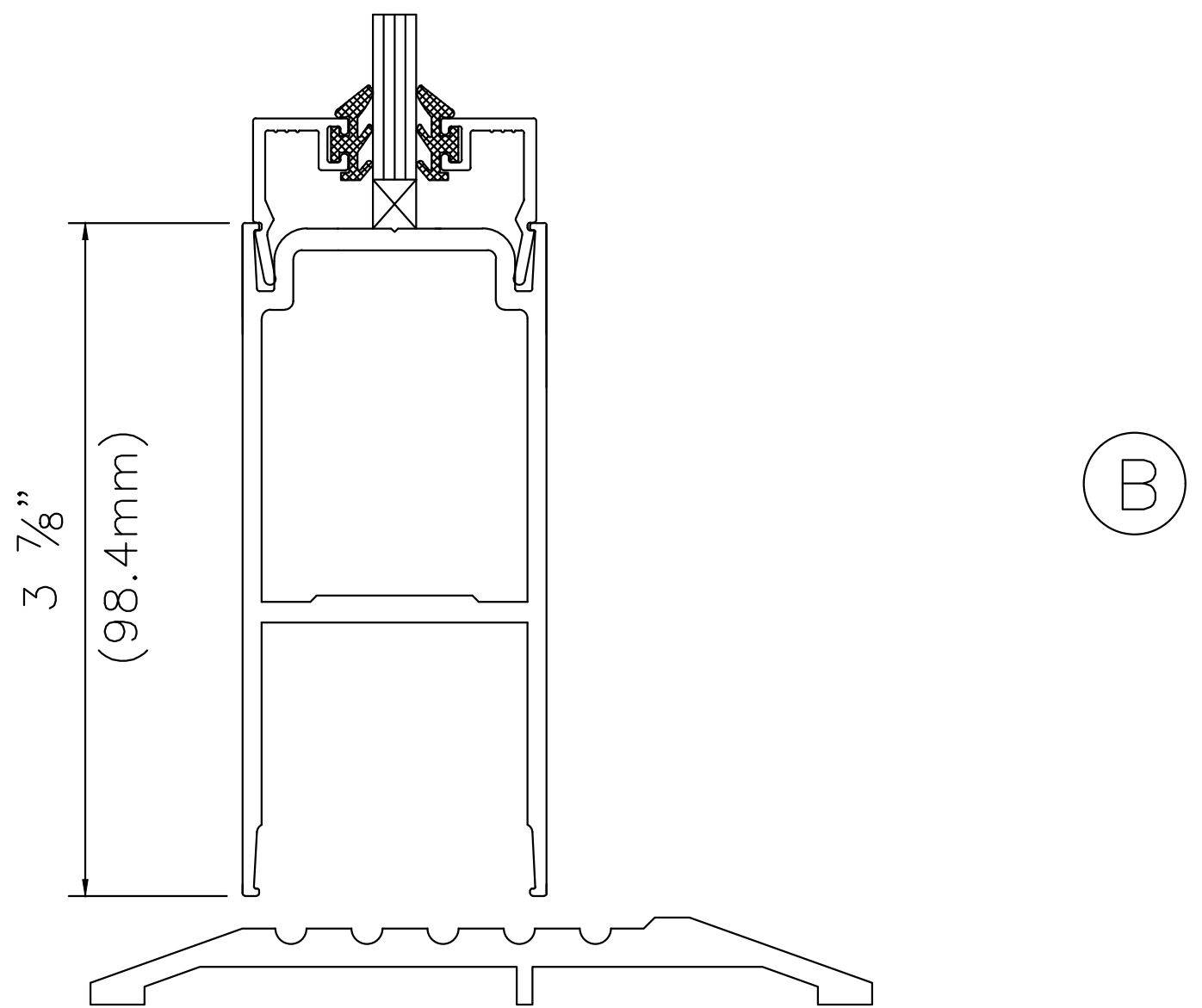
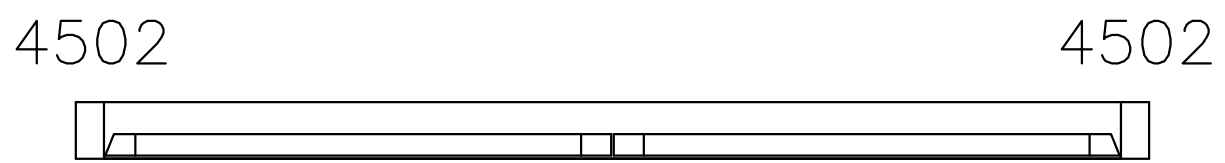
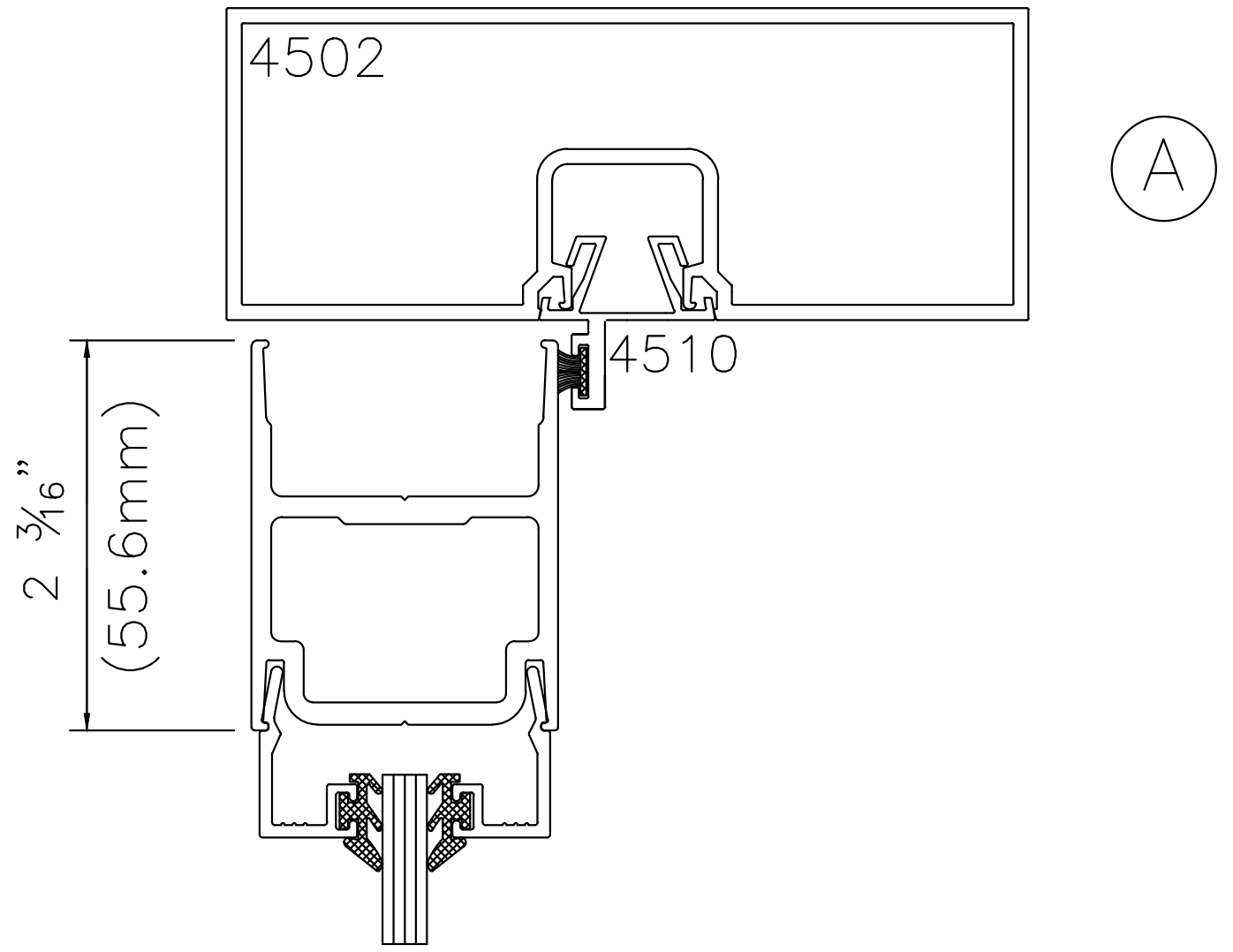
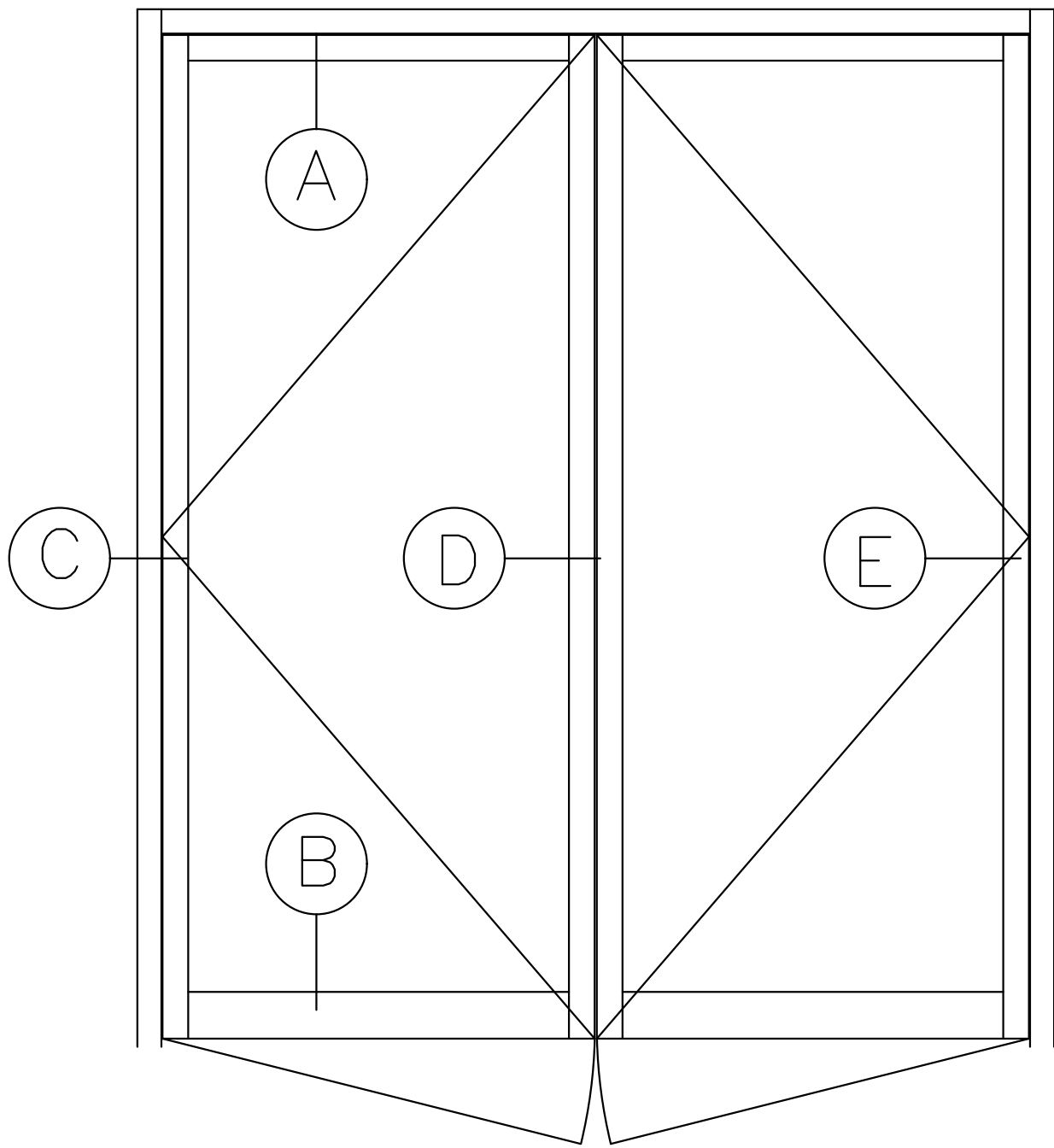
PAGE:

B2

SERIES 450 ENTRANCE FRAMING (NON-THERMAL)
44.5MM X 114.3MM (1 $\frac{3}{4}$ " X 4 $\frac{1}{2}$ ")

PART	PART NO	DESCRIPTION	FINISH
	H4501	MULLION SHEAR BLOCK	STOCKED MILL ONLY
	H4502	SILL SHEAR BLOCK	STOCKED MILL ONLY
		PAN HEAD PHILLIPS SCREW #10 X 1 $\frac{3}{4}$ "	
		FLAT HEAD SQUARE SCREW 10-24 X $\frac{5}{8}$ "	
	R4502	GLAZING SPLINE FOR 1"(25.4MM) IMOT 500'	
	R4527	WEATHERSTRIP 1500'	

450 ENTRANCE FRAMING (1 $\frac{3}{4}$ "X4 $\frac{1}{2}$ ") WITH STANDARD DOOR



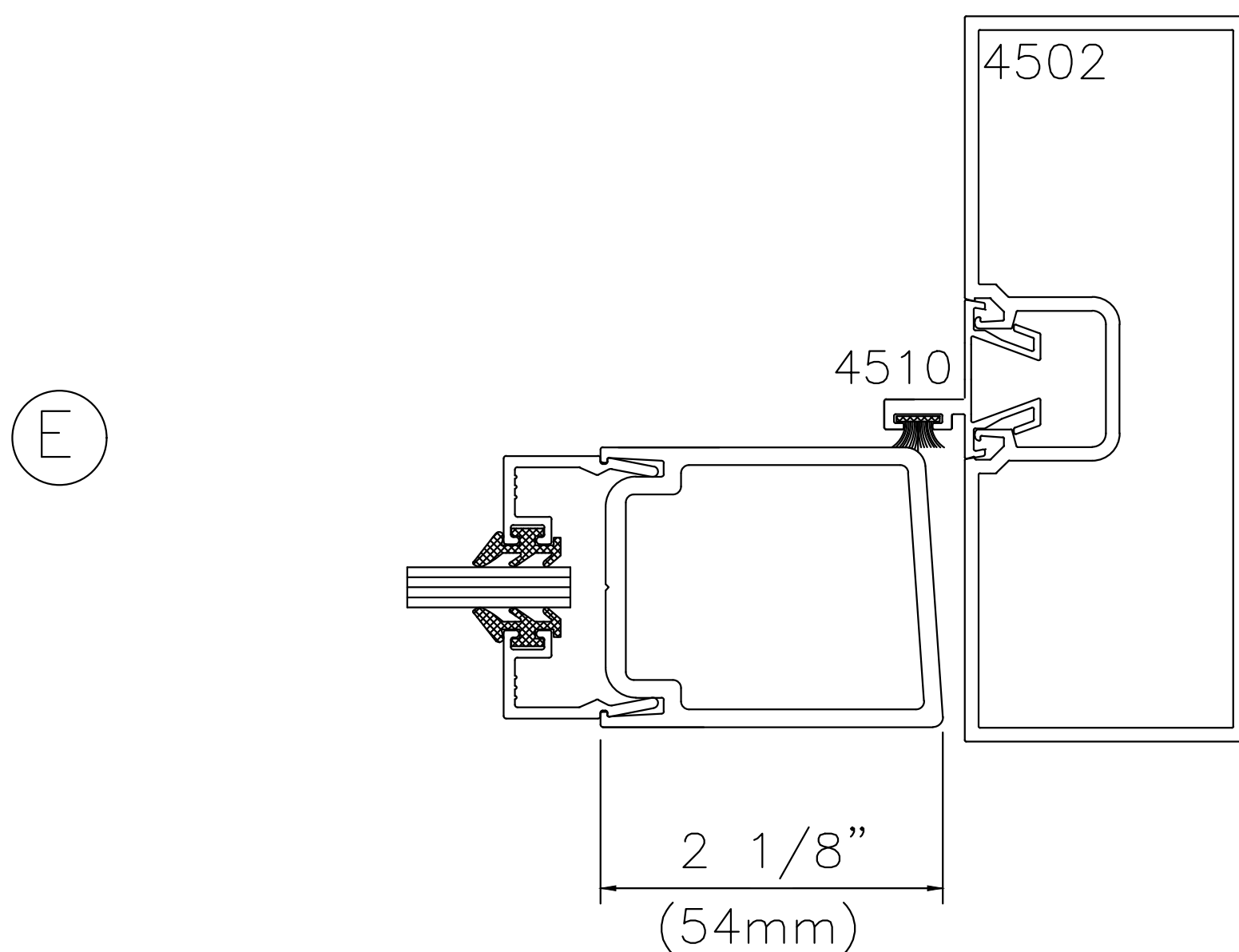
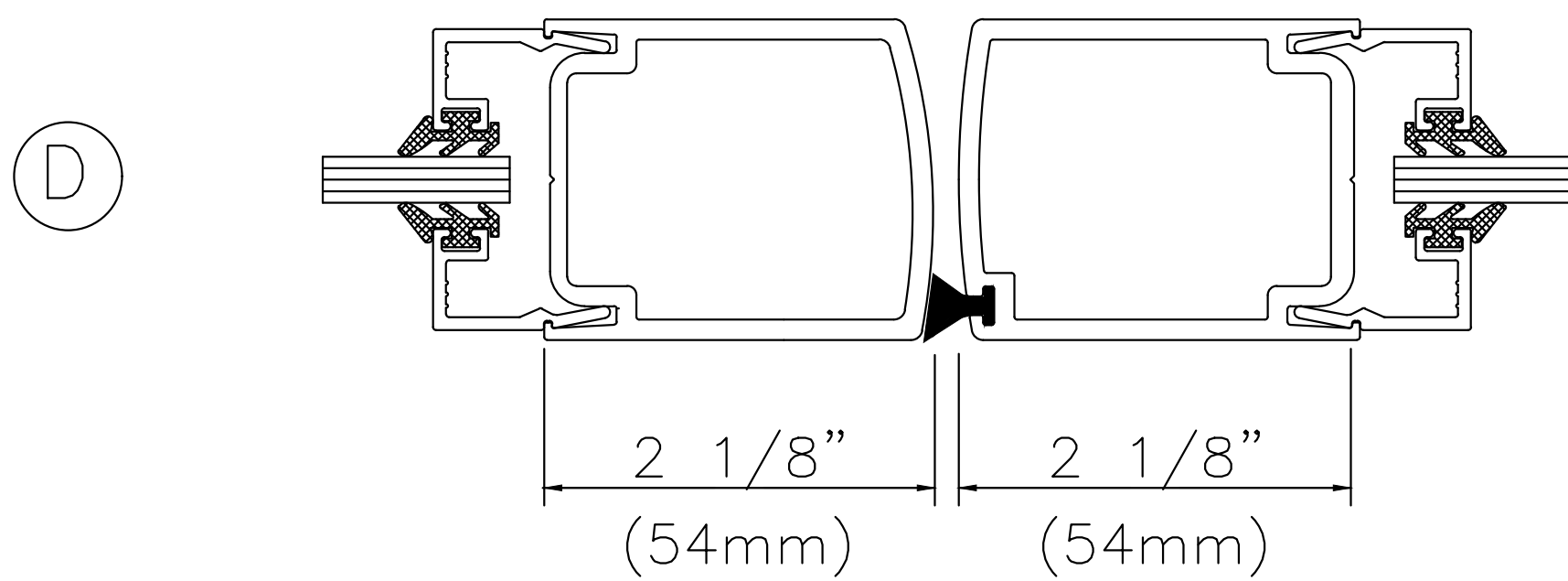
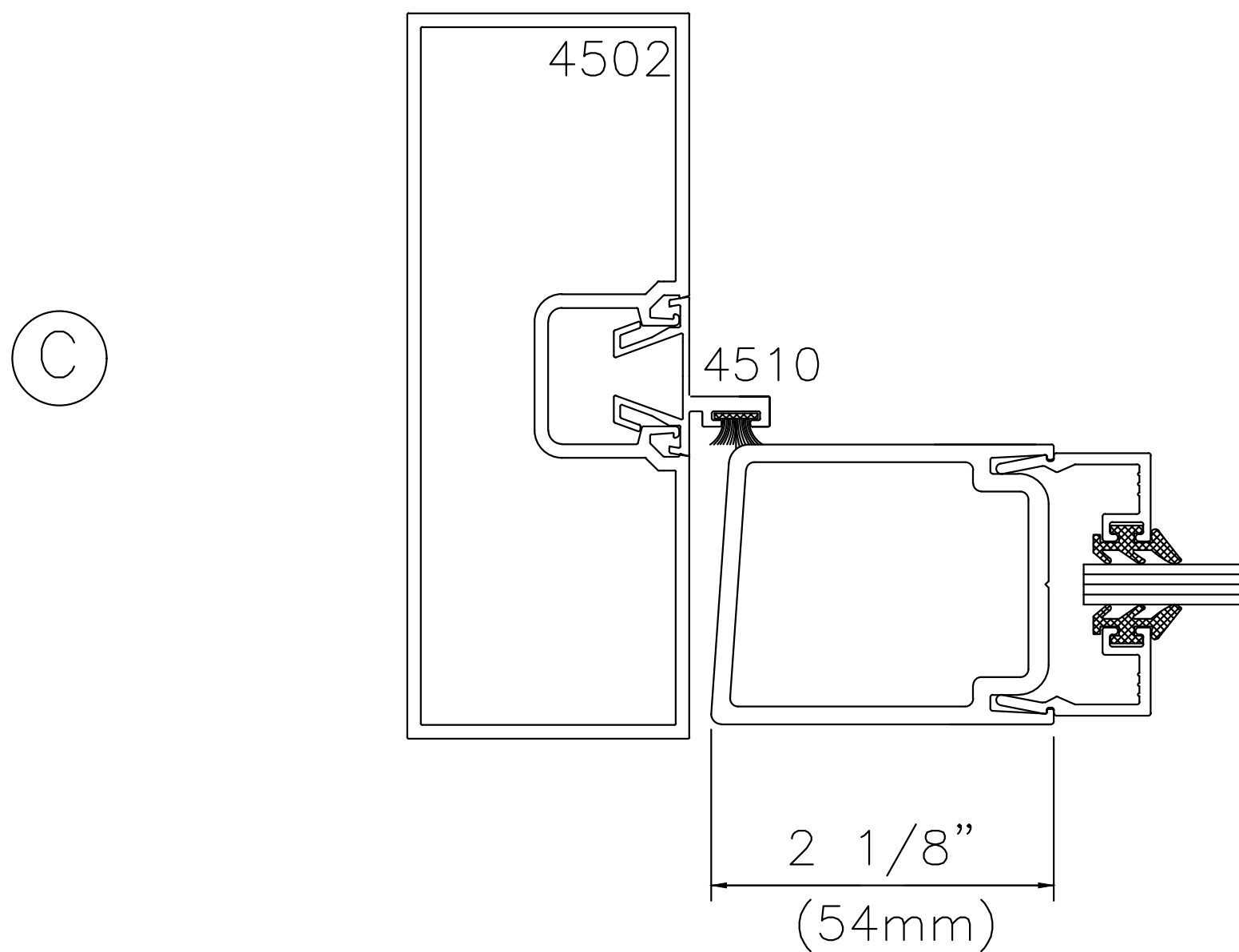
**COMMERCIAL DESIGN
SYSTEMS INC.**

DATE: AUGUST 2014
 TEL: (905) 738-0188
 FAX: (905) 738-6132
 E-MAIL: CDS2009@BELLNET.CA

PAGE:

B4

450 ENTRANCE FRAMING (1 $\frac{3}{4}$ "X4 $\frac{1}{2}$ ") WITH STANDARD DOOR



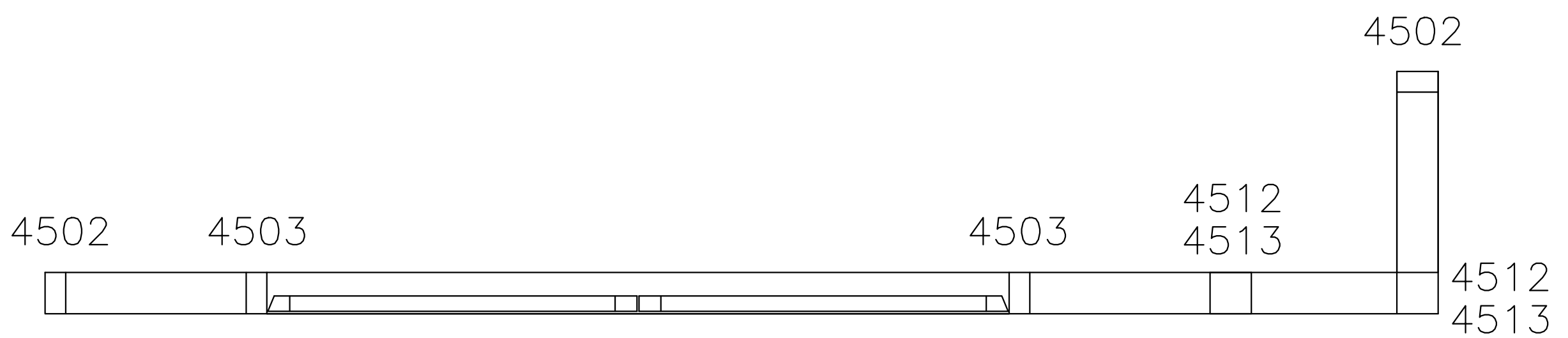
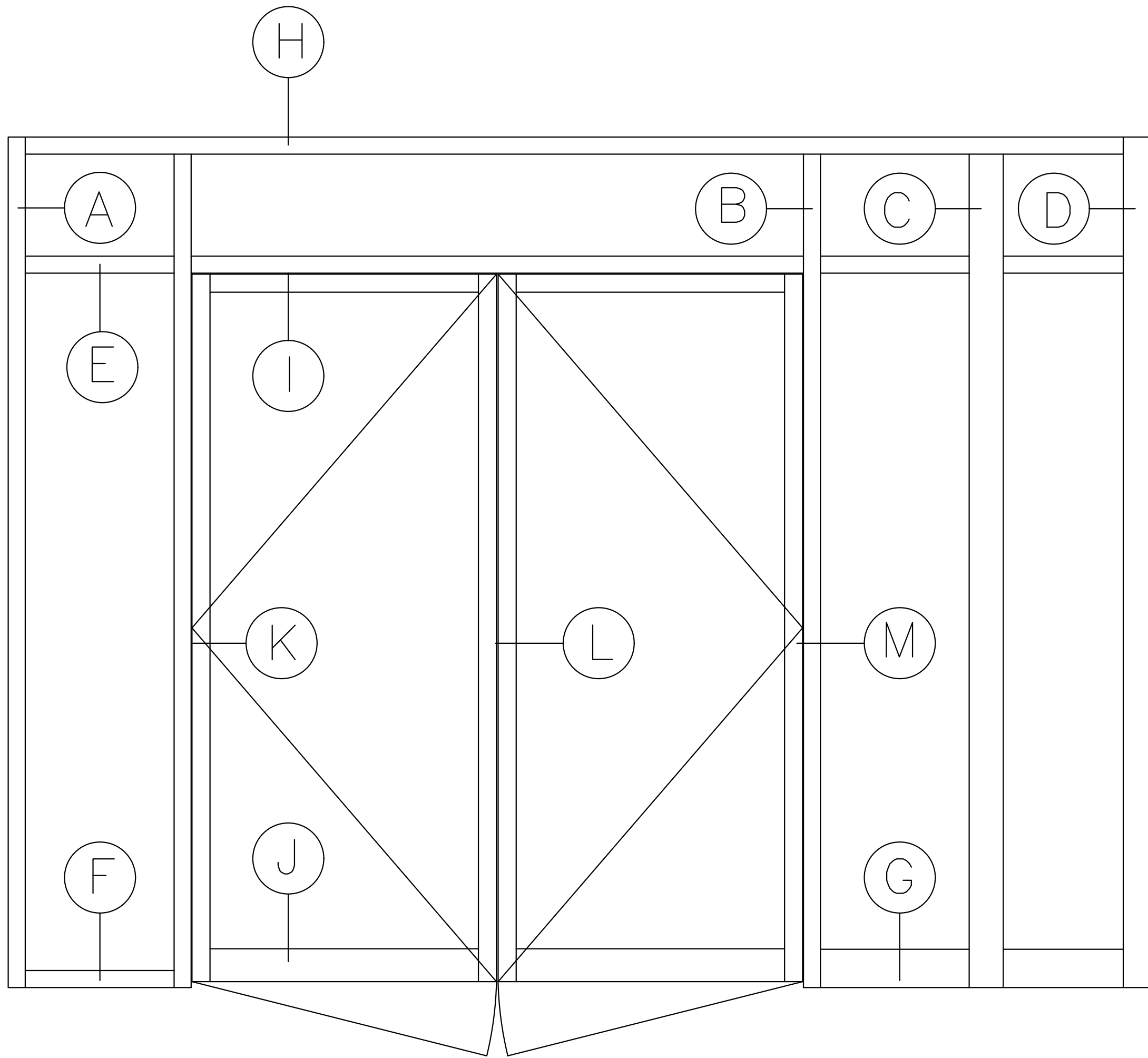
**COMMERCIAL DESIGN
SYSTEMS INC.**

DATE: AUGUST 2014
TEL: (905) 738-0188
FAX: (905) 738-6132
E-MAIL: CDS2009@BELLNET.CA

PAGE:

B5

450 SERIES ENTRANCE FRAMING



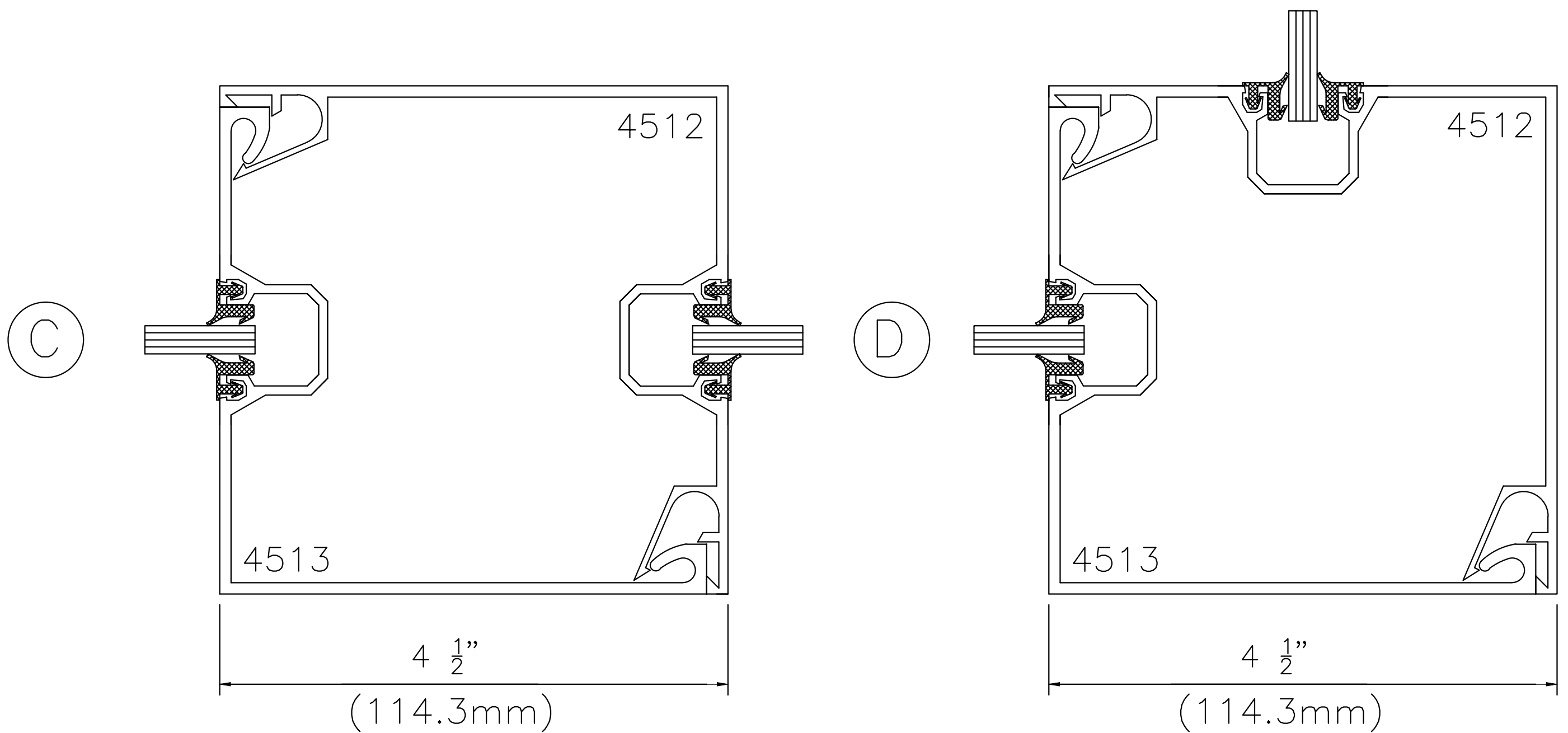
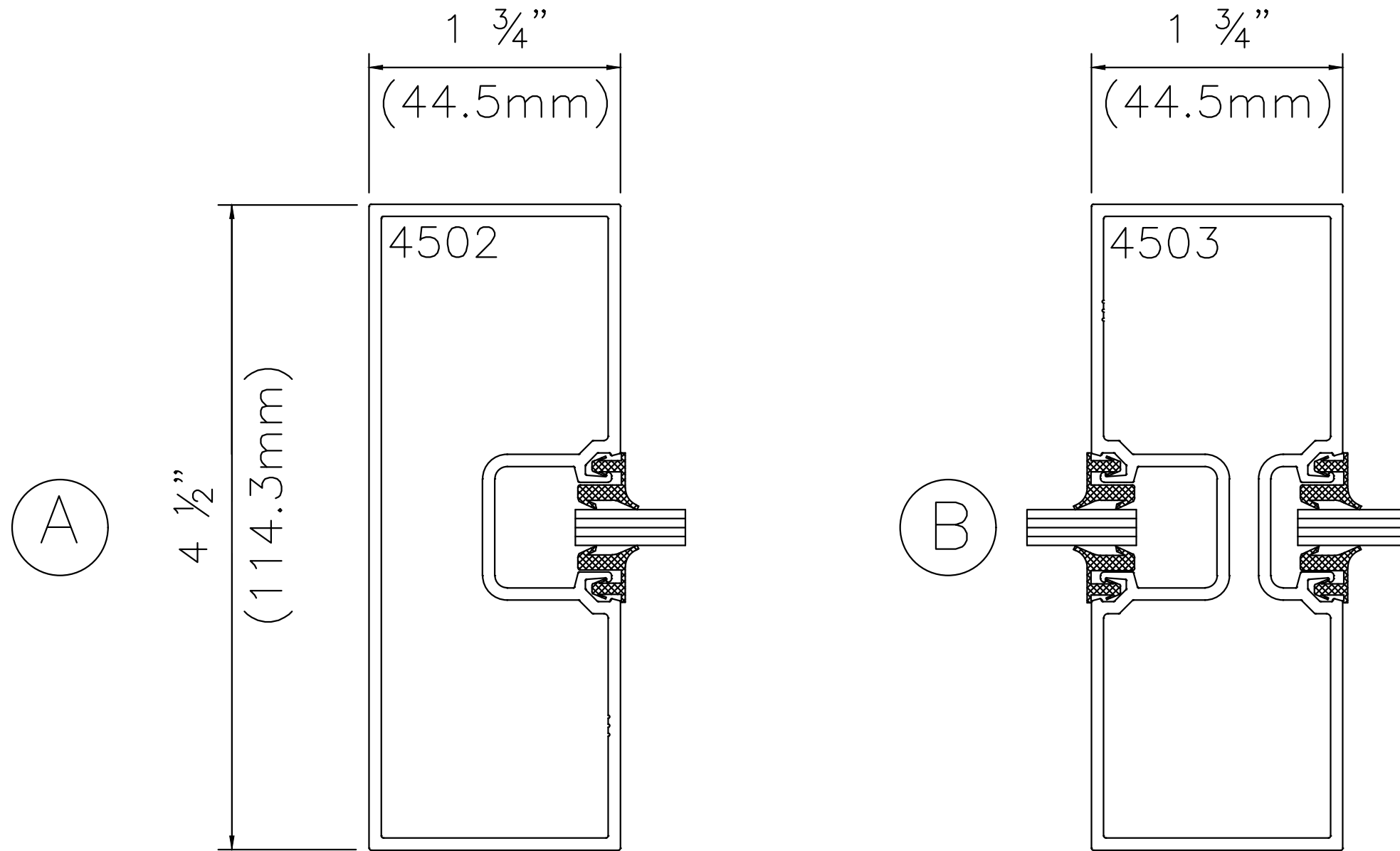
**COMMERCIAL DESIGN
SYSTEMS INC.**

DATE: AUGUST 2014
 TEL: (905) 738-0188
 FAX: (905) 738-6132
 E-MAIL: CDS2009@BELLNET.CA

PAGE:

B6

450 SERIES ENTRANCE FRAMING



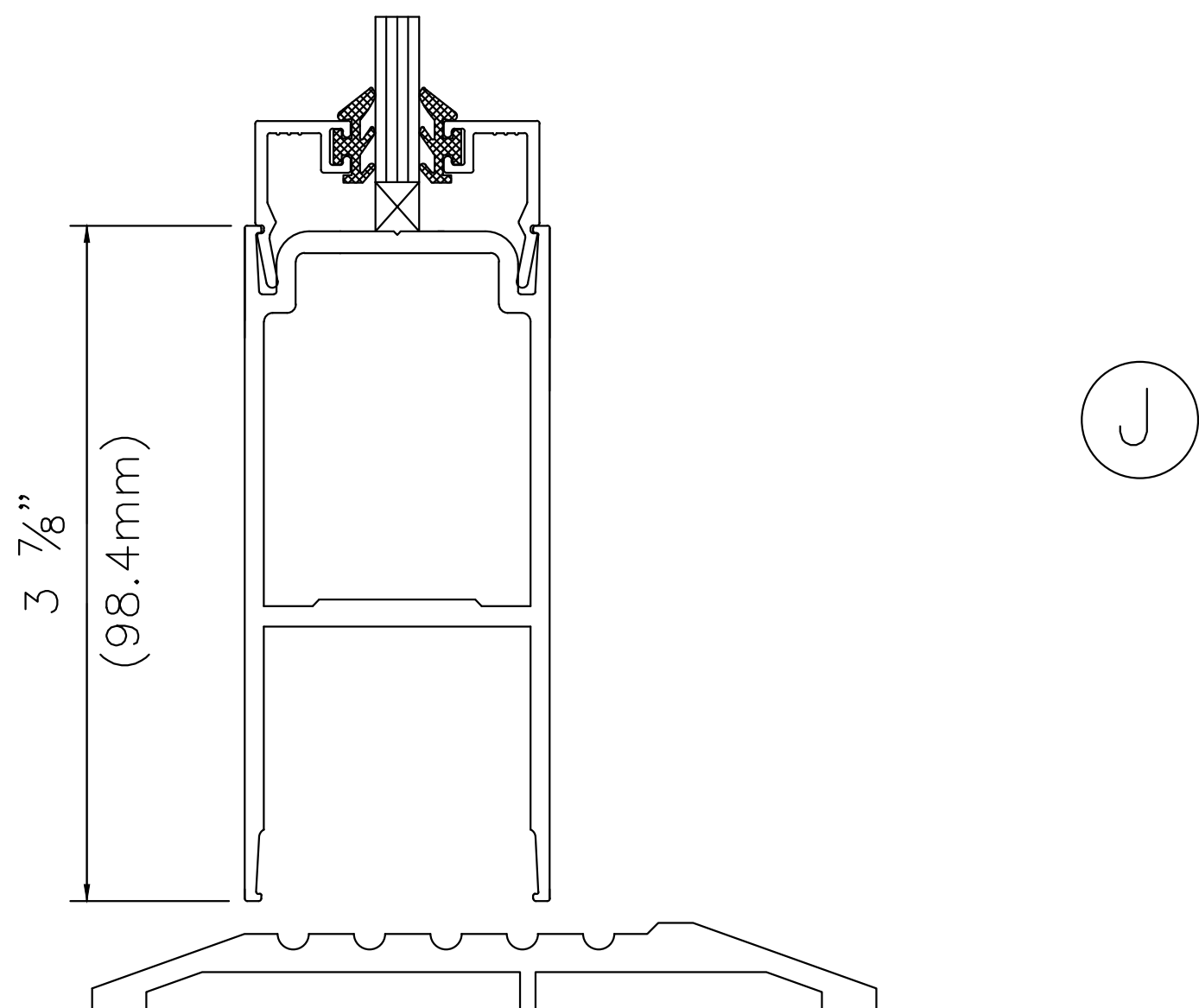
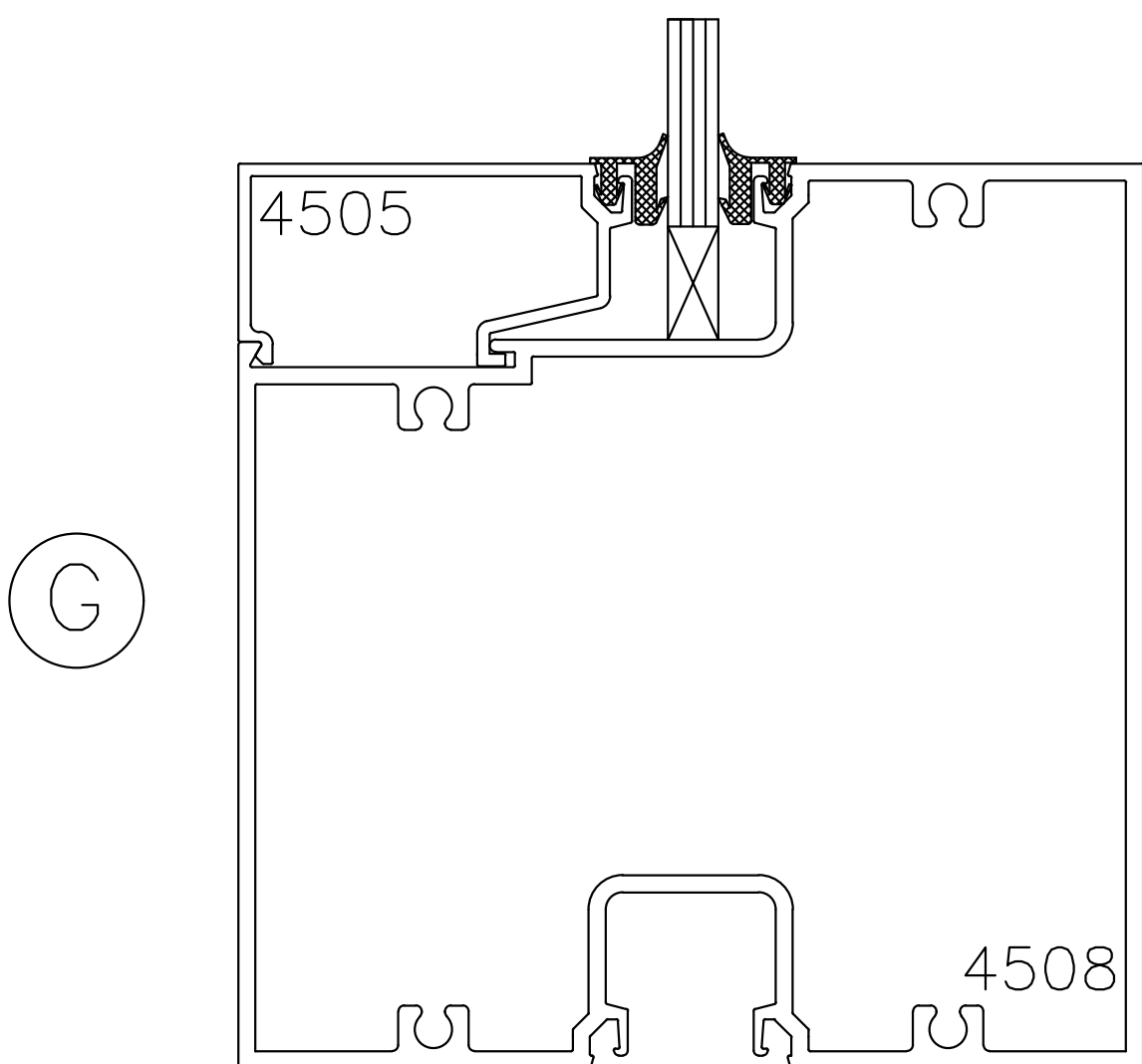
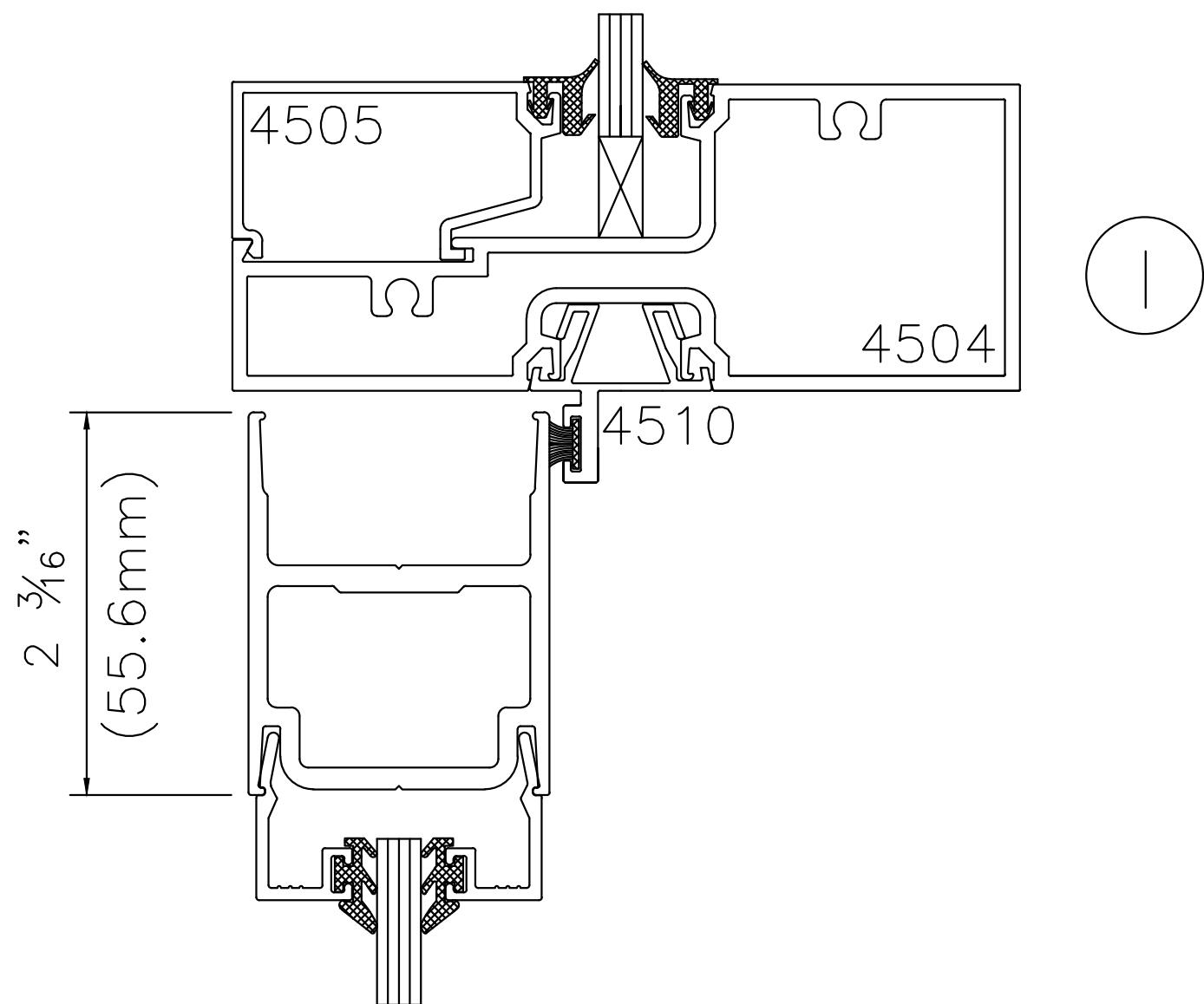
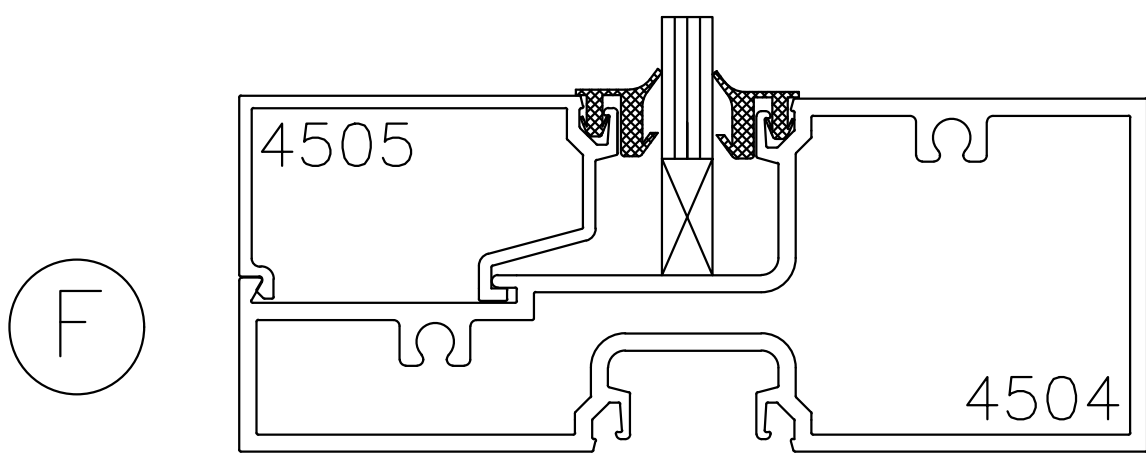
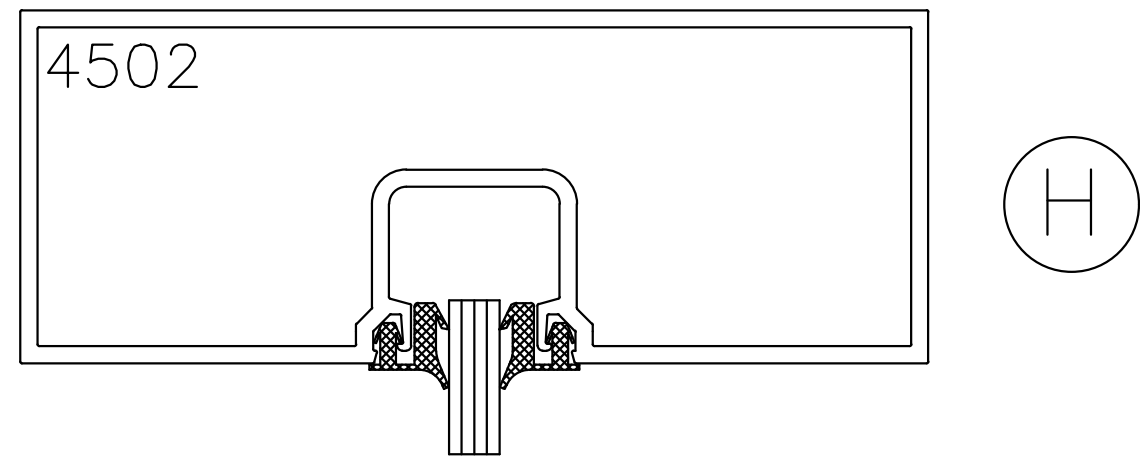
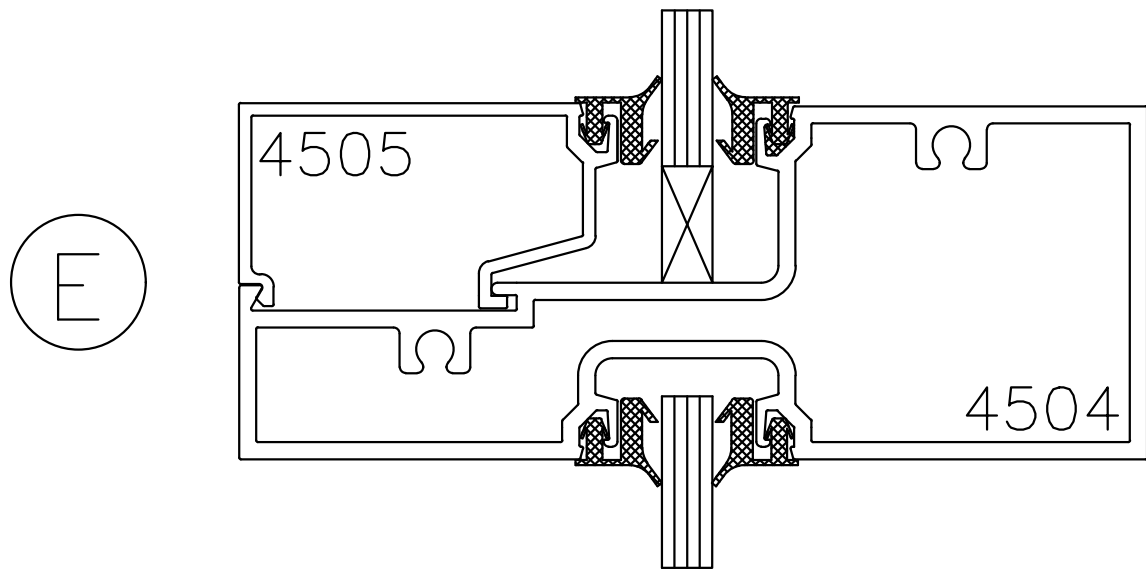
**COMMERCIAL DESIGN
SYSTEMS INC.**

DATE: AUGUST 2014
 TEL: (905) 738-0188
 FAX: (905) 738-6132
 E-MAIL: CDS2009@BELLNET.CA

PAGE:

B7

450 ENTRANCE FRAMING 210 DOORS



**COMMERCIAL DESIGN
SYSTEMS INC.**

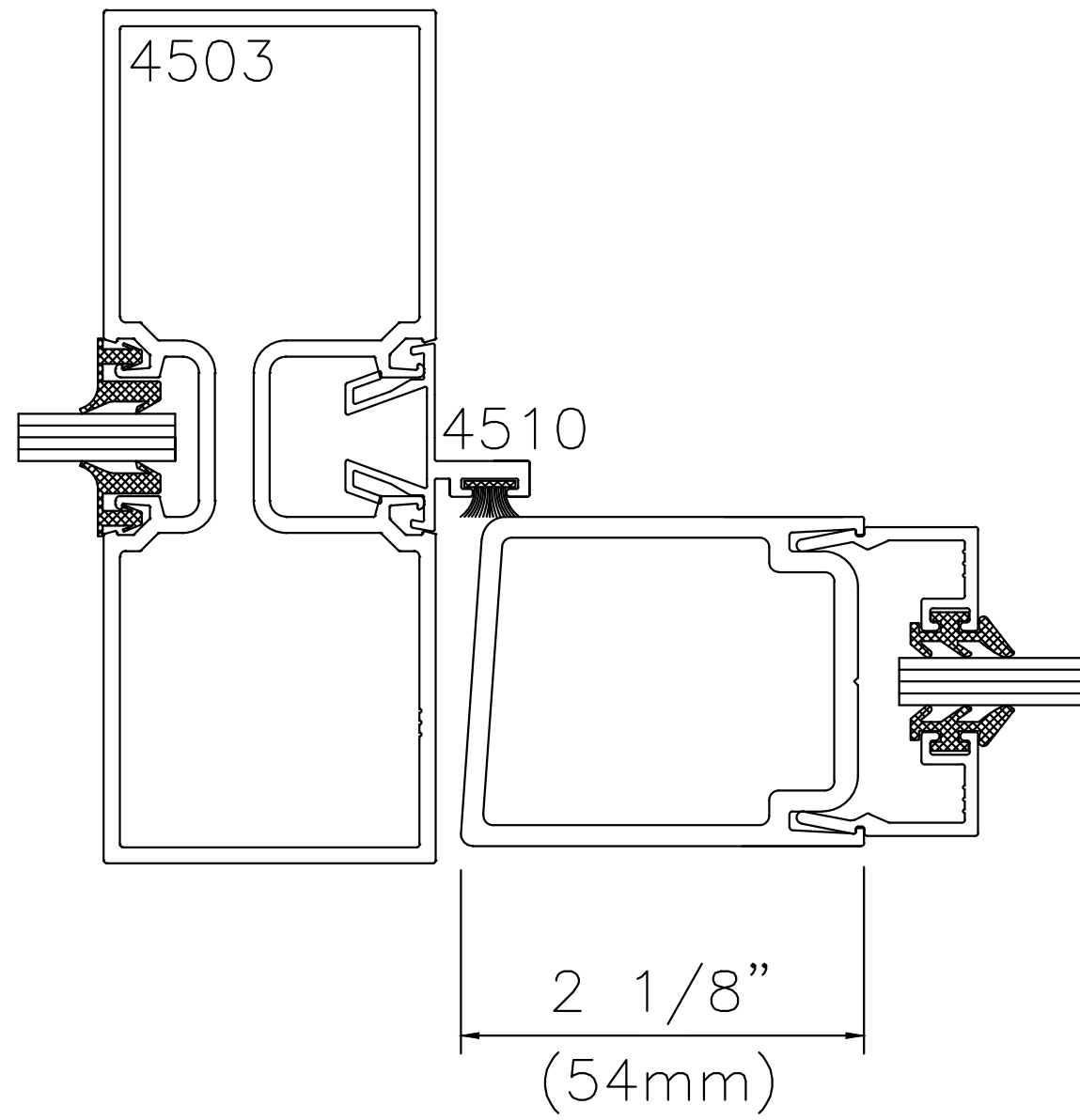
DATE: AUGUST 2014
 TEL: (905) 738-0188
 FAX: (905) 738-6132
 E-MAIL: CDS2009@BELLNET.CA

PAGE:

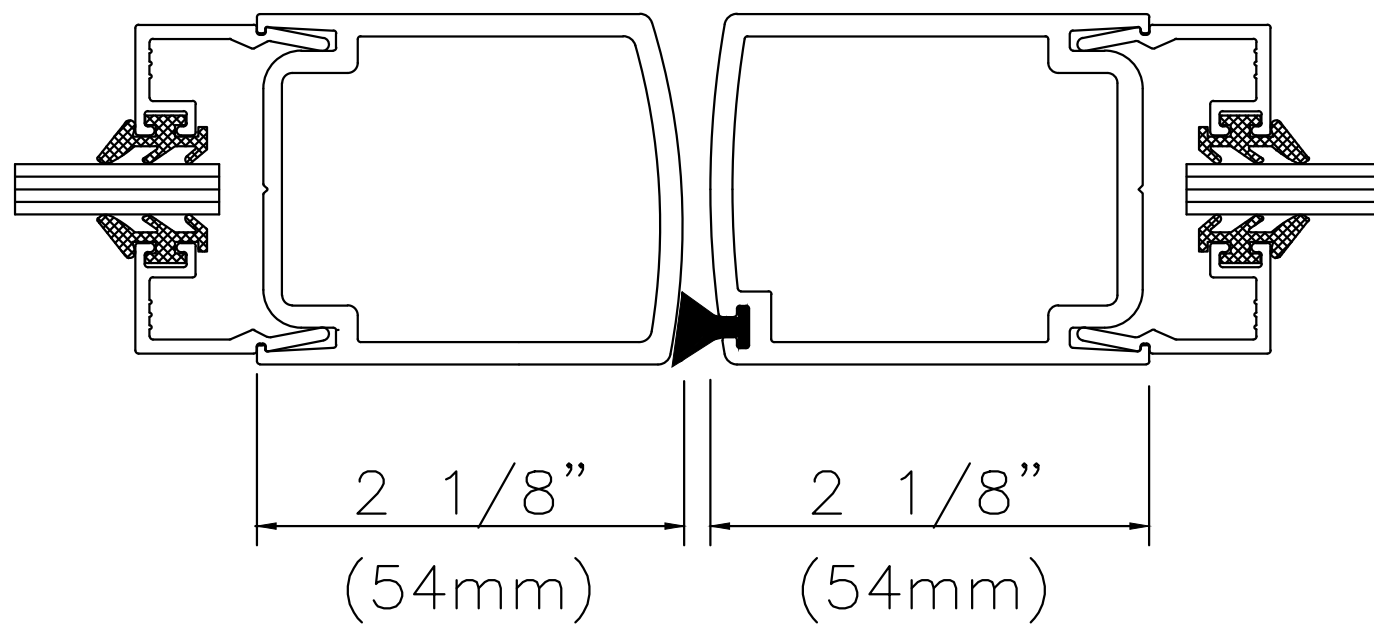
B8

450 ENTRANCE FRAMING 210 DOORS

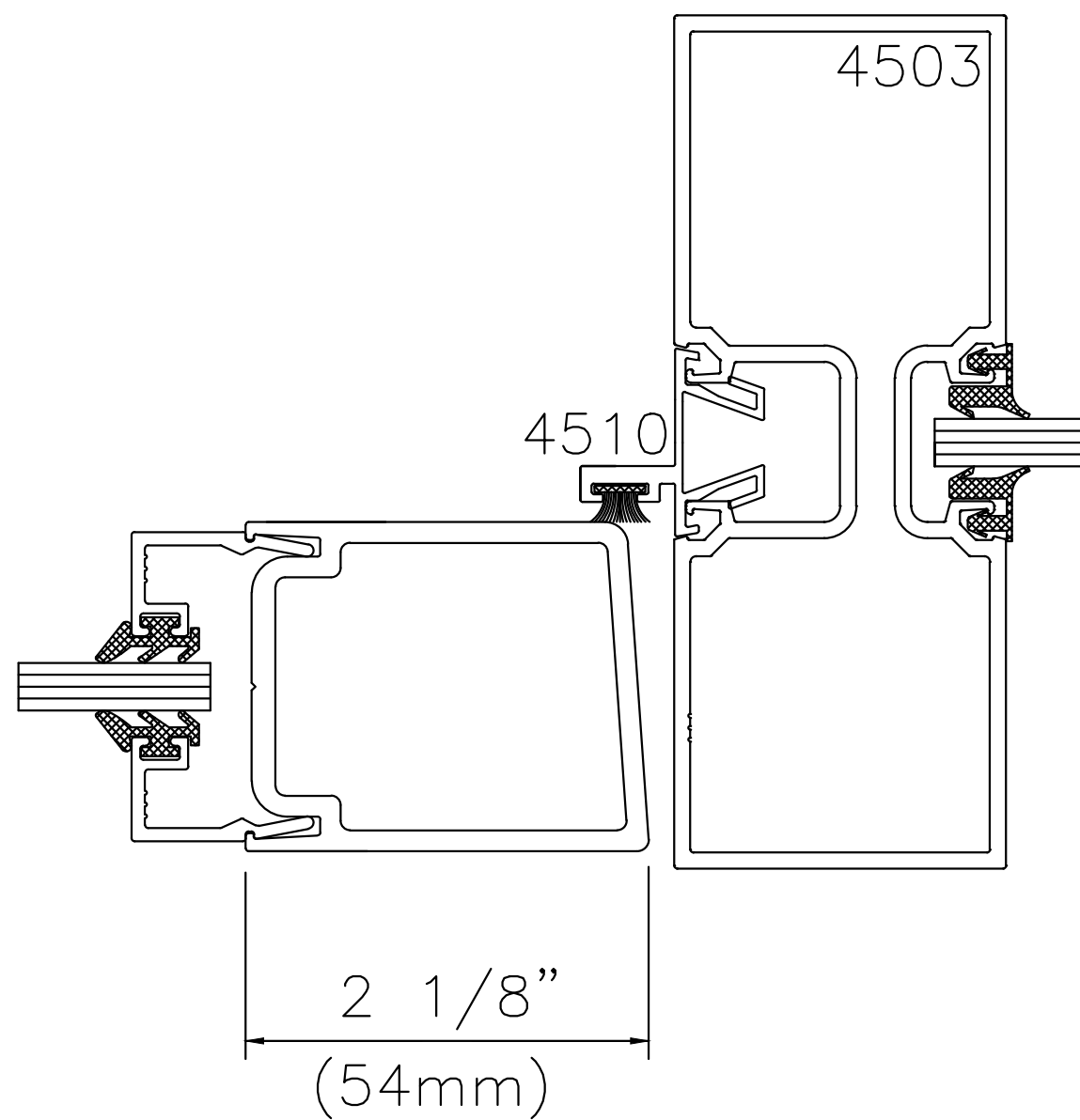
(K)



(L)



(M)



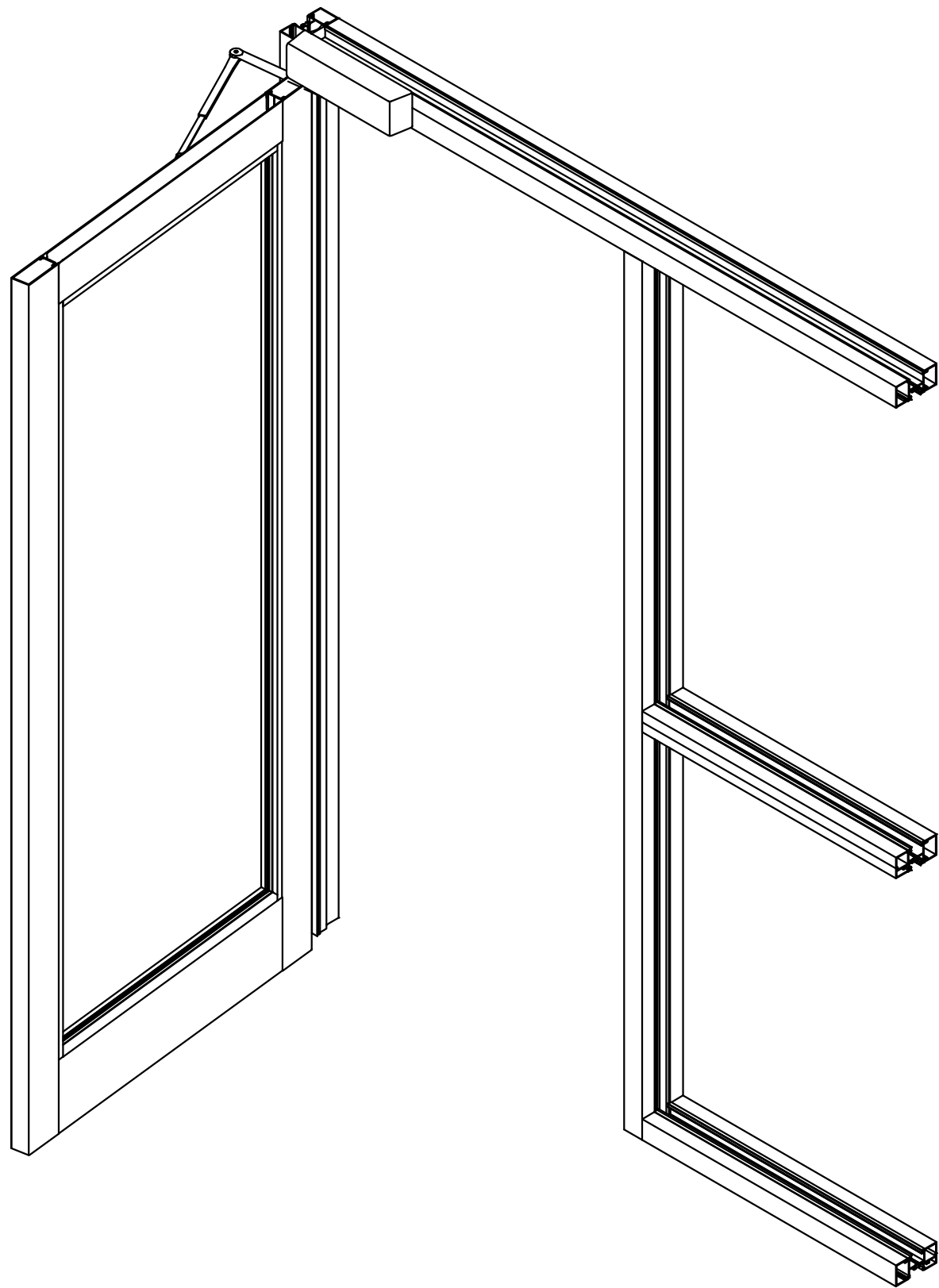
**COMMERCIAL DESIGN
SYSTEMS INC.**

DATE: AUGUST 2014
TEL: (905) 738-0188
FAX: (905) 738-6132
E-MAIL: CDS2009@BELLNET.CA

PAGE:

B9

460 ENTRANCE FRAMING INFORMATION



DESCRIPTION:

IT IS A THERMALLY BROKEN SYSTEM. ENTRANCE FRAMING DIMENSIONS ARE 2"X4 1/2".

FINISH:

STOCKED:

CLEAR ANODIZED (#17)
STANDARD BRONZE (#40)

NON-STOCKED*:

CLEAR ANODIZED (#14)
LIGHT BRONZE (#26)
BLACK ANODIZED (#29)

*PAINT FINISHES ARE AVAILABLE UPON REQUEST

STOCK LENGTH:

24'(7.31M)

GLAZING:

460 SERIES ACCEPTS 1"(6mm) GLAZING UNITS



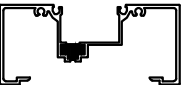
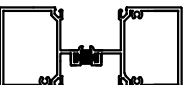
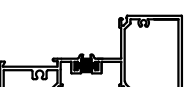


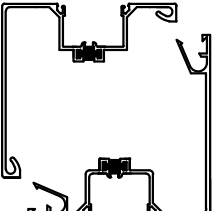


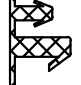

**COMMERCIAL DESIGN
SYSTEMS INC.**

DATE: AUGUST 2014
TEL: (905) 738-0188
FAX: (905) 738-6132
E-MAIL: CDS2009@BELLNET.CA


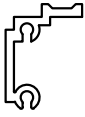
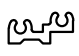

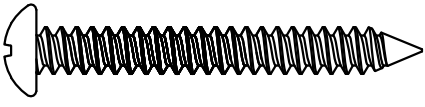

PAGE:

C 1

SERIES 460 ENTRANCE FRAMING (THERMAL FRAMING)
POURED AND DEBRIDGED 2" X 4½" (50.8mm X 114.3mm)

PART	PART NO	DESCRIPTION	FINISH
	4601	MULLION OPEN BACK 24' (7.3M)	STOCKED CLEAR ANODIZED(2) STANDARD BRONZED ANODIZED(3)
			NOT STOCKED LIGHT BRONZED ANODIZED(5) BLACK ANODIZED(6)
	4603	MULLION CLOSED BACK 24' (7.3M)	STOCKED CLEAR ANODIZED(2) STANDARD BRONZED ANODIZED(3)
			NOT STOCKED LIGHT BRONZED ANODIZED(5) BLACK ANODIZED(6)
	4604	HORIZONTAL SILL 24' (7.3M)	STOCKED CLEAR ANODIZED(2) STANDARD BRONZED ANODIZED(3)
			NOT STOCKED LIGHT BRONZED ANODIZED(5) BLACK ANODIZED(6)
	4605	1" SEALED UNIT GLAZING STOP 24' (7.3M)	STOCKED CLEAR ANODIZED(2) STANDARD BRONZED ANODIZED(3)
			NOT STOCKED LIGHT BRONZED ANODIZED(5) BLACK ANODIZED(6)
	4606	SILL TRACK 22' (6.7M)	STOCKED CLEAR ANODIZED(2) STANDARD BRONZED ANODIZED(3)
			NOT STOCKED LIGHT BRONZED ANODIZED(5) BLACK ANODIZED(6)
	4607	MALE HALF CORNER MULLION 24' (7.3M)	STOCKED CLEAR ANODIZED(2) STANDARD BRONZED ANODIZED(3)
	4608	FEMALE HALF CORNER MULLION 24' (7.3M)	NOT STOCKED LIGHT BRONZED ANODIZED(5) BLACK ANODIZED(6)
	4609	2 PIECE DOOR STOP ½"	STOCKED CLEAR ANODIZED(2) STANDARD BRONZED ANODIZED(3)
			NOT STOCKED LIGHT BRONZED ANODIZED(5) BLACK ANODIZED(6)
	4610	2 PIECE DOOR STOP 11/16" (.670m)	STOCKED CLEAR ANODIZED(2) STANDARD BRONZED ANODIZED(3)
			NOT STOCKED LIGHT BRONZED ANODIZED(5) BLACK ANODIZED(6)
	R4502	GLAZING SPLINE FOR 1" (25.4mm) UNIT 500'	
	R4527	WEATHER STRIP 1500'	

SERIES 460 ENTRANCE FRAMING (THERMAL FRAMING)
POURED AND DEBRIDGED 2" X 4½" (50.8mm X 114.3mm)

PART	PART NO	DESCRIPTION	FINISH
	R4603	POCKET FILLER 22' (6.7M)	
	H4602	LARGE JAMB/MULLION BRACKET	
	H4603	SMALL SILL BRACKET	
	H4604	4600 FRAME BACKING PLATES FOR BUTT HINGES	
		PAN HEAD PHILLIPS SCREW #12 X 2"	
		FLAT HEAD SQUARE SCREW 10-24 X 5/8"	



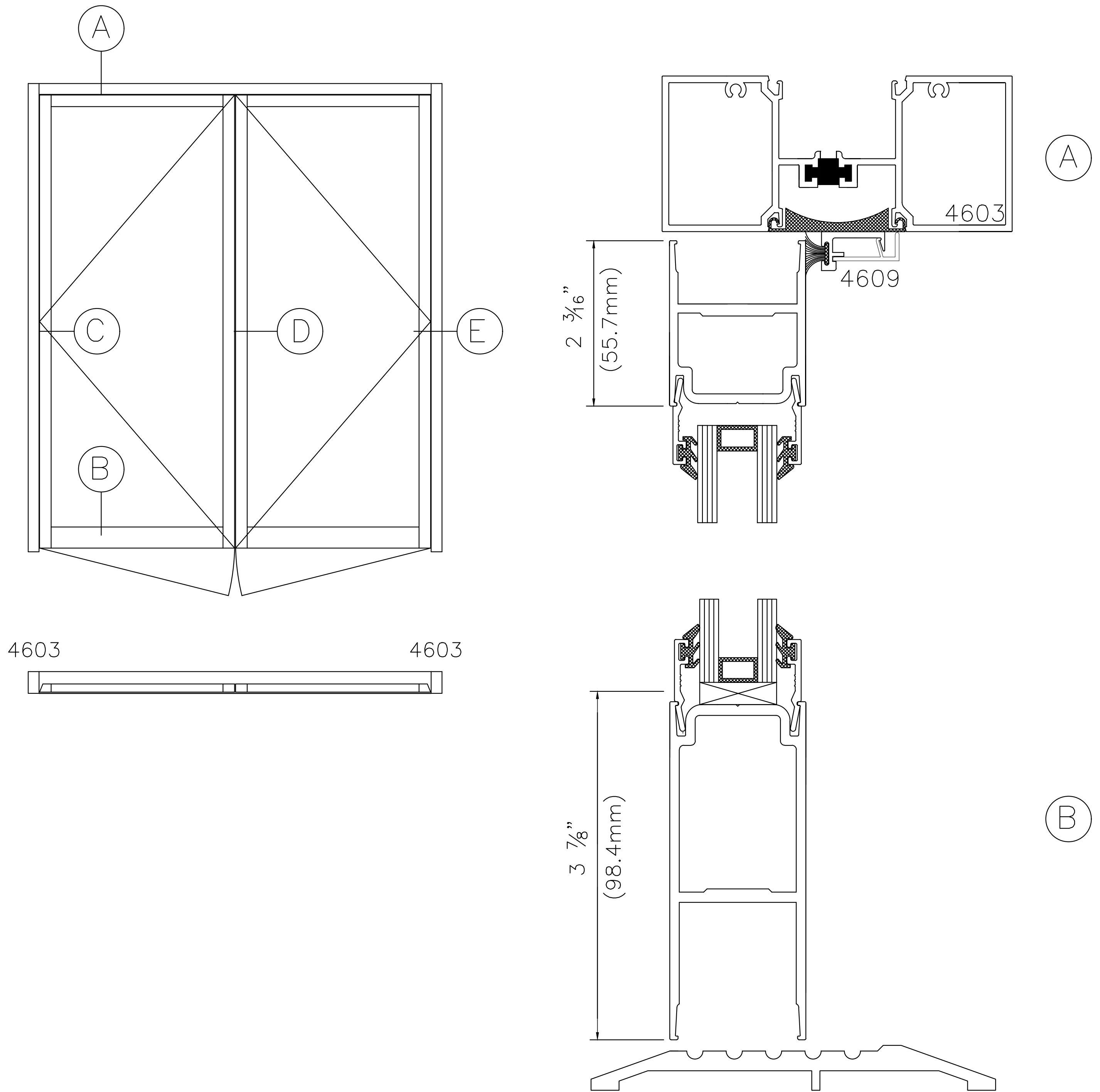
**COMMERCIAL DESIGN
SYSTEMS INC.**

DATE: AUGUST 2014
 TEL: (905) 738-0188
 FAX: (905) 738-6132
 E-MAIL: CDS2009@BELLNET.CA

PAGE:

C3

460 ENTRANCE FRAMING (2" X 4 1/2") WITH STANDARD DOOR



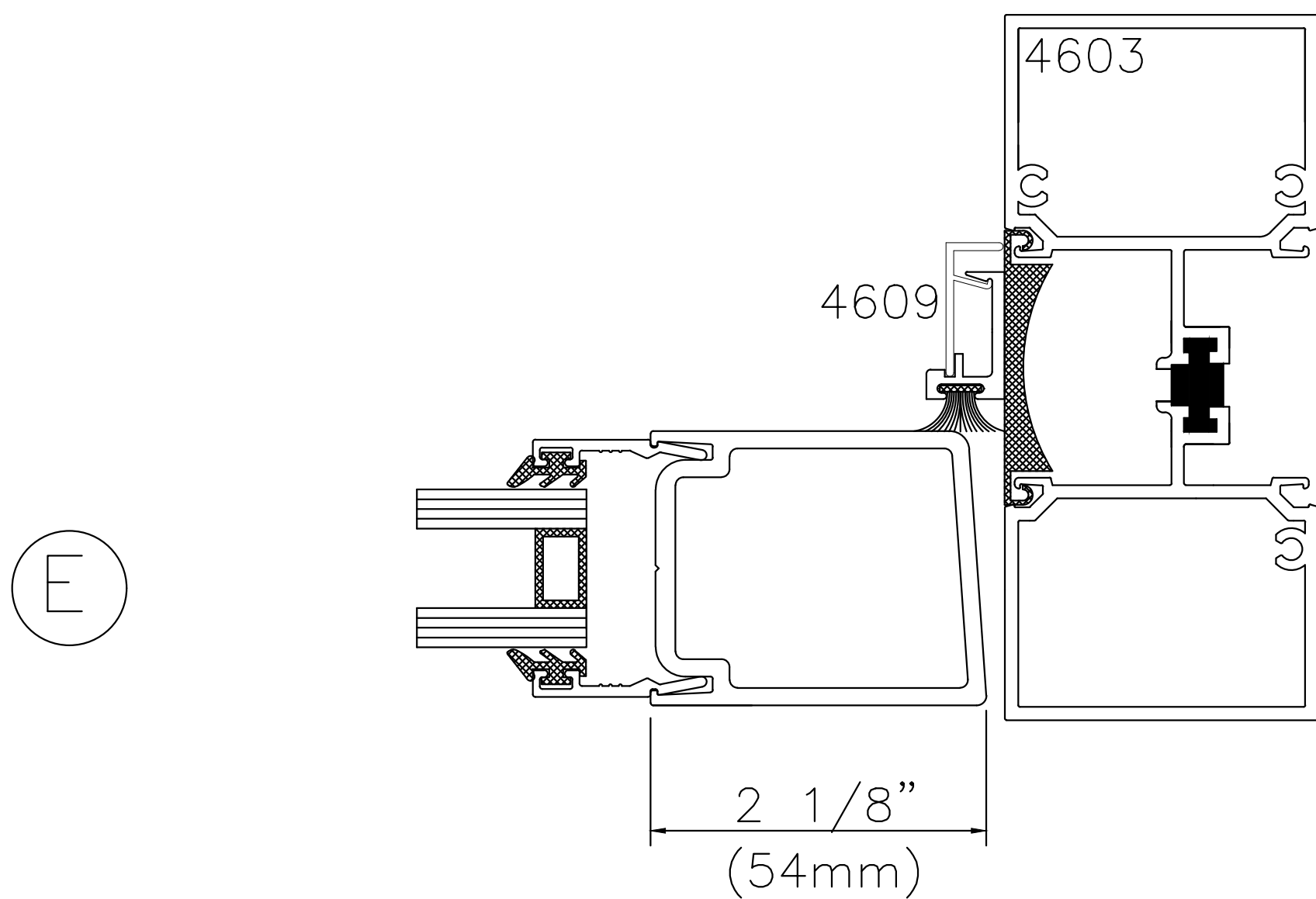
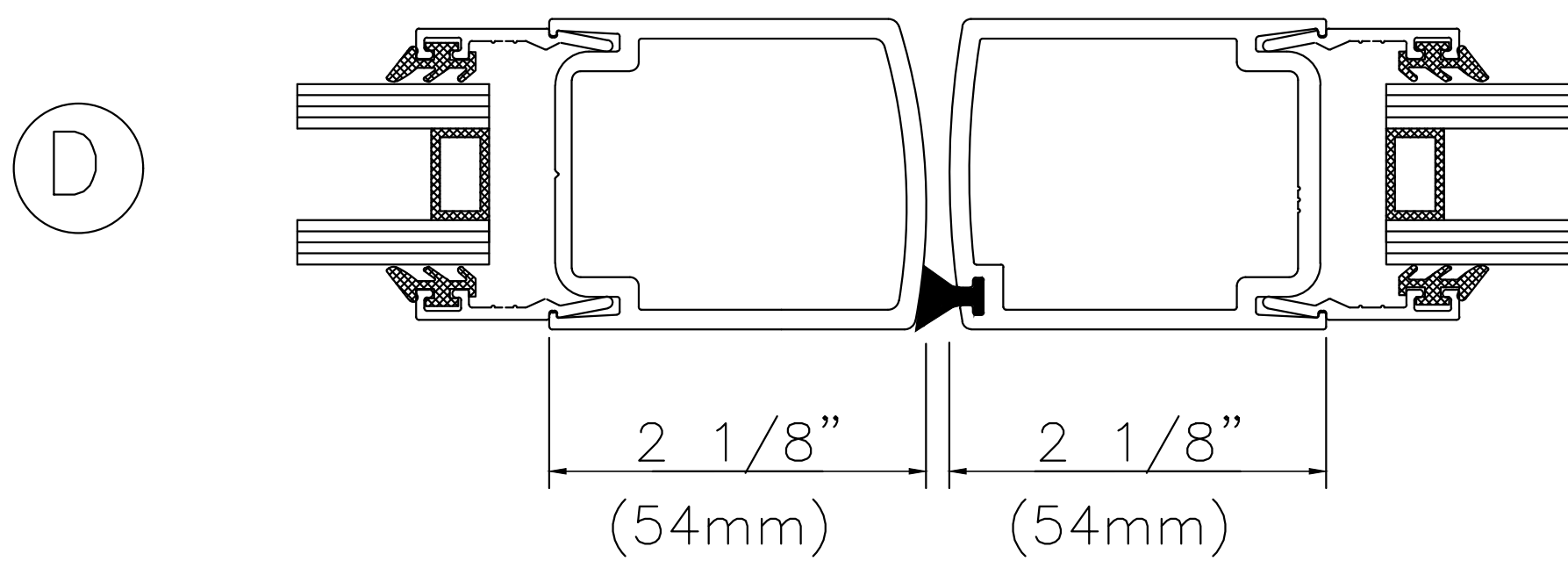
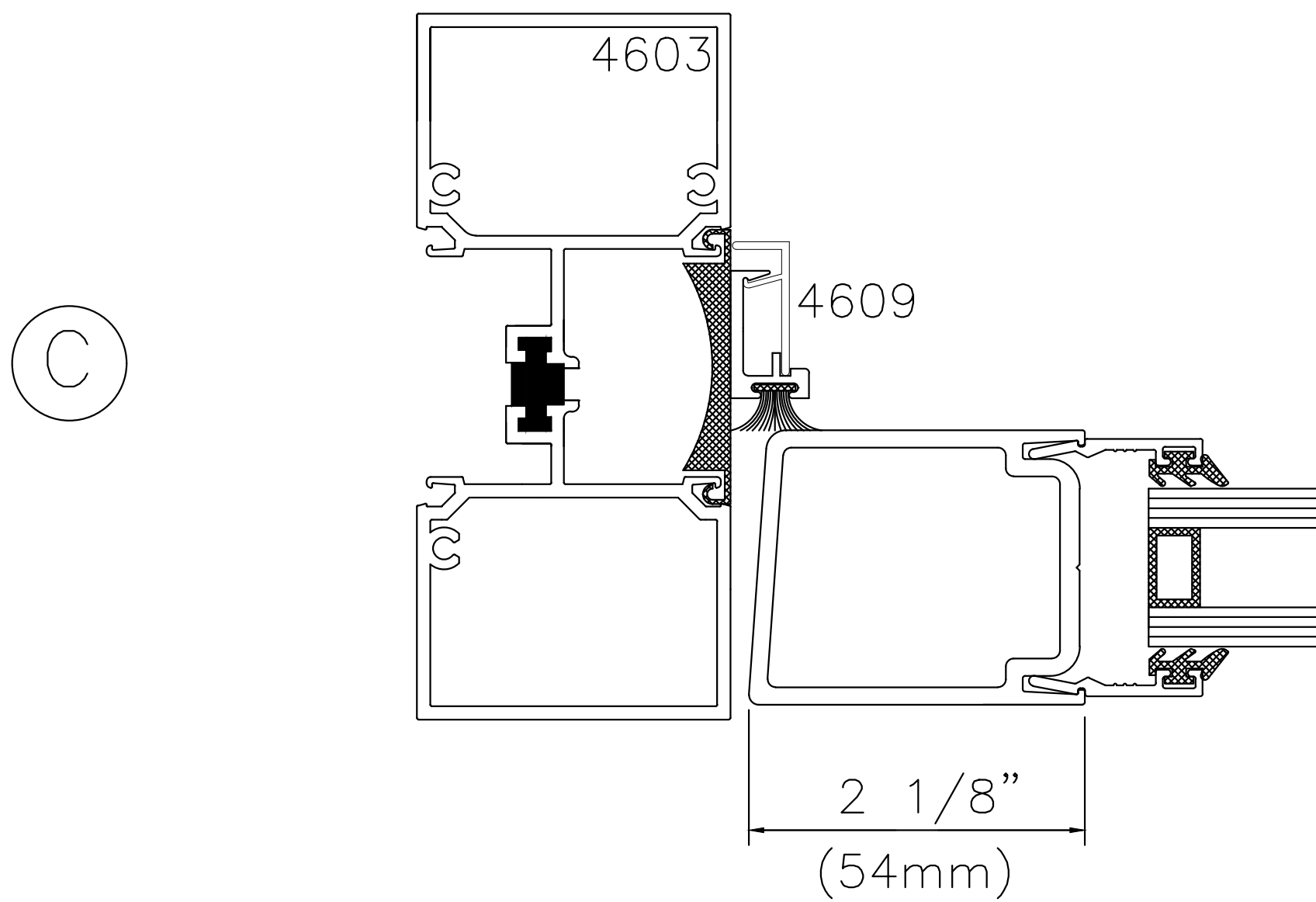
**COMMERCIAL DESIGN
SYSTEMS INC.**

DATE: AUGUST 2014
 TEL: (905) 738-0188
 FAX: (905) 738-6132
 E-MAIL: CDS2009@BELLNET.CA

PAGE:

C4

460 ENTRANCE FRAMING (2"X4½") WITH STANDARD DOOR



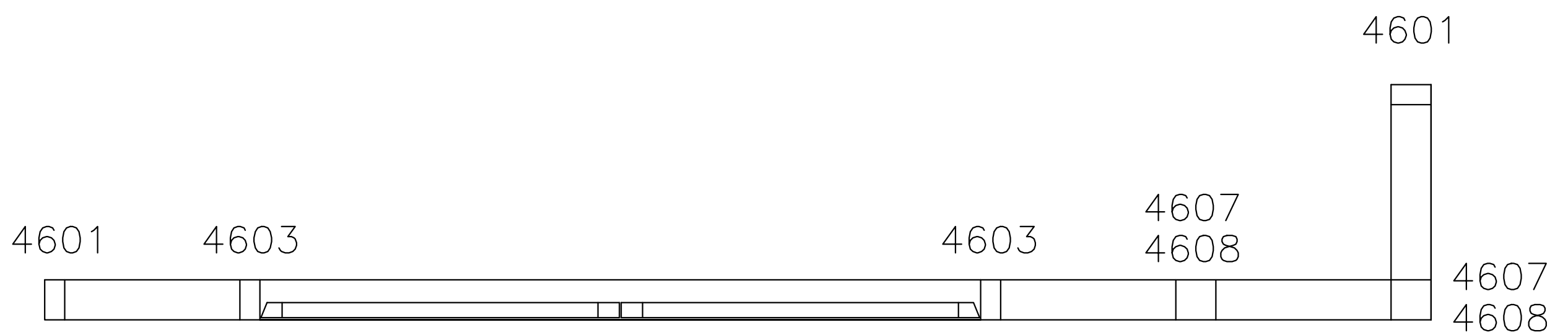
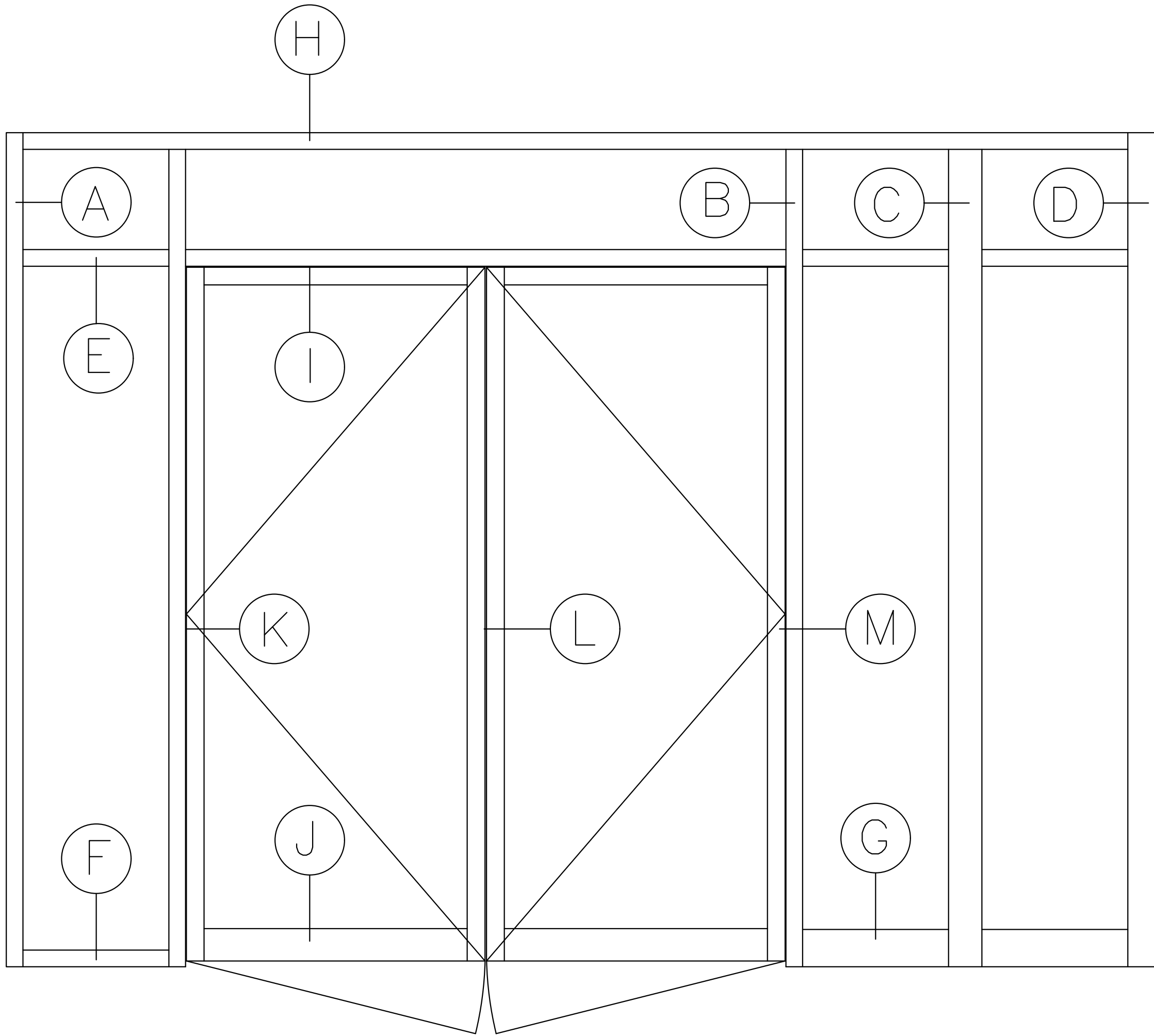
**COMMERCIAL DESIGN
SYSTEMS INC.**

DATE: AUGUST 2014
TEL: (905) 738-0188
FAX: (905) 738-6132
E-MAIL: CDS2009@BELLNET.CA

PAGE:

C5

460 SERIES ENTRANCE FRAMING

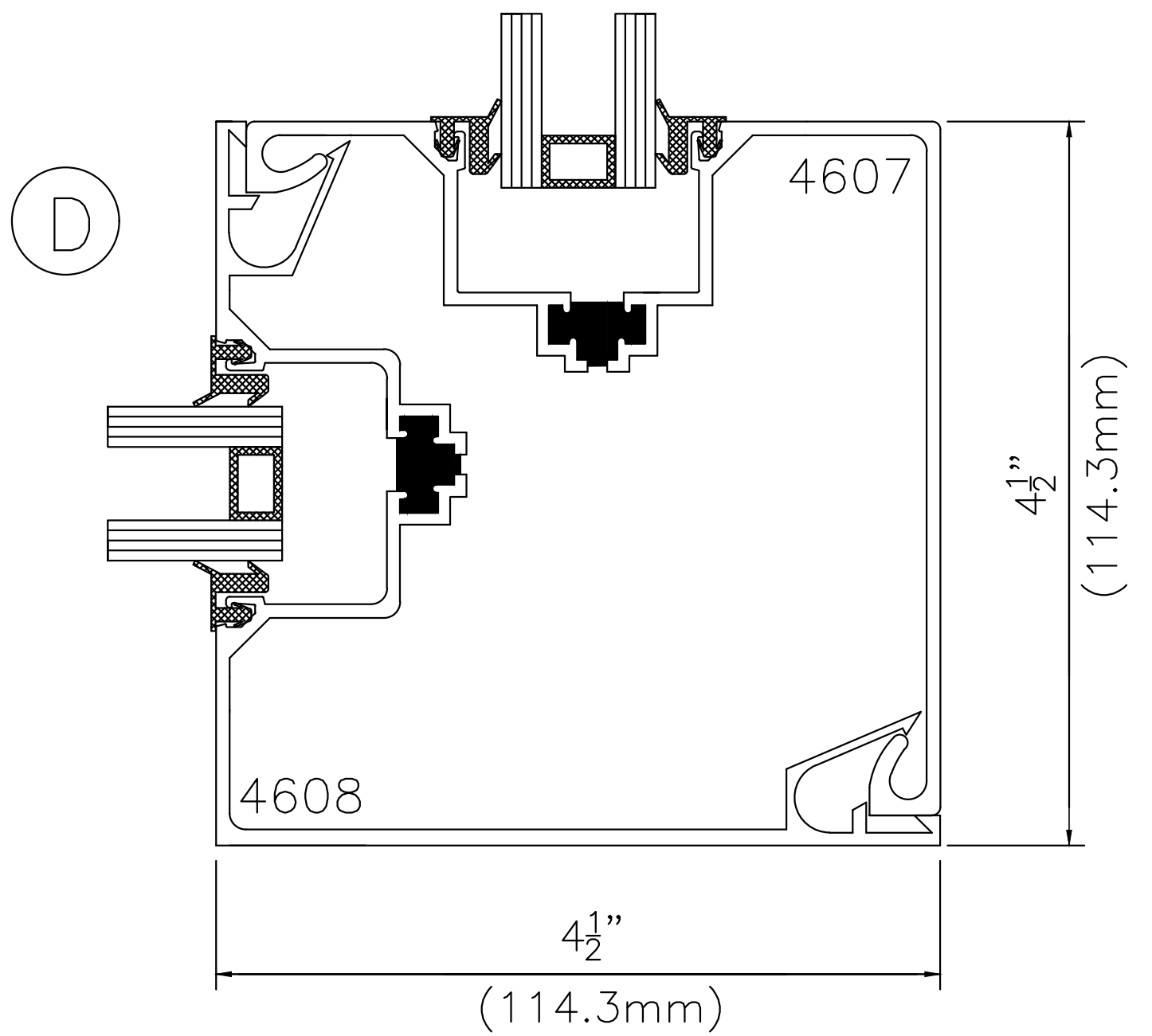
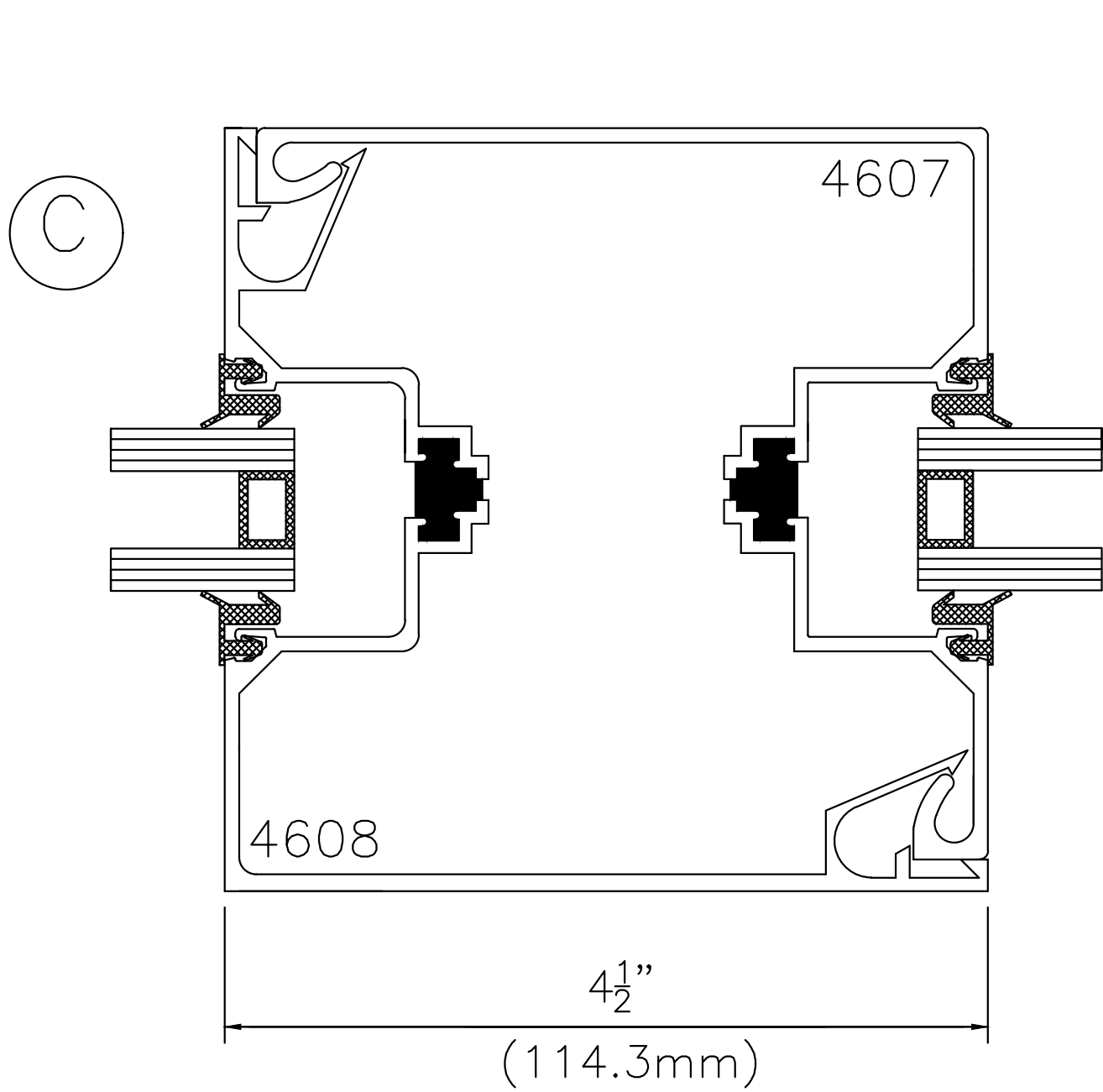
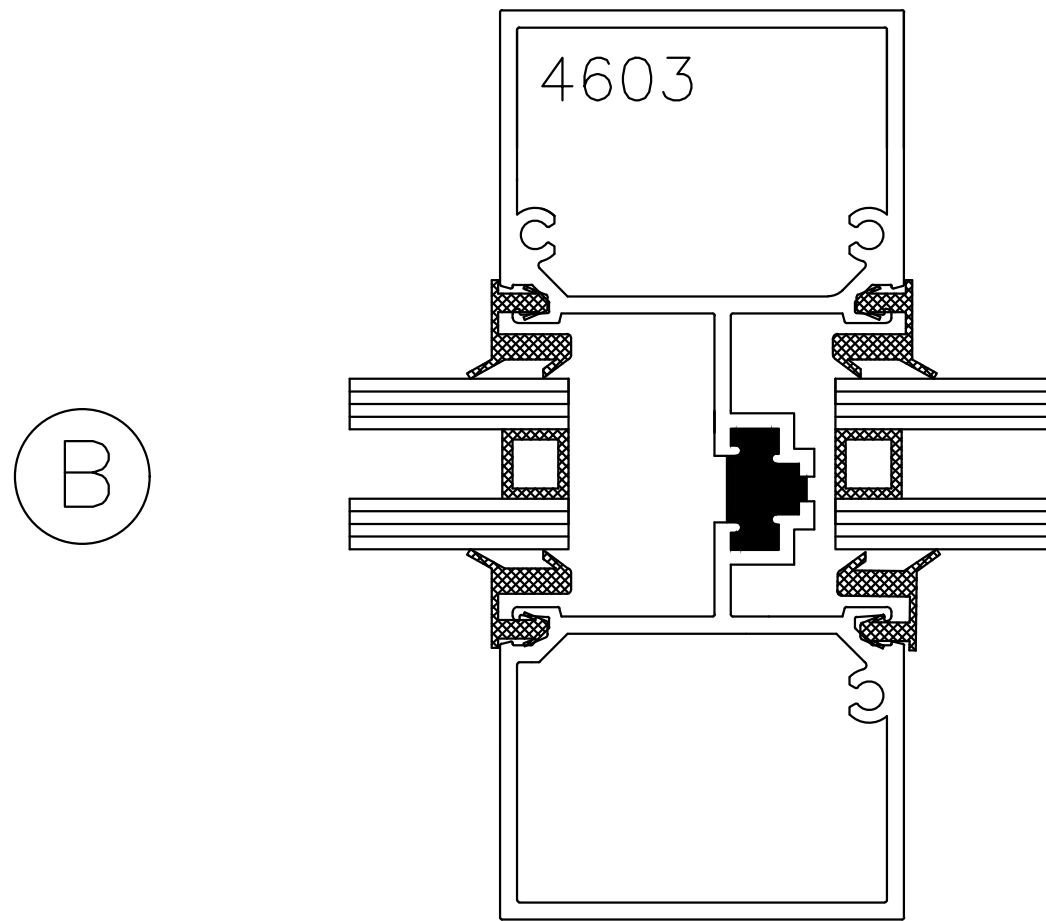
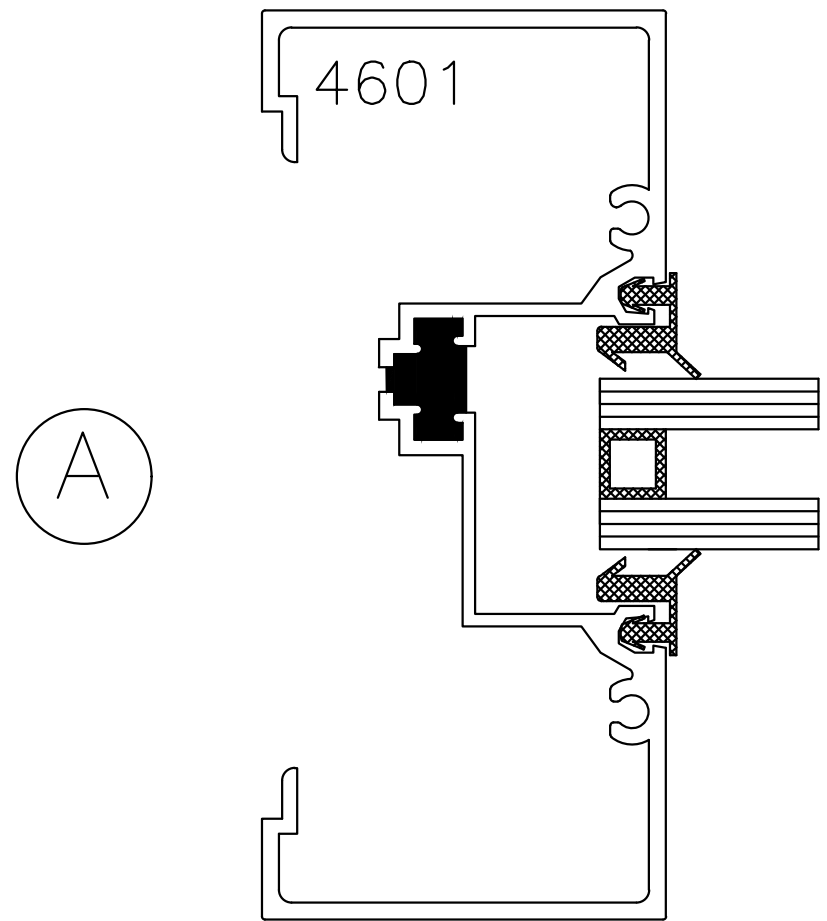


**COMMERCIAL DESIGN
SYSTEMS INC.**

DATE: AUGUST 2014
 TEL: (905) 738-0188
 FAX: (905) 738-6132
 E-MAIL: CDS2009@BELLNET.CA

PAGE:
C6

460 SERIES ENTRANCE FRAMING



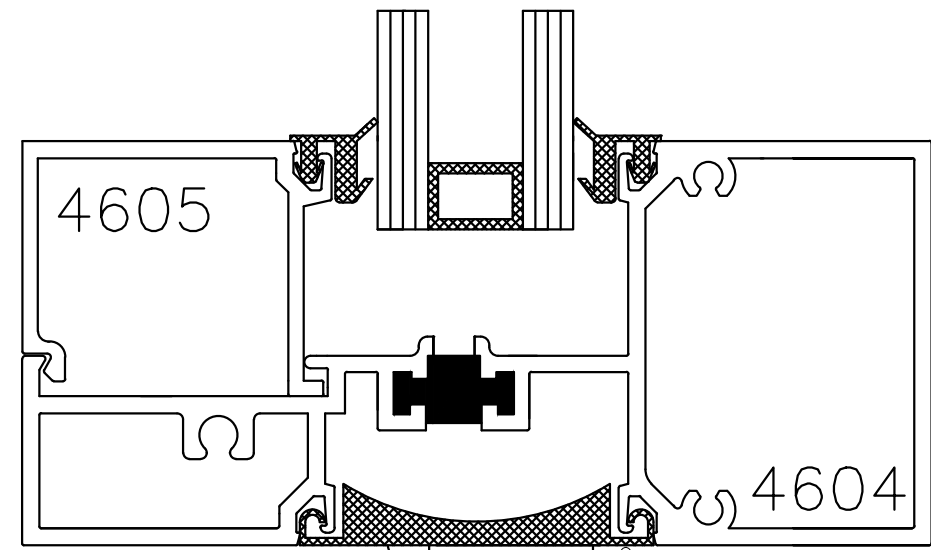
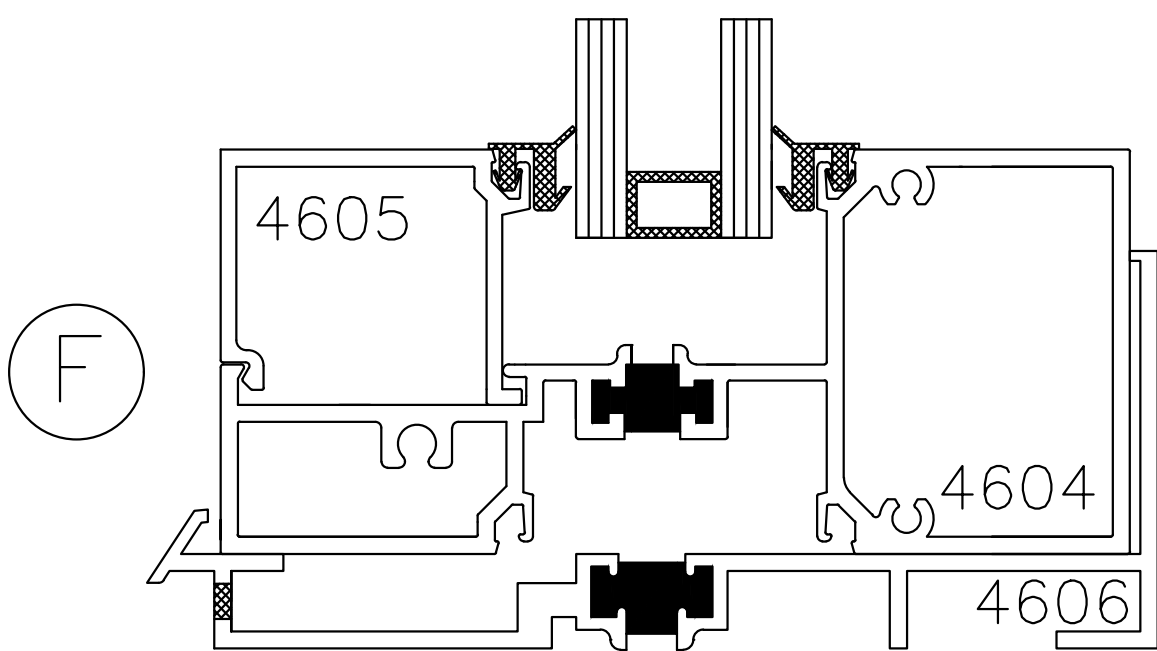
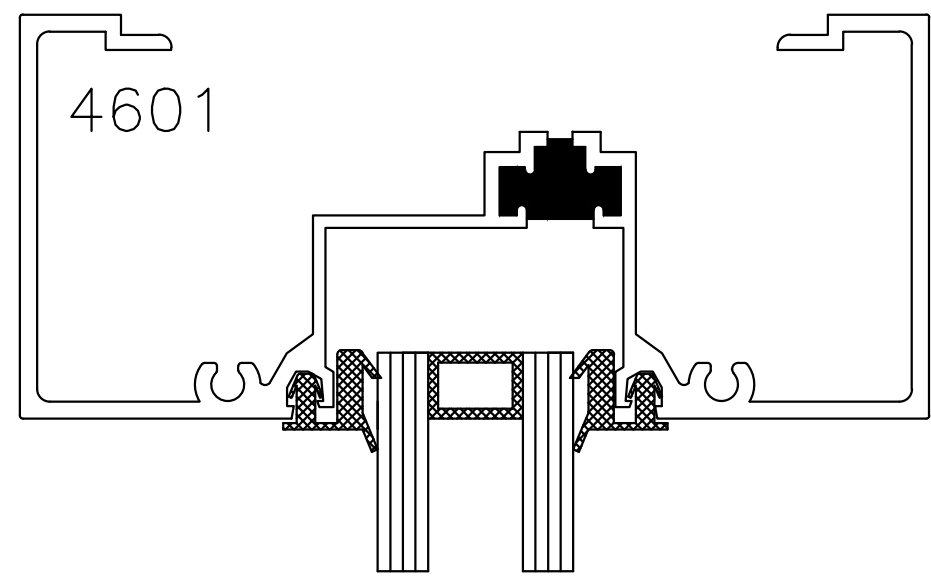
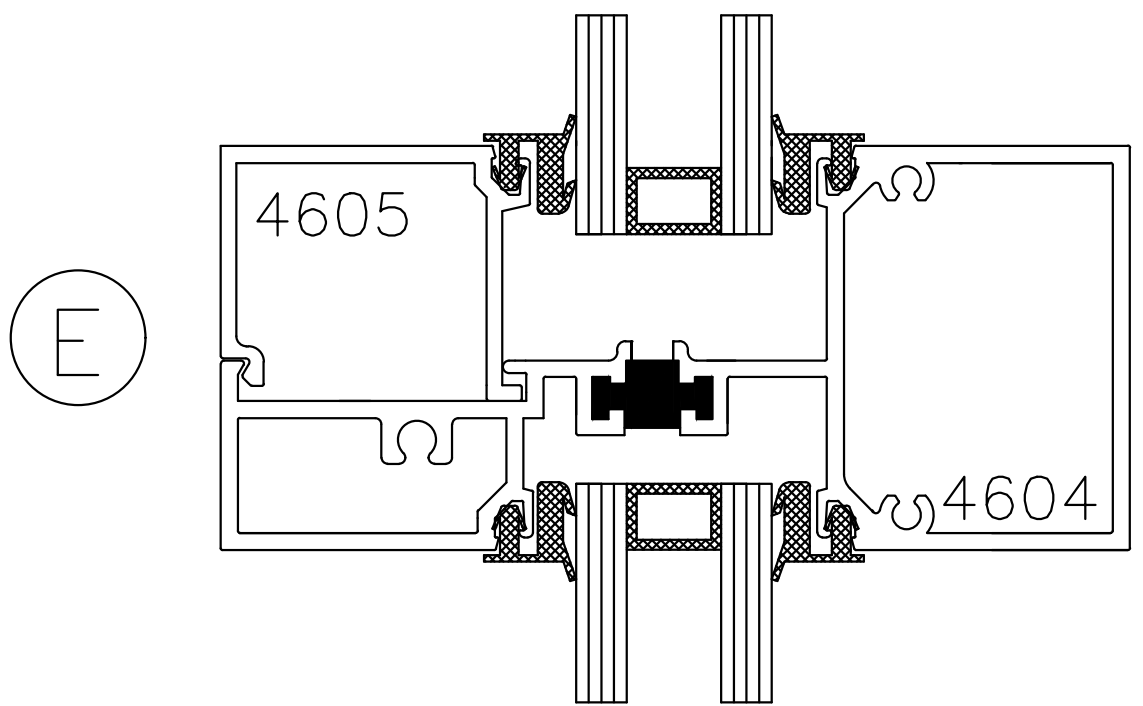
**COMMERCIAL DESIGN
SYSTEMS INC.**

DATE: AUGUST 2014
 TEL: (905) 738-0188
 FAX: (905) 738-6132
 E-MAIL: CDS2009@BELLNET.CA

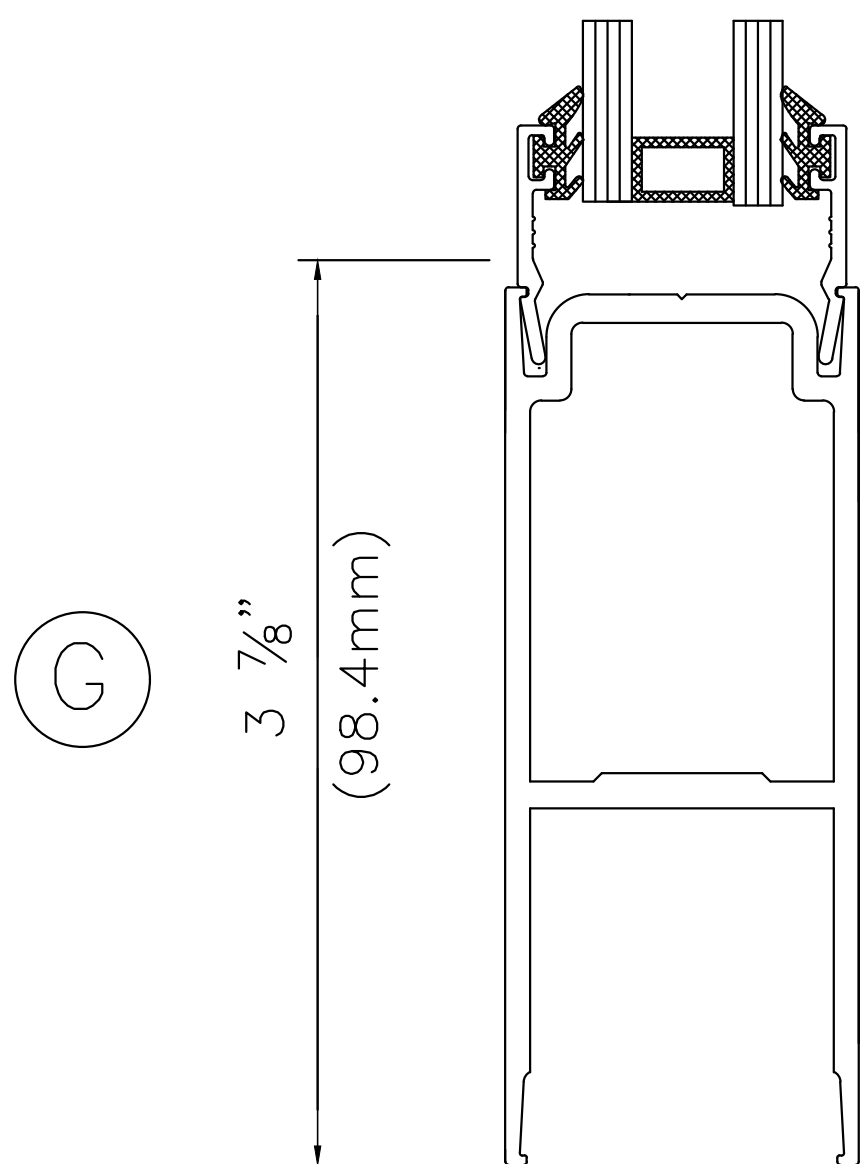
PAGE:

C7

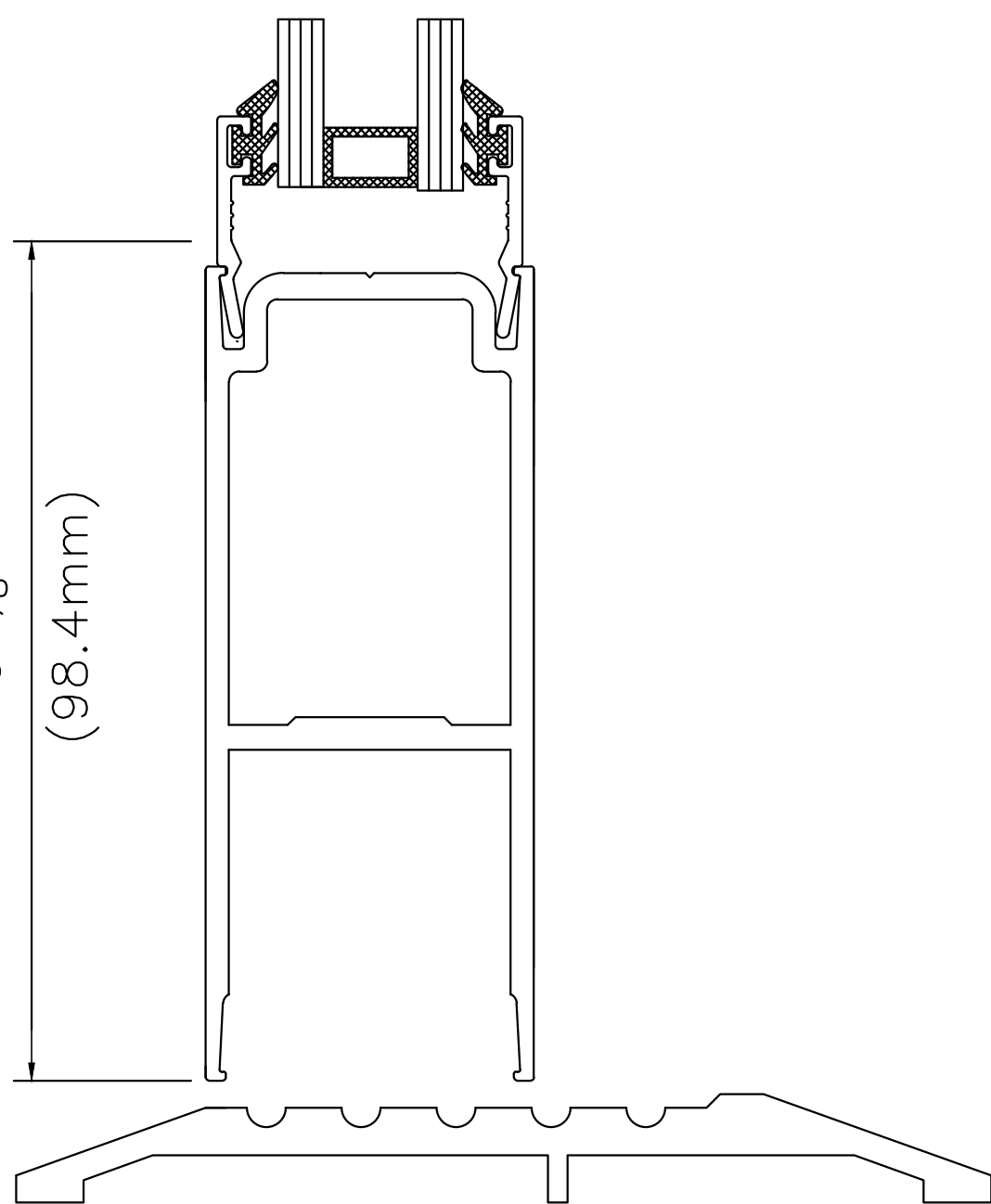
460 ENTRANCE FRAMING 210 DOOR



2 3/16"
(55.7mm)



3 7/8"
(98.4mm)



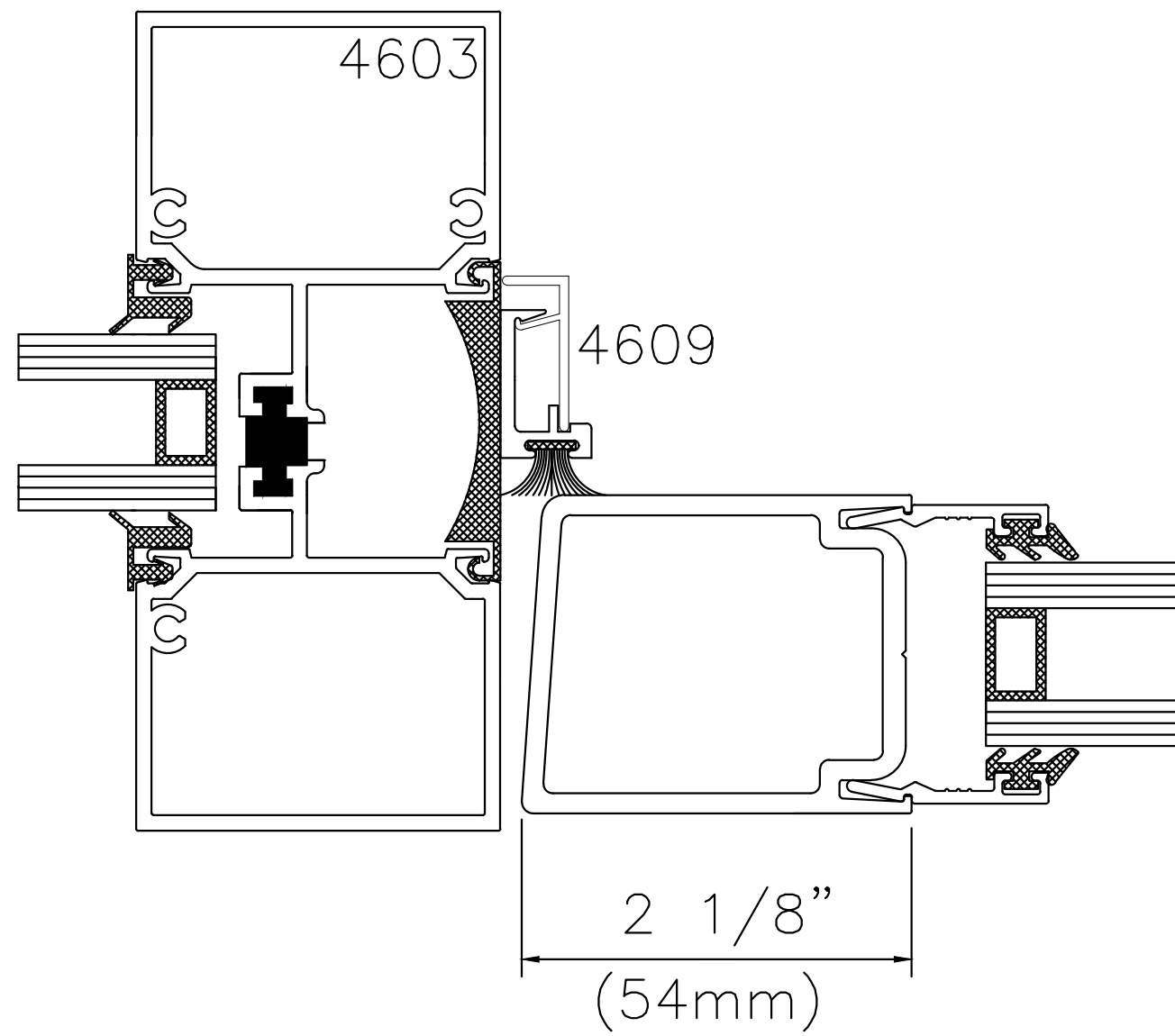
**COMMERCIAL DESIGN
SYSTEMS INC.**

DATE: AUGUST 2014
 TEL: (905) 738-0188
 FAX: (905) 738-6132
 E-MAIL: CDS2009@BELLNET.CA

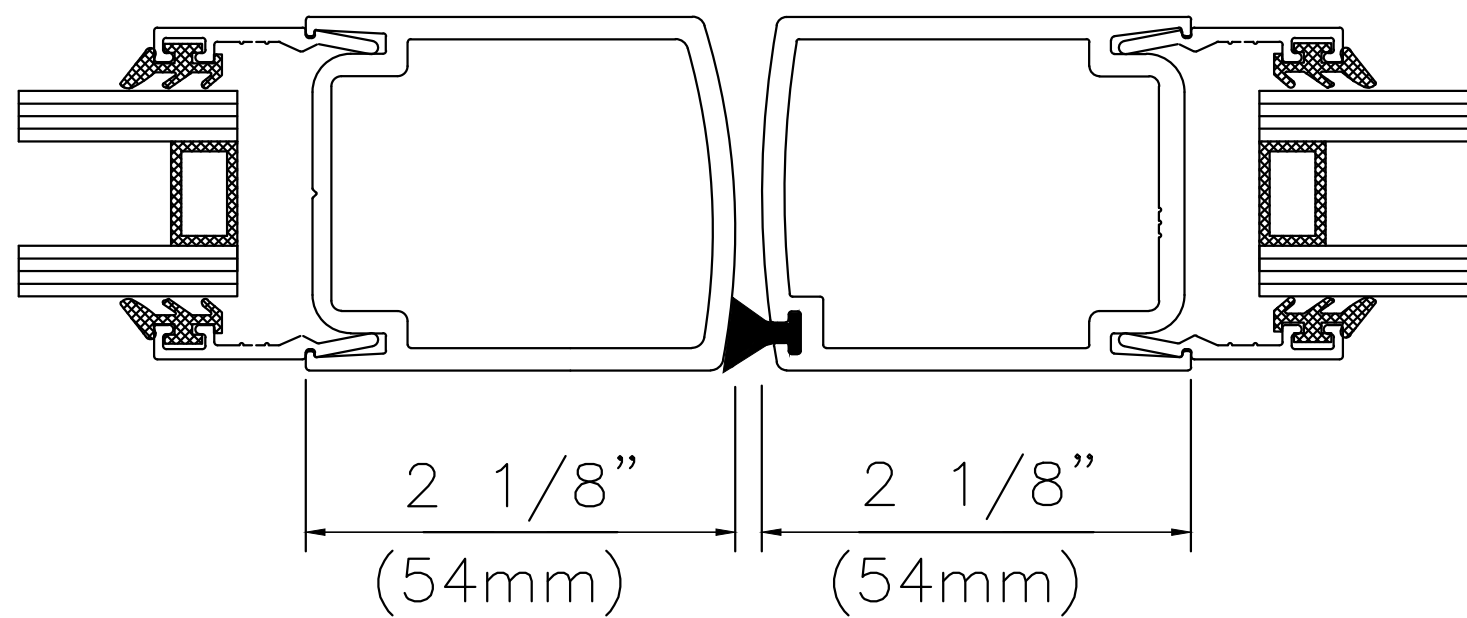
PAGE:
C8

460 ENTRANCE FRAMING 210 DOOR

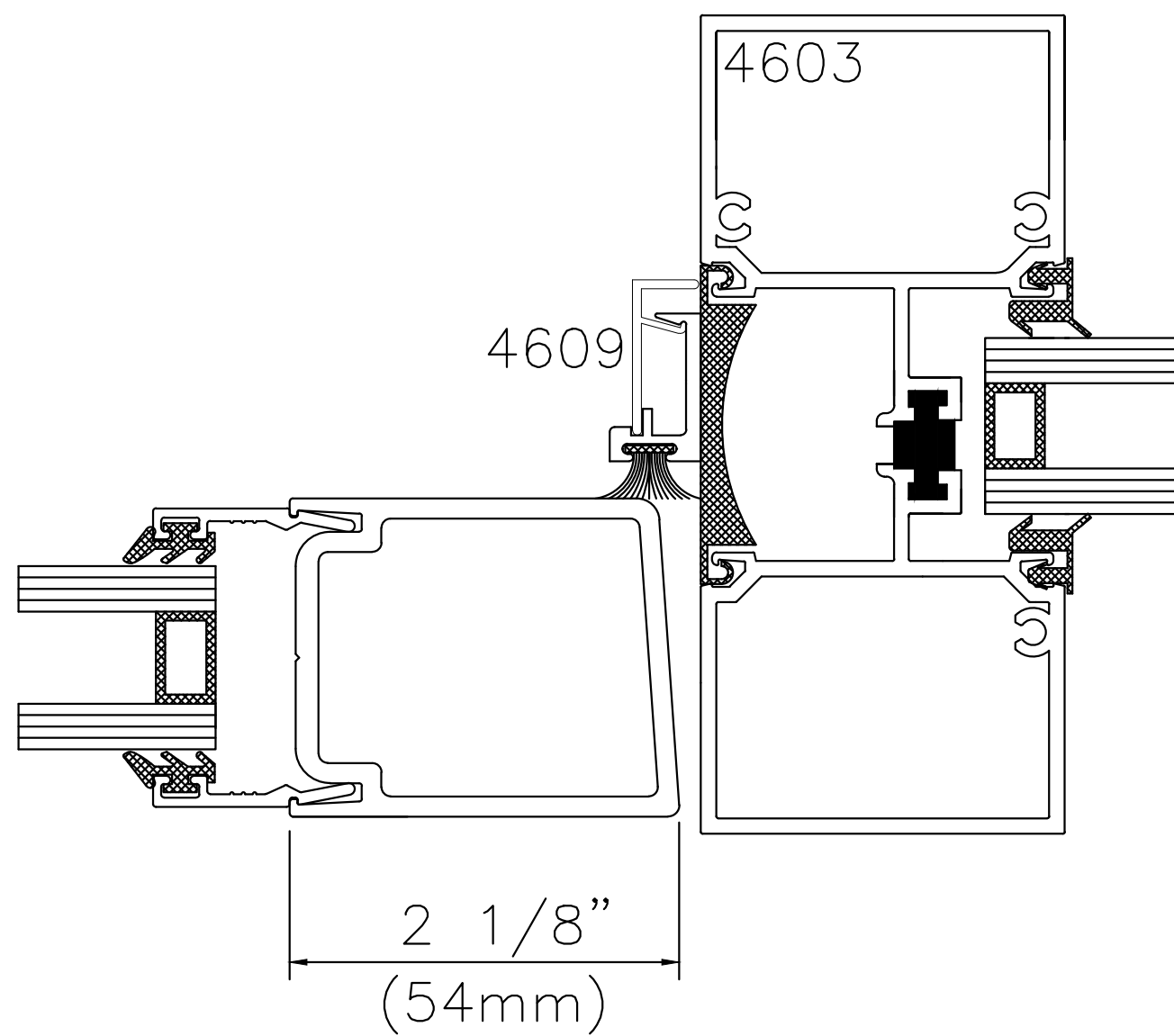
(K)



(L)



(M)



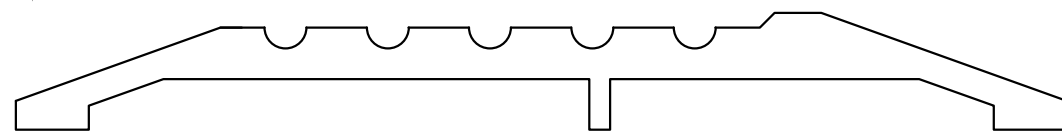
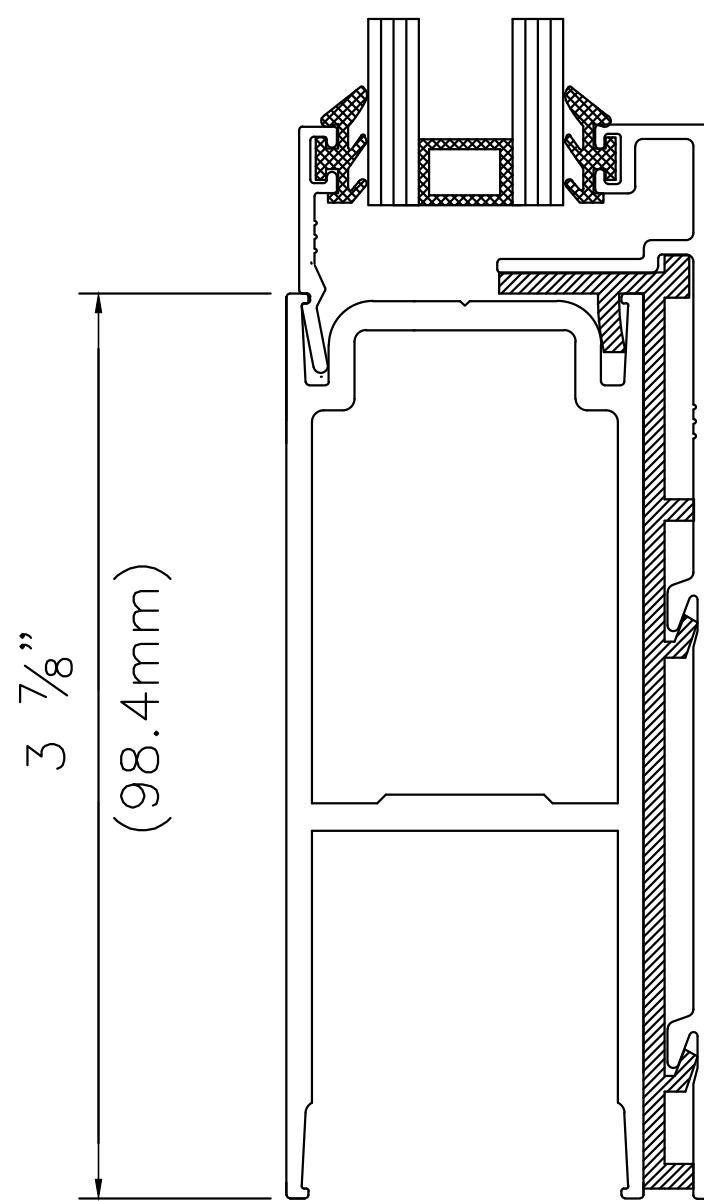
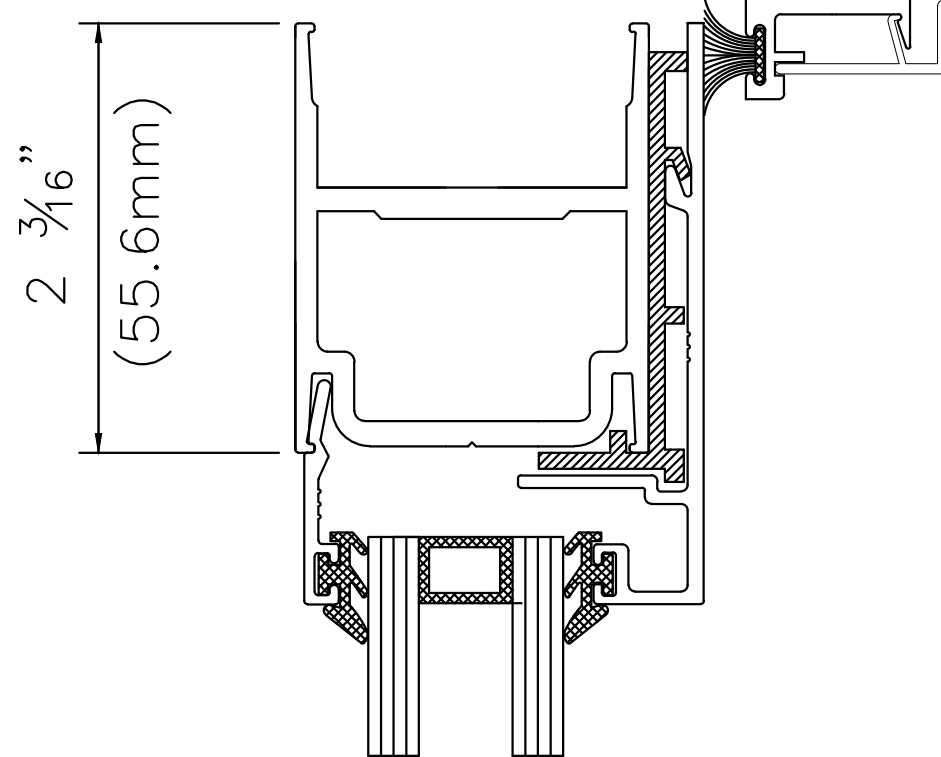
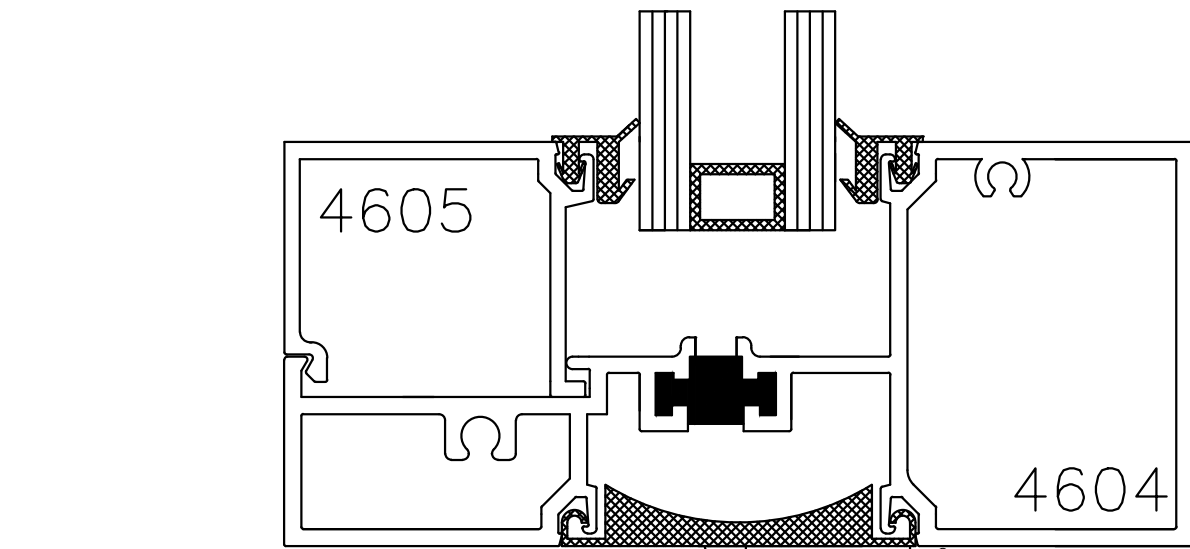
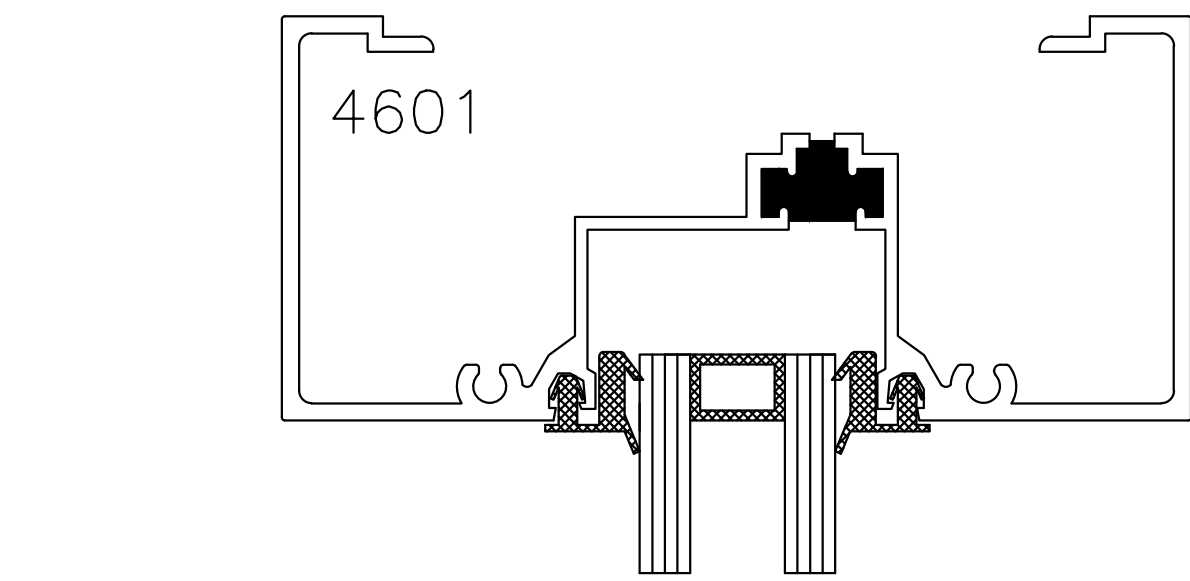
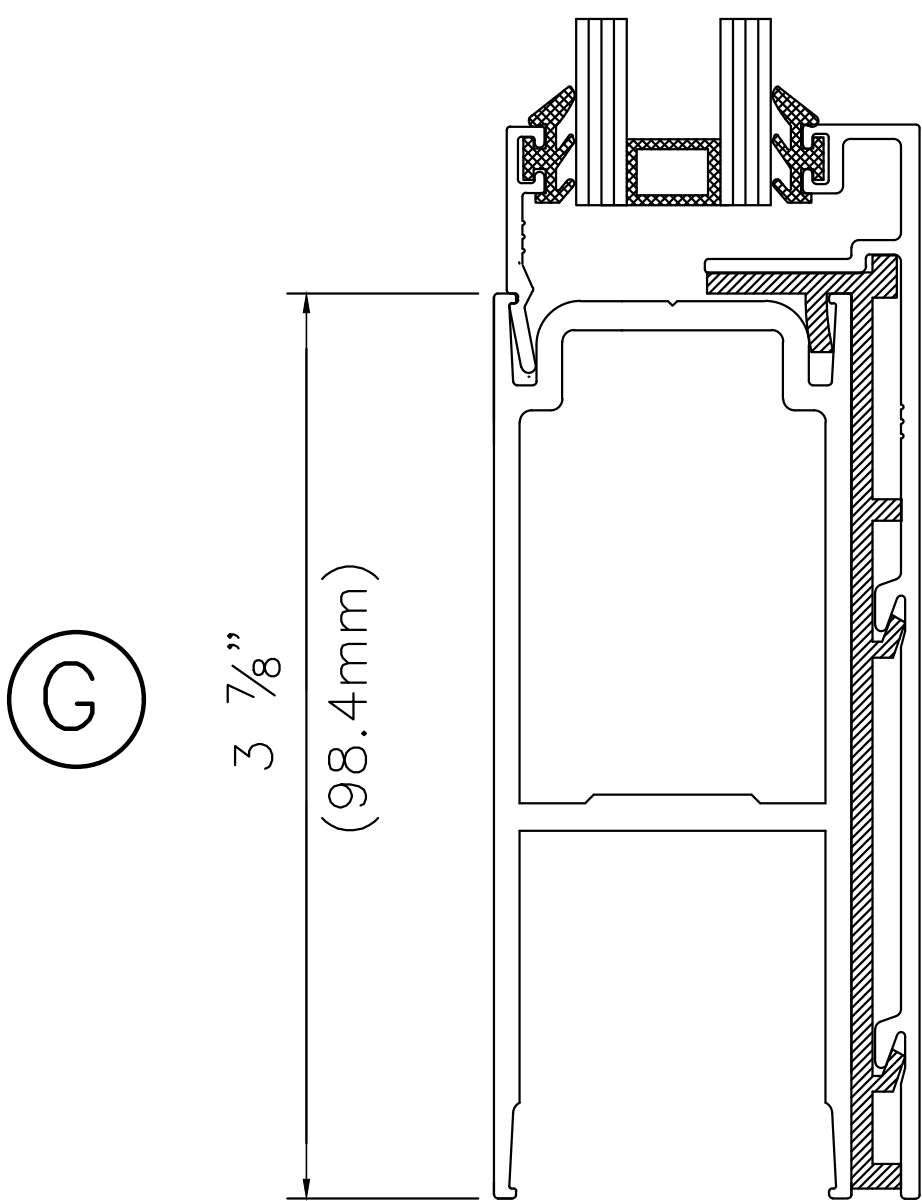
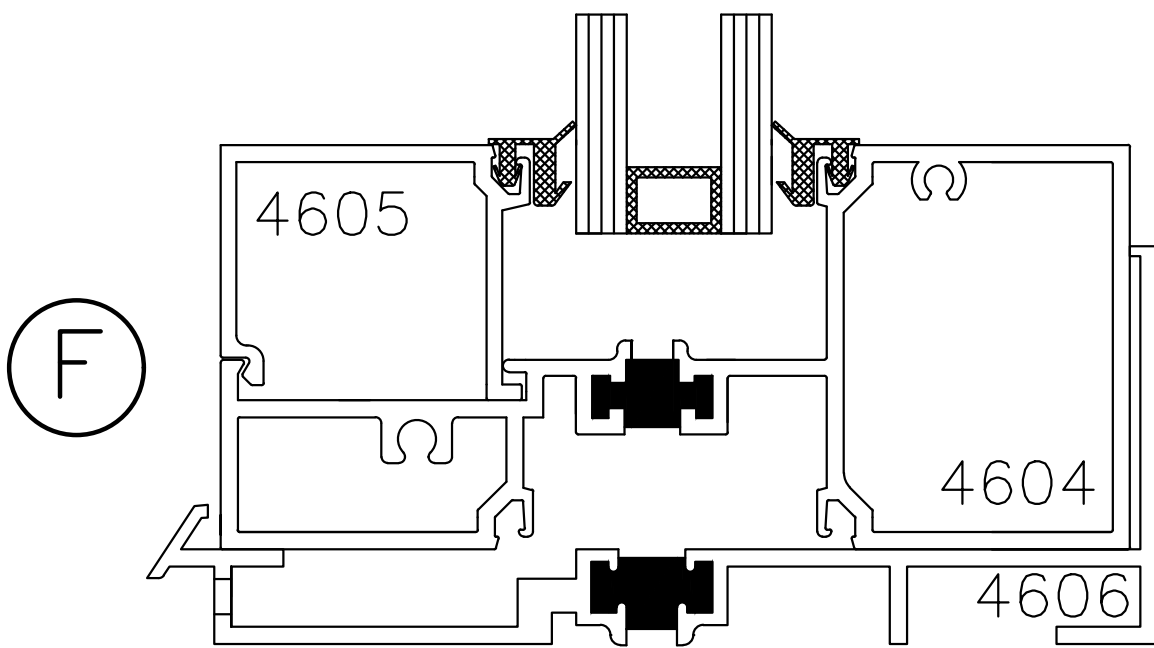
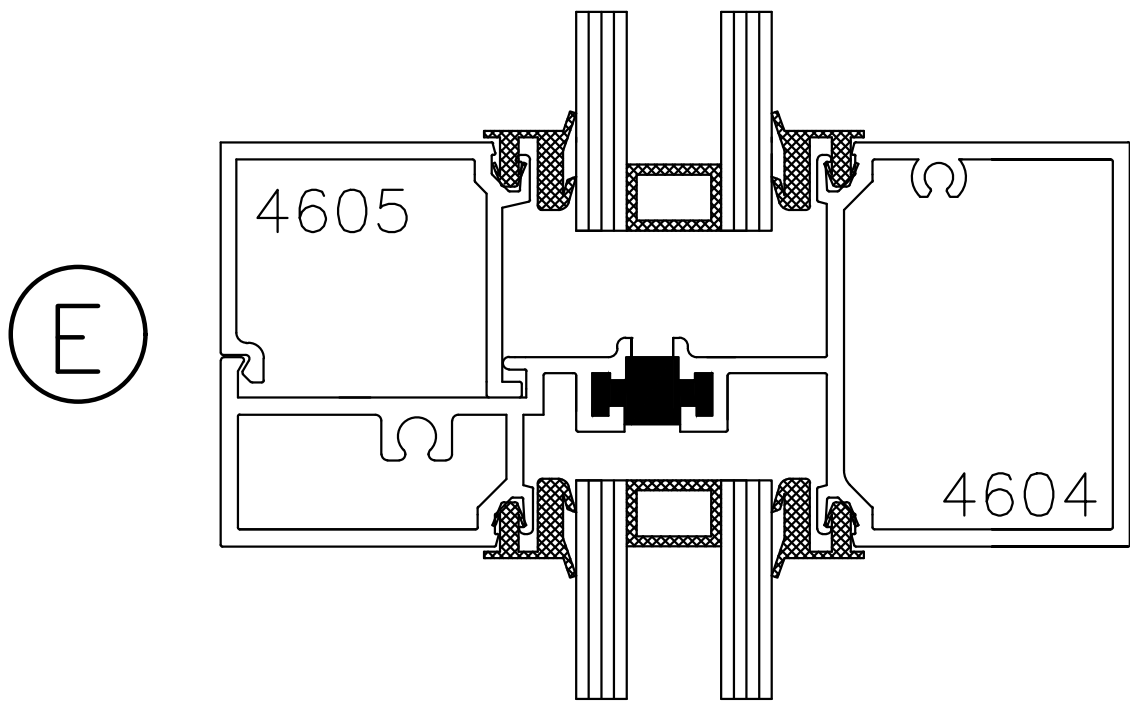
**COMMERCIAL DESIGN
SYSTEMS INC.**

DATE: AUGUST 2014
TEL: (905) 738-0188
FAX: (905) 738-6132
E-MAIL: CDS2009@BELLNET.CA

PAGE:

C9

460 ENTRANCE FRAMING 210 INSUL DOORS

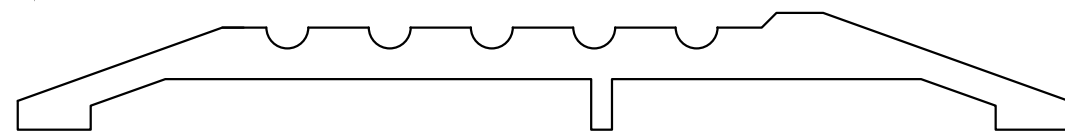
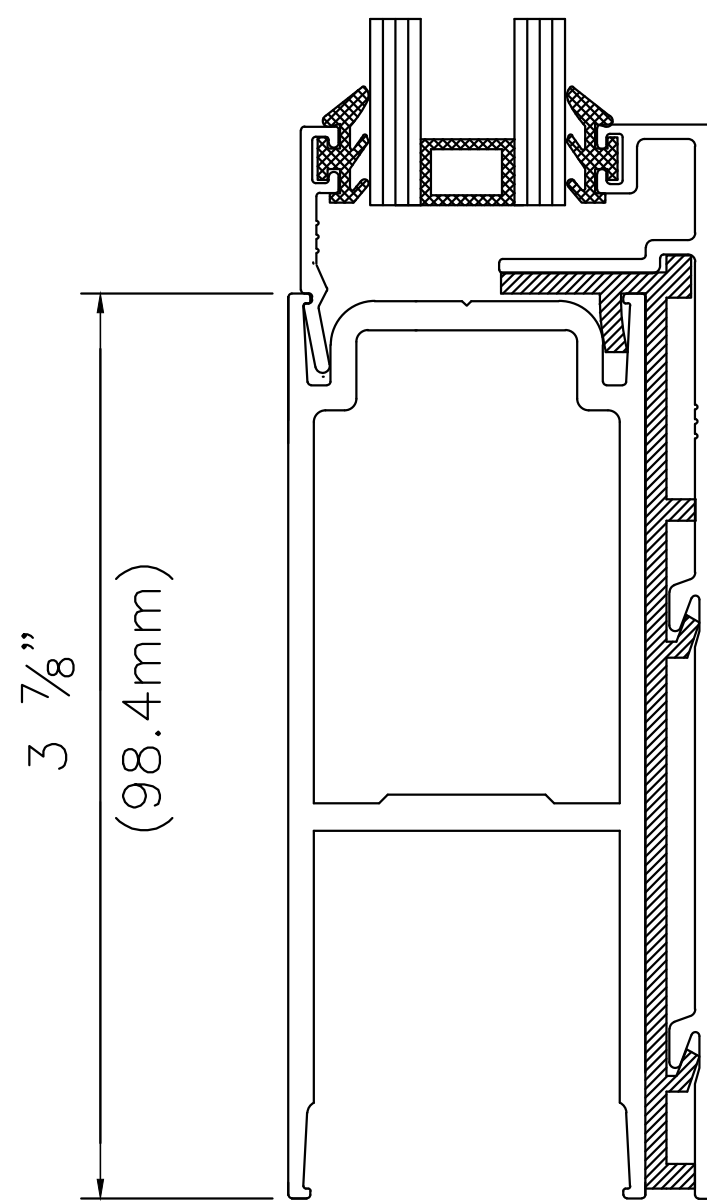
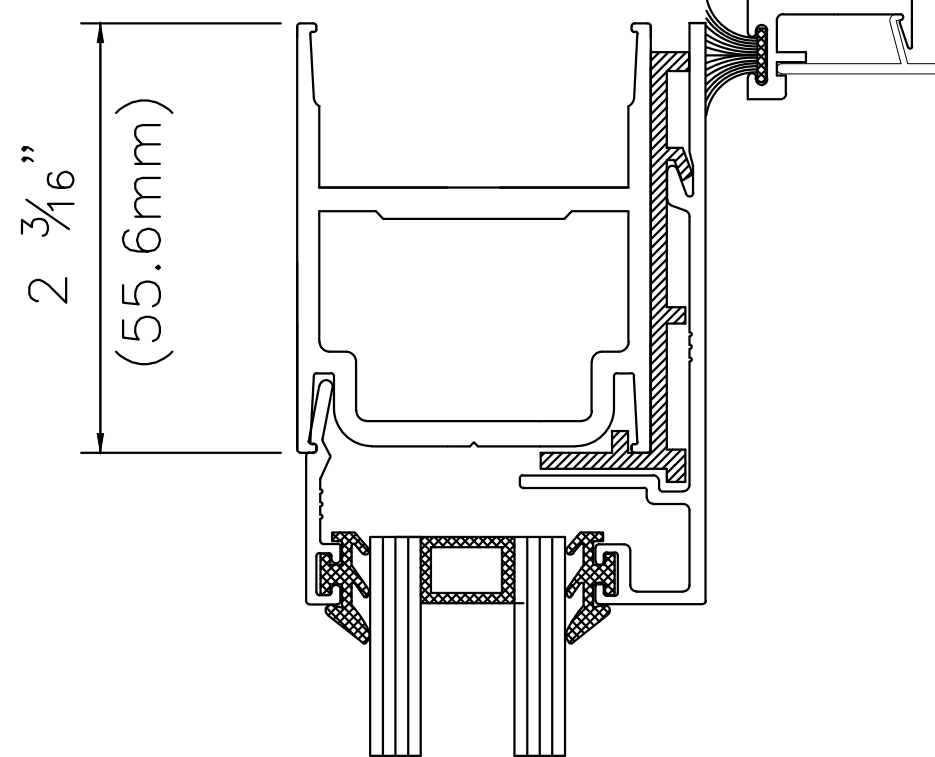
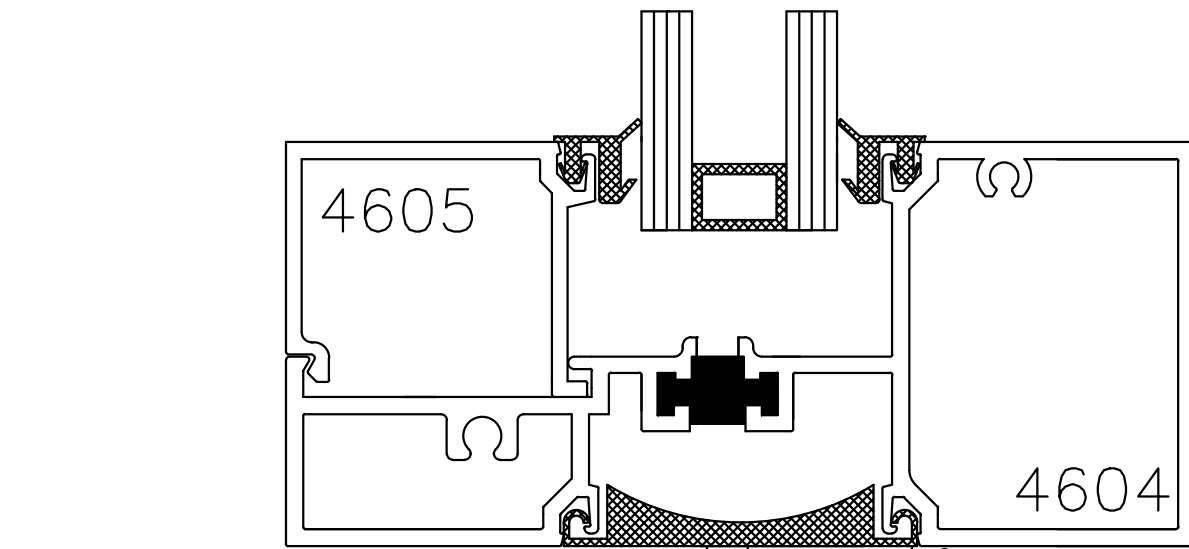
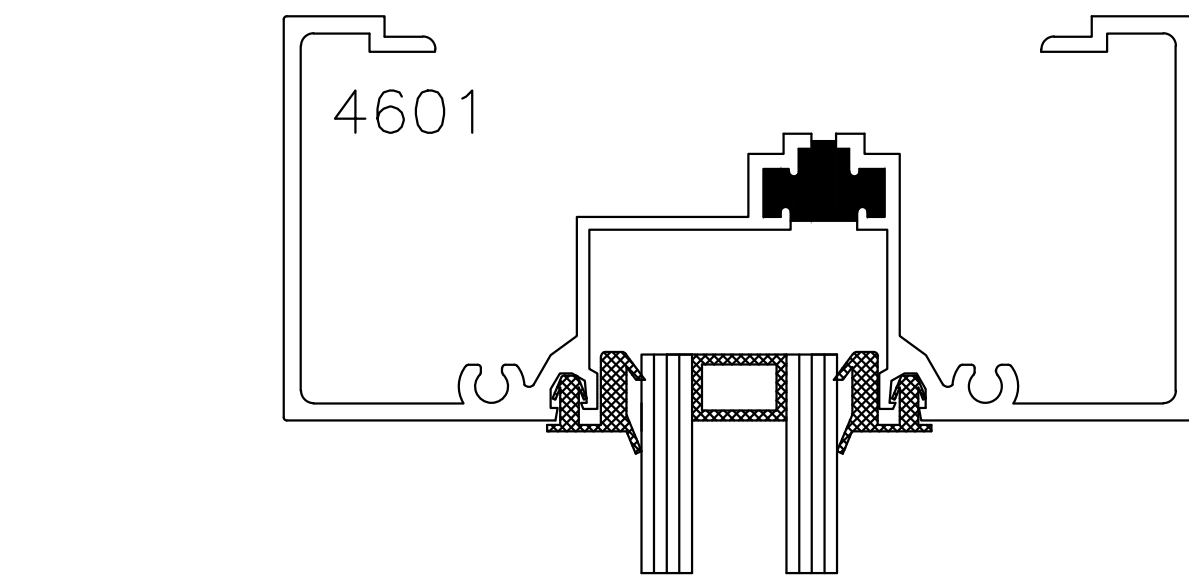
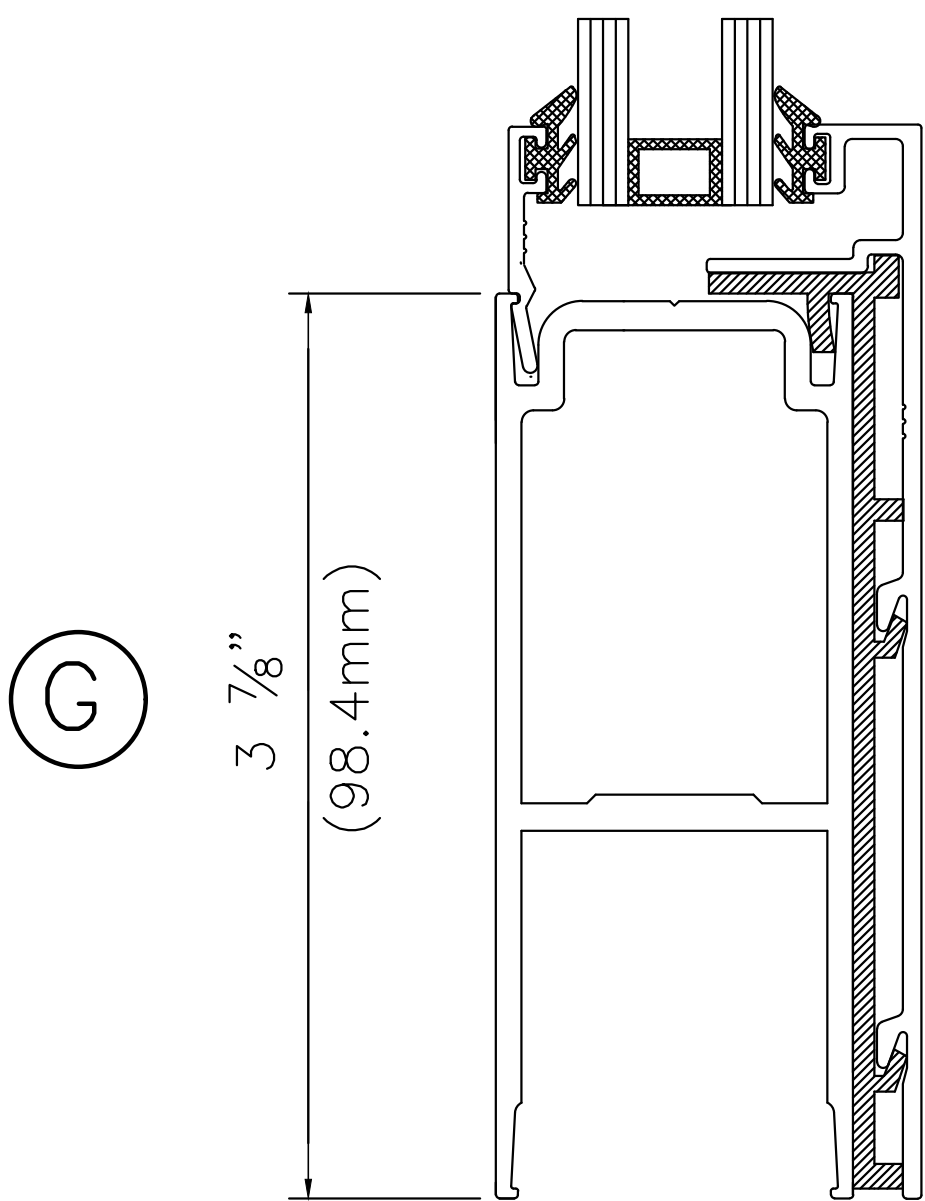
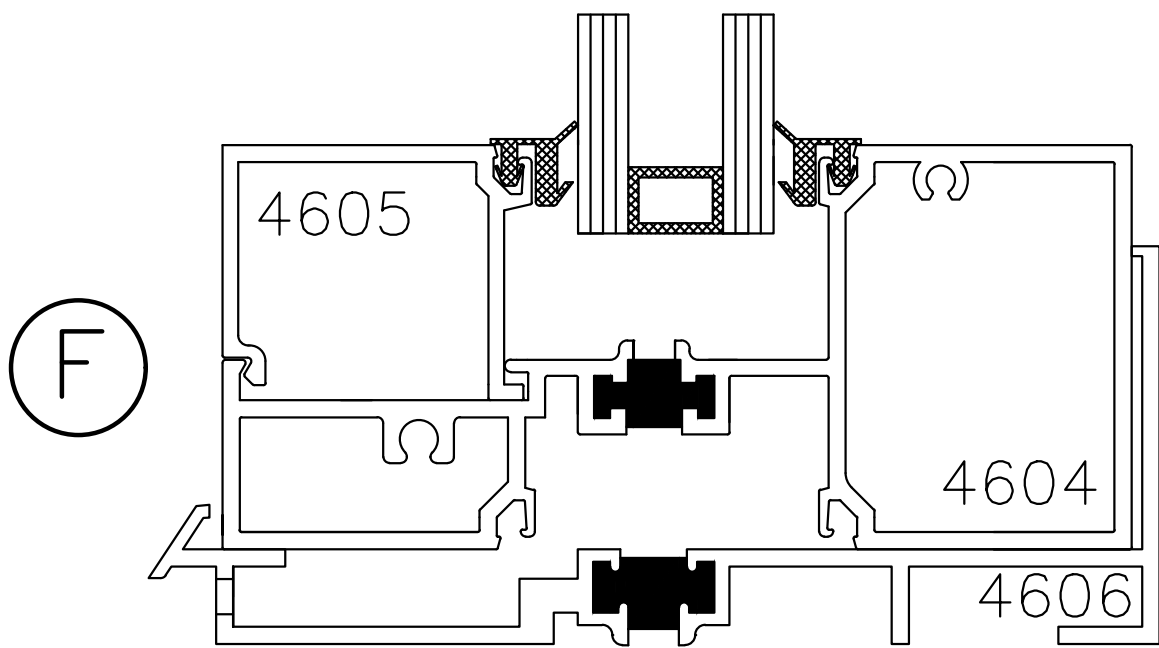
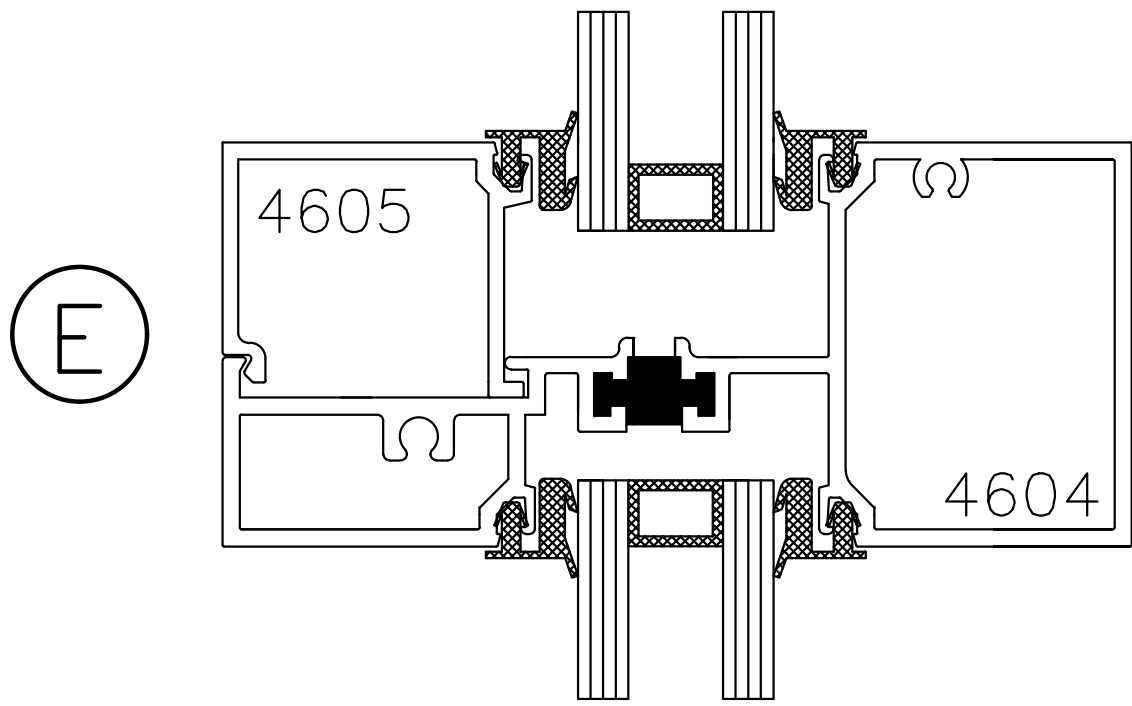


**COMMERCIAL DESIGN
SYSTEMS INC.**

DATE: AUGUST 2014
 TEL: (905) 738-0188
 FAX: (905) 738-6132
 E-MAIL: CDS2009@BELLNET.CA

PAGE:
C10

460 ENTRANCE FRAMING 210 INSUL DOORS



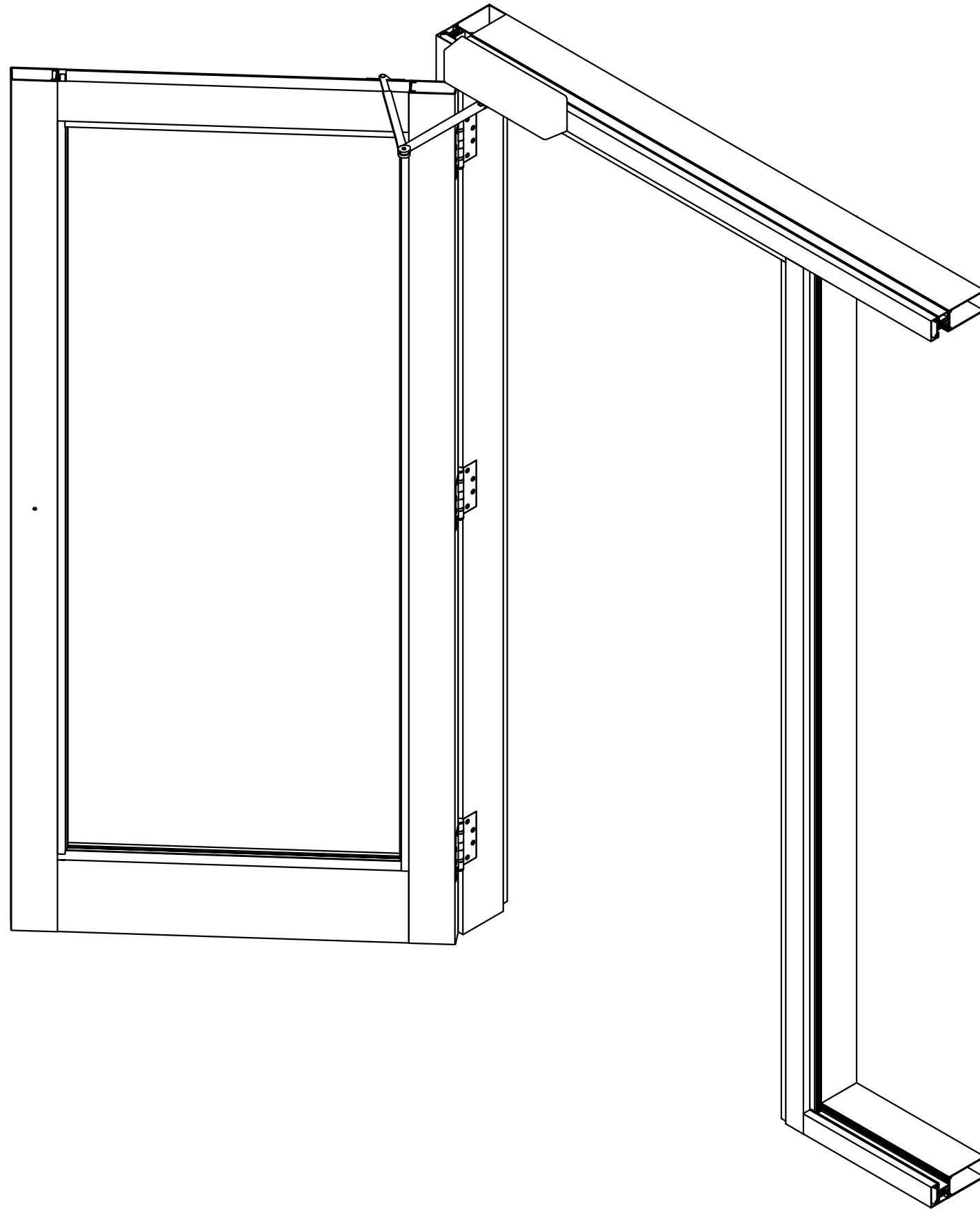
**COMMERCIAL DESIGN
SYSTEMS INC.**

DATE: AUGUST 2014
 TEL: (905) 738-0188
 FAX: (905) 738-6132
 E-MAIL: CDS2009@BELLNET.CA

PAGE:

C 11

2000 CURTAIN WALL INFORMATION



DESCRIPTION:

IT IS A THERMALLY BROKEN SYSTEM. CURTAIN WALL DIMENSIONS ARE 2" IN WIDTH AND MULTIPLE OPTIONS IN HEIGHT.

FINISH:

STOCKED:

CLEAR ANODIZED (#17)
STANDARD BRONZE (#40)

NON-STOCKED*:

CLEAR ANODIZED (#14)
LIGHT BRONZE (#26)
BLACK ANODIZED (#29)

*PAINT FINISHES ARE AVAILABLE UPON REQUEST

STOCK LENGTH:

24'(7.31M)

GLAZING:

2000 CURTAIN WALL ACCEPTS 1"(6mm) AND $\frac{1}{4}$ " (6mm) GLAZING UNITS



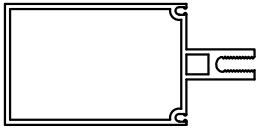


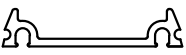
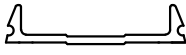
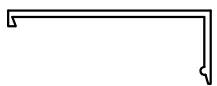
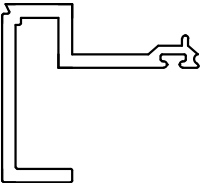
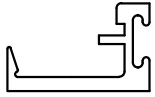
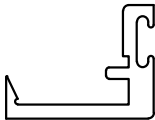
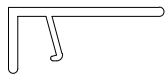
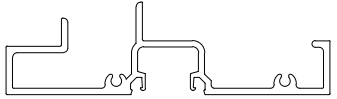
**COMMERCIAL DESIGN
SYSTEMS INC.**

DATE: AUGUST 2014
TEL: (905) 738-0188
FAX: (905) 738-6132
E-MAIL: CDS2009@BELLNET.CA

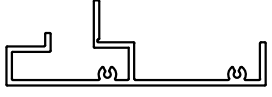
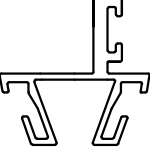
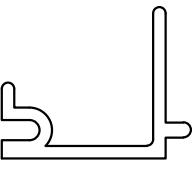
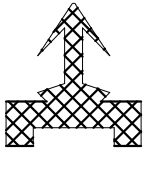

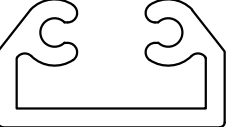
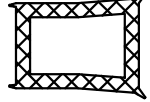
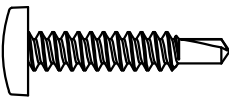
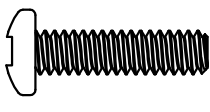
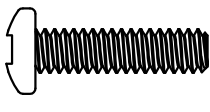
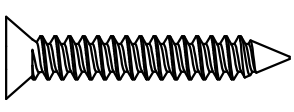
PAGE:

A1

2000 SERIES CURTAIN WALL

PART	PART NO	DESCRIPTION	FINISH
	2001	MULLION 2" X 3" (50.8mm x 76.2mm) 24' (7.3M)	STOCKED CLEAR ANODIZED(2) STANDARD BRONZED ANODIZED(3)
			NOT STOCKED LIGHT BRONZED ANODIZED(5) BLACK ANODIZED(6)
	2002	MULLION 2" X 4" (50.8mm x 101.6mm) 24' (7.3M)	STOCKED CLEAR ANODIZED(2) STANDARD BRONZED ANODIZED(3)
			NOT STOCKED LIGHT BRONZED ANODIZED(5) BLACK ANODIZED(6)
	2004	SNAP ON CAP 2" X 3/4"	STOCKED CLEAR ANODIZED(2) STANDARD BRONZED ANODIZED(3)
			NOT STOCKED LIGHT BRONZED ANODIZED(5) BLACK ANODIZED(6)
	2006	2" DRY SEAL PRESSURE PLATE	
	2007	2" WETGLAZE PRESSURE PLATE	
	2008	FLUSH DOOR ADAPTOR CAP	STOCKED CLEAR ANODIZED(2) STANDARD BRONZED ANODIZED(3)
			NOT STOCKED LIGHT BRONZED ANODIZED(5) BLACK ANODIZED(6)
	2009	FLUSH DOOR ADAPTOR BASE	STOCKED CLEAR ANODIZED(2) STANDARD BRONZED ANODIZED(3)
			NOT STOCKED LIGHT BRONZED ANODIZED(5) BLACK ANODIZED(6)
	2011	2 PIECE DOOR STOP 1/2" X 13/16" BASE	STOCKED CLEAR ANODIZED(2) STANDARD BRONZED ANODIZED(3)
			NOT STOCKED LIGHT BRONZED ANODIZED(5) BLACK ANODIZED(6)
	2012	2 PIECE DOOR STOP 11/16" X 13/16" BASE	STOCKED CLEAR ANODIZED(2) STANDARD BRONZED ANODIZED(3)
			NOT STOCKED LIGHT BRONZED ANODIZED(5) BLACK ANODIZED(6)
	2013	COVER FOR 2 PIECE DOOR STOP 1/2" X 11/16"	STOCKED CLEAR ANODIZED(2) STANDARD BRONZED ANODIZED(3)
			NOT STOCKED LIGHT BRONZED ANODIZED(5) BLACK ANODIZED(6)
	2016	DOOR ADAPTOR FOR BLADE STOPS	STOCKED CLEAR ANODIZED(2) STANDARD BRONZED ANODIZED(3)
			NOT STOCKED LIGHT BRONZED ANODIZED(5) BLACK ANODIZED(6)

2000 SERIES CURTAIN WALL

PART	PART NO	DESCRIPTION	FINISH
	2017	DOOR ADAPTOR FOR TWO PIECE DOOR STOP	STOCKED CLEAR ANNOXIDIZED(2) STANDARD BRONZED ANNOXIDIZED(3)
			NOT STOCKED LIGHT BRONZED ANNOXIDIZED(5) BLACK ANNOXIDIZED(6)
	4510	BLADE DOOR STOP 7.3 (24' - 0")	STOCKED CLEAR ANNOXIDIZED(2) STANDARD BRONZED ANNOXIDIZED(3)
			NOT STOCKED LIGHT BRONZED ANNOXIDIZED(5) BLACK ANNOXIDIZED(6)
	2512	SINGLE GLAZING CURTAIN WALL ADAPTOR 1/4"	STOCKED CLEAR ANNOXIDIZED(2) STANDARD BRONZED ANNOXIDIZED(3)
			NOT STOCKED LIGHT BRONZED ANNOXIDIZED(5) BLACK ANNOXIDIZED(6)
	R2002	THERMAL BREAK FOR 2" CURTAIN WALL	
	R2007	POCKET FILLER 3/4" X 1 1/8"	
	H2001	SPIGOT FOR 2" X 3" CURTAIN WALL	
	H2002	SPIGOT FOR 2" X 4" CURTAIN WALL	
	H2006	CORNER PLUG	
	H2514	#10 x 3/4" SPIGOT SCREW	
	H2515	1/4"-20 X 3/4" PRESSURE PLATE SCREW	
	H2515 -S	1/4"-20 X 3/4" S.S PRESSURE PLATE SCREW	
	H2516	#10 X 1 1/4" SELF-TAPPING SCREWS	



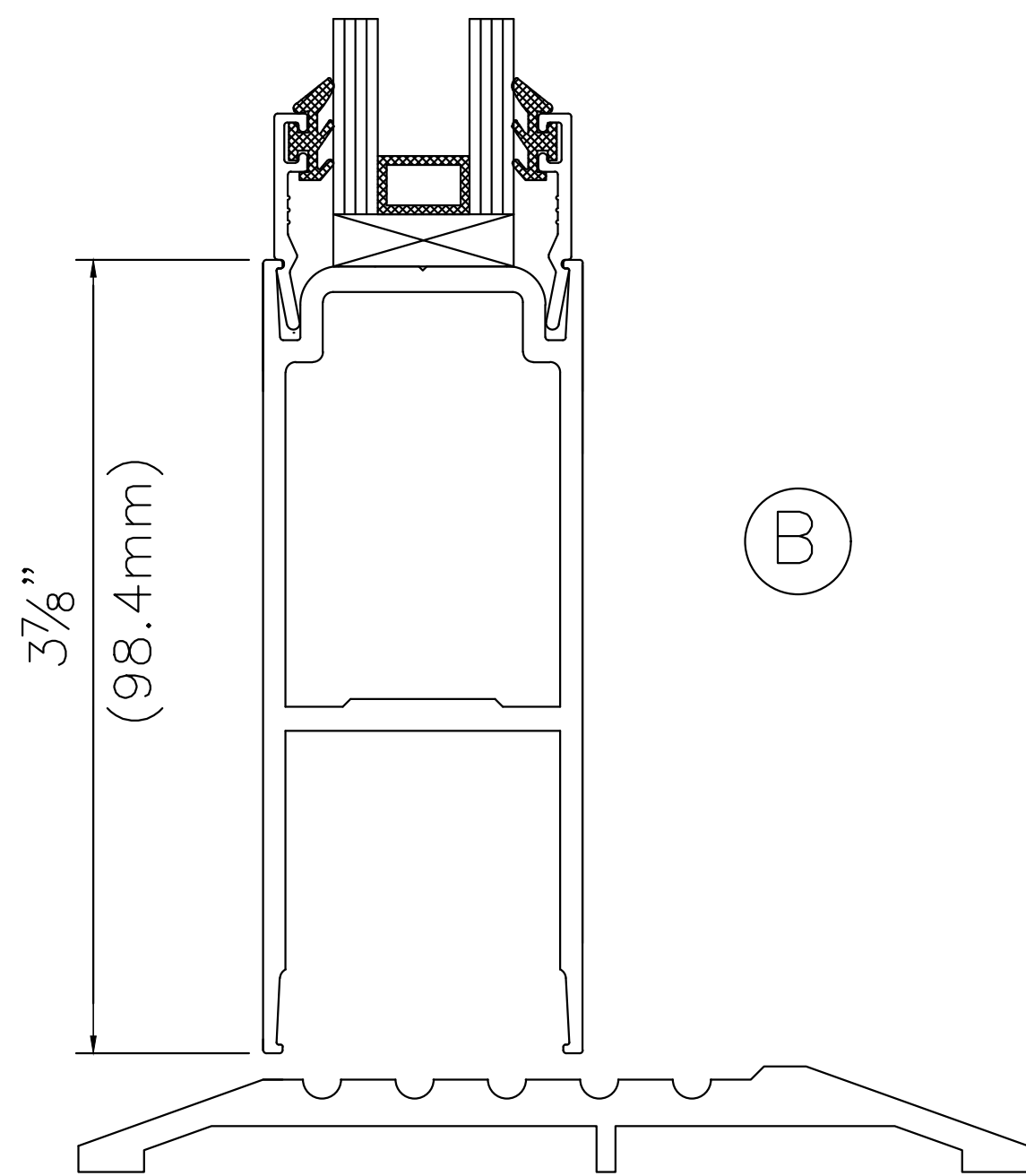
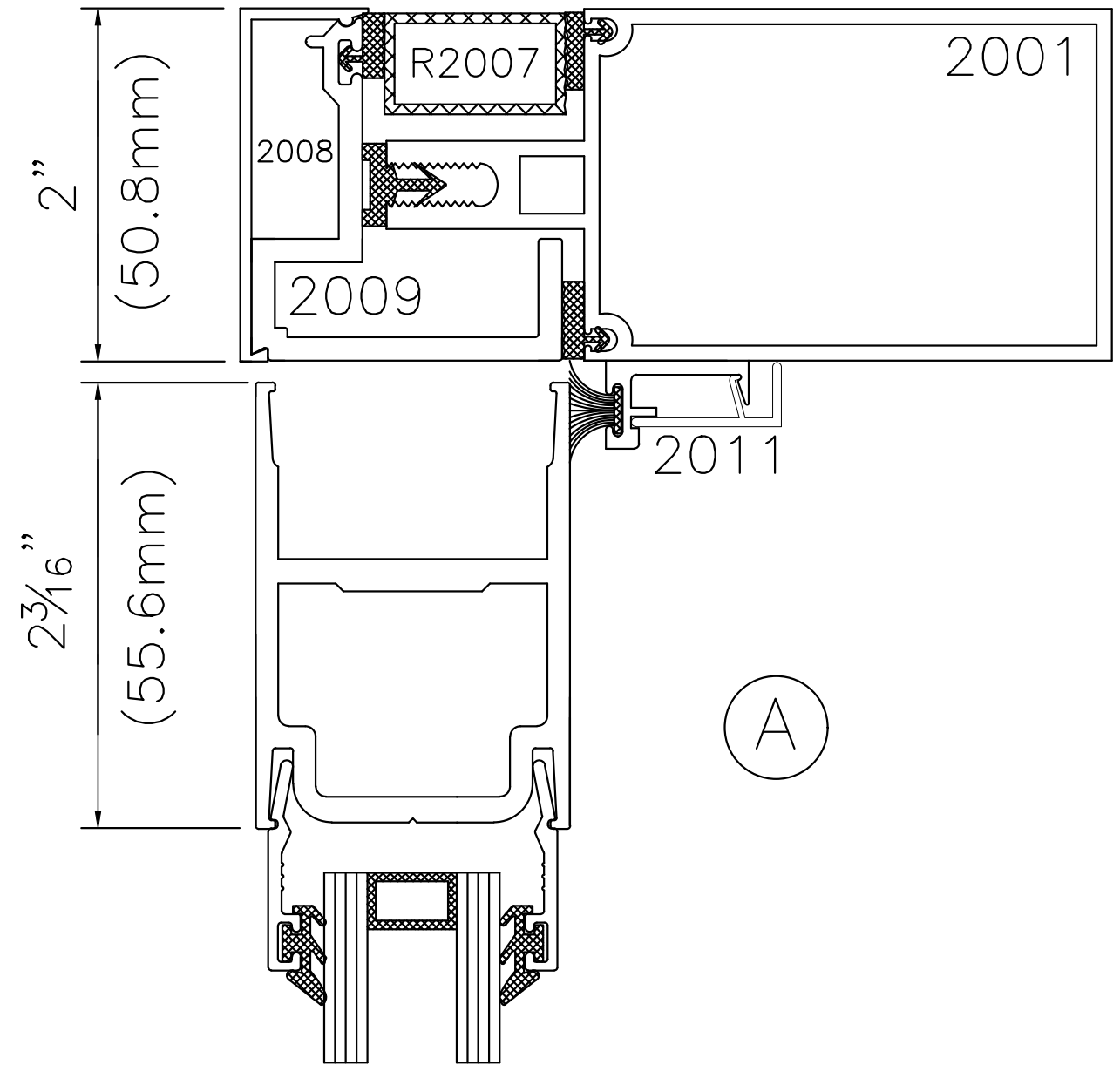
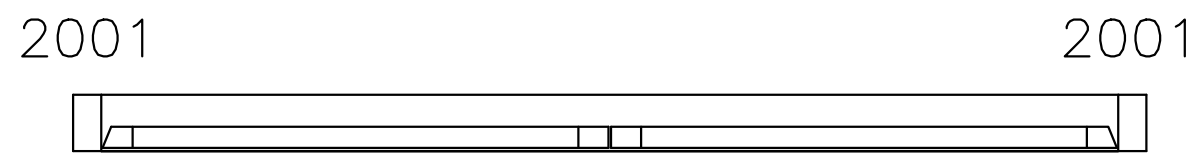
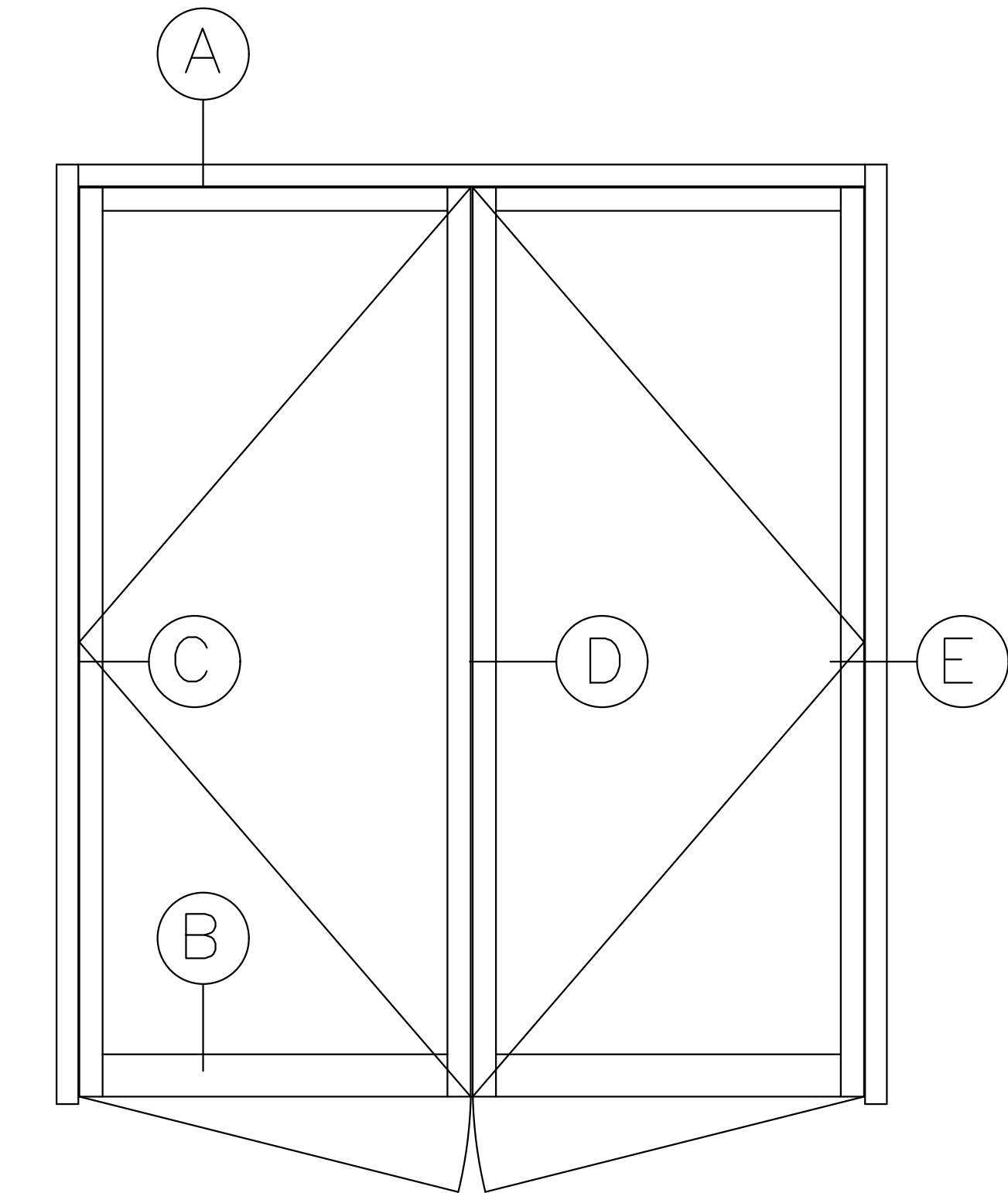
**COMMERCIAL DESIGN
SYSTEMS INC.**

DATE: APRIL 2016
 TEL: (905) 738-0188
 FAX: (905) 738-6132
 E-MAIL: CDS2009@BELLNET.CA

PAGE:

A3

2000 SERIES CURTAIN WALL (2"X3") WITH STANDARD DOOR



**COMMERCIAL DESIGN
SYSTEMS INC.**

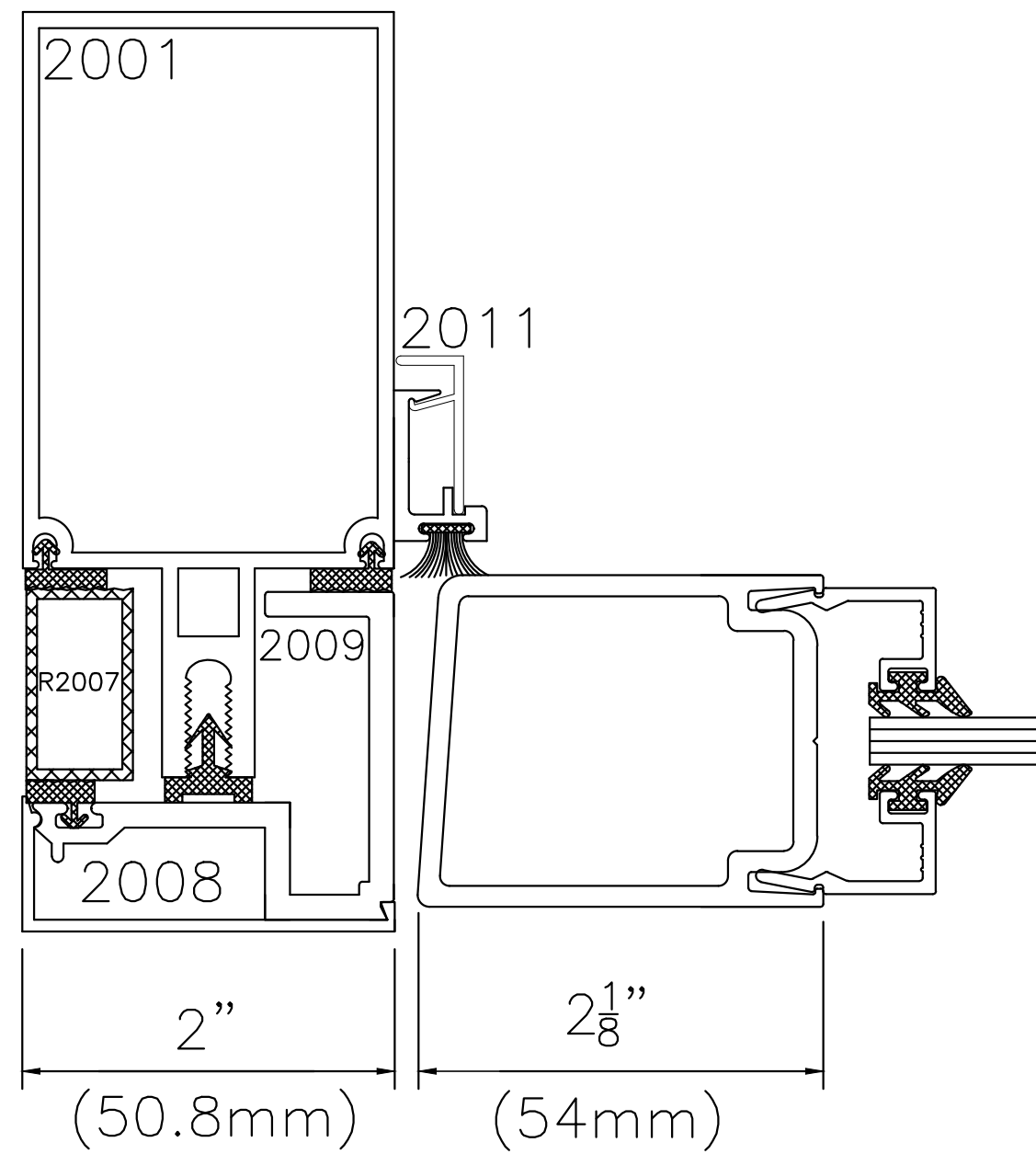
DATE: AUGUST 2014
 TEL: (905) 738-0188
 FAX: (905) 738-6132
 E-MAIL: CDS2009@BELLNET.CA

PAGE:

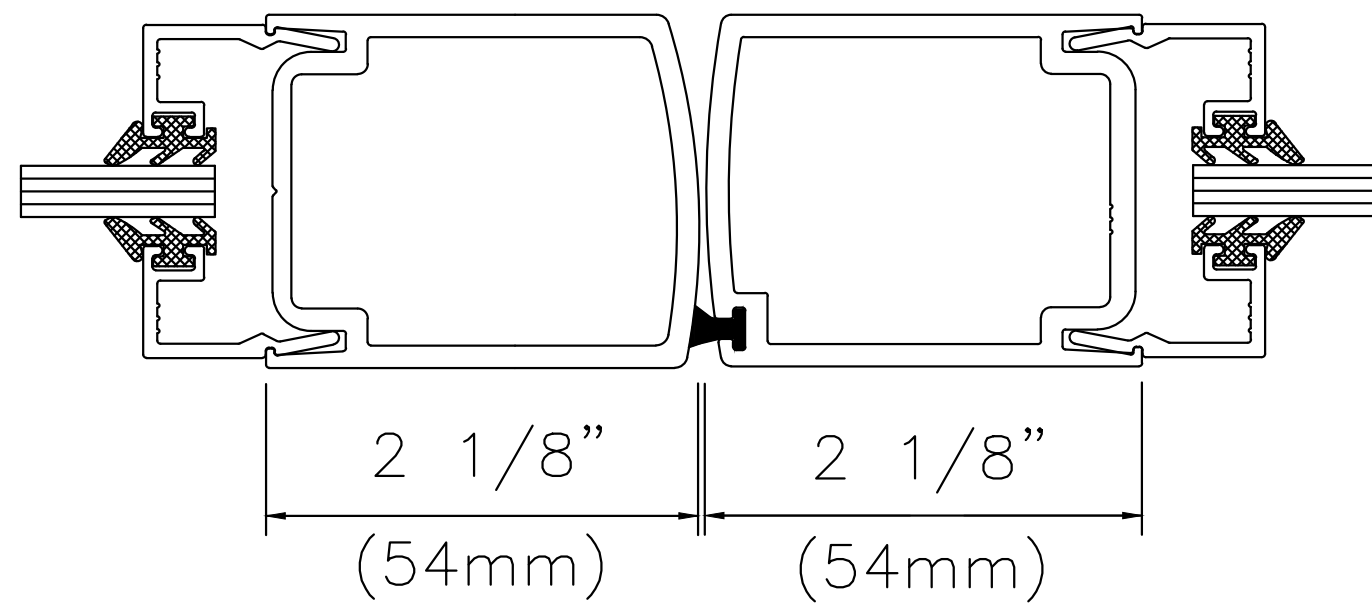
A4

2000 SERIES CURTAIN WALL (2"X3") WITH STANDARD DOOR

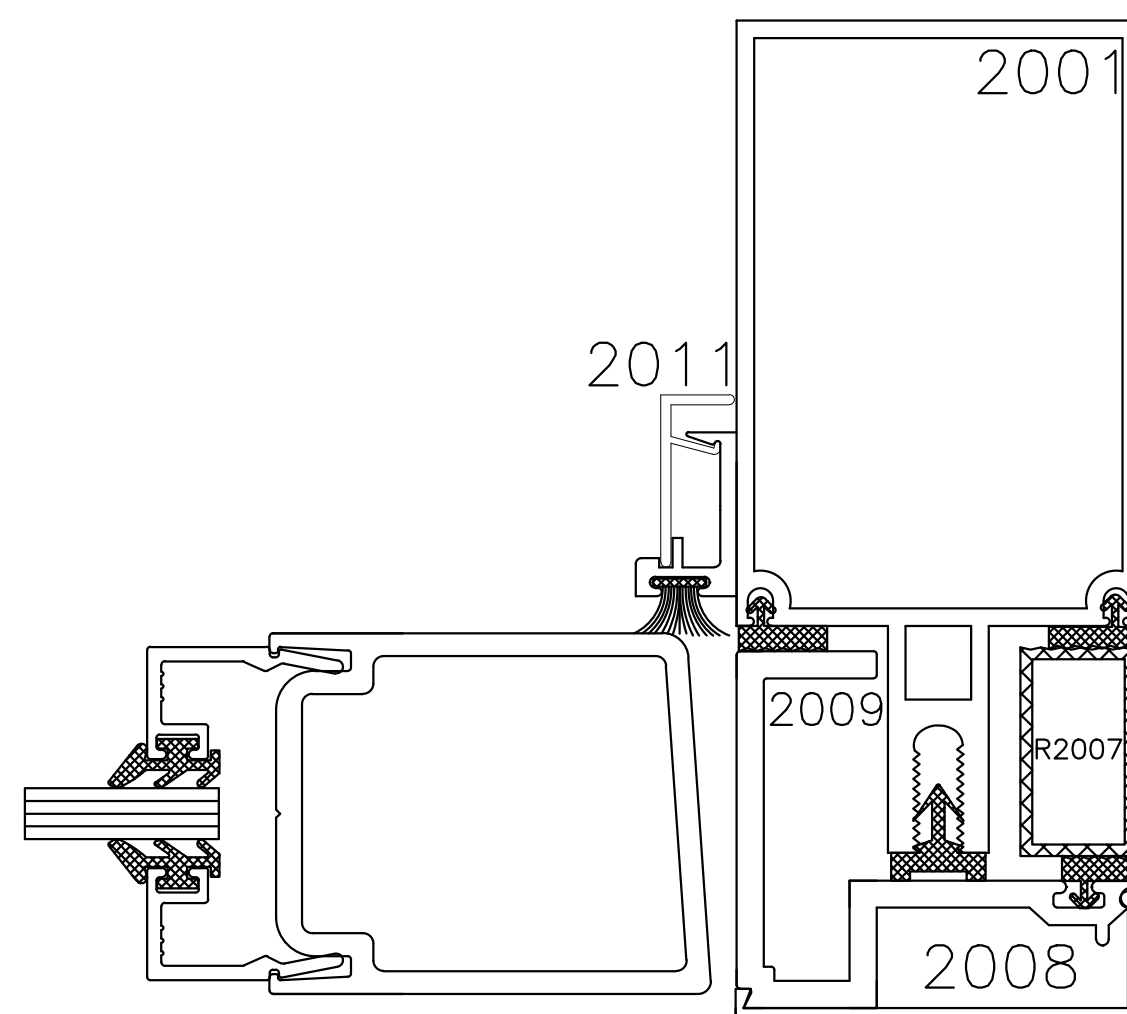
Ⓒ



Ⓓ



Ⓔ



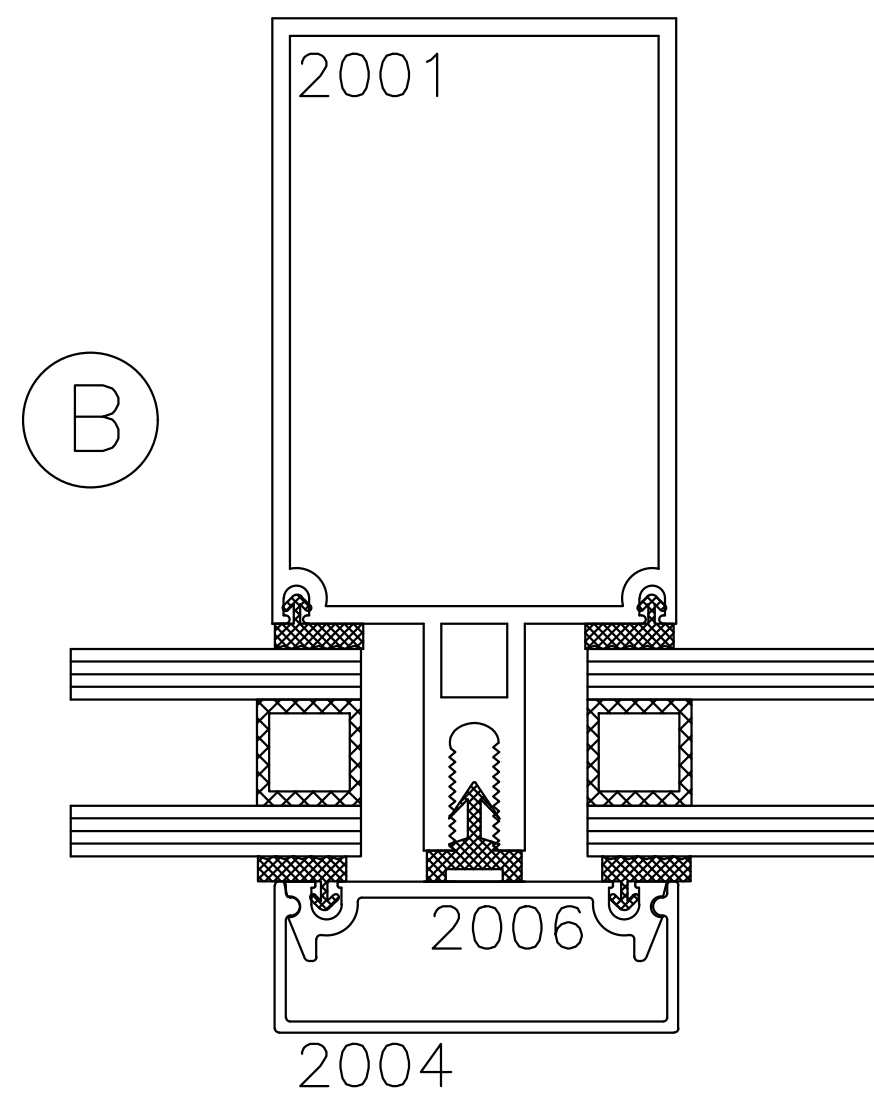
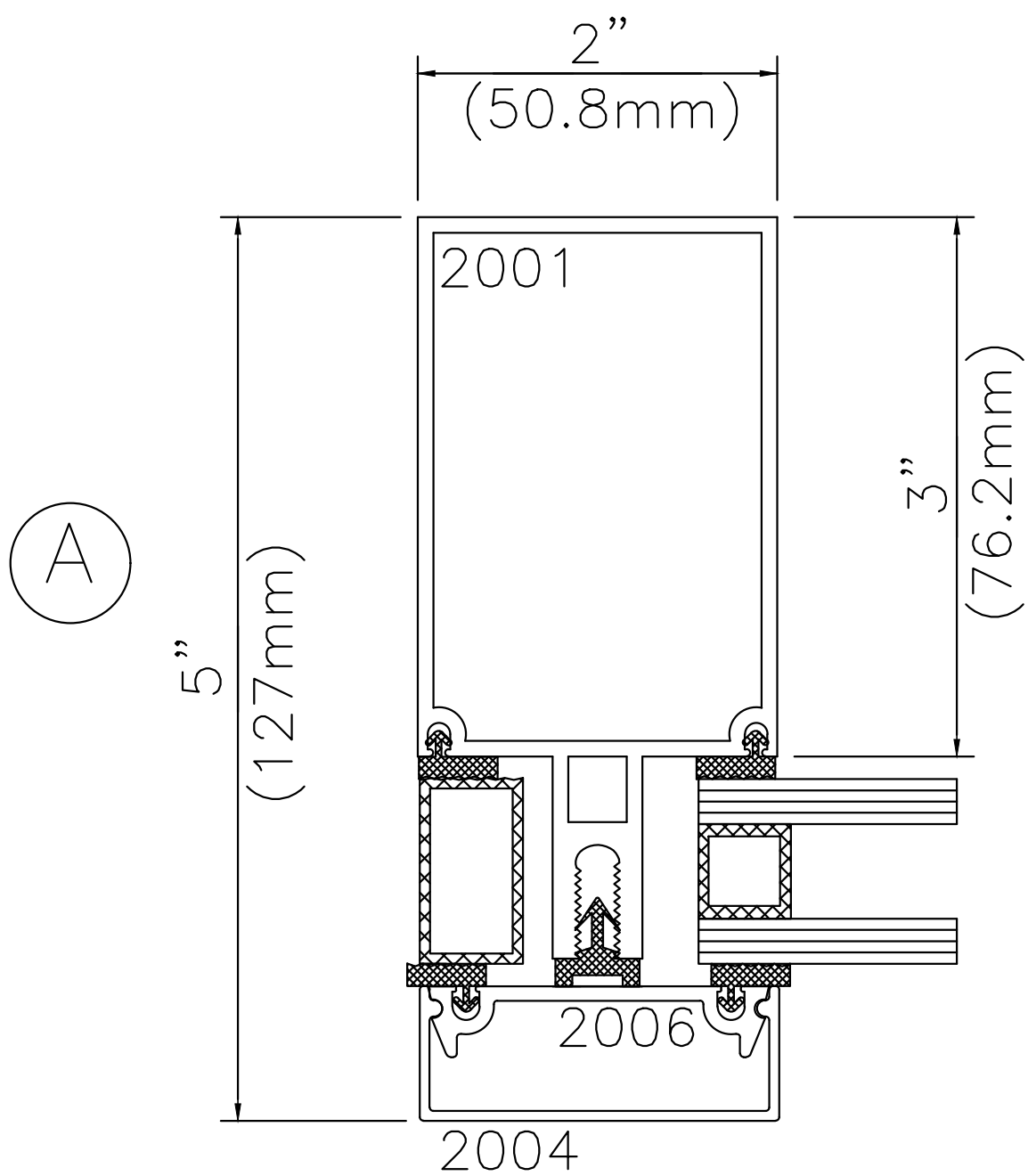
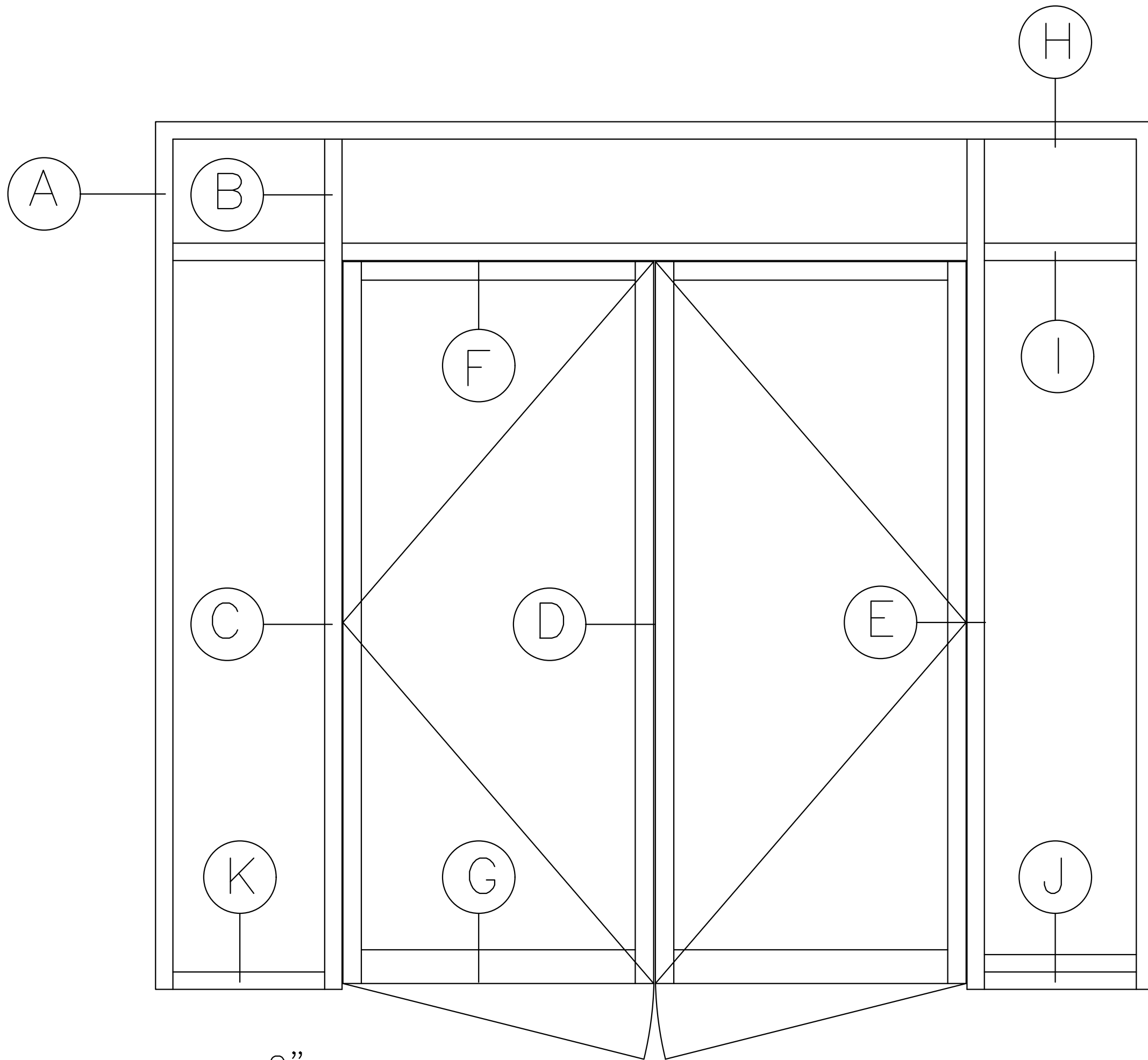
**COMMERCIAL DESIGN
SYSTEMS INC.**

DATE: AUGUST 2014
 TEL: (905) 738-0188
 FAX: (905) 738-6132
 E-MAIL: CDS2009@BELLNET.CA

PAGE:

A5

2000 SERIES CURTAIN WALL



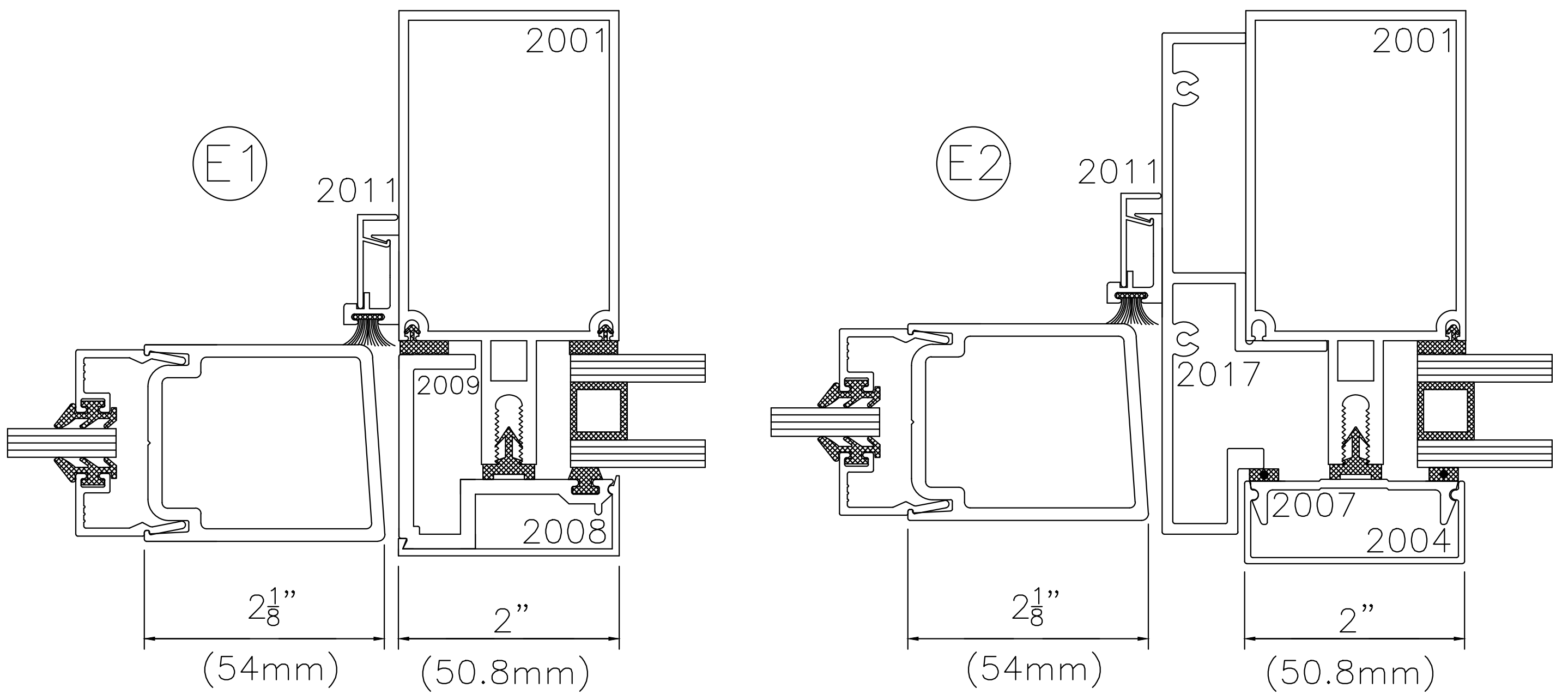
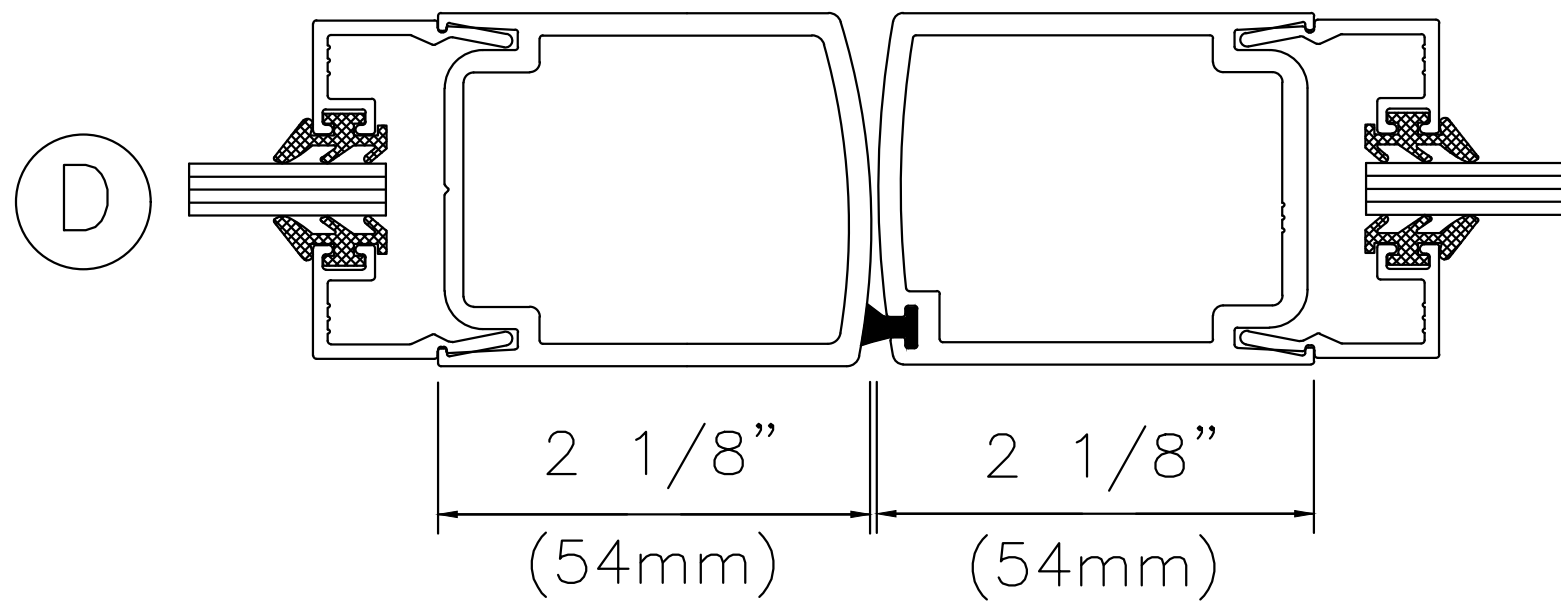
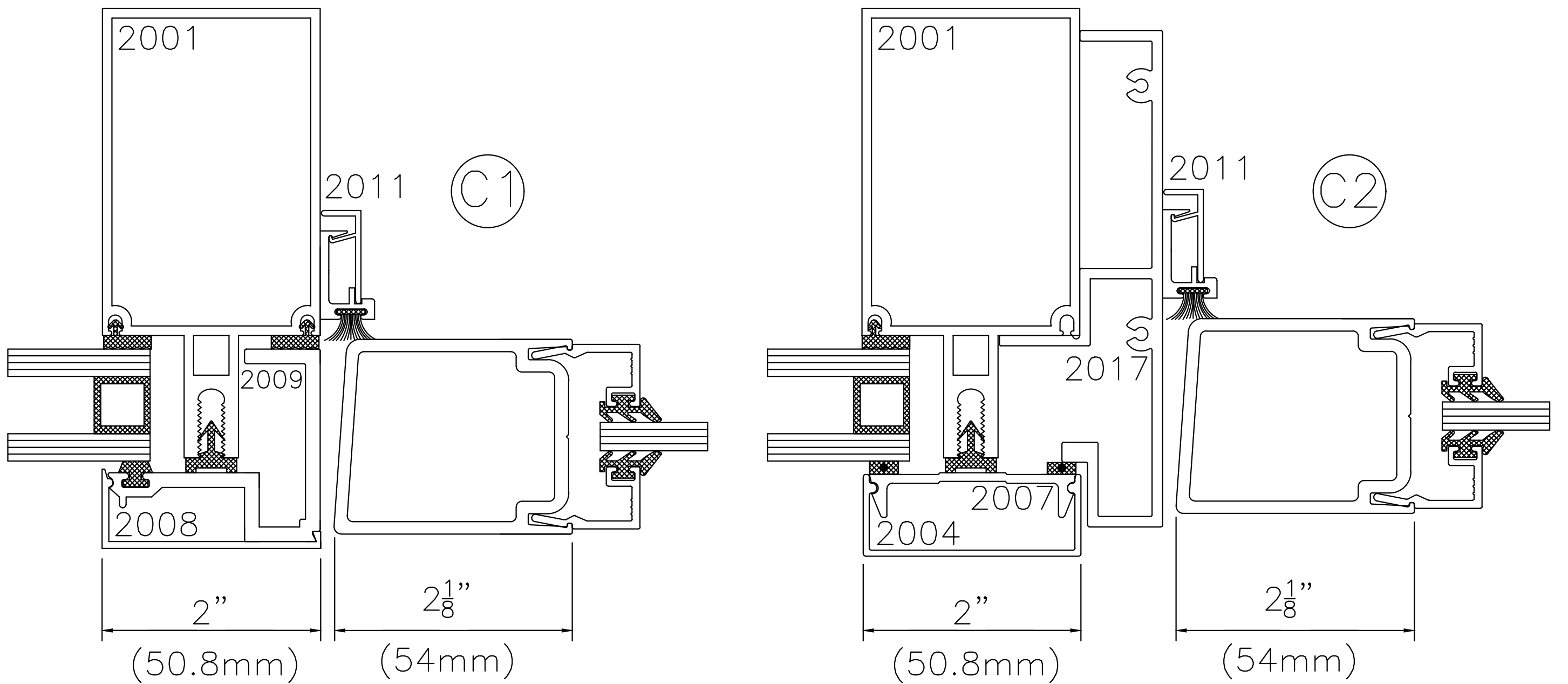
**COMMERCIAL DESIGN
SYSTEMS INC.**

DATE: AUGUST 2014
 TEL: (905) 738-0188
 FAX: (905) 738-6132
 E-MAIL: CDS2009@BELLNET.CA

PAGE:

A6

2000 CURTAIN WALL 210 DOORS



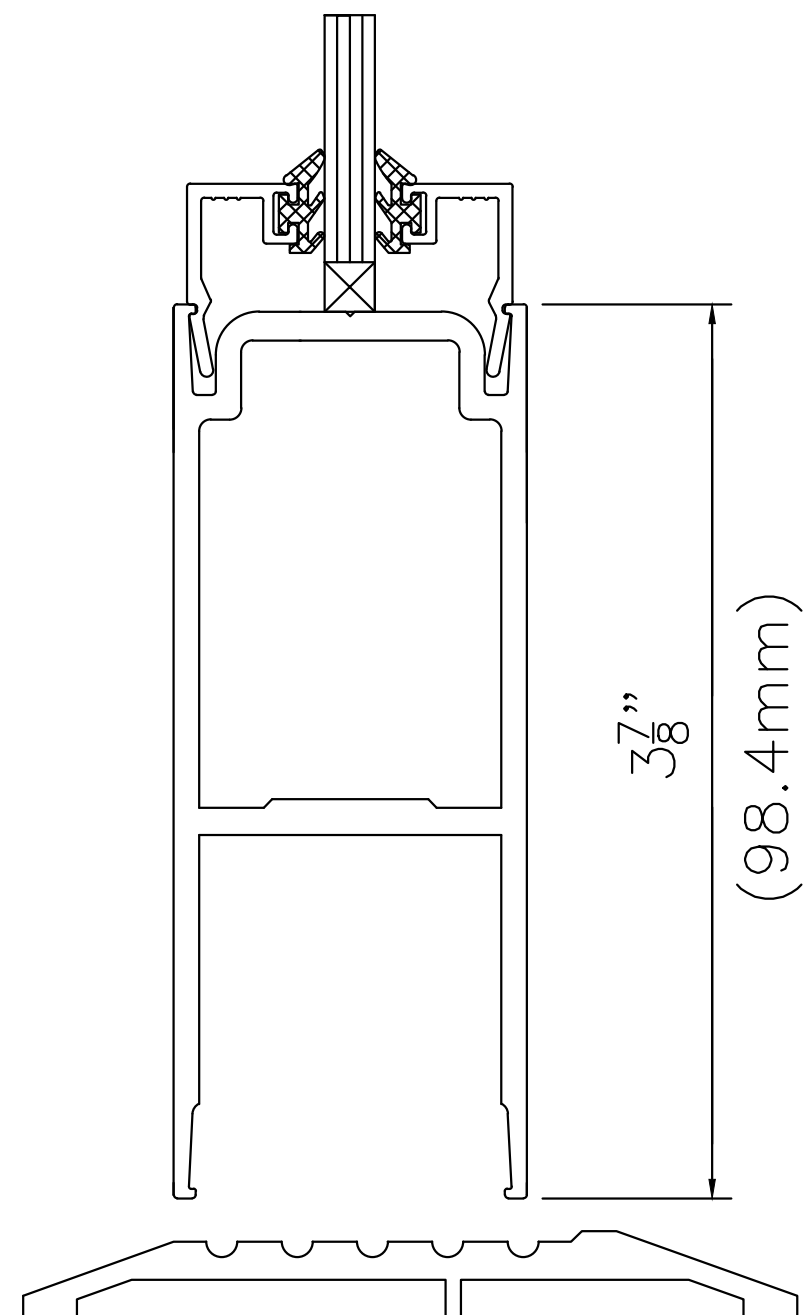
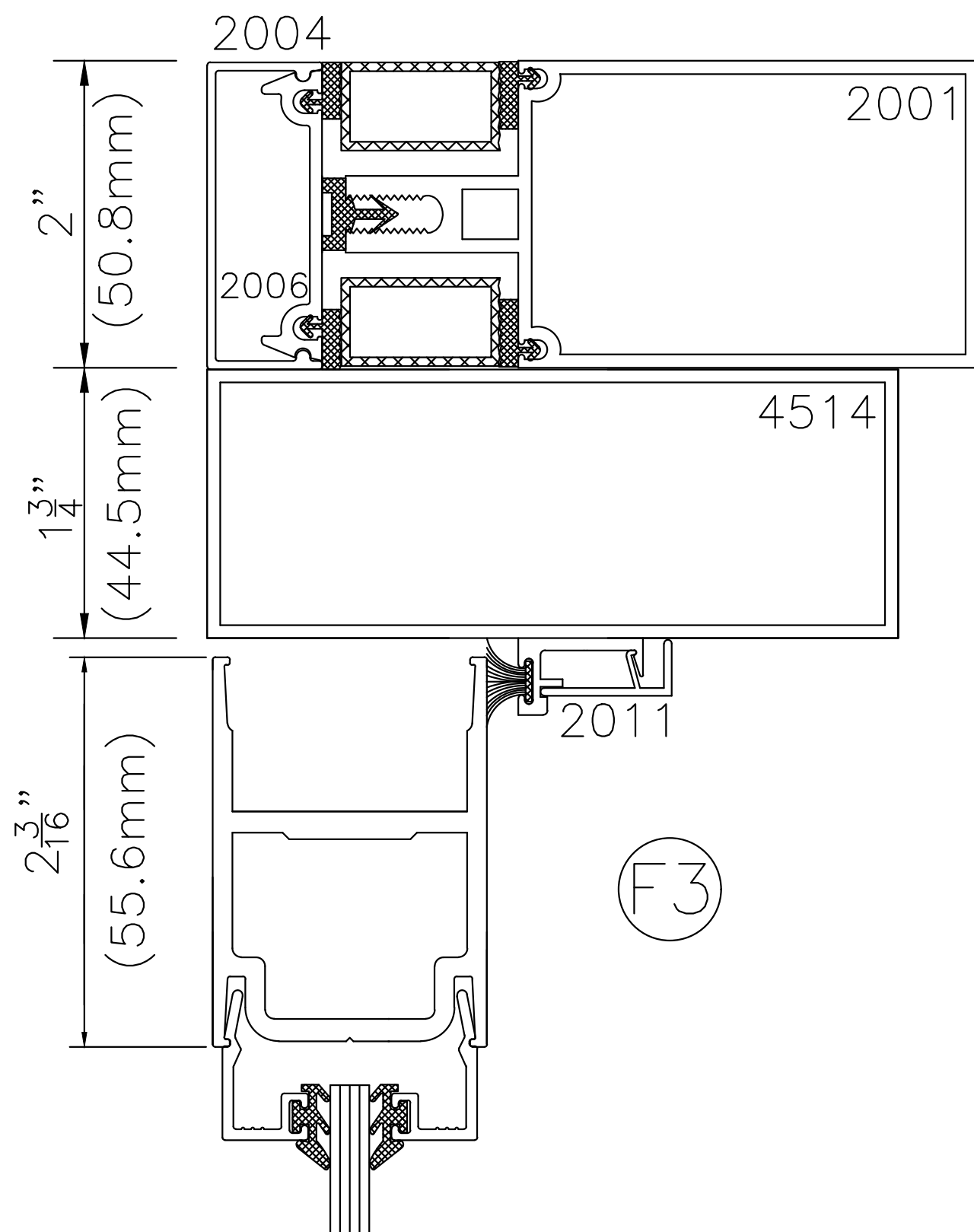
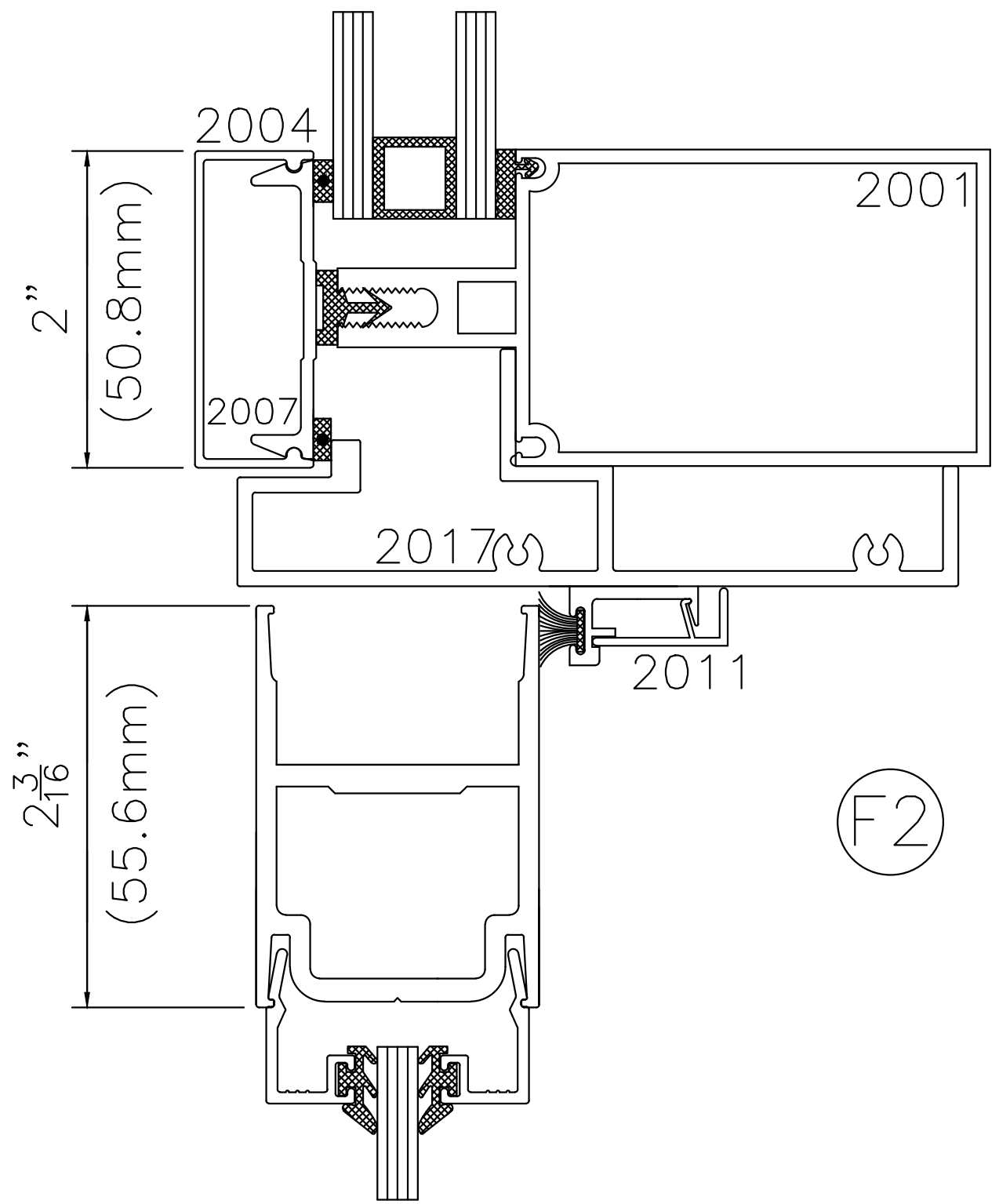
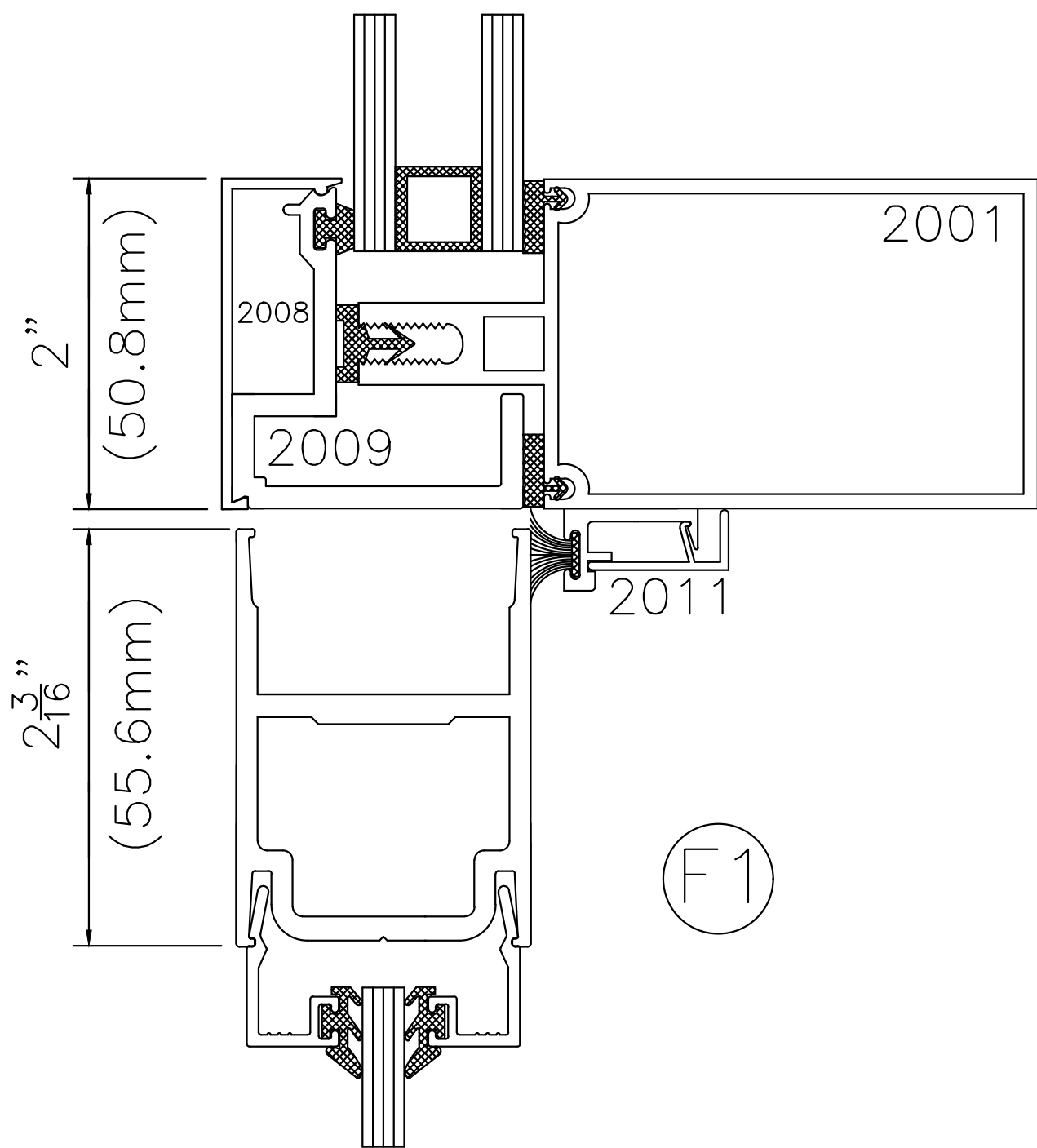
**COMMERCIAL DESIGN
SYSTEMS INC.**

DATE: AUGUST 2014
 TEL: (905) 738-0188
 FAX: (905) 738-6132
 E-MAIL: CDS2009@BELLNET.CA

PAGE:

A7

2000 CURTAIN WALL 210 DOORS



**COMMERCIAL DESIGN
SYSTEMS INC.**

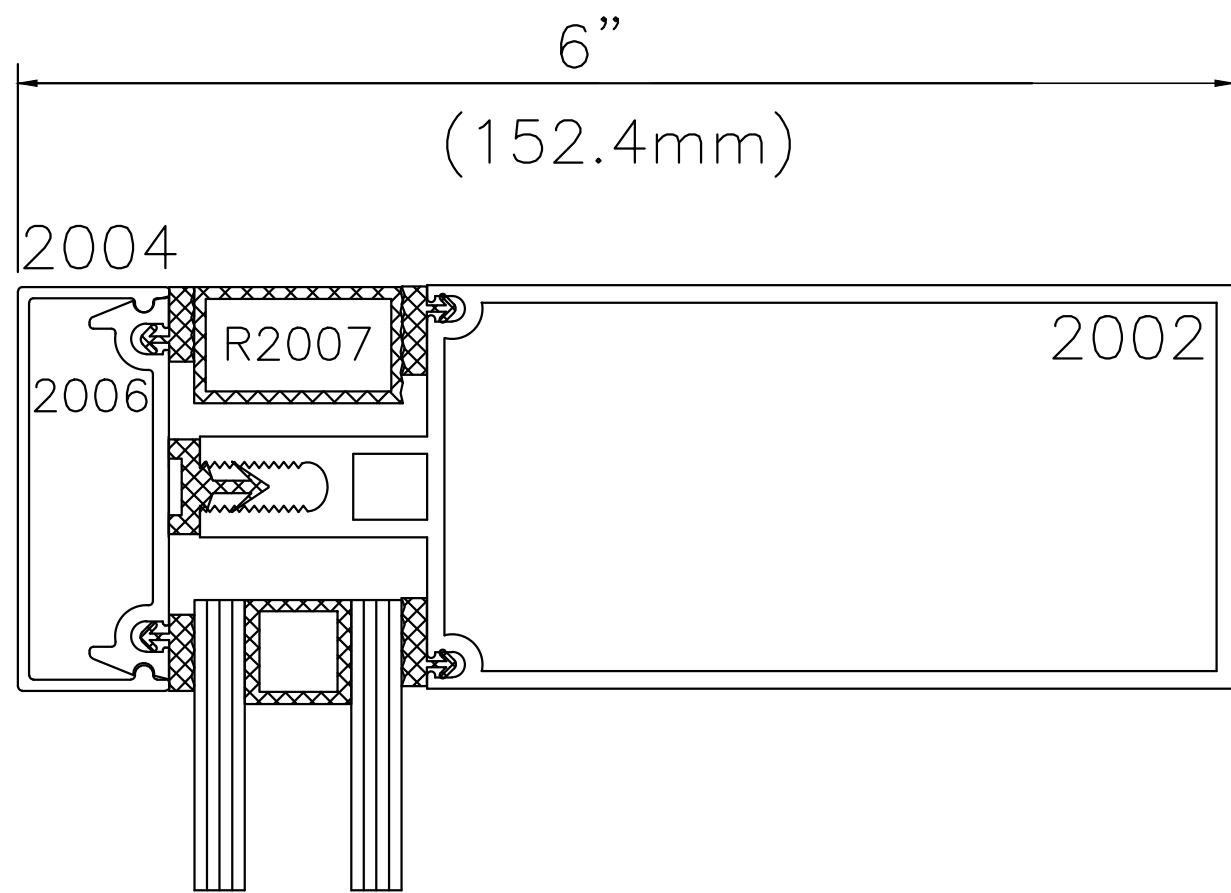
DATE: AUGUST 2014
TEL: (905) 738-0188
FAX: (905) 738-6132
E-MAIL: CDS2009@BELLNET.CA

PAGE:

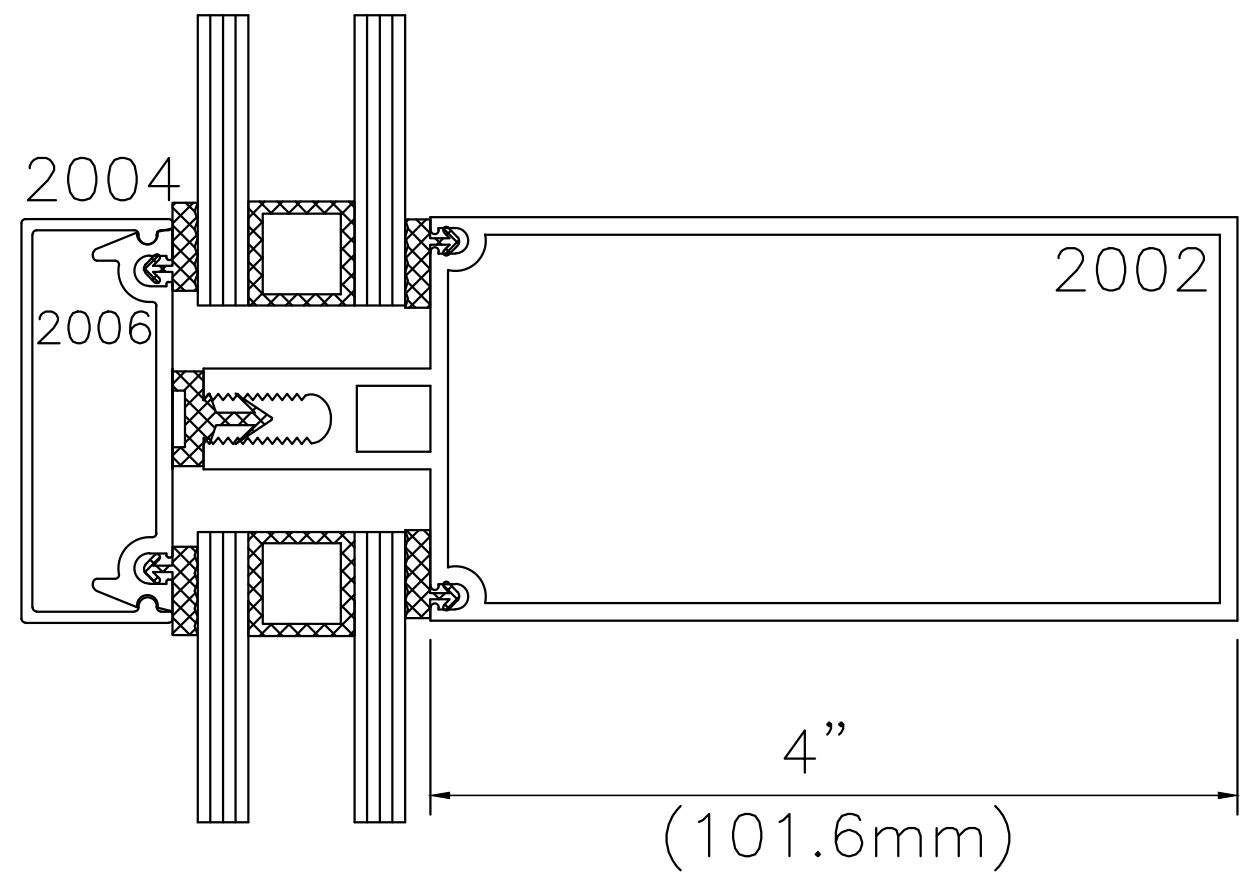
A8

2000 CURTAIN WALL WITH SEAL UNIT GLASS

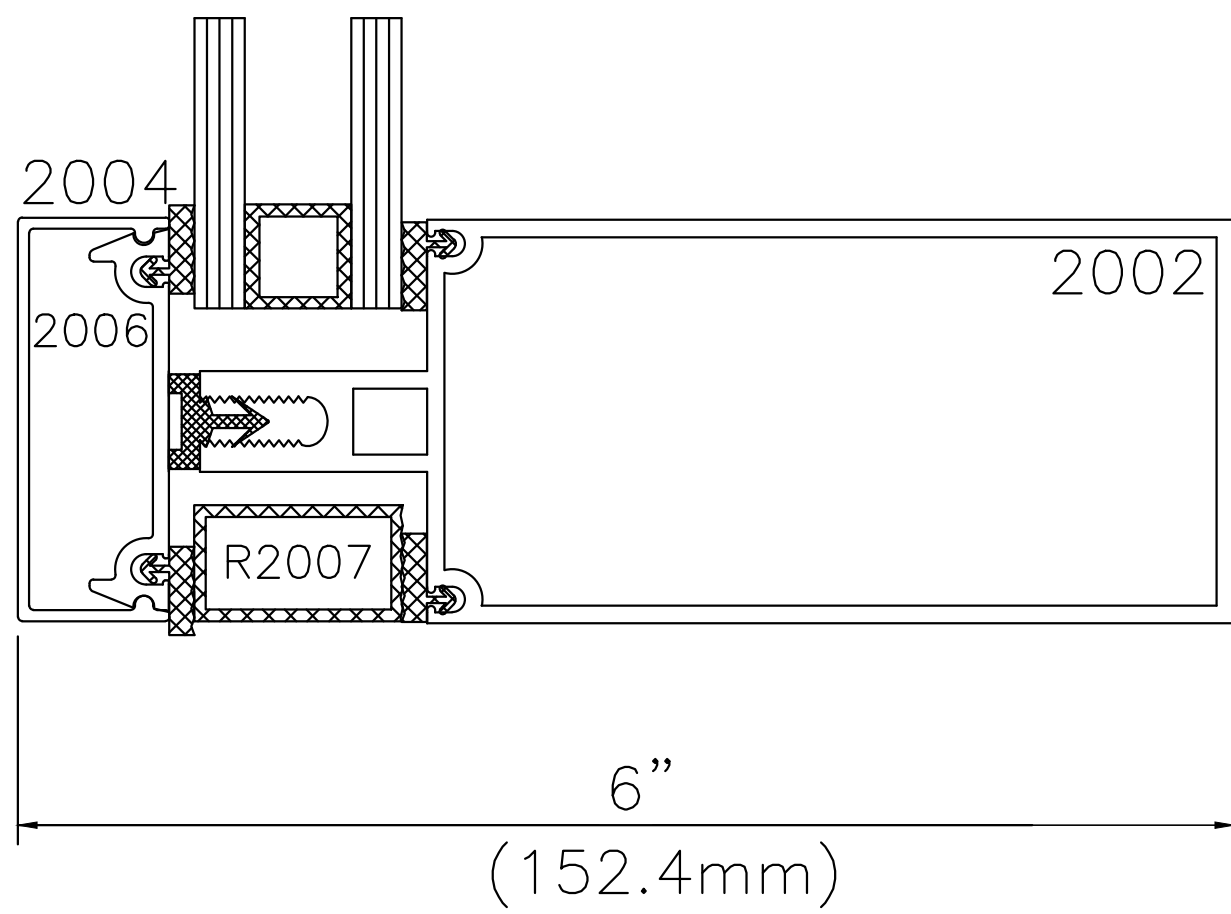
(H)



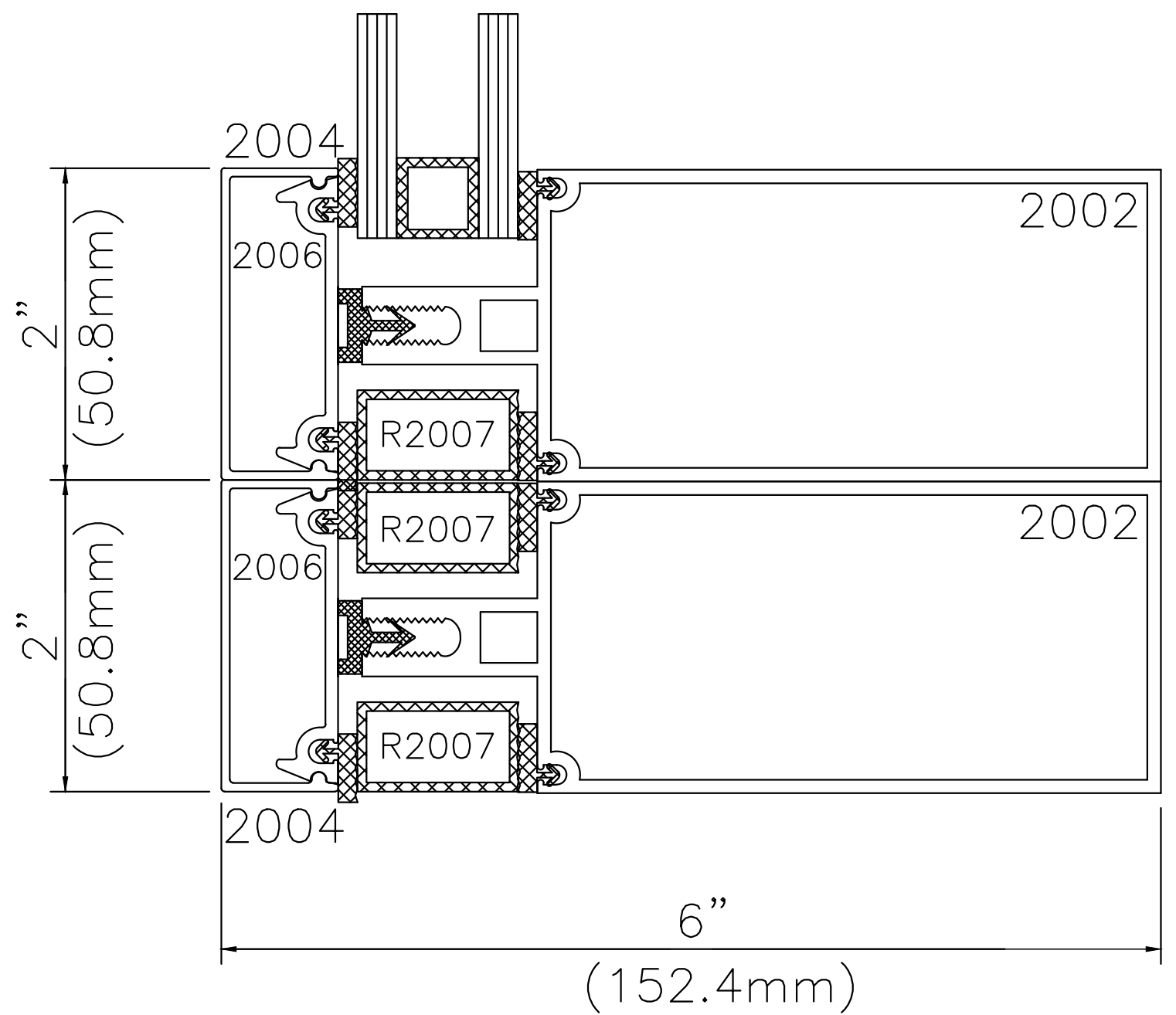
(I)



(J)



(K)



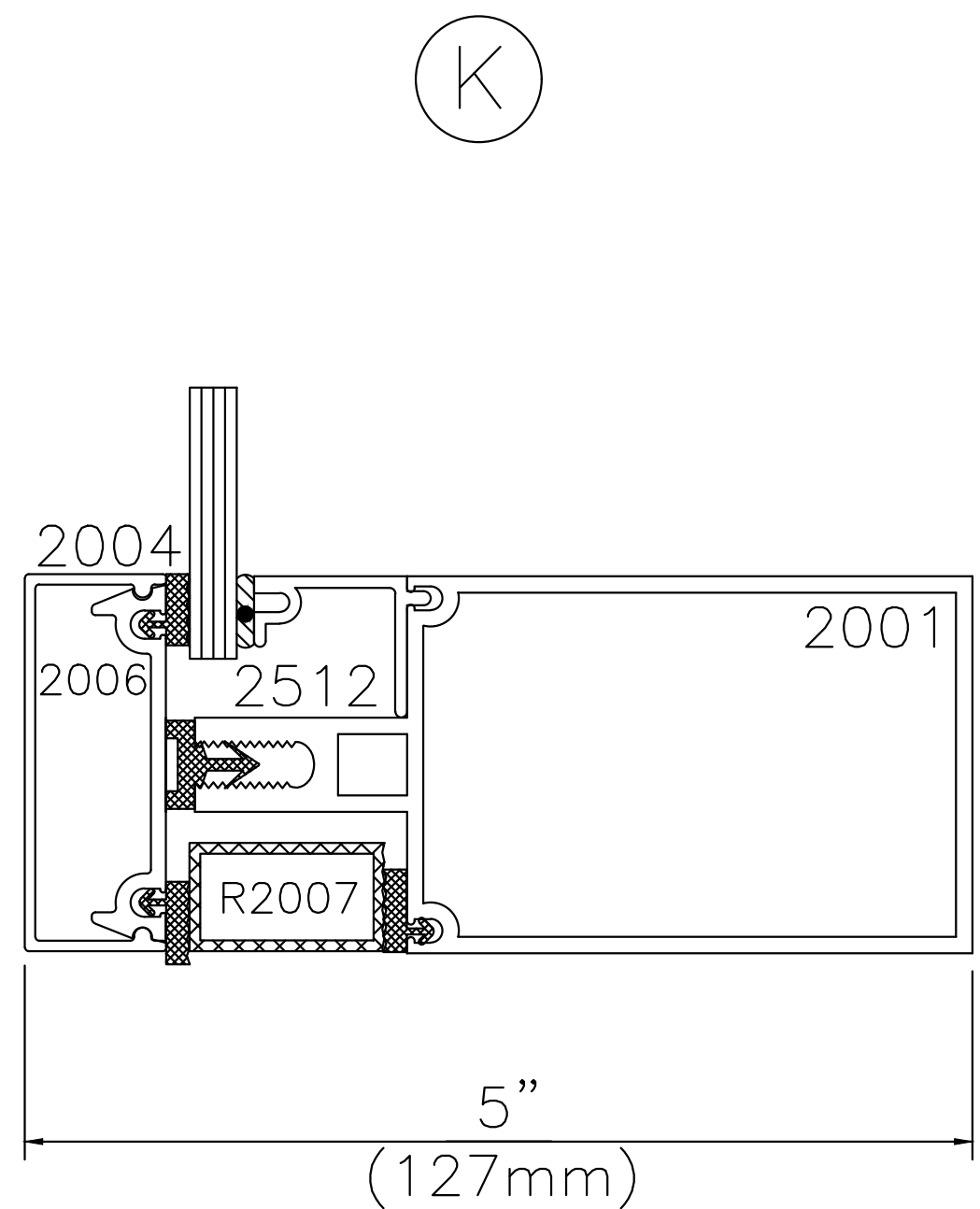
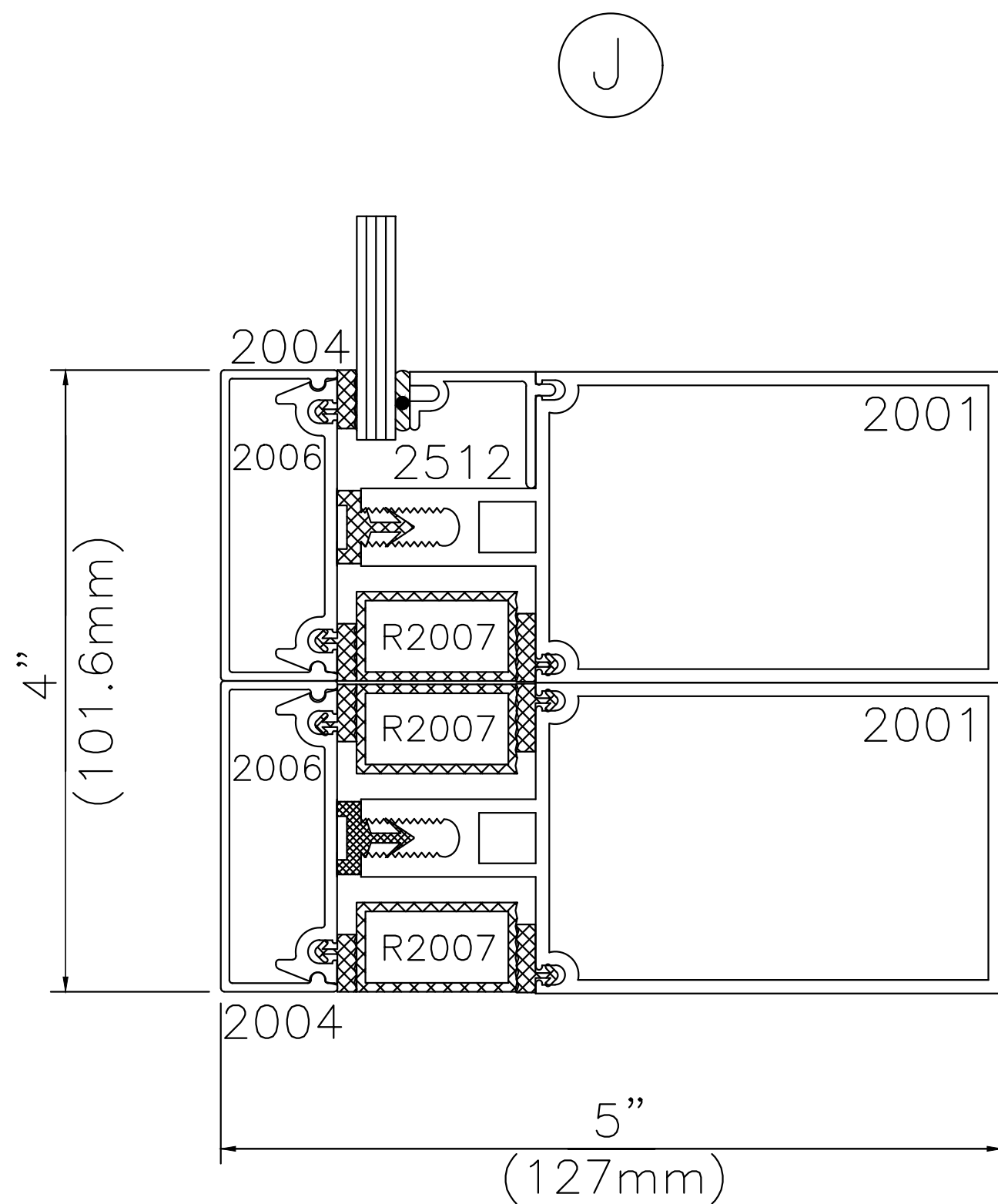
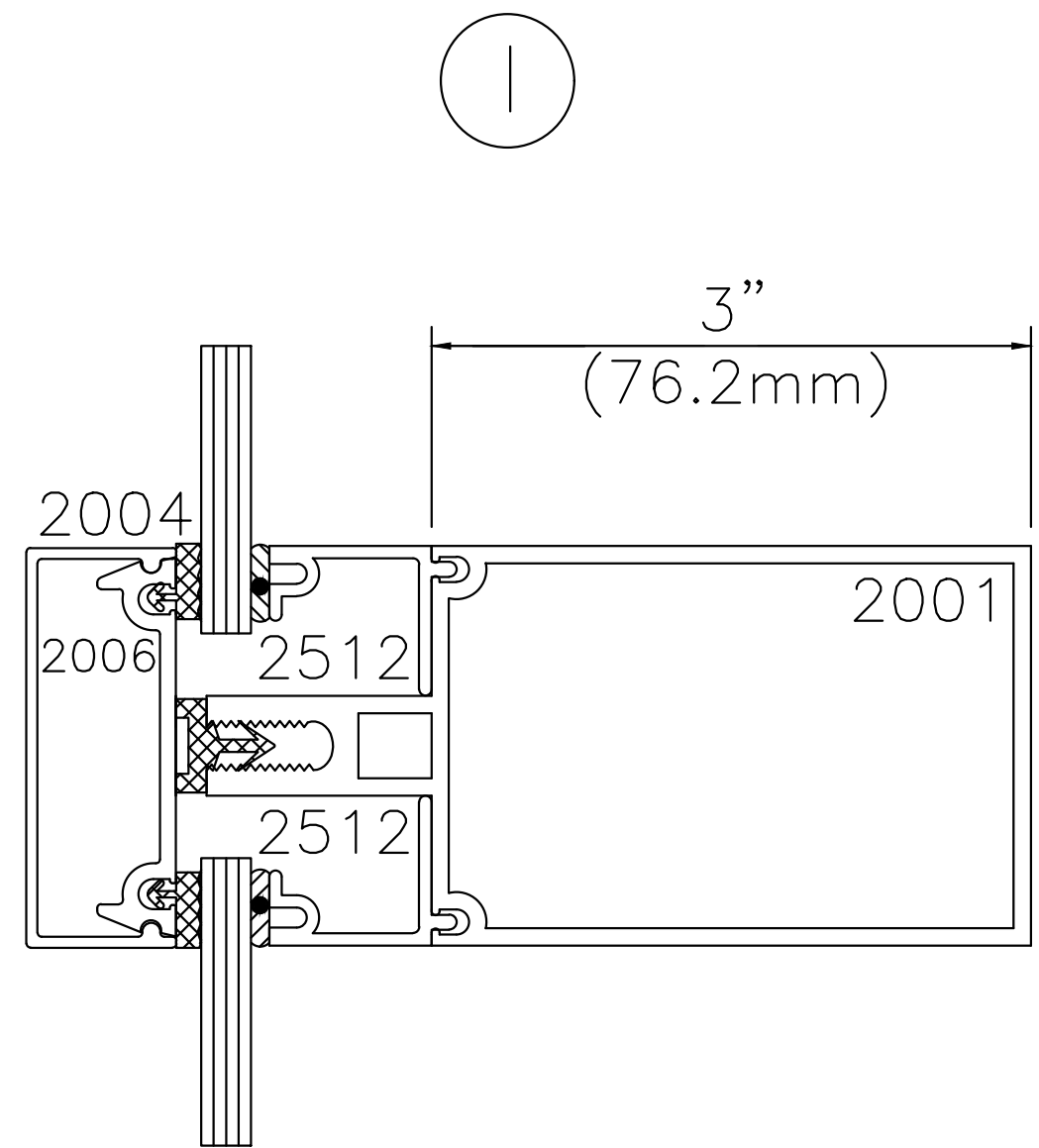
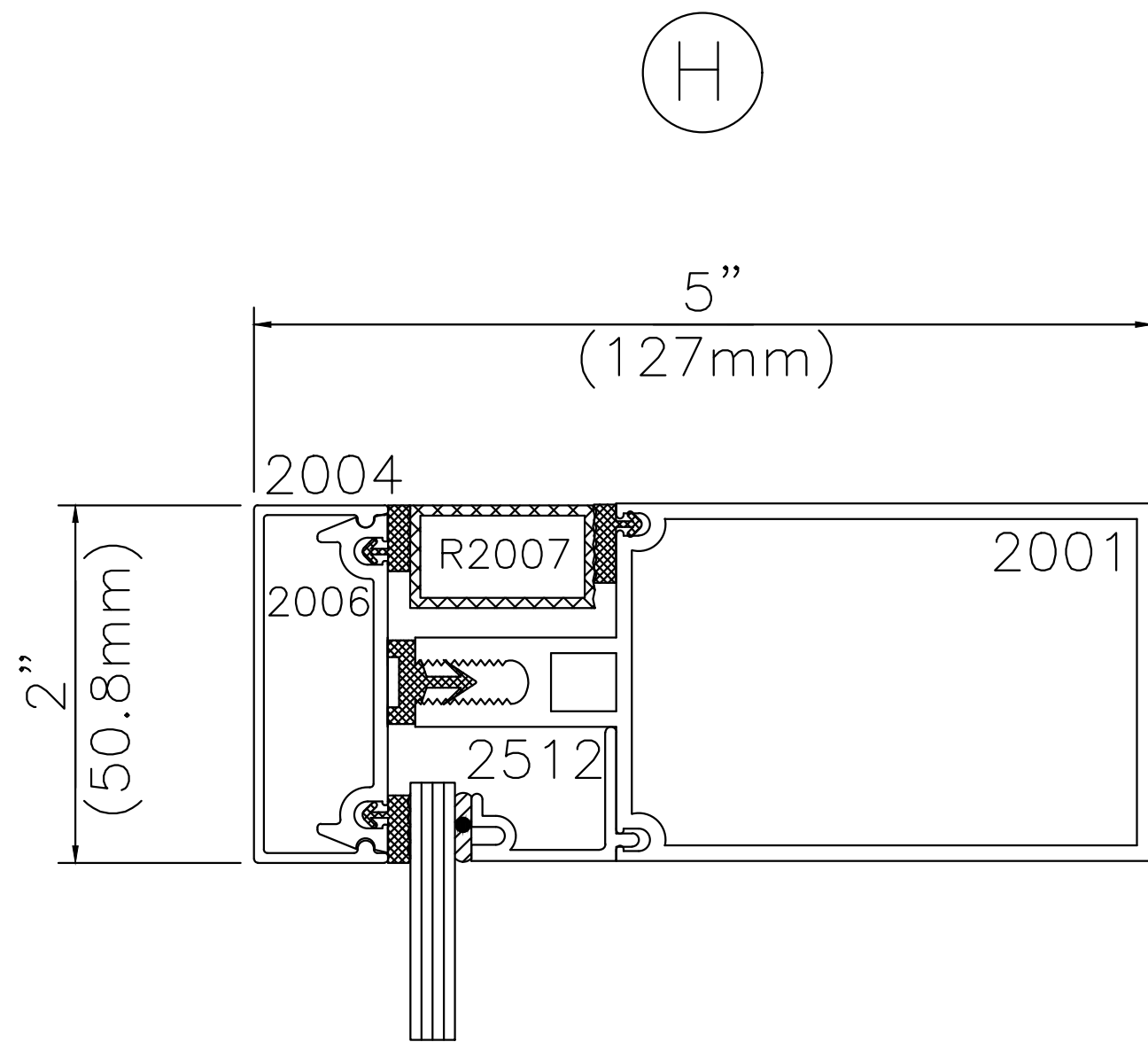
**COMMERCIAL DESIGN
SYSTEMS INC.**

DATE: AUGUST 2014
 TEL: (905) 738-0188
 FAX: (905) 738-6132
 E-MAIL: CDS2009@BELLNET.CA

PAGE:

A9

2000 CURTAIN WALL WITH SINGLE GLAZING ADAPTOR



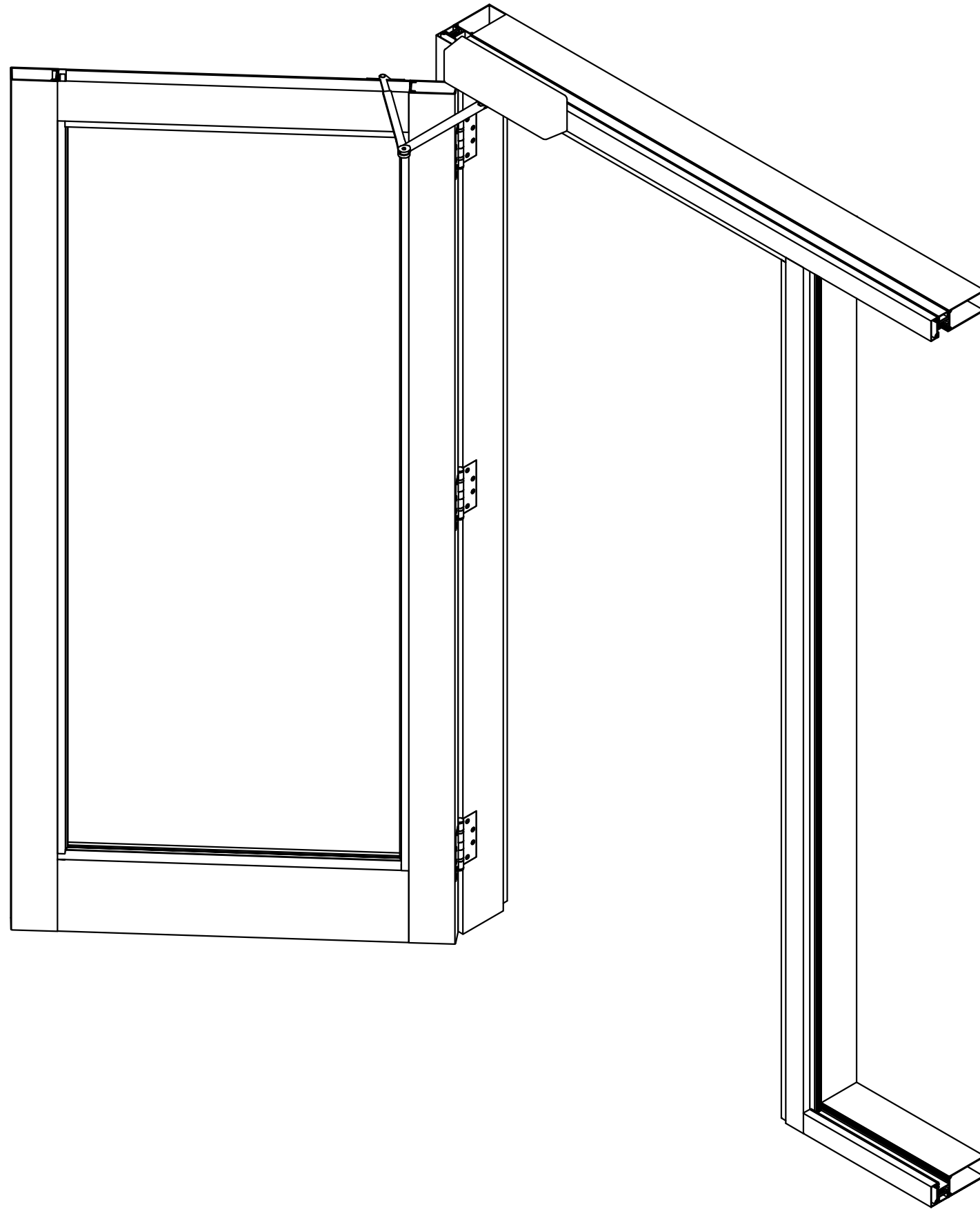
**COMMERCIAL DESIGN
SYSTEMS INC.**

DATE: AUGUST 2014
 TEL: (905) 738-0188
 FAX: (905) 738-6132
 E-MAIL: CDS2009@BELLNET.CA

PAGE:

A10

2500 CURTAIN WALL INFORMATION



DESCRIPTION:

IT IS A THERMALLY BROKEN SYSTEM. CURTAIN WALL DIMENSIONS ARE 2 $\frac{1}{2}$ " IN WIDTH AND MULTIPLE OPTIONS IN HEIGHT.

FINISH:

STOCKED:

CLEAR ANODIZED (#17)
STANDARD BRONZE (#40)

NON-STOCKED*:

CLEAR ANODIZED (#14)
LIGHT BRONZE (#26)
BLACK ANODIZED (#29)

*PAINT FINISHES ARE AVAILABLE UPON REQUEST

STOCK LENGTH:

24'(7.31M)

GLAZING:

2500 CURTAIN WALL ACCEPTS 1"(6mm) AND $\frac{1}{4}$ " (6mm) GLAZING UNITS



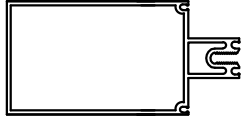

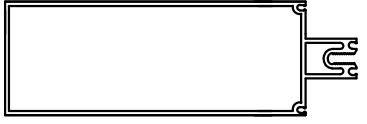
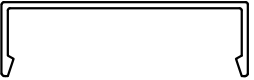
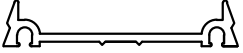
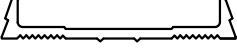
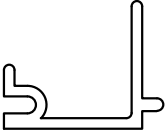


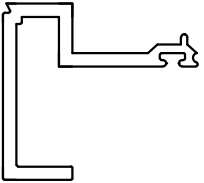

**COMMERCIAL DESIGN
SYSTEMS INC.**

DATE: AUGUST 2014
TEL: (905) 738-0188
FAX: (905) 738-6132
E-MAIL: CDS2009@BELLNET.CA

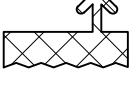
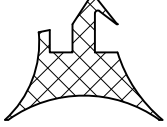
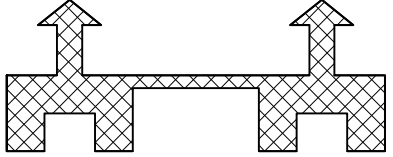
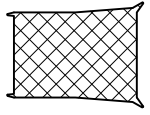

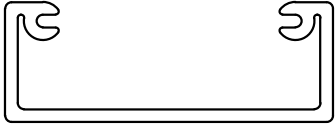

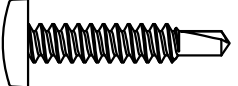
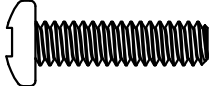
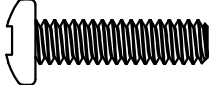

PAGE:

B1

2500 SERIES CURTAIN WALL

PART	PART NO	DESCRIPTION	FINISH
	2504	2 1/2" X 4" CURTAIN WALL	STOCKED CLEAR ANODIZED(2) STANDARD BRONZED ANODIZED(3)
			NOT STOCKED LIGHT BRONZED ANODIZED(5) BLACK ANODIZED(6)
	2505	2 1/2" X 5 1/4" CURTAIN WALL	STOCKED CLEAR ANODIZED(2) STANDARD BRONZED ANODIZED(3)
			NOT STOCKED LIGHT BRONZED ANODIZED(5) BLACK ANODIZED(6)
	2506	2 1/2" X 6 5/8" CURTAIN WALL	STOCKED CLEAR ANODIZED(2) STANDARD BRONZED ANODIZED(3)
			NOT STOCKED LIGHT BRONZED ANODIZED(5) BLACK ANODIZED(6)
	2507	2 1/2" X 3/4" CURTAIN WALL CAP	STOCKED CLEAR ANODIZED(2) STANDARD BRONZED ANODIZED(3)
			NOT STOCKED LIGHT BRONZED ANODIZED(5) BLACK ANODIZED(6)
	2510	2 1/2" DRY SEAL PRESSURE PLATE	
	2511	2 1/2" WET SEAL GLAZE PRESSURE PLATE	
	2512	SINGLE GLAZING ADAPTOR	STOCKED CLEAR ANODIZED(2) STANDARD BRONZED ANODIZED(3)
			NOT STOCKED LIGHT BRONZED ANODIZED(5) BLACK ANODIZED(6)
	2514	2 1/2" X 4" SG CURTAIN WALL MULLION	STOCKED CLEAR ANODIZED(2) STANDARD BRONZED ANODIZED(3)
			NOT STOCKED LIGHT BRONZED ANODIZED(5) BLACK ANODIZED(6)
	2517	FLUSH DOOR ADAPTOR CAP FOR 2 1/2" CURTAIN WALL	STOCKED CLEAR ANODIZED(2) STANDARD BRONZED ANODIZED(3)
			NOT STOCKED LIGHT BRONZED ANODIZED(5) BLACK ANODIZED(6)
	2518	FLUSH DOOR ADAPTOR BASE FOR 2 1/2" CURTAIN WALL	STOCKED CLEAR ANODIZED(2) STANDARD BRONZED ANODIZED(3)
			NOT STOCKED LIGHT BRONZED ANODIZED(5) BLACK ANODIZED(6)
	R2007	POCKET FILLER 3/4" X 1 1/8"	

2500 SERIES CURTAIN WALL

PART	PART NO	DESCRIPTION	FINISH
	R2503	PRESSURE PLATE GASKET	
	R2504	INTERIOR CURTAIN WALL GASKET	
	R2505	THERMO BREAK FOR 2 1/2" CURTAIN WALL	
	H2507	CORNER PLUG	
	H2504	SPIGOT FOR 2 1/2" X 4" CURTAIN WALL	
	H2505	SPIGOT FOR 2 1/2" X 5 1/4" CURTAIN WALL	
	H2506	SPIGOT FOR 2 1/2" X 6 5/8" CURTAIN WALL	
	H2514	#20 X 1/8" X 3/4" TAPPING SCREW	
	H2515	#20 X 1/4" X 3/4" MACHINE SCREW	
	H2515 -S	#20 X 1/4" X 3/4" S.S MACHINE SCREW	
	H2516	#10-24 X 1 1/4" FLAT HEAD SCREWS	



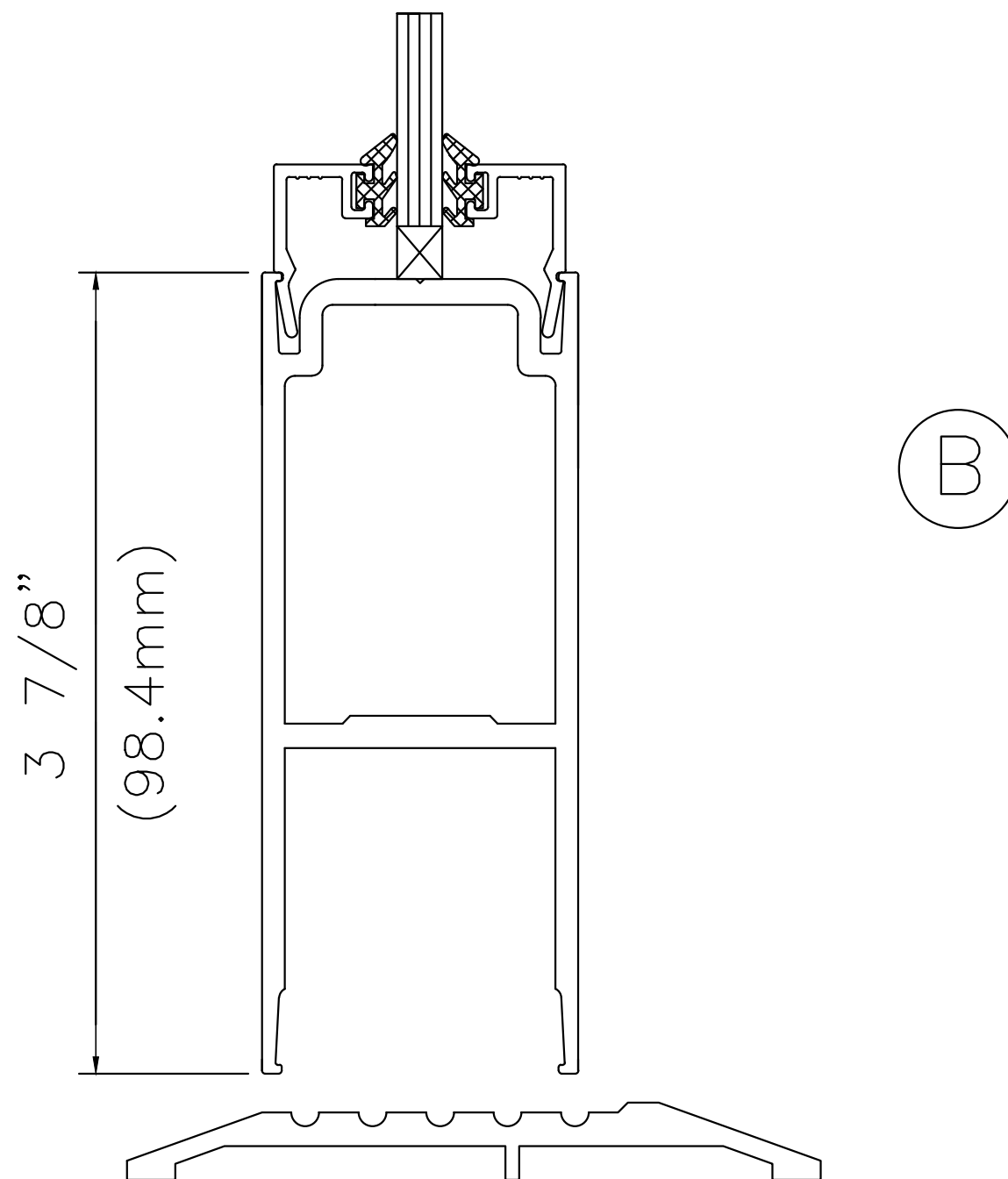
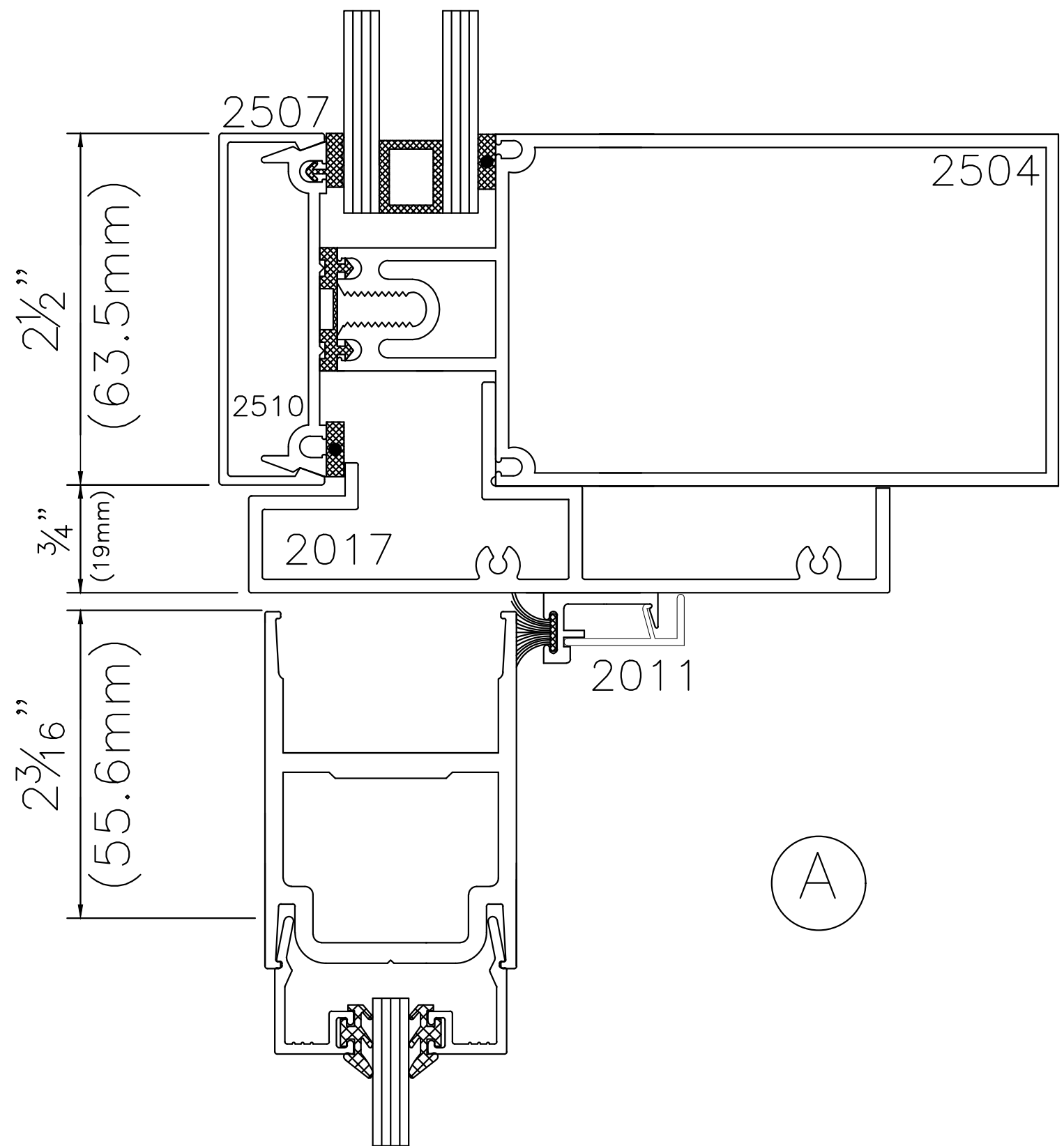
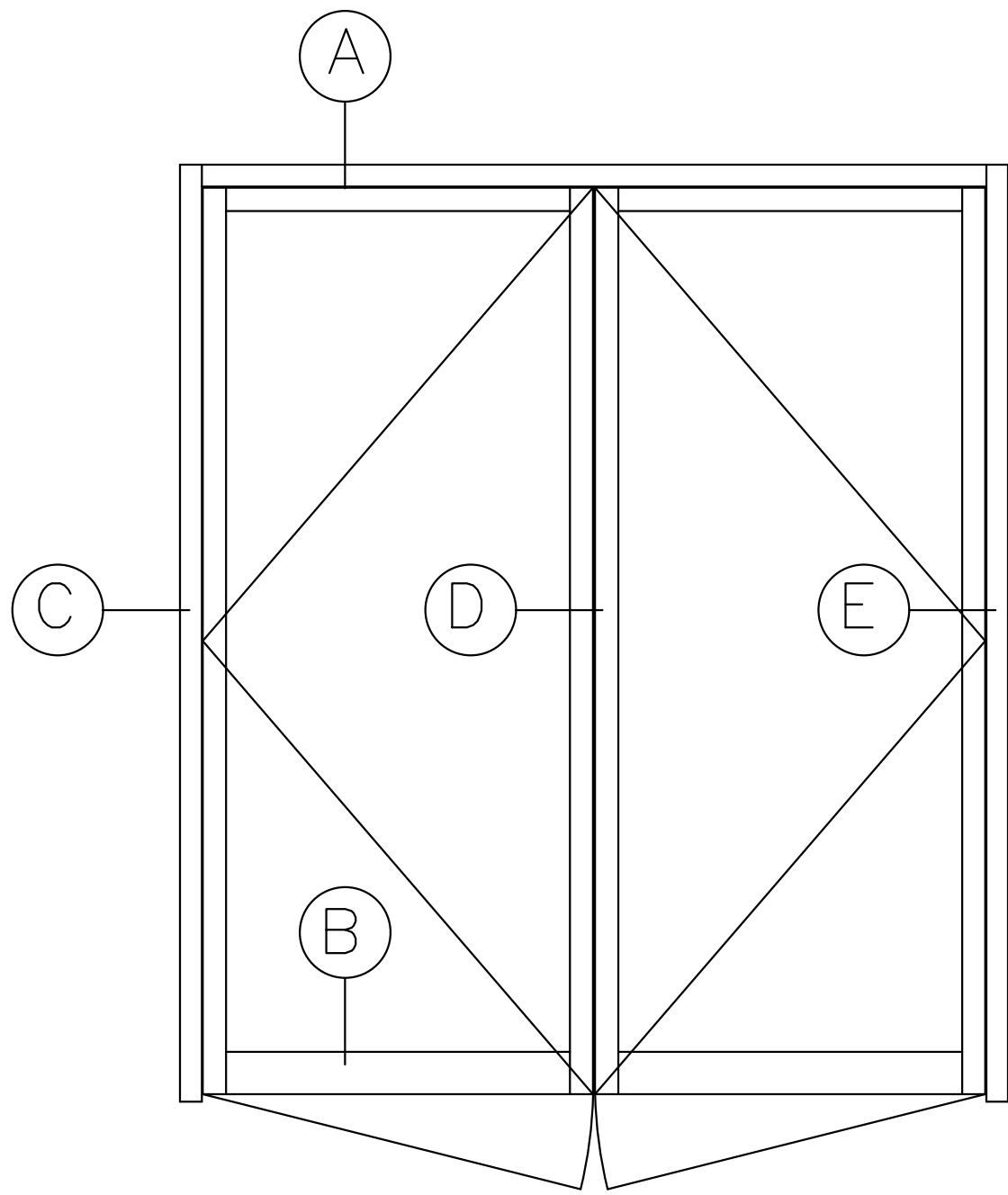
**COMMERCIAL DESIGN
SYSTEMS INC.**

DATE: APRIL 2016
 TEL: (905) 738-0188
 FAX: (905) 738-6132
 E-MAIL: CDS2009@BELLNET.CA

PAGE:

B3

2500 SERIES CURTAIN WALL (2 1/2" X 3") WITH STANDARD PAIR DOORS



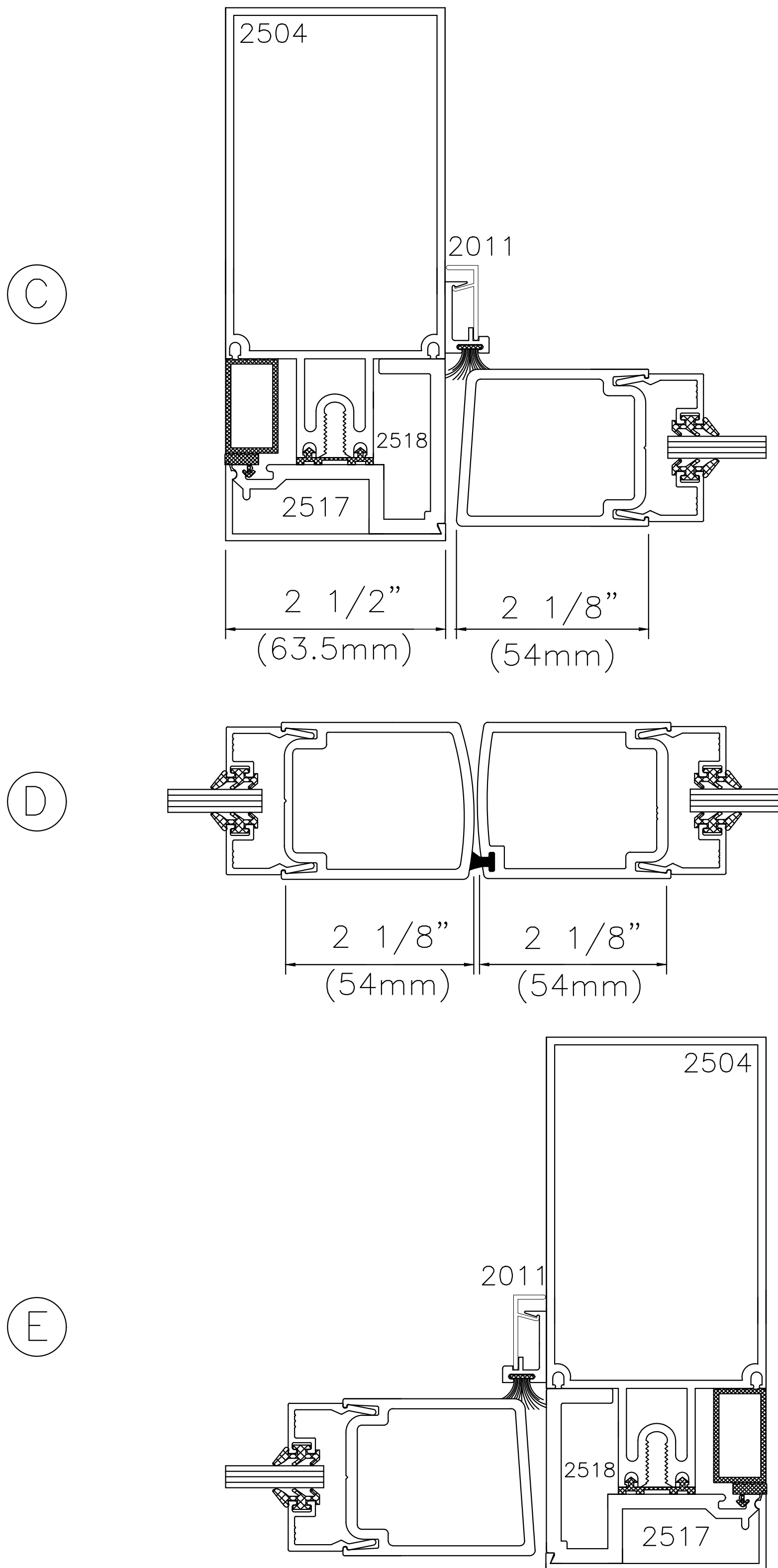
**COMMERCIAL DESIGN
SYSTEMS INC.**

DATE: AUGUST 2014
 TEL: (905) 738-0188
 FAX: (905) 738-6132
 E-MAIL: CDS2009@BELLNET.CA

PAGE:

B4

2500 SERIES CURTAIN WALL (2 1/2" X 3") WITH STANDARD PAIR DOORS



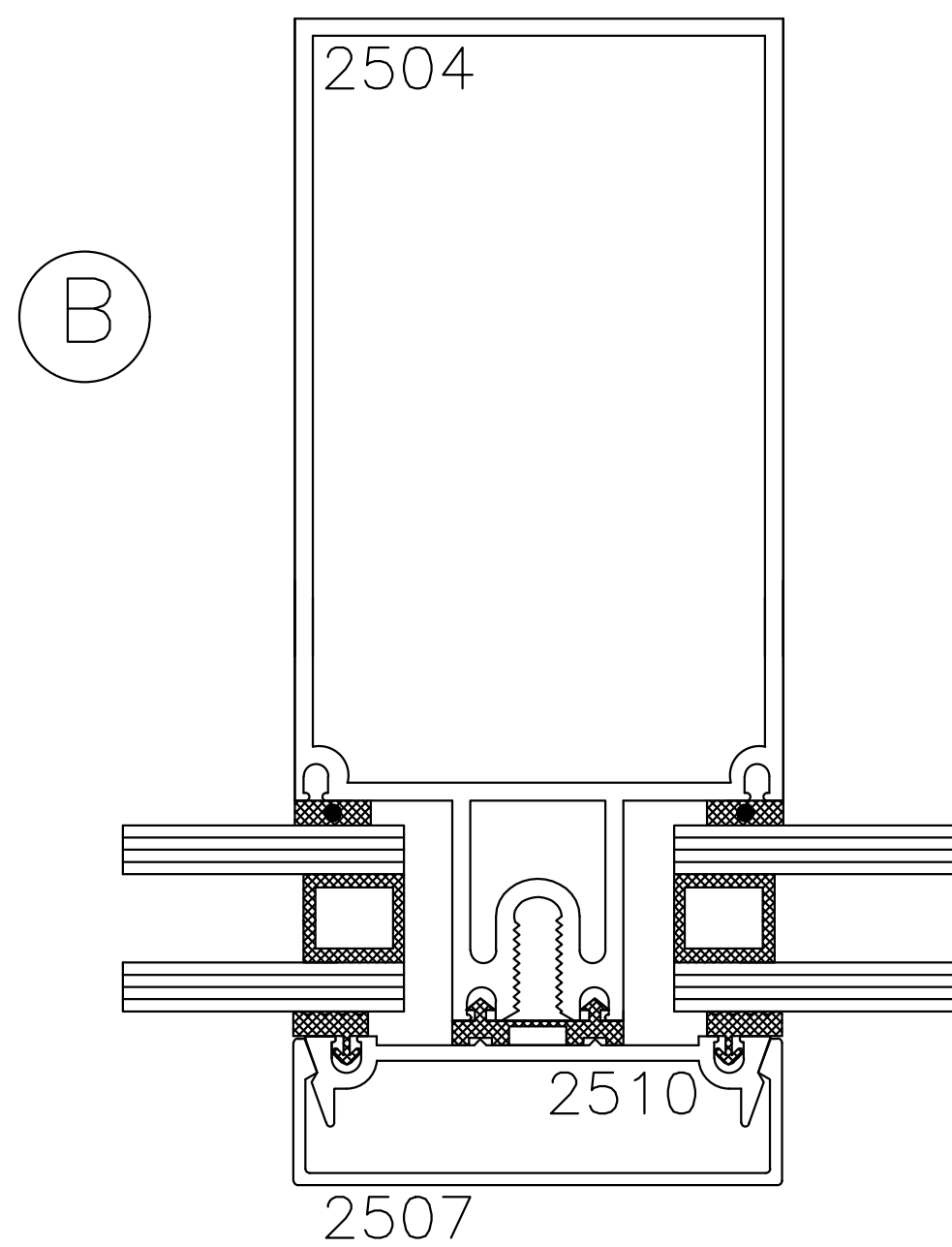
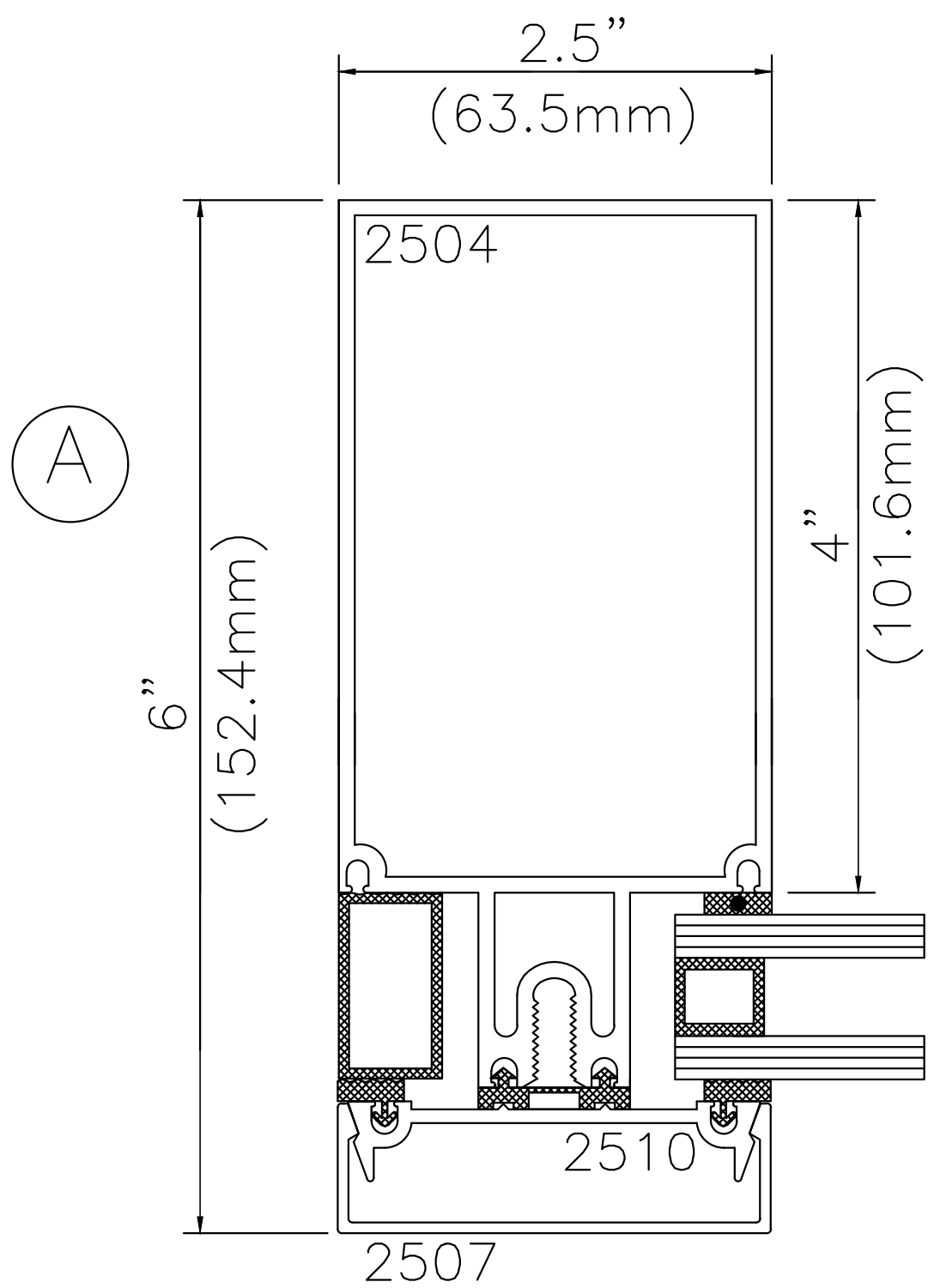
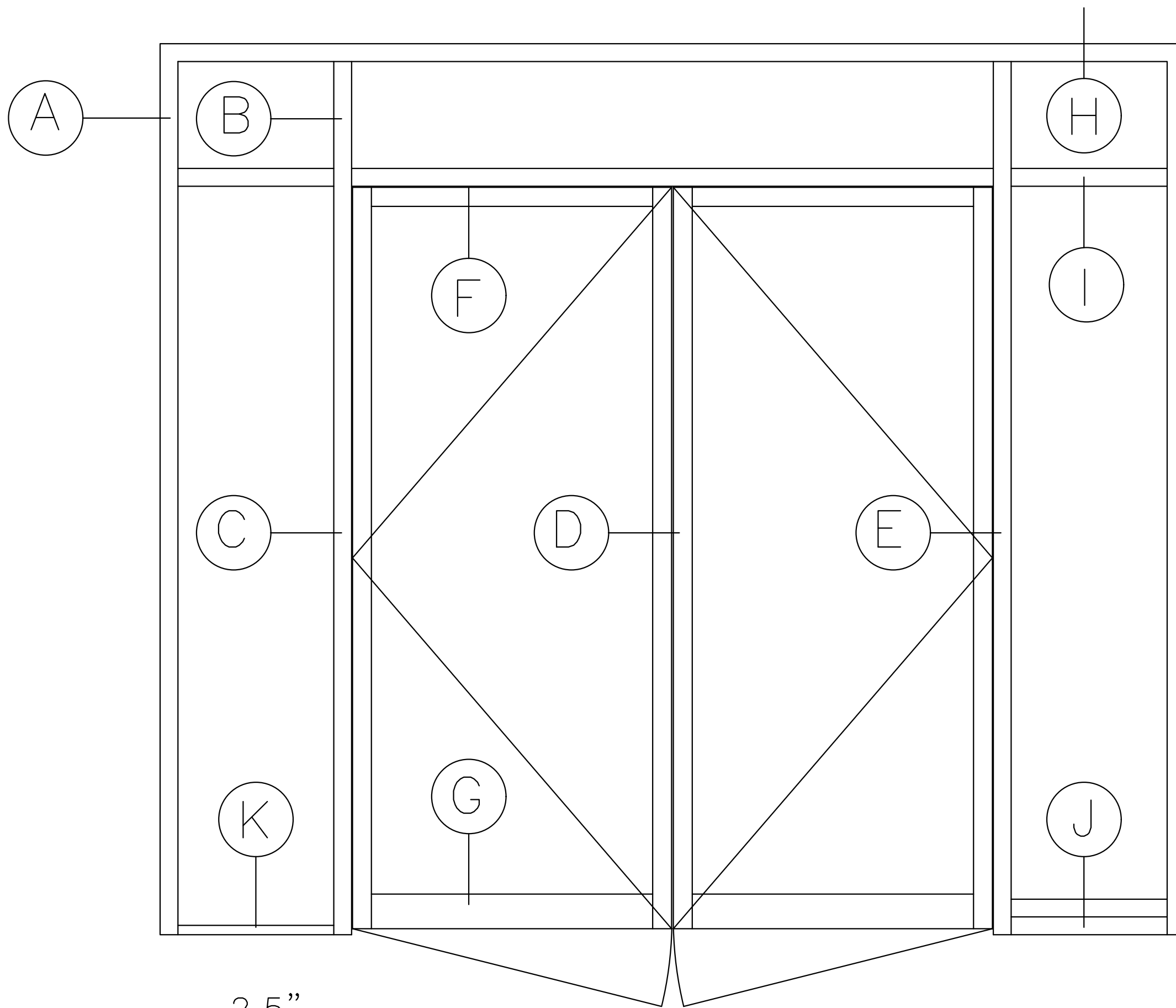
**COMMERCIAL DESIGN
SYSTEMS INC.**

DATE: AUGUST 2014
 TEL: (905) 738-0188
 FAX: (905) 738-6132
 E-MAIL: CDS2009@BELLNET.CA

PAGE:

B5

2500 SERIES CURTAIN WALL



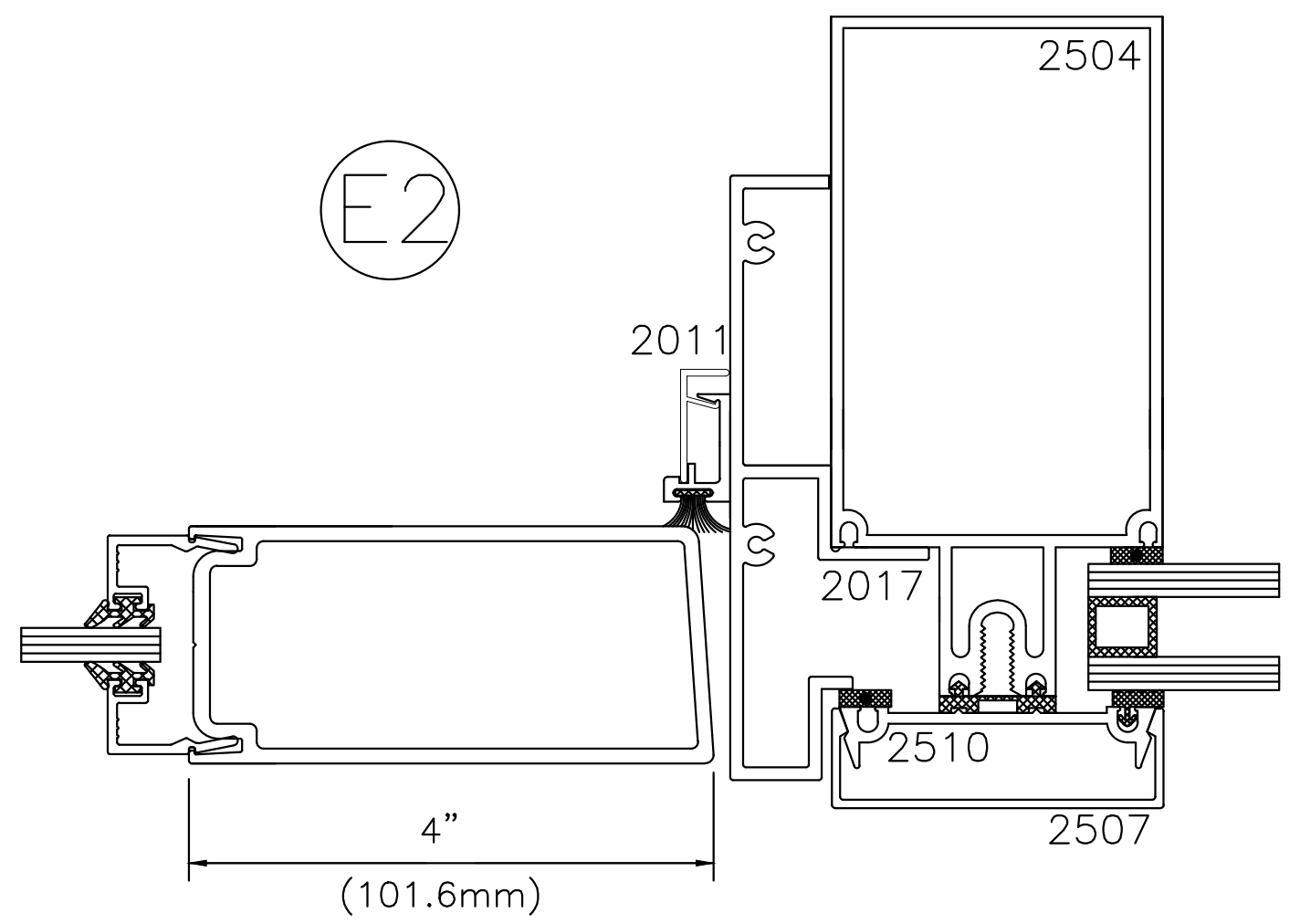
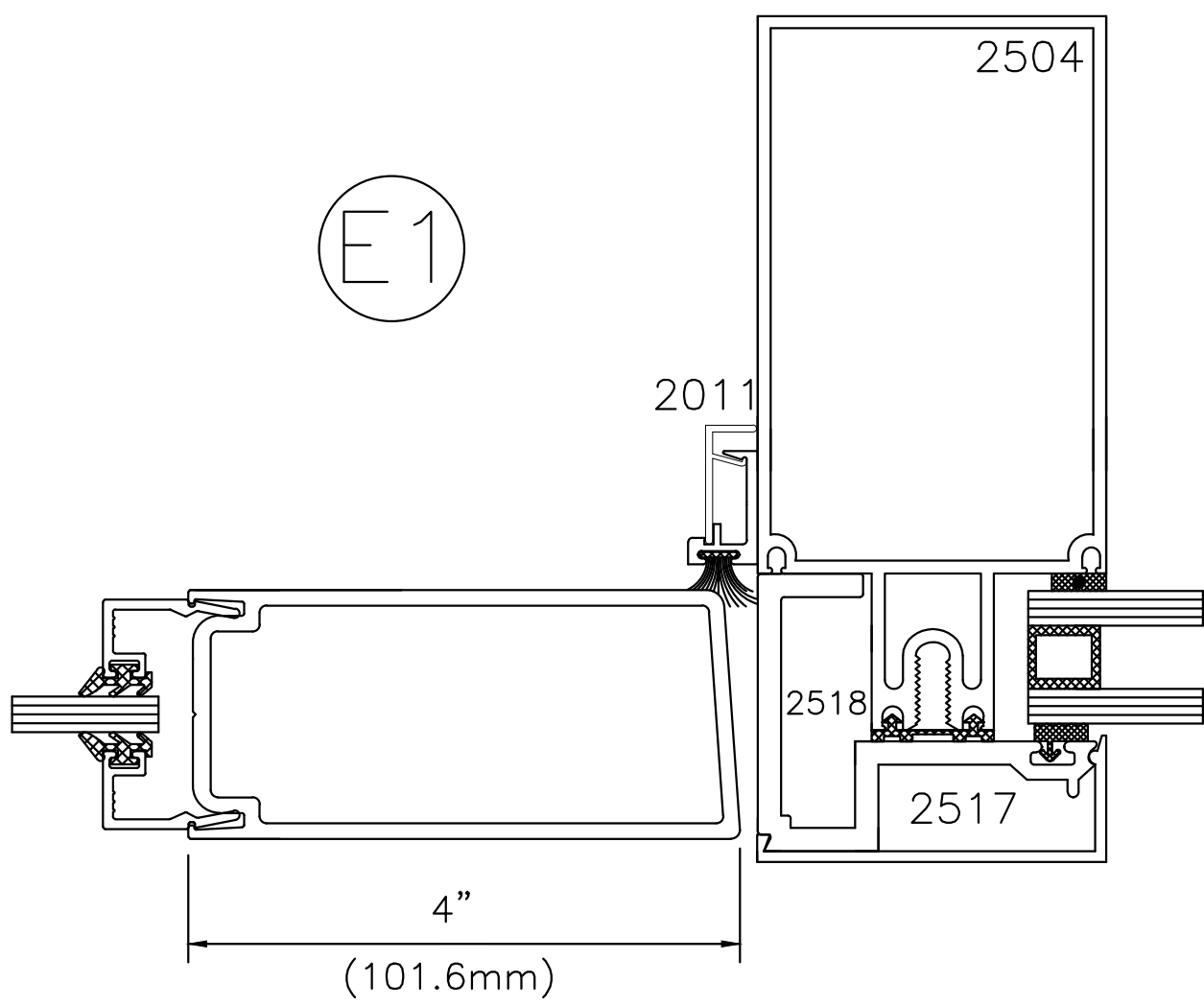
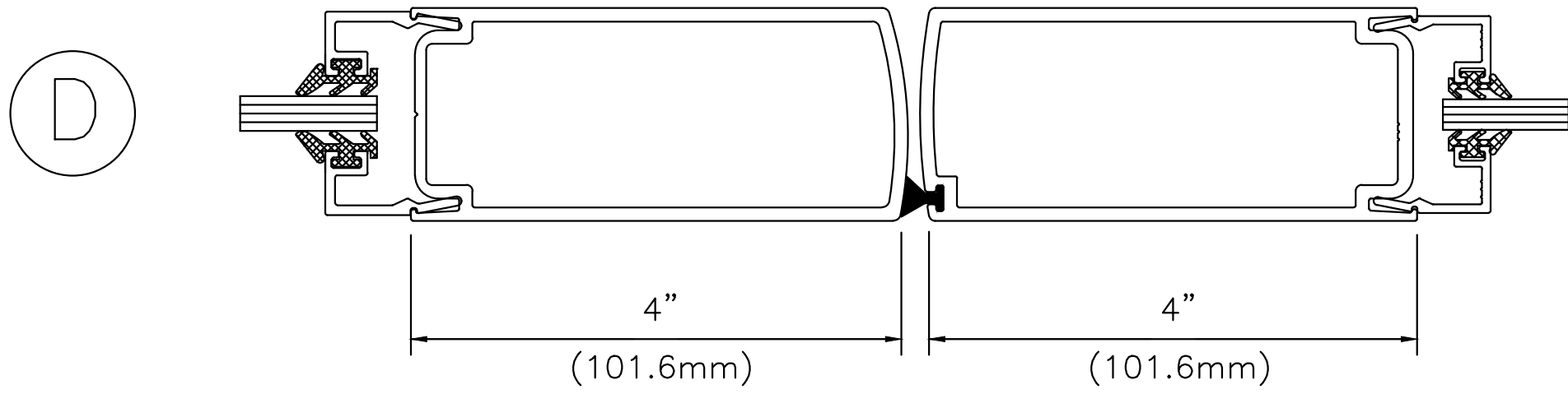
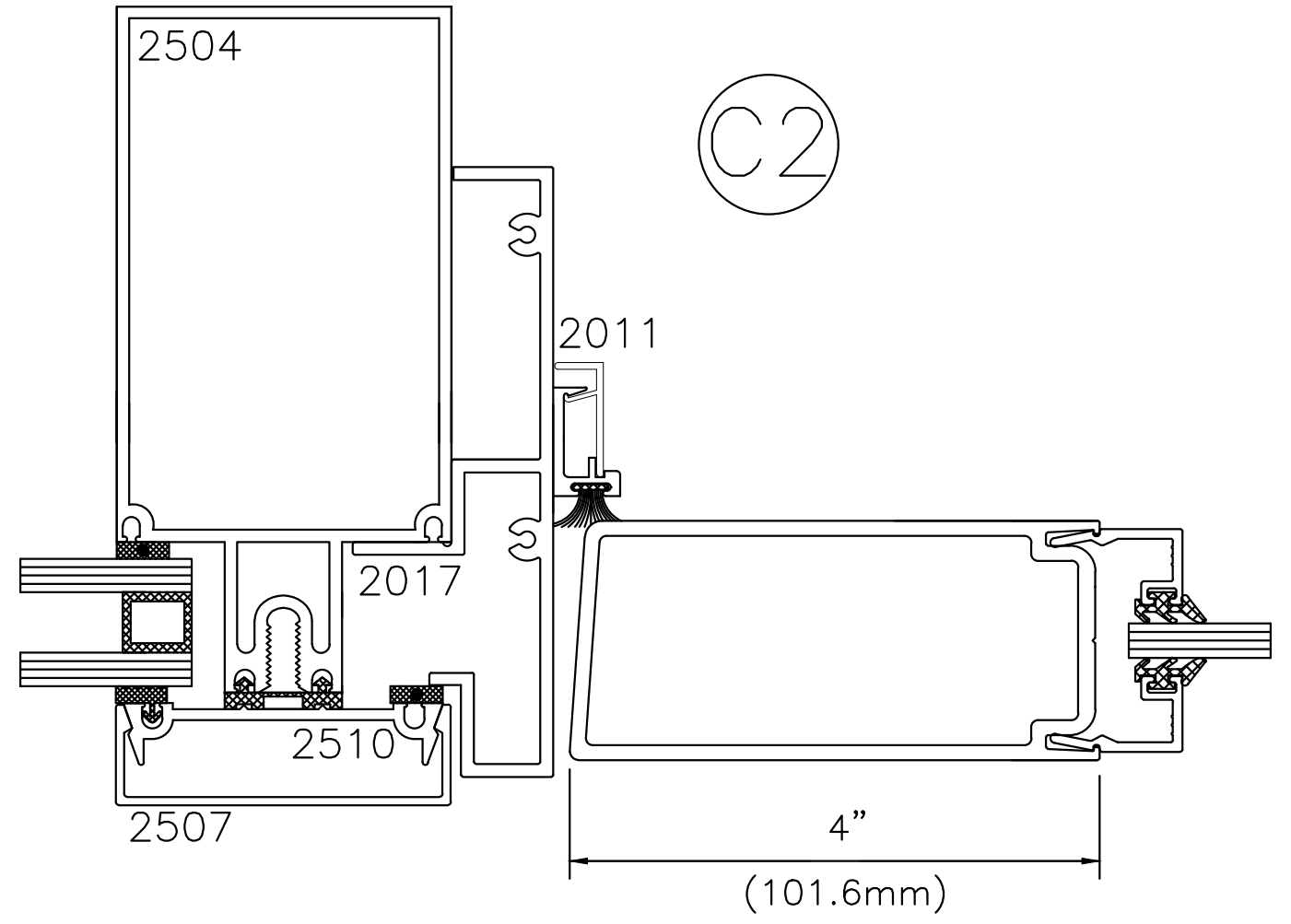
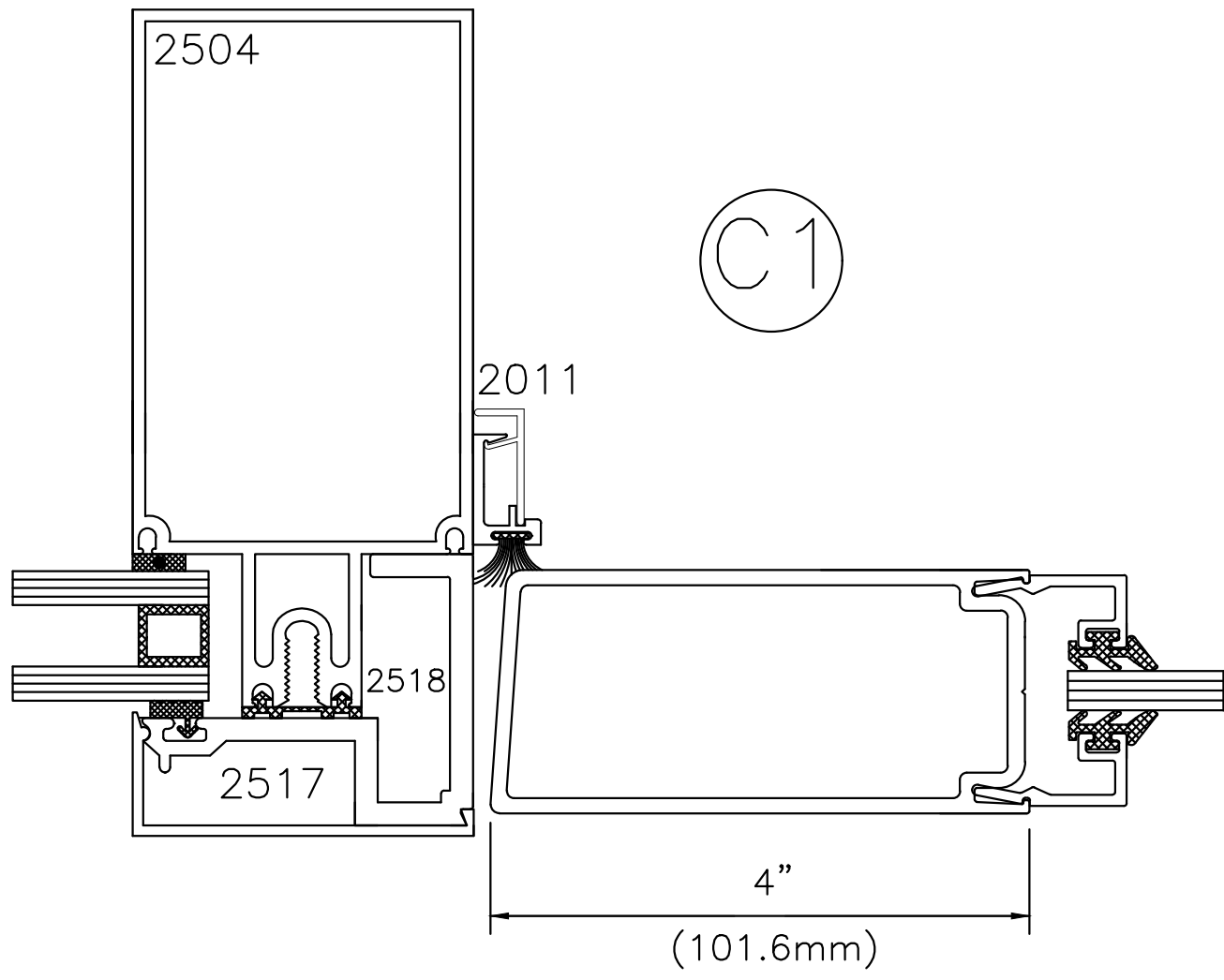
**COMMERCIAL DESIGN
SYSTEMS INC.**

DATE: AUGUST 2014
 TEL: (905) 738-0188
 FAX: (905) 738-6132
 E-MAIL: CDS2009@BELLNET.CA

PAGE:

B6

2500 CURTAIN WALL 400 DOORS



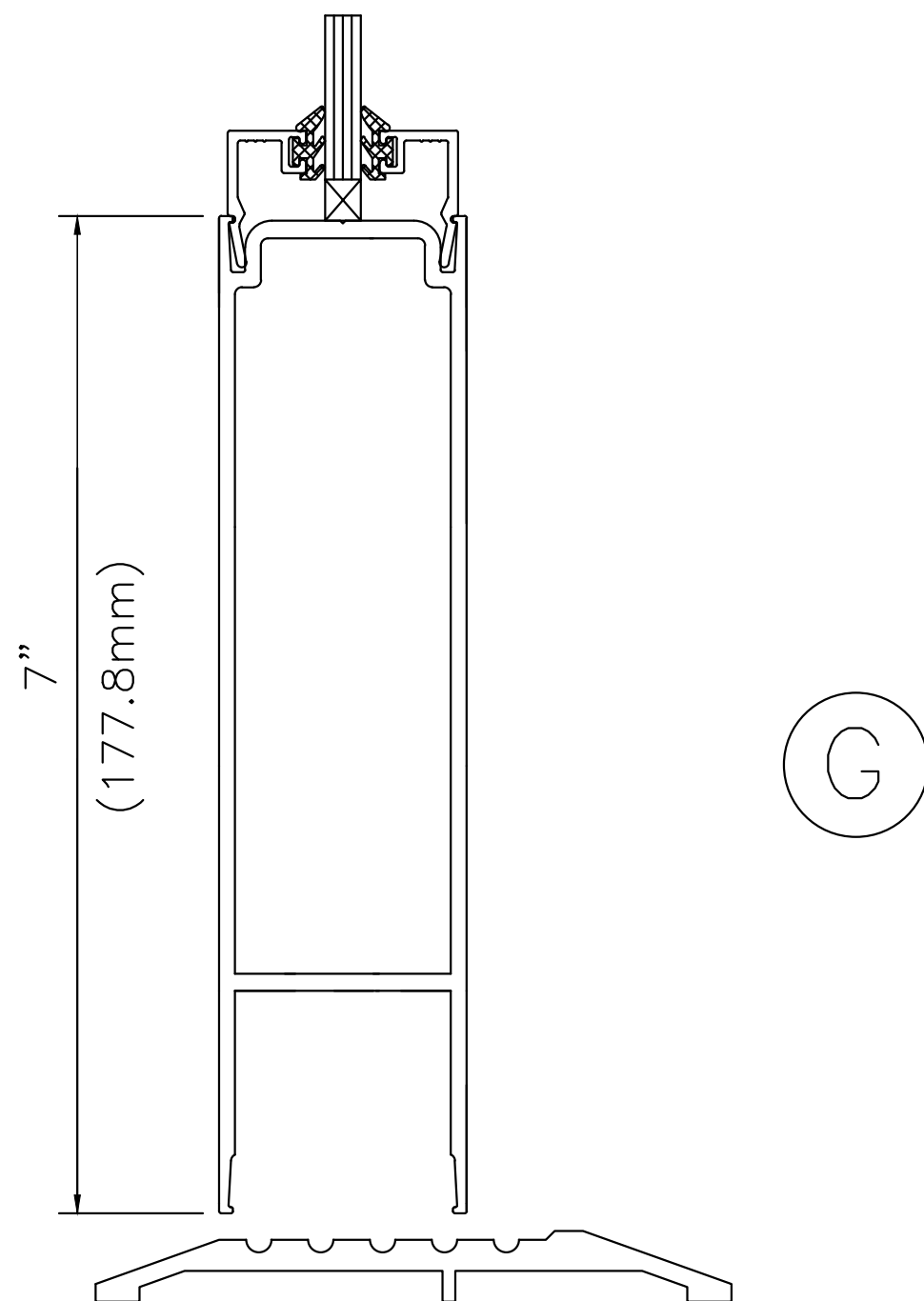
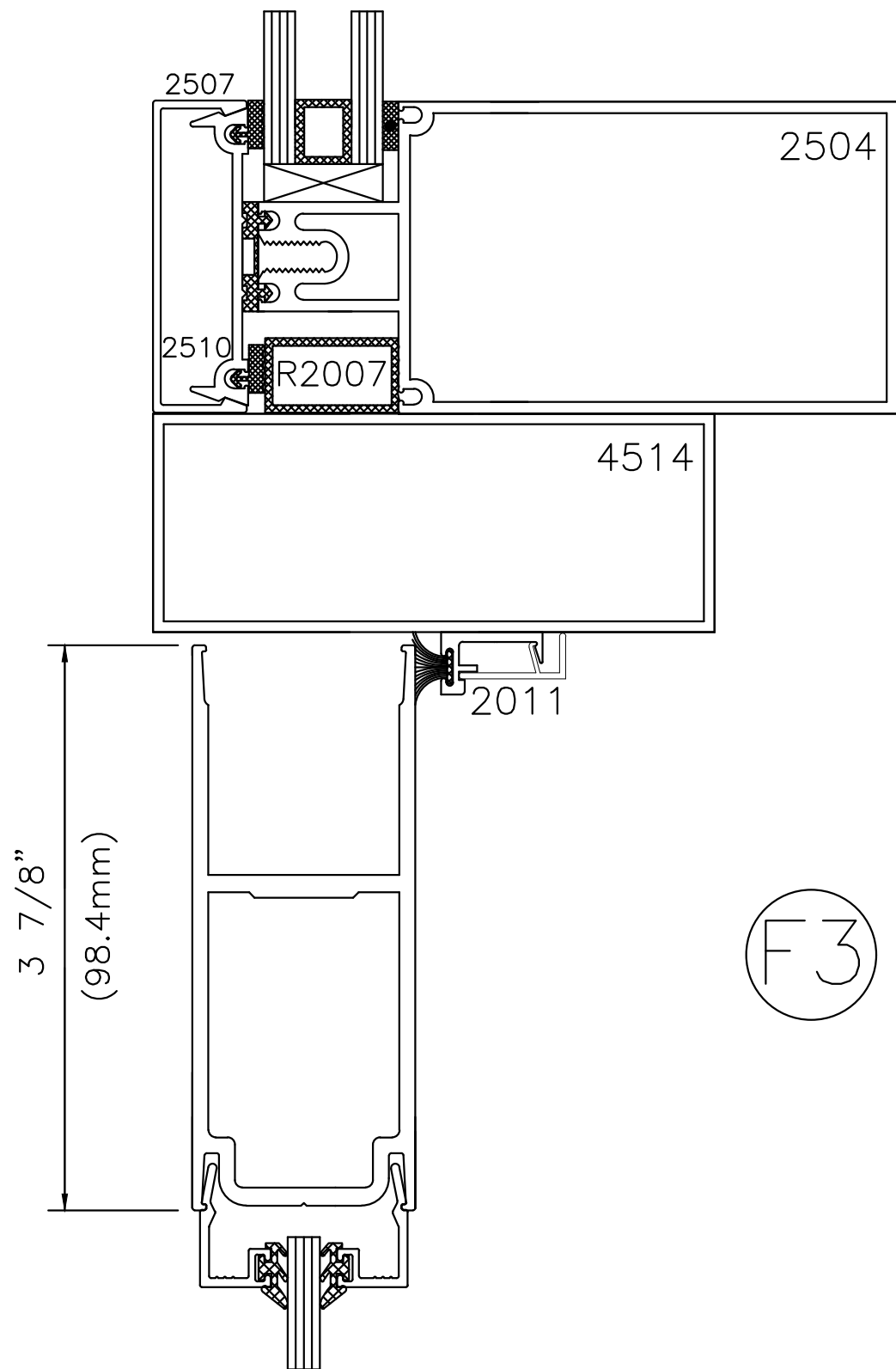
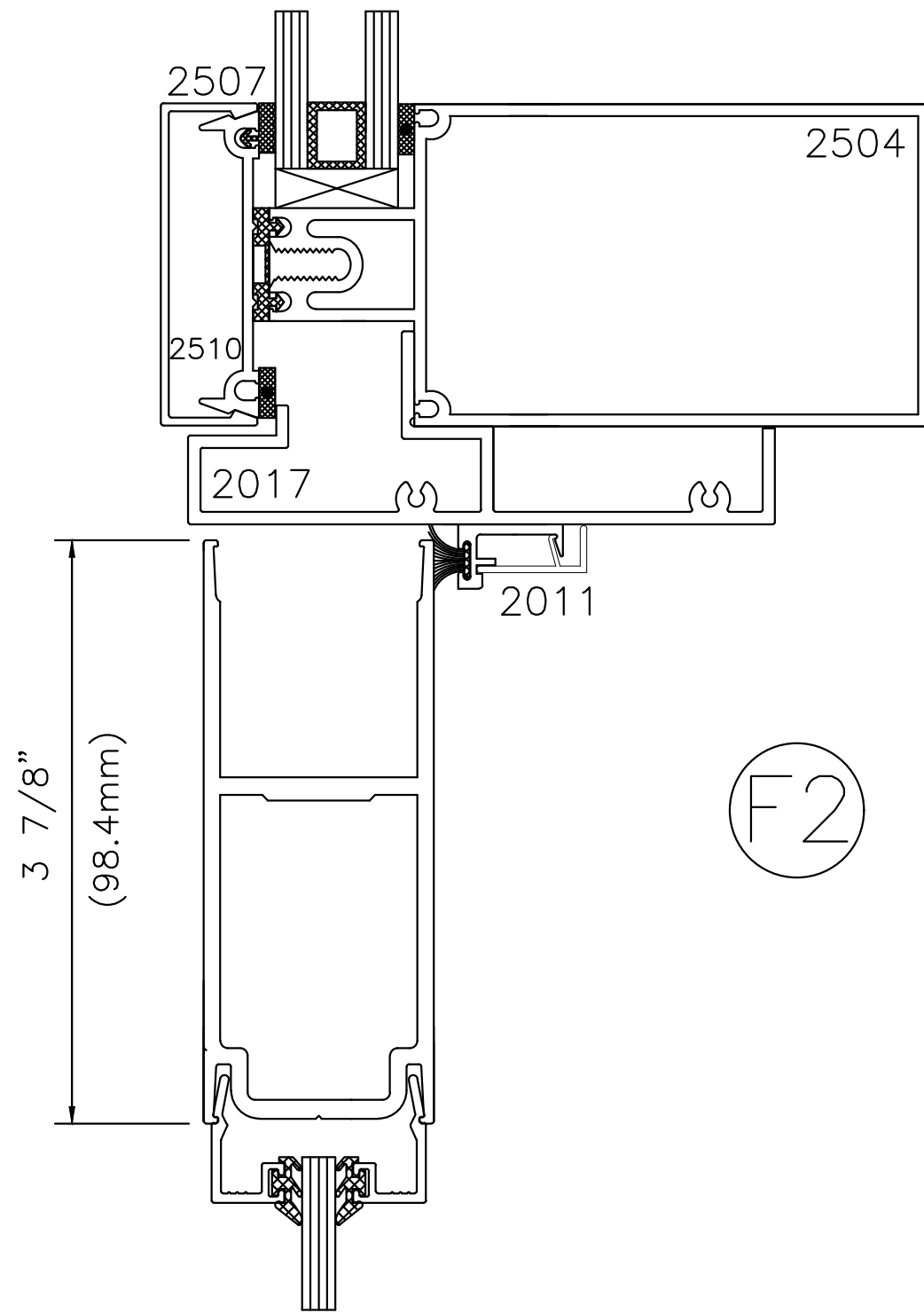
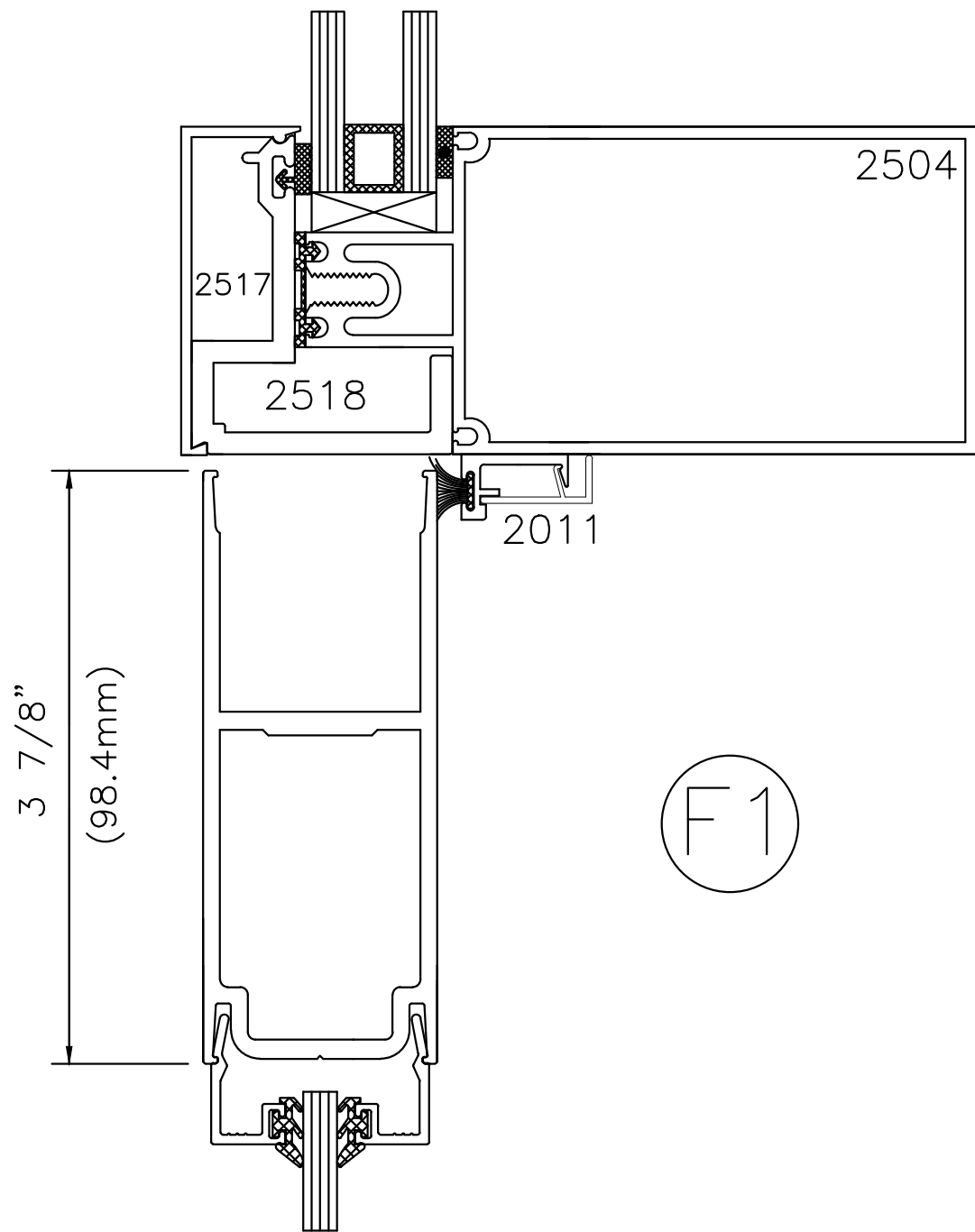
**COMMERCIAL DESIGN
SYSTEMS INC.**

DATE: AUGUST 2014
 TEL: (905) 738-0188
 FAX: (905) 738-6132
 E-MAIL: CDS2009@BELLNET.CA

PAGE:

B7

2500 CURTAIN WALL 400 DOORS



**COMMERCIAL DESIGN
SYSTEMS INC.**

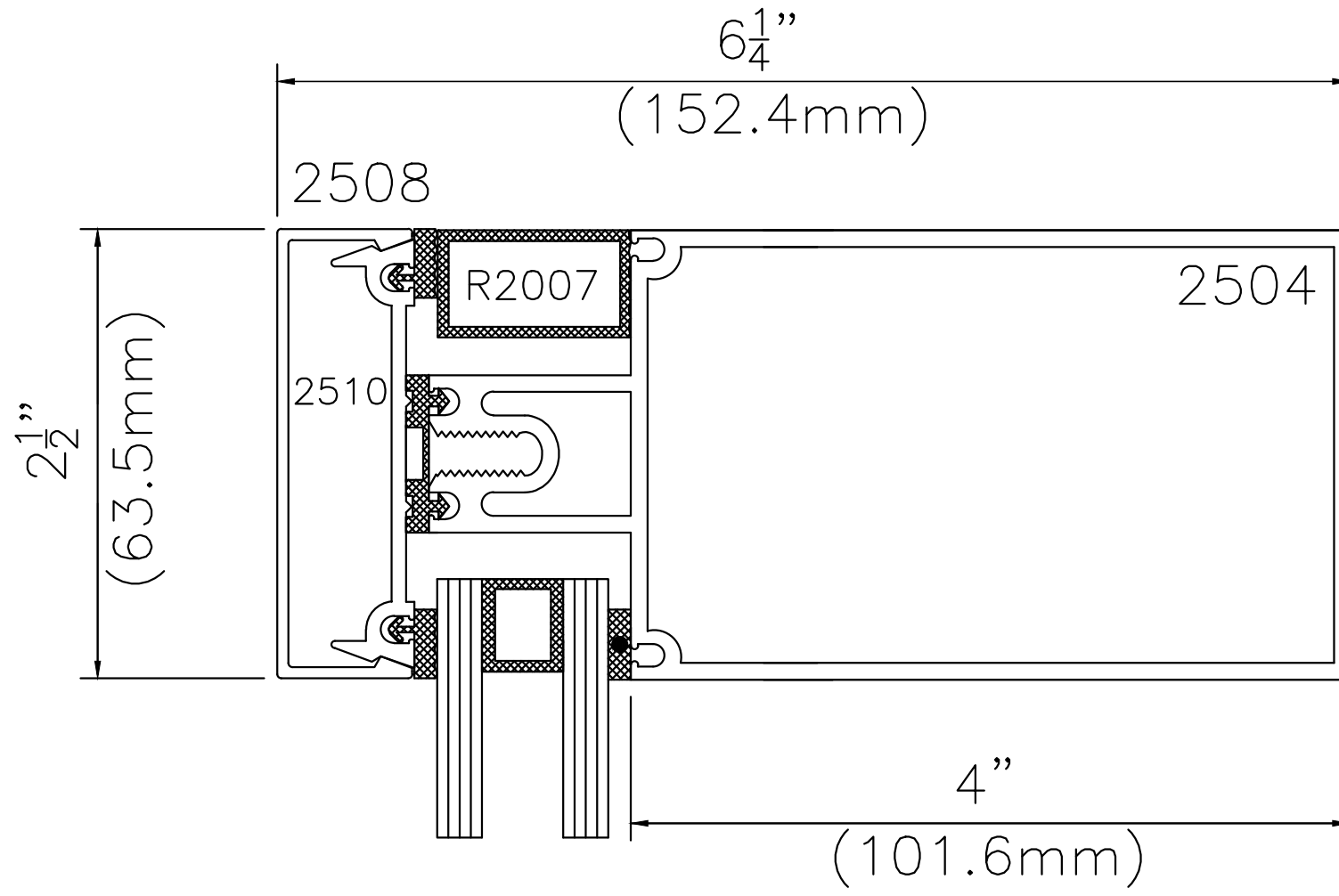
DATE: AUGUST 2014
 TEL: (905) 738-0188
 FAX: (905) 738-6132
 E-MAIL: CDS2009@BELLNET.CA

PAGE:

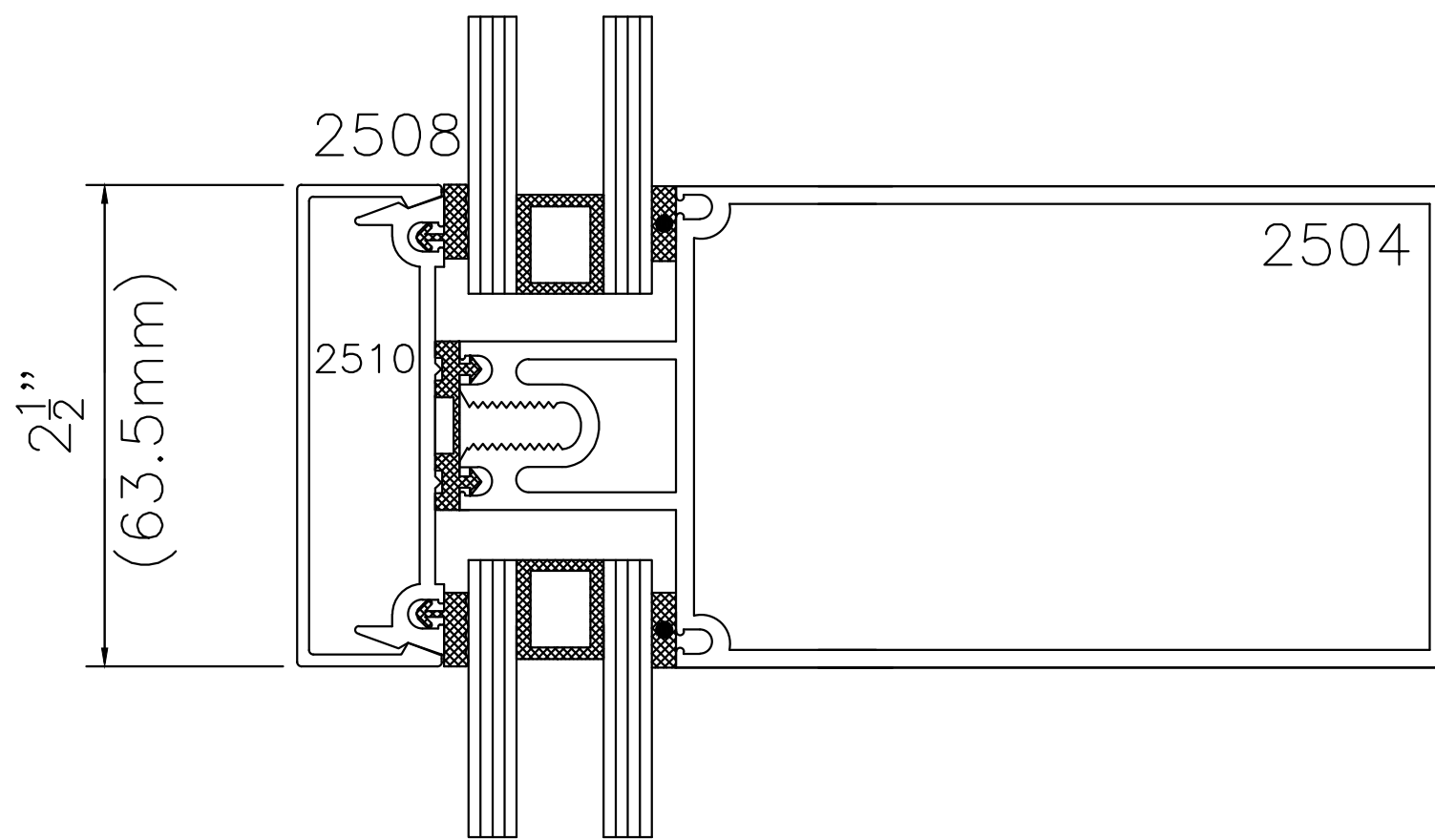
B8

2500 CURTAIN WALL WITH SEAL UNIT GLASS

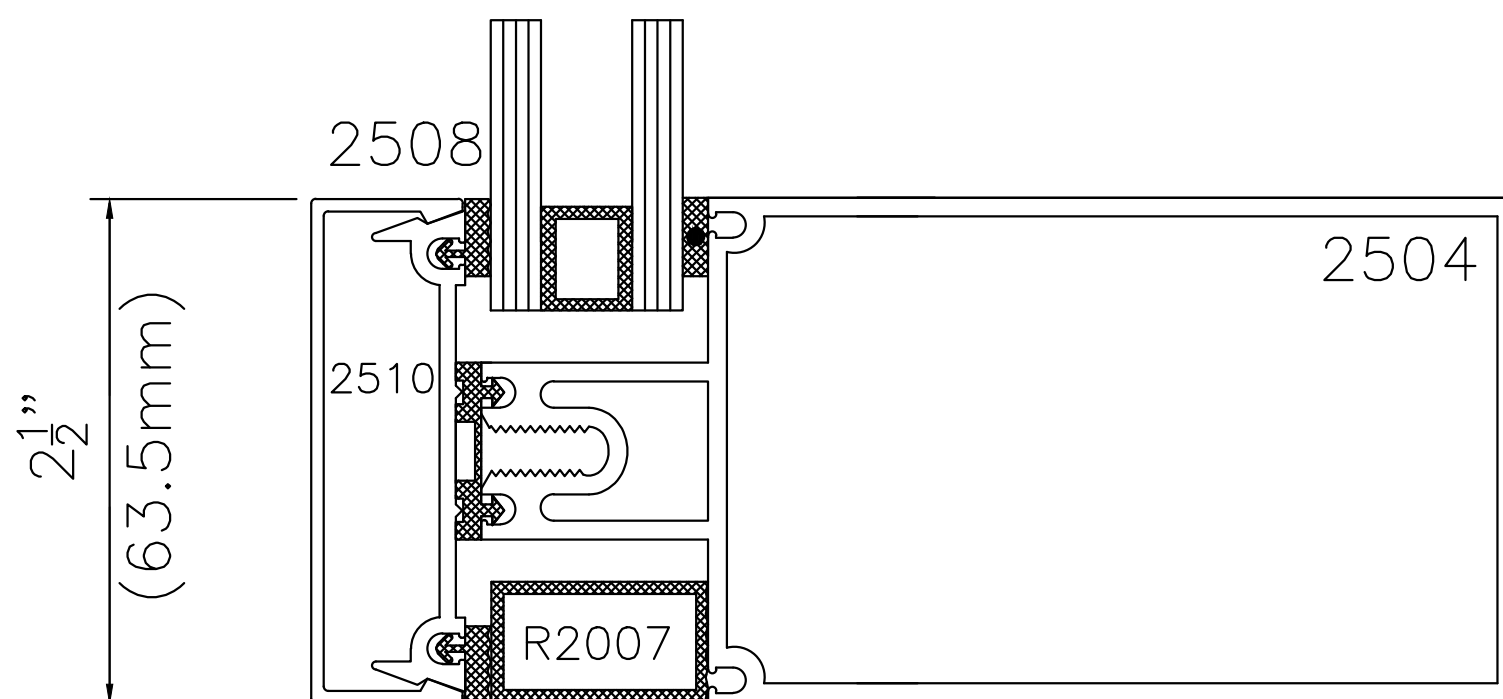
G



H



I



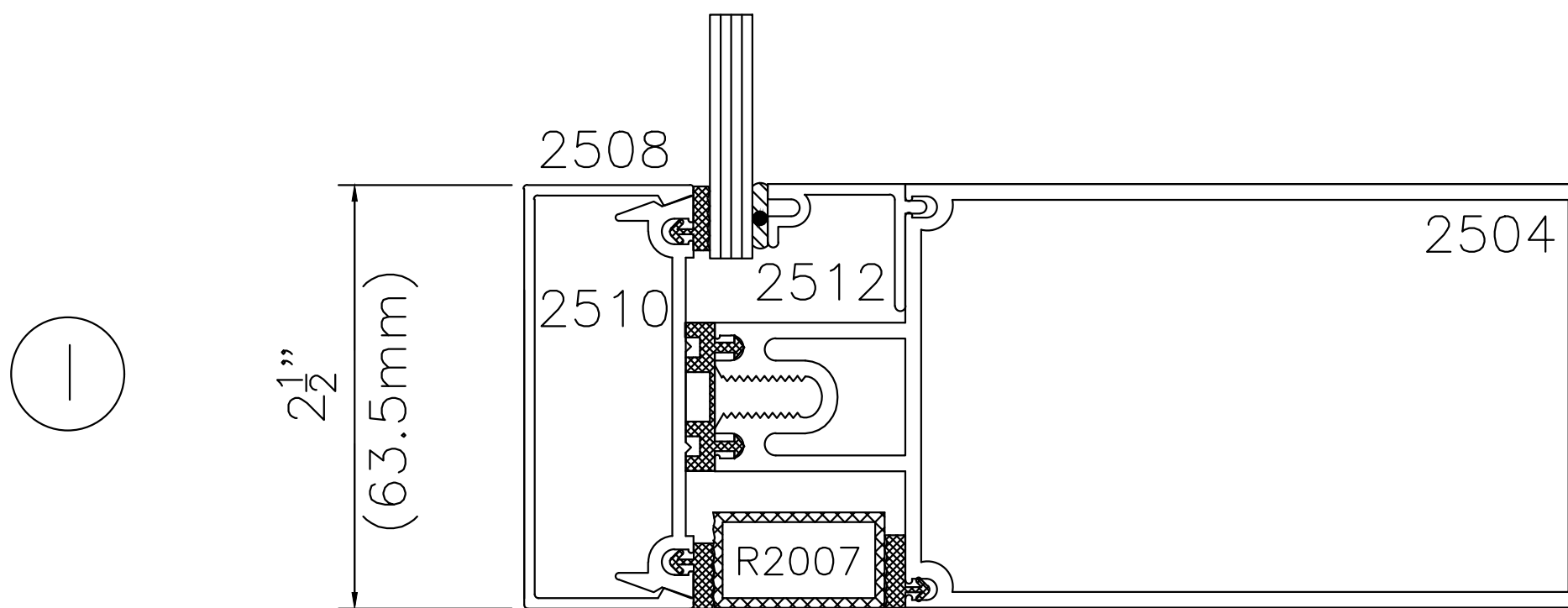
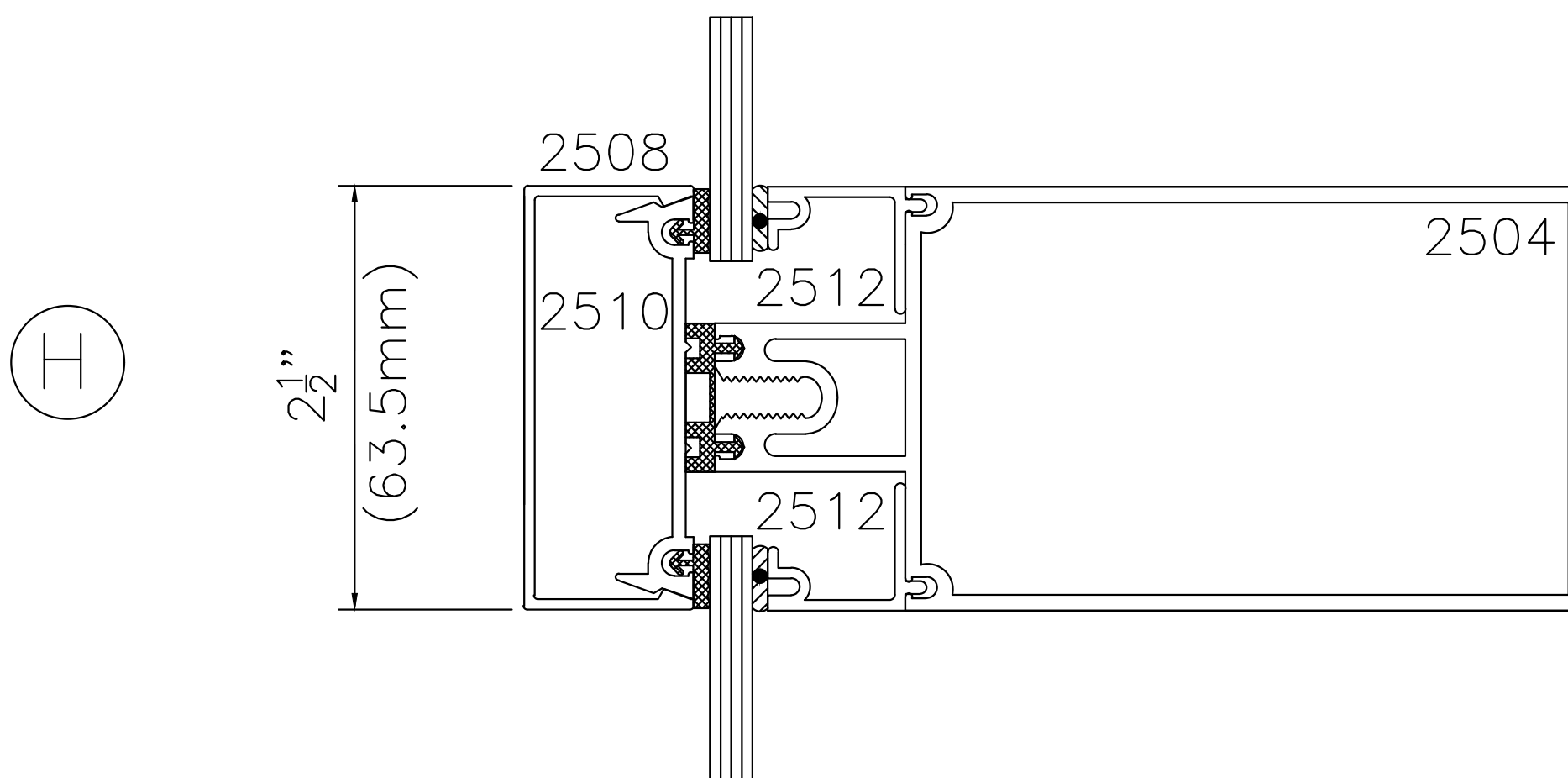
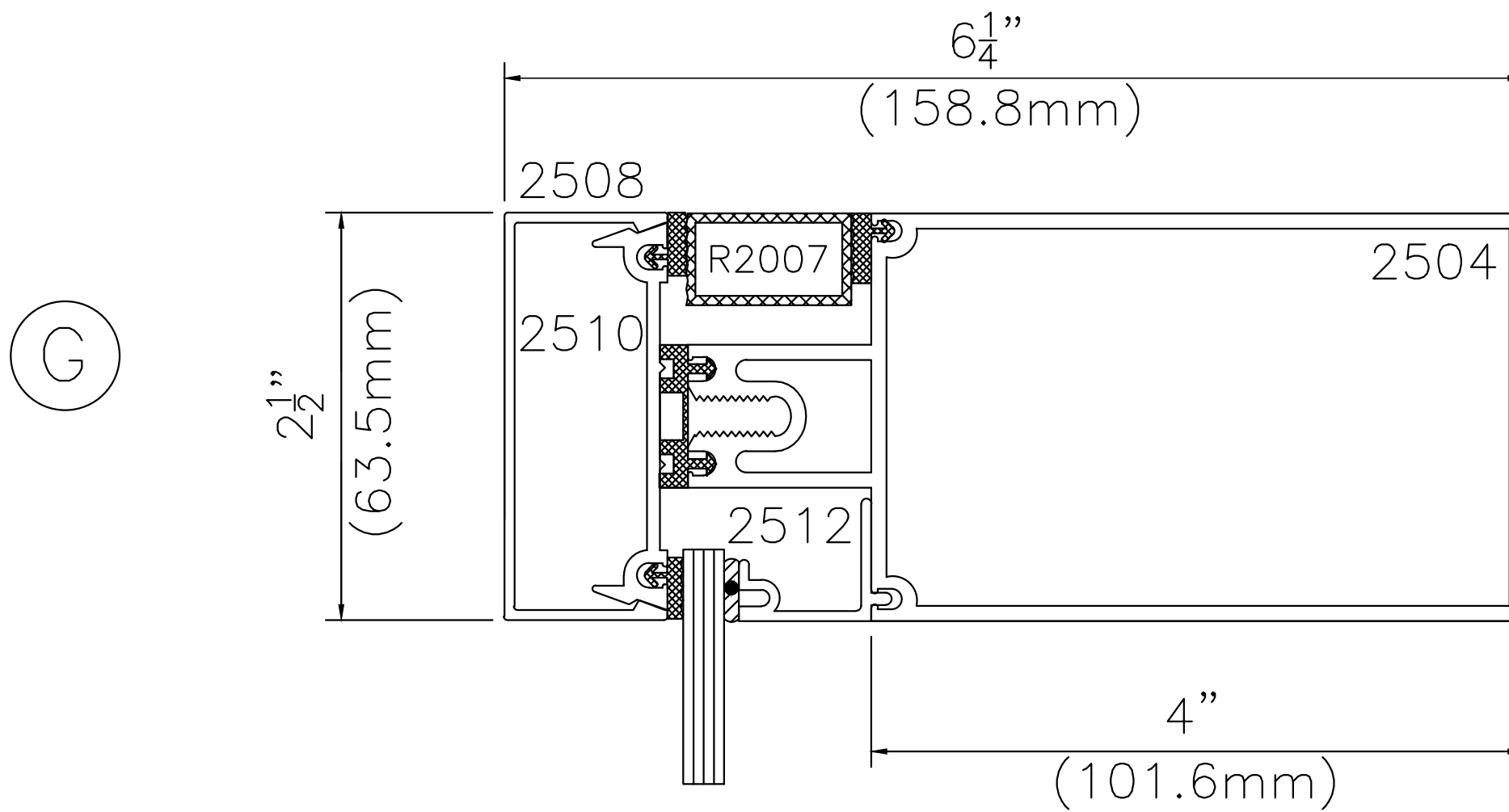
**COMMERCIAL DESIGN
SYSTEMS INC.**

DATE: AUGUST 2014
 TEL: (905) 738-0188
 FAX: (905) 738-6132
 E-MAIL: CDS2009@BELLNET.CA

PAGE:

B9

2500 CURTAIN WALL WITH SINGLE GLAZING ADAPTOR



**COMMERCIAL DESIGN
SYSTEMS INC.**

DATE: AUGUST 2014
 TEL: (905) 738-0188
 FAX: (905) 738-6132
 E-MAIL: CDS2009@BELLNET.CA

PAGE:

B10

OPERABLE WINDOWS INDEX

SECTION A – 1250 SERIES OPERABLE WINDOWS

PAGE–A1	–	1250	SERIES	INFORMATION
PAGE–A2	–	1250	SERIES	HARDWARE
PAGE–A3	–	1250	SERIES	DIMENSIONS
PAGE–A4	–	1250	SERIES	VENT
PAGE–A5	–	1250	SERIES	CASEMENT
PAGE–A6	–	1250	SERIES	IN 2000 CURTAIN WALL
PAGE–A7	–	1250	SERIES	IN 2500 CURTAIN WALL

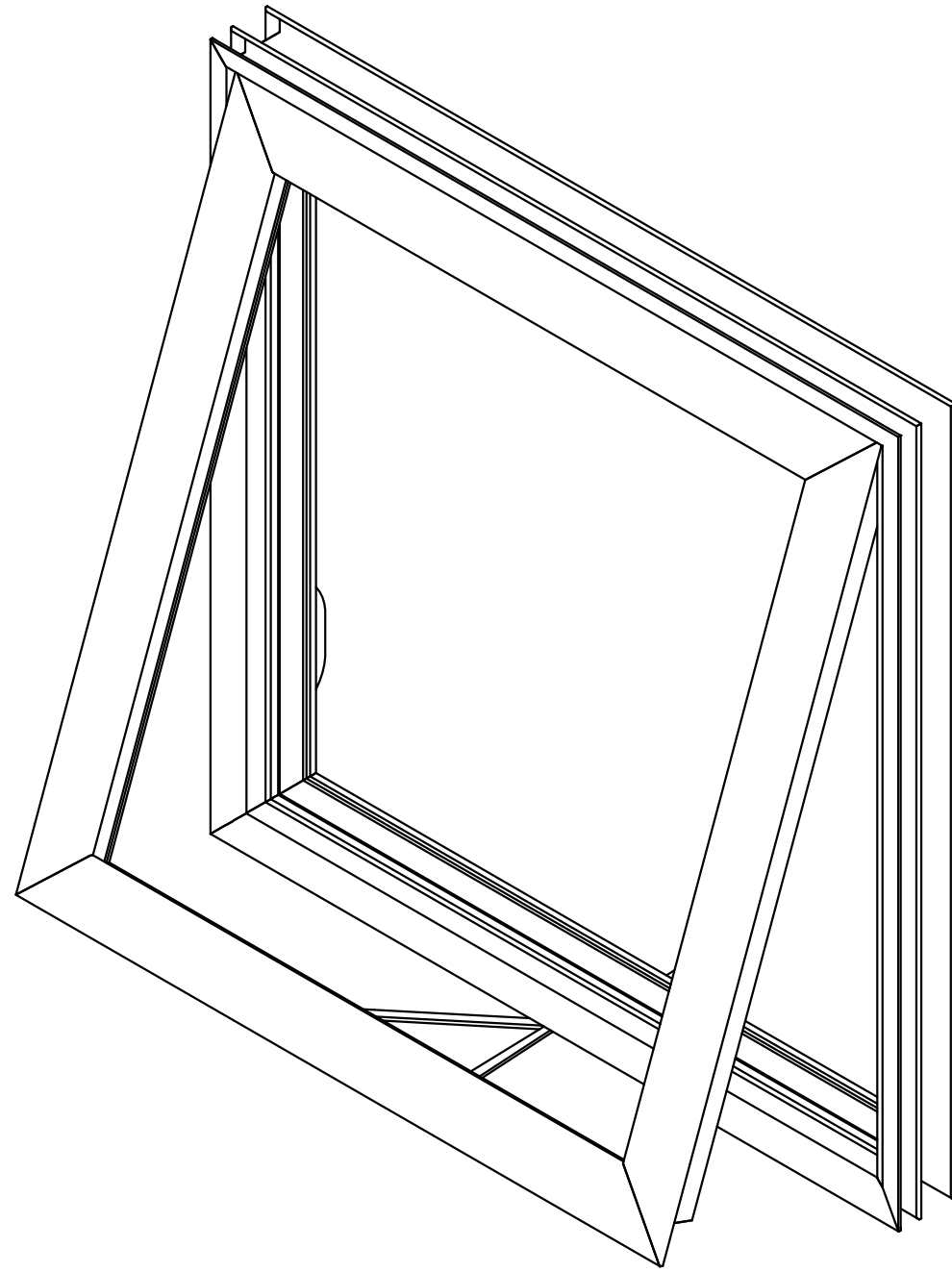


**COMMERCIAL DESIGN
SYSTEMS INC.**

DATE: AUGUST 2014
TEL: (905) 738-0188
FAX: (905) 738-6132
E-MAIL: CDS2009@BELLNET.CA

PAGE:

1250 SERIES OPERABLE WINDOWS INFORMATION



DESCRIPTION:

THE 1250 SERIES IS A THERMALLY BROKEN OPERABLE WINDOW SYSTEM. THIS SERIES CAN BE AVAILABLE IN BOTH PROJECTED VENTS AND CASEMENTS

FINISH:

STOCKED:

CLEAR ANODIZED (#17)

STANDARD BRONZE (#40)

NON-STOCKED*:

CLEAR ANODIZED (#14)

LIGHT BRONZE (#26)

BLACK ANODIZED (#29)

*PAINT FINISHES ARE AVAILABLE UPON REQUEST

FRAMING SYSTEM:

THE 1250 SERIES OPERABLE WINDOWS WORK IN ALL COMMERCIAL DESIGN SYSTEM'S CURTAIN WALL SERIES

STOCK LENGTH:

IT IS A FABRICATED PRODUCT ONLY

GLAZING:

1250 SERIES ACCEPTS 1"(25.4mm) SEALED UNIT GLASS



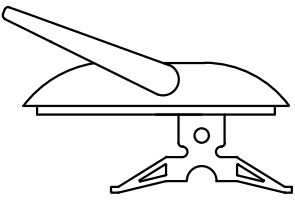
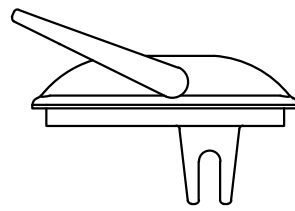
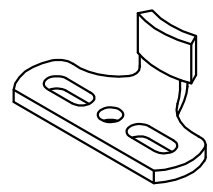
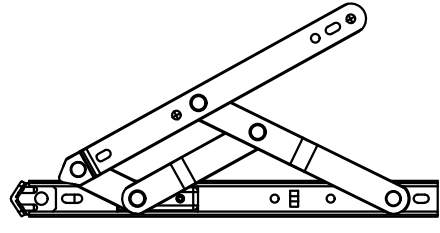
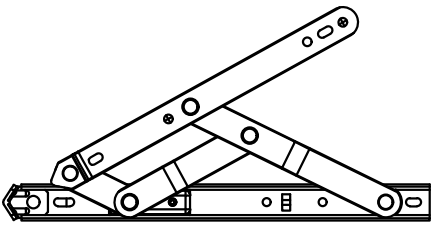
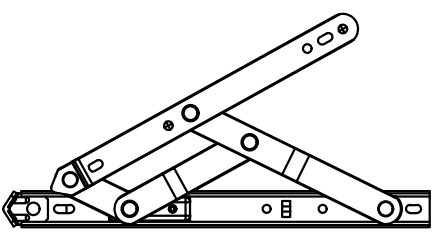
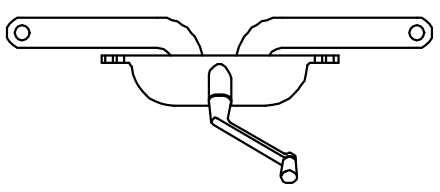
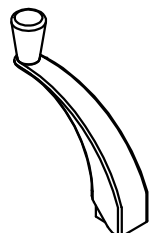
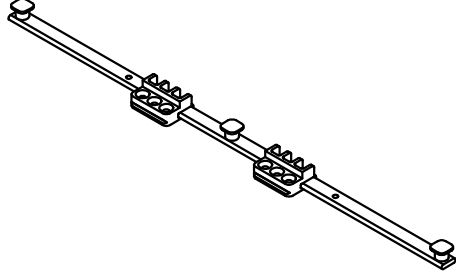
**COMMERCIAL DESIGN
SYSTEMS INC.**

DATE: AUGUST 2014
TEL: (905) 738-0188
FAX: (905) 738-6132
E-MAIL: CDS2009@BELLNET.CA

PAGE:

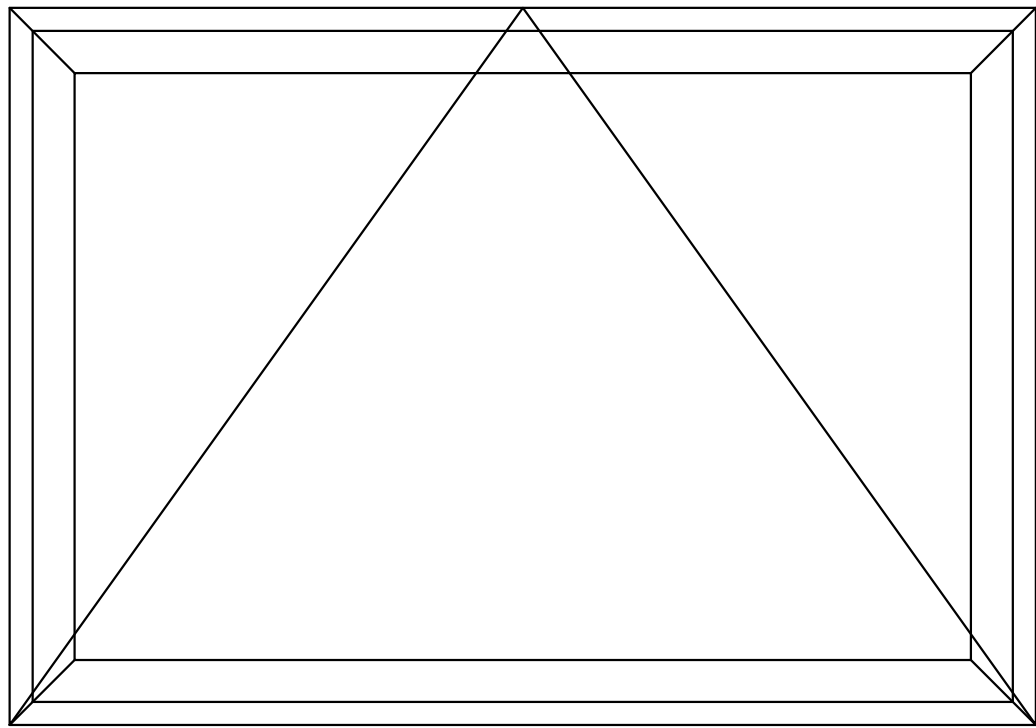
A1

1250 SERIES VENTS AND CASEMENTS

PART	PART NO	DESCRIPTION	FINISH
	H52503	SINGLE POINT LOCK HANDLES	MILL FINISH CLEAR ANNODIZED STANDARD BRONZE
	H52505	MULTI POINT LOCK HANDLES	MILL FINISH CLEAR ANNODIZED STANDARD BRONZE
	H52507	SINGLE POINT LOCK KEEPERS	MILL FINISH CLEAR ANNODIZED STANDARD BRONZE
	H52510	FOUR BARS FRICTION HINGES 10" PAIR	MILL FINISH
	H52512	FOUR BARS FRICTION HINGES 12" PAIR	MILL FINISH
	H52516	FOUR BARS FRICTION HINGES 16" PAIR	MILL FINISH
	H52525	VENT SCISSOR OPERATOR	MILL FINISH CLEAR ANNODIZED STANDARD BRONZE
	H52529	OPERATOR HANDLE	MILL FINISH CLEAR ANNODIZED STANDARD BRONZE
	H52530	MULTI POINT LOCKING TIE BAR	MILL FINISH

1250 SERIES
VENTS AND CASEMENTS

VENTS
PROJECT OUT



VENT SIZE:

MINIMUM WIDTH: 17 $\frac{3}{4}$ "

MAXIMUM WIDTH: 60"

MINIMUM HEIGHT: 17 $\frac{3}{4}$ "

MAXIMUM HEIGHT: 42"

STANDARD VENT HARDWARE:

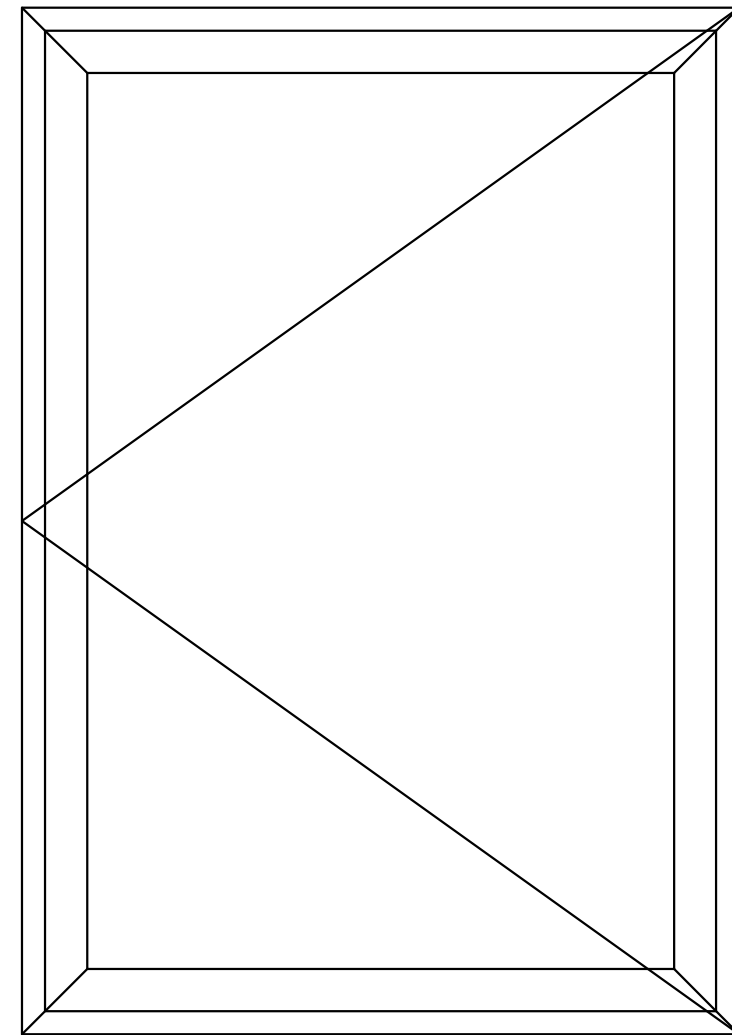
2 SINGLE POINT LOCK HANDLES

ROTO OPERATOR

INTERIOR GLAZING SPLINE

GLASS STOPS FOR 1" GLASS

CASEMENTS
PROJECT OUT



CASEMENT SIZE:

MINIMUM WIDTH: 17 $\frac{3}{4}$ "

MAXIMUM WIDTH: 34"

MINIMUM HEIGHT: 17 $\frac{3}{4}$ "

MAXIMUM HEIGHT: 66"

STANDARD CASEMENT HARDWARE:

1 MULTI POINT LOCK HANDLE

ROTO OPERATOR

INTERIOR GLAZING SPLINE

GLASS STOPS FOR 1" GLASS



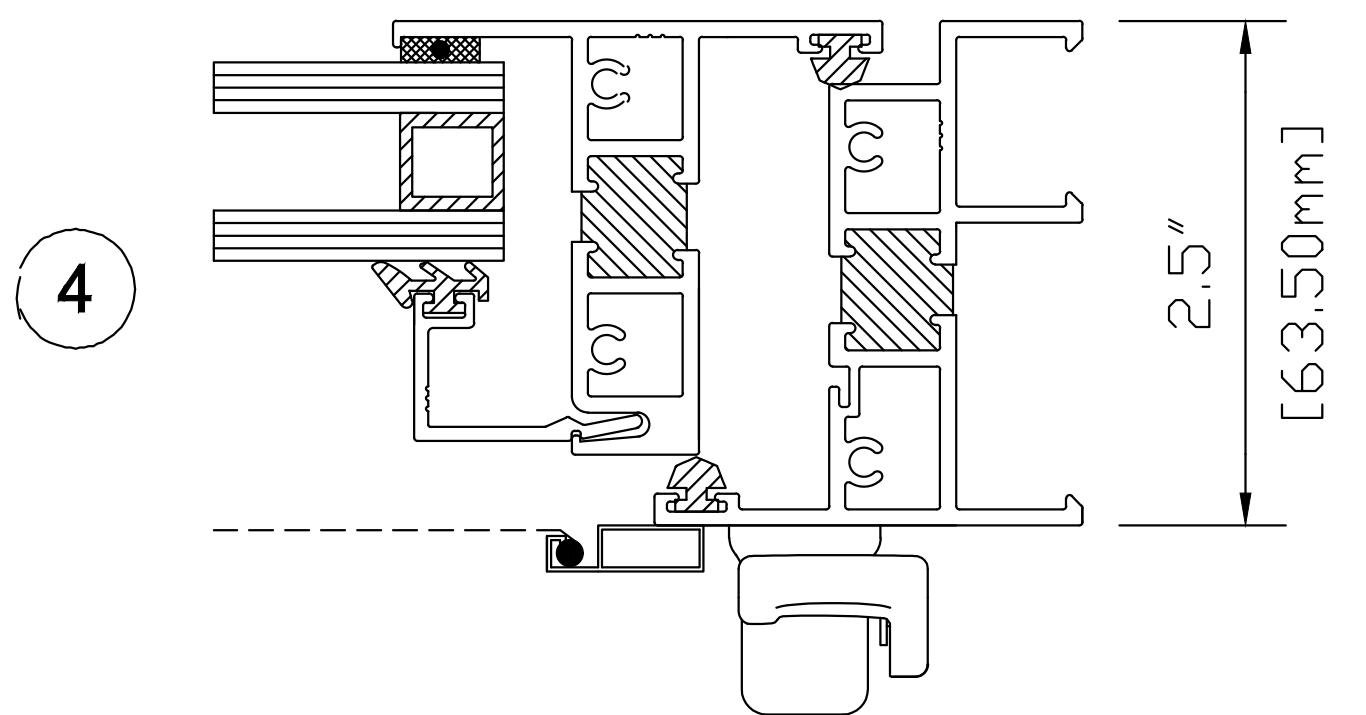
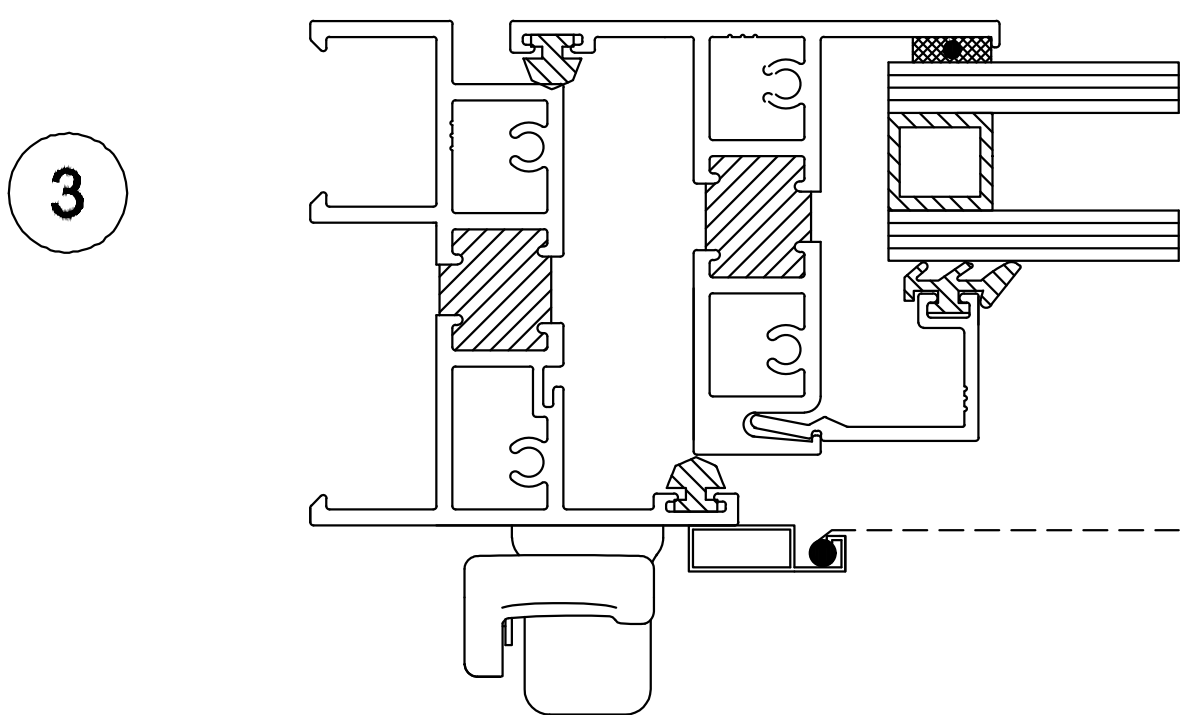
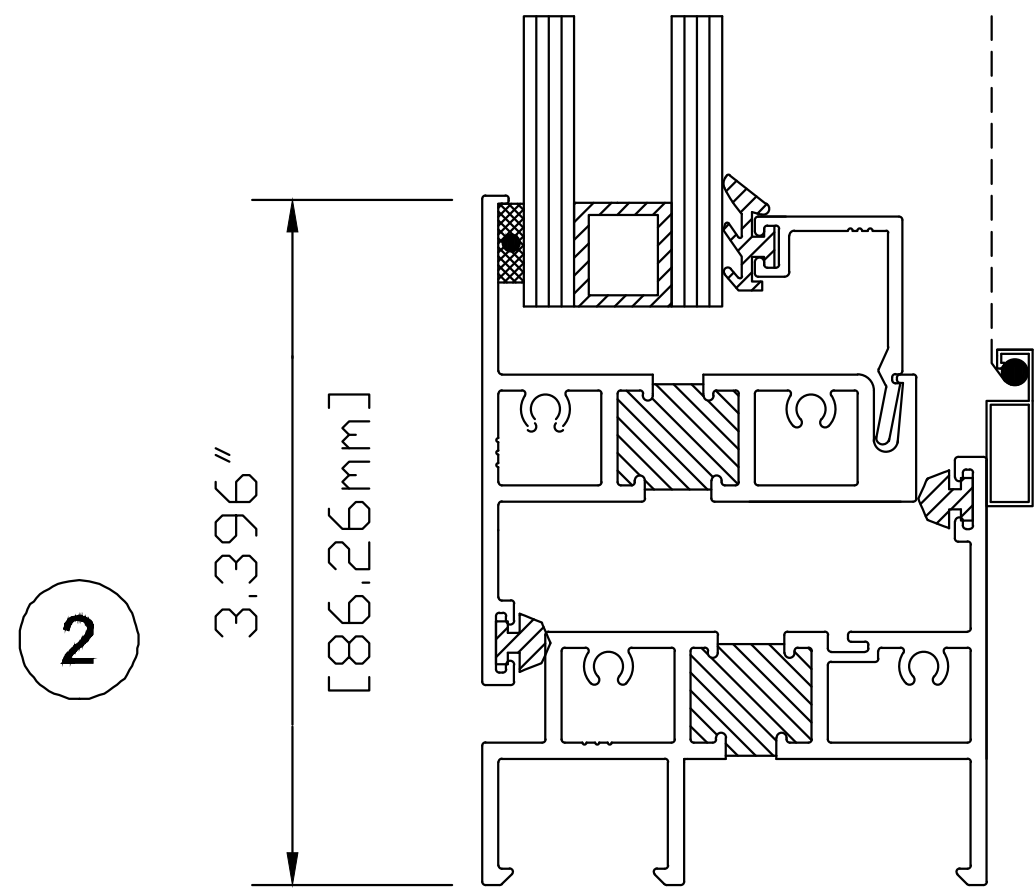
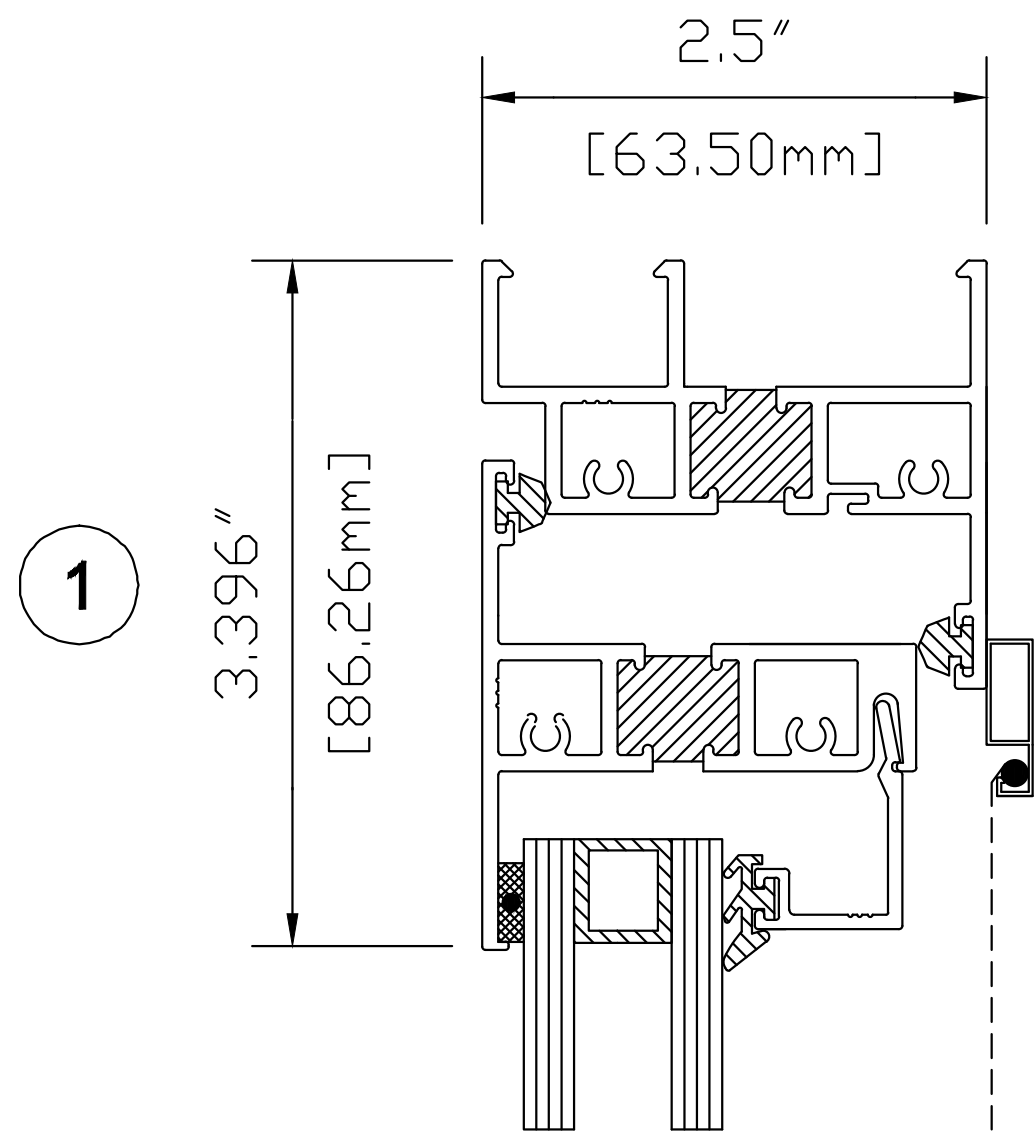
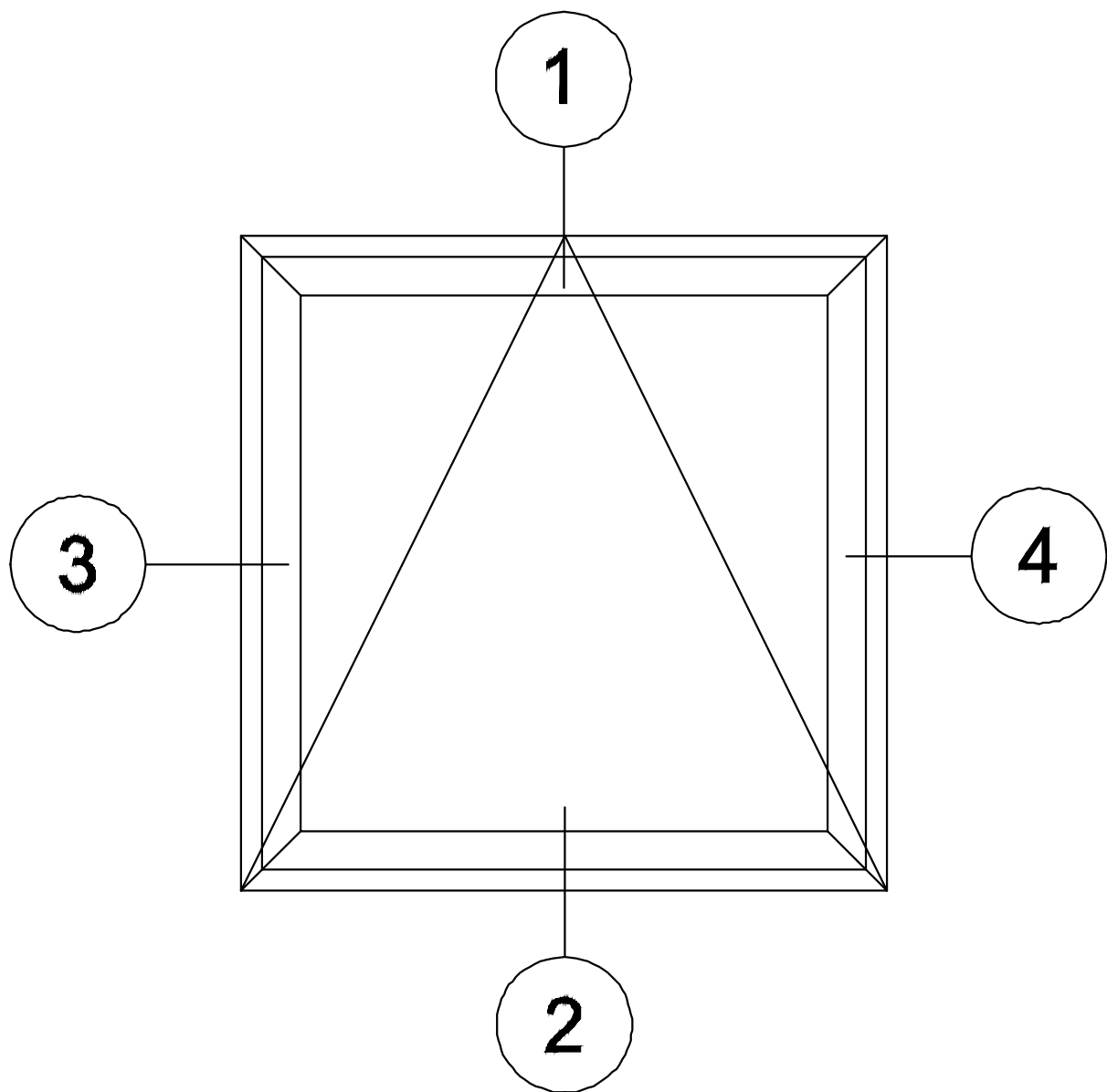
**COMMERCIAL DESIGN
SYSTEMS INC.**

DATE: AUGUST 2014
TEL: (905) 738-0188
FAX: (905) 738-6132
E-MAIL: CDS2009@BELLNET.CA

PAGE:

A3

1250 SERIES VENT PROJECT OUT



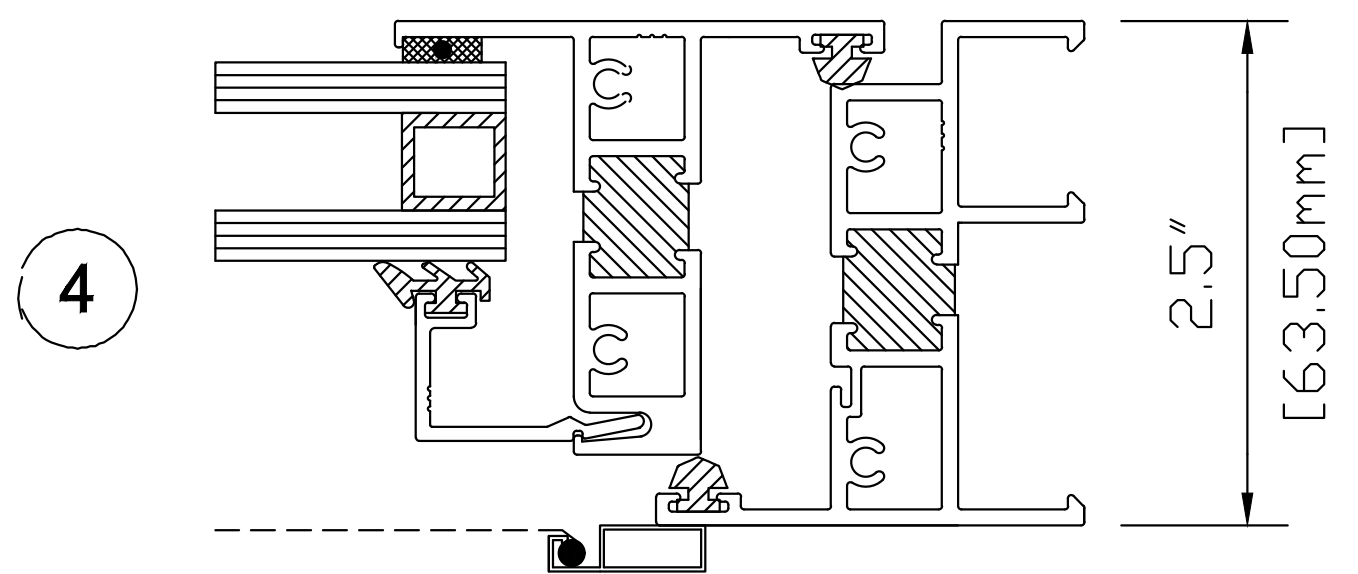
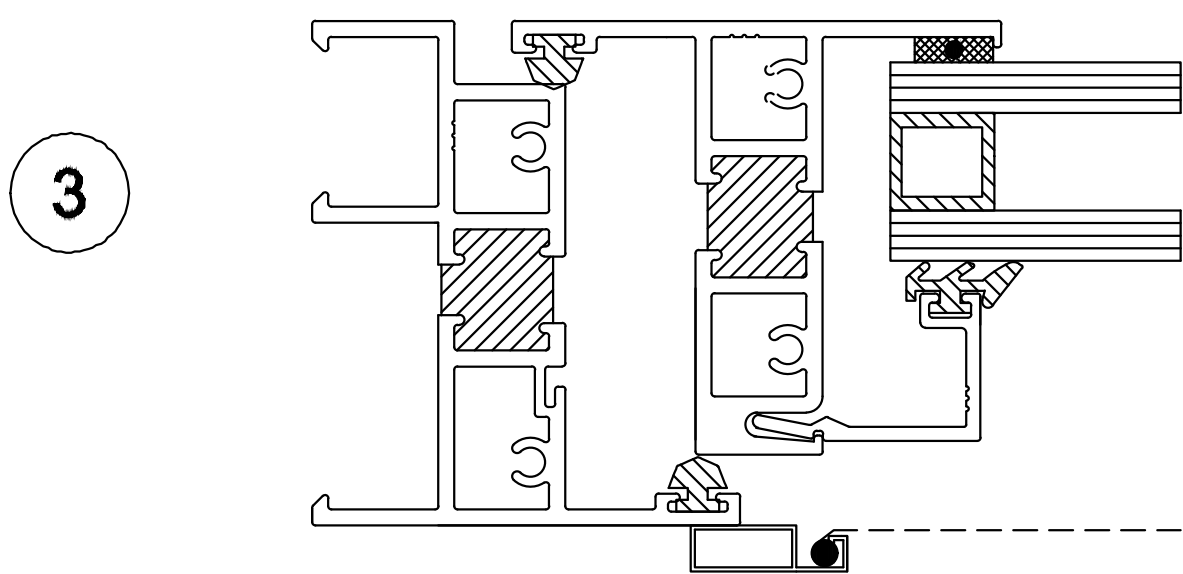
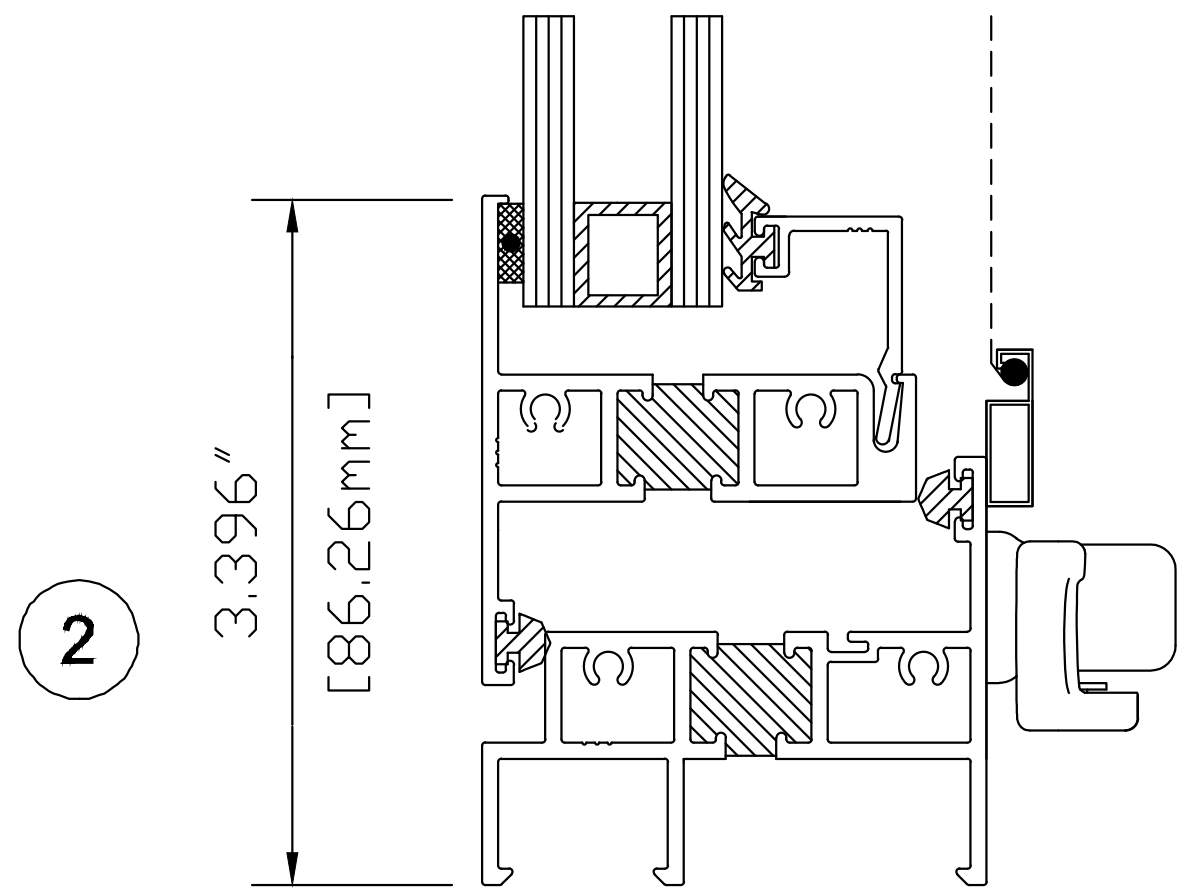
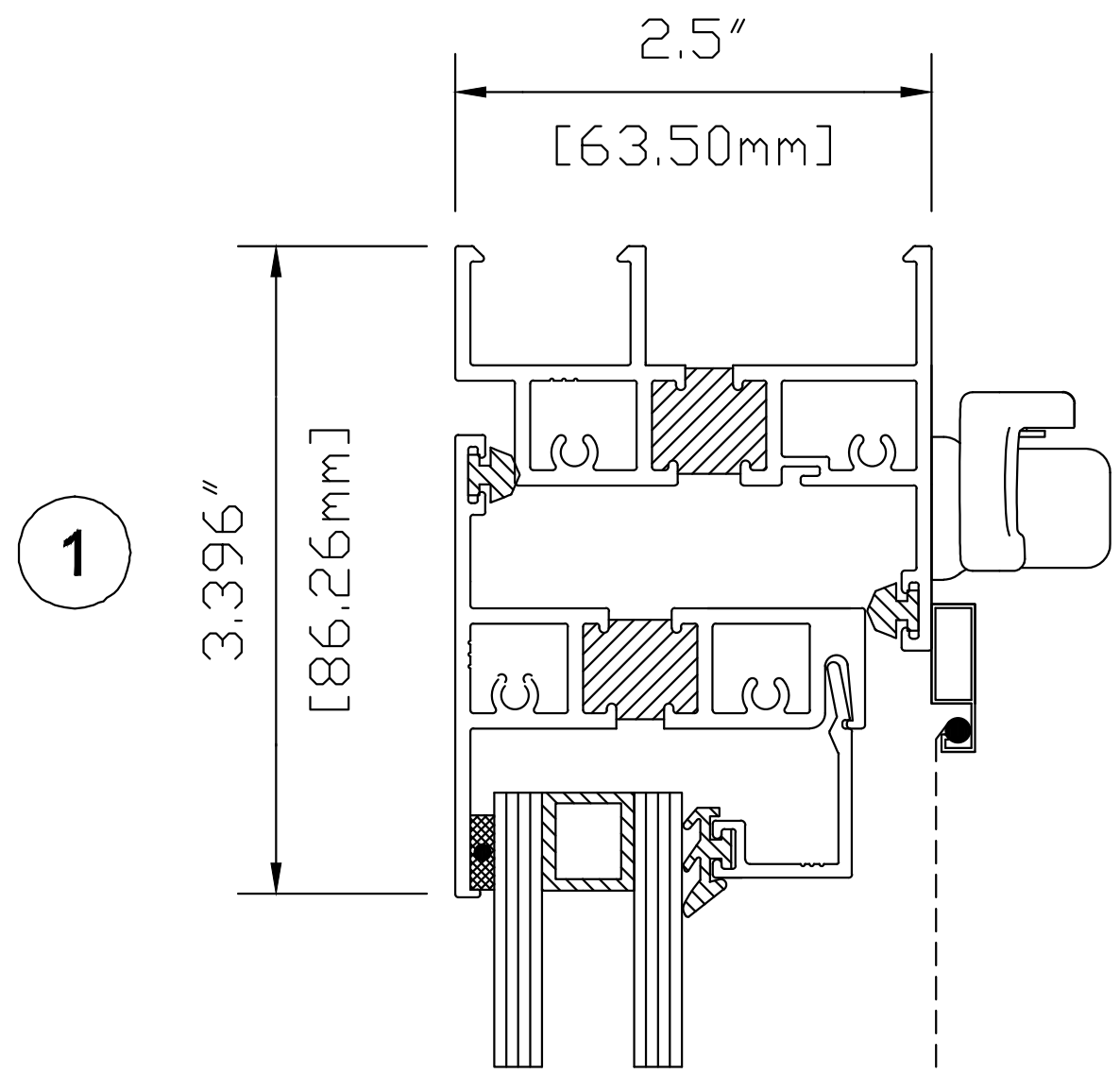
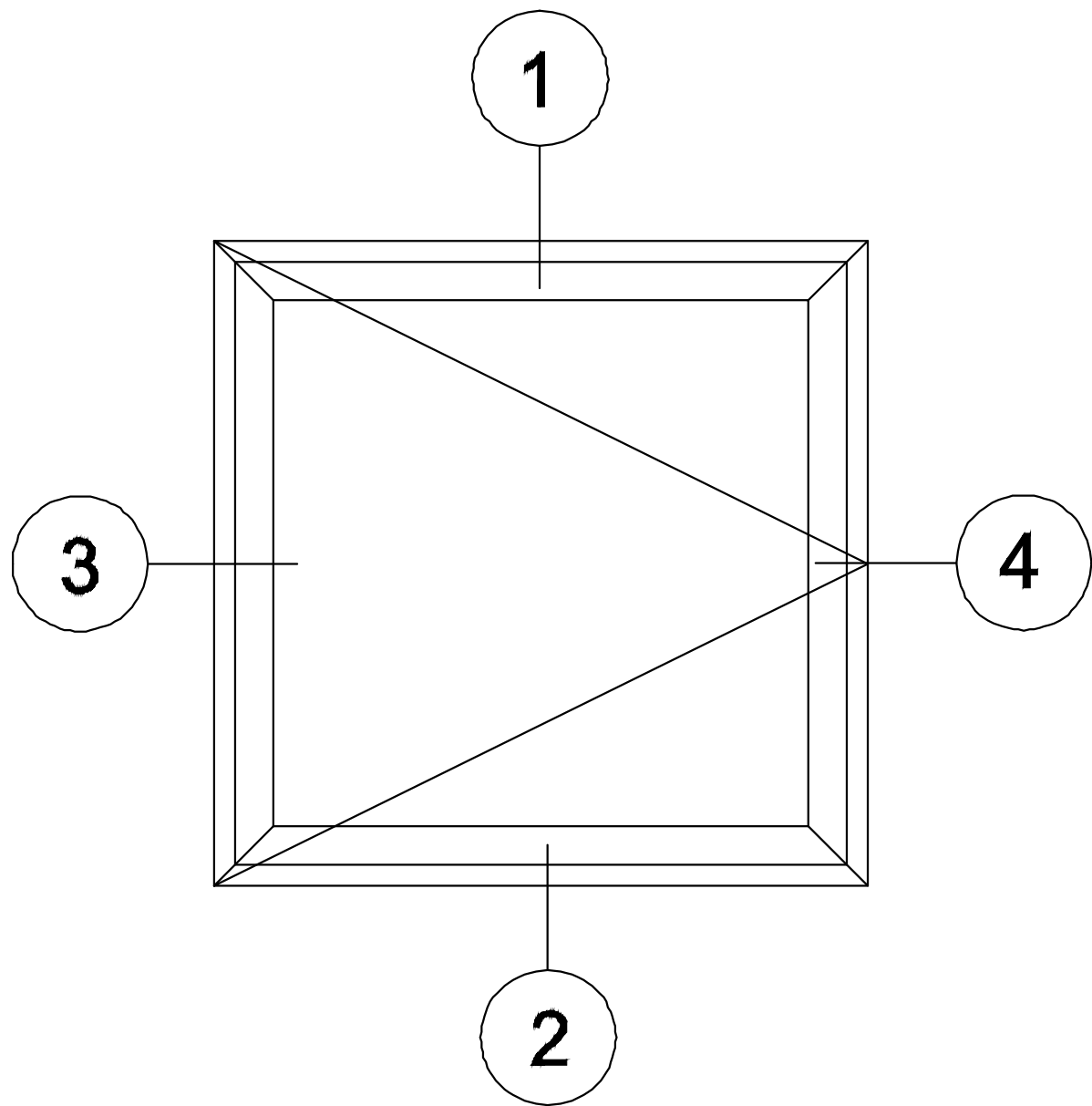
**COMMERCIAL DESIGN
SYSTEMS INC.**

DATE: AUGUST 2014
TEL: (905) 738-0188
FAX: (905) 738-6132
E-MAIL: CDS2009@BELLNET.CA

PAGE:

A4

1250 SERIES CASEMENT PROJECT OUT



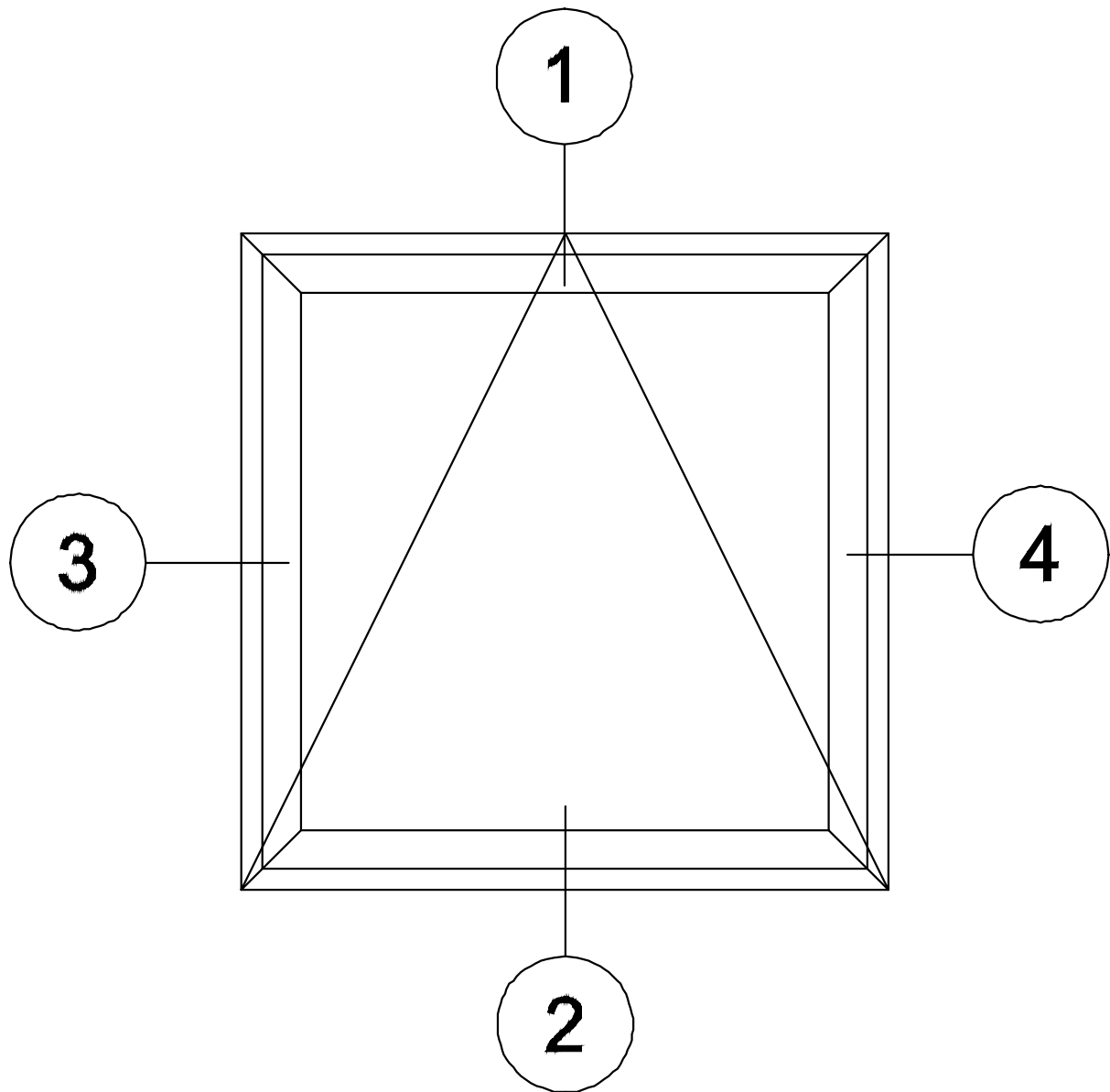
**COMMERCIAL DESIGN
SYSTEMS INC.**

DATE: AUGUST 2014
 TEL: (905) 738-0188
 FAX: (905) 738-6132
 E-MAIL: CDS2009@BELLNET.CA

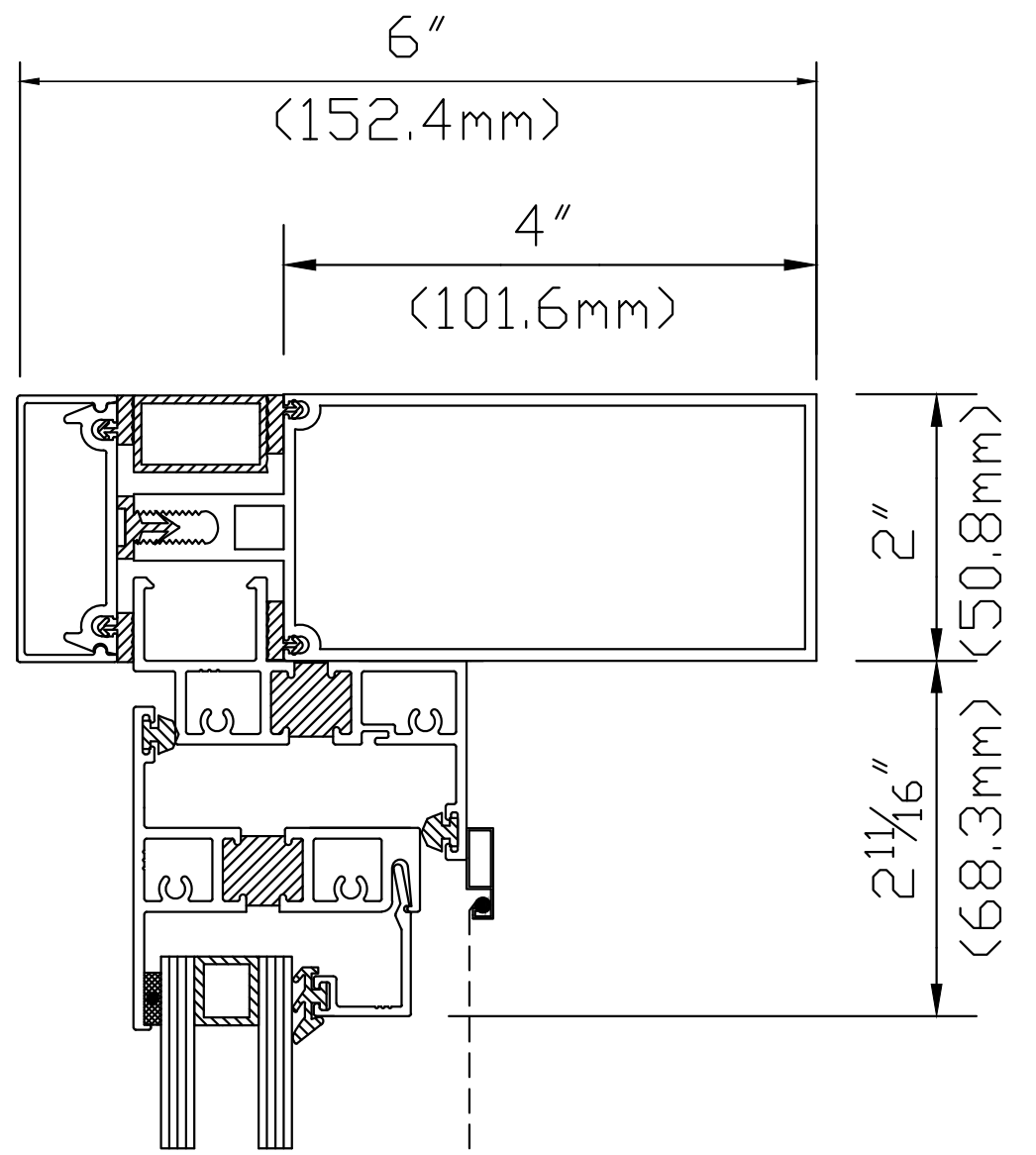
PAGE:

A5

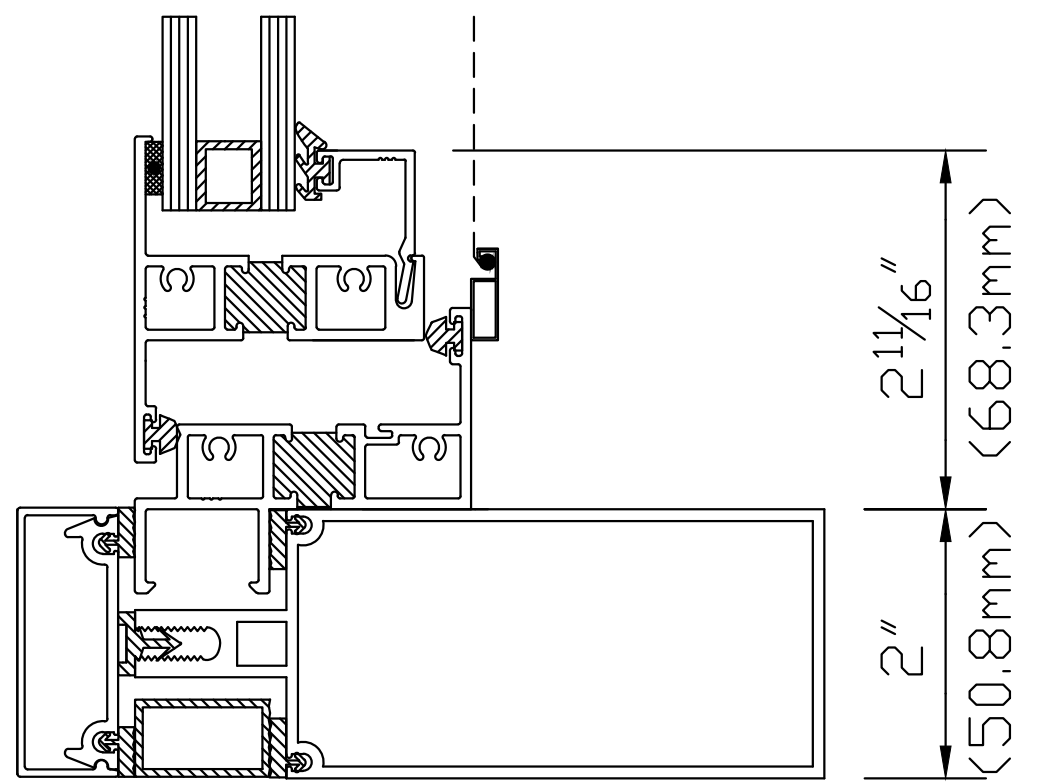
1250 SERIES VENT IN 2000 CURTAIN WALL SYSTEM



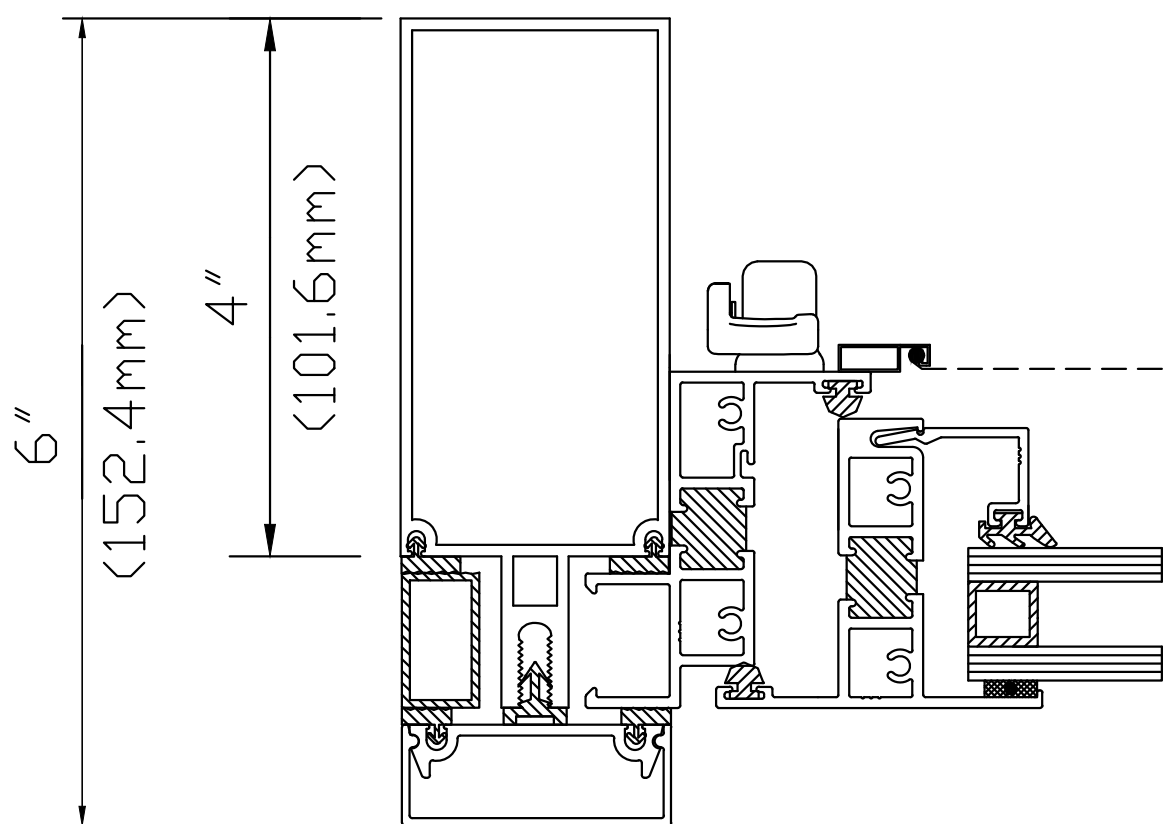
1



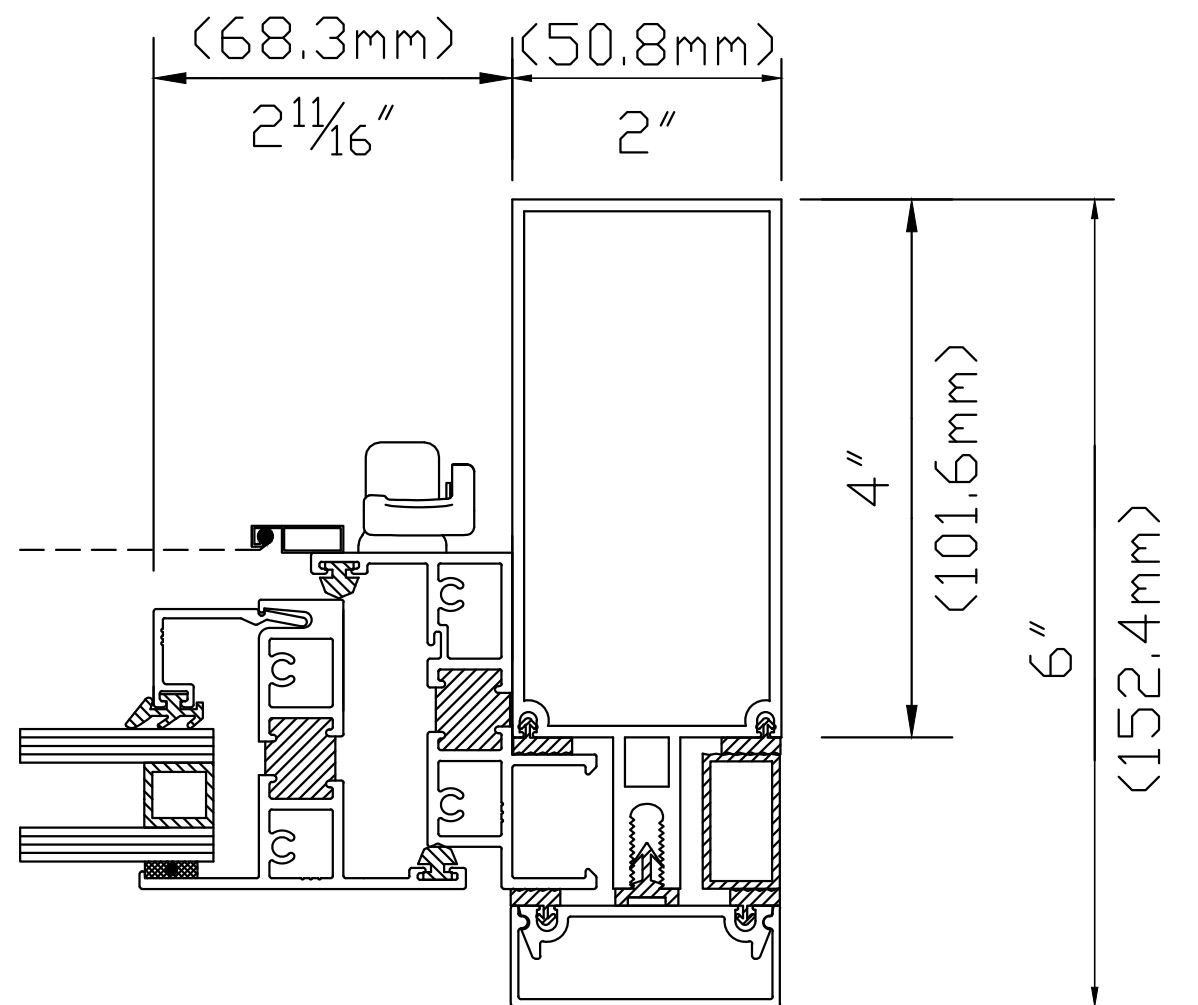
2



3



4



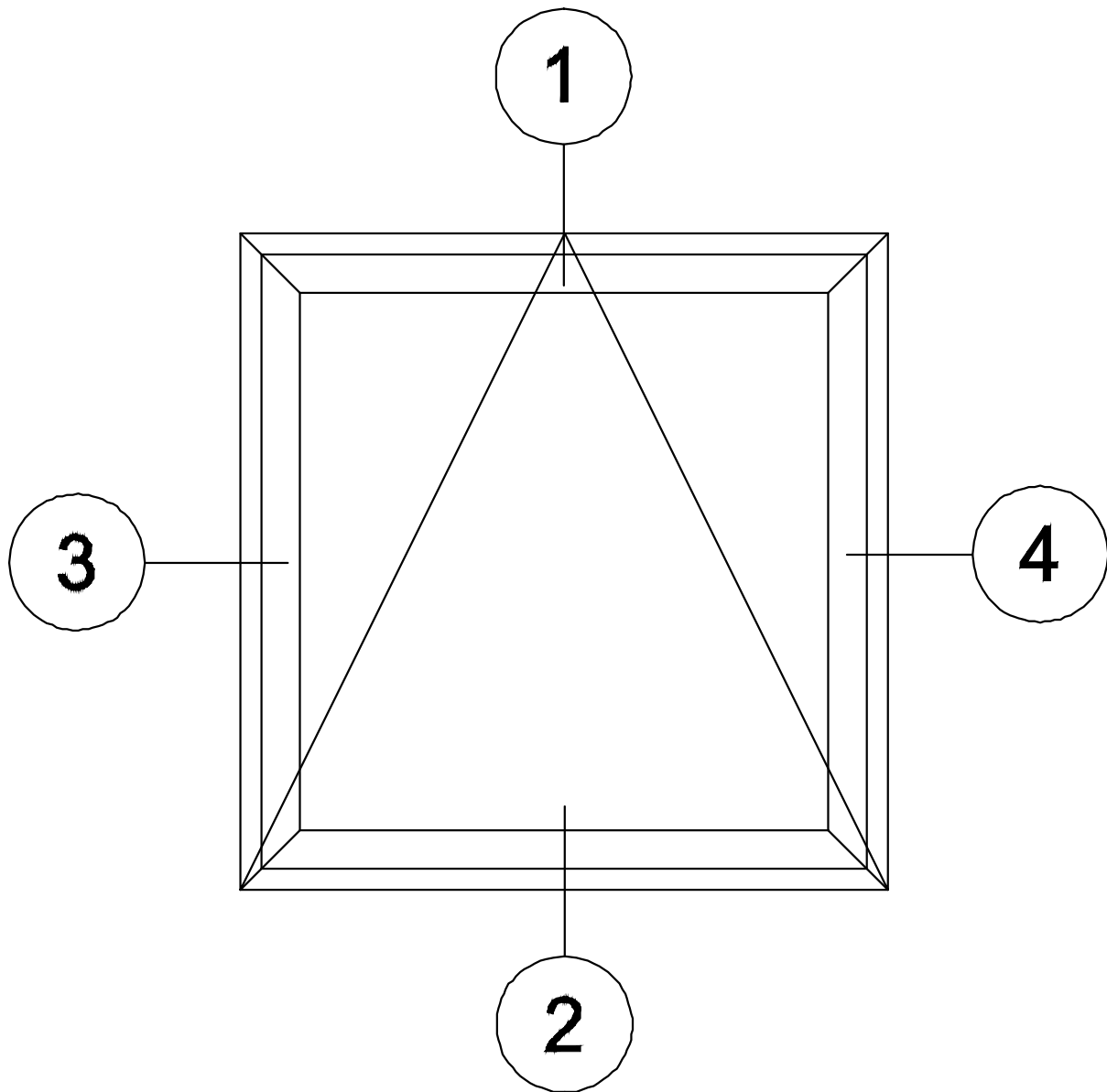
**COMMERCIAL DESIGN
SYSTEMS INC.**

DATE: AUGUST 2014
 TEL: (905) 738-0188
 FAX: (905) 738-6132
 E-MAIL: CDS2009@BELLNET.CA

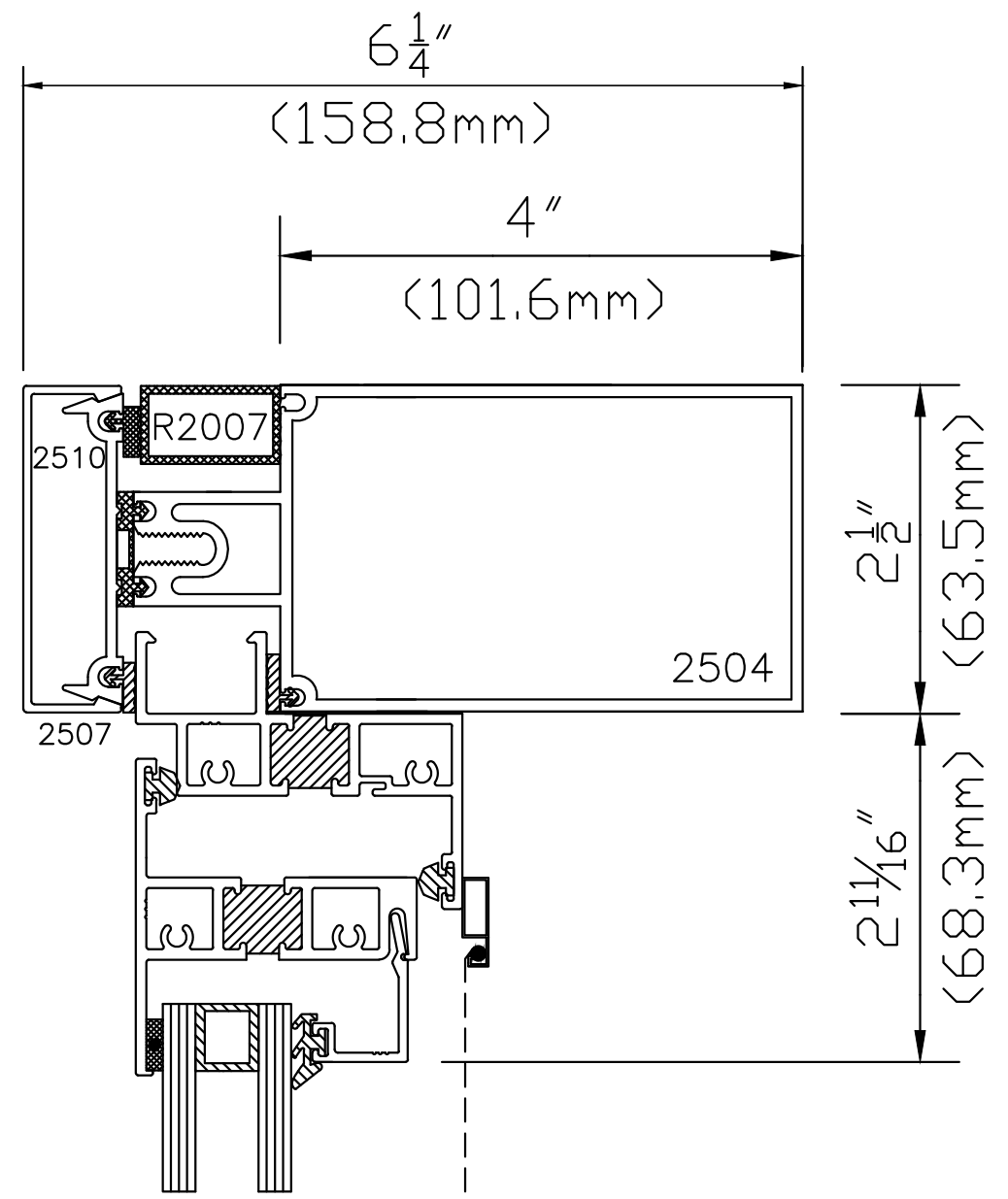
PAGE:

A6

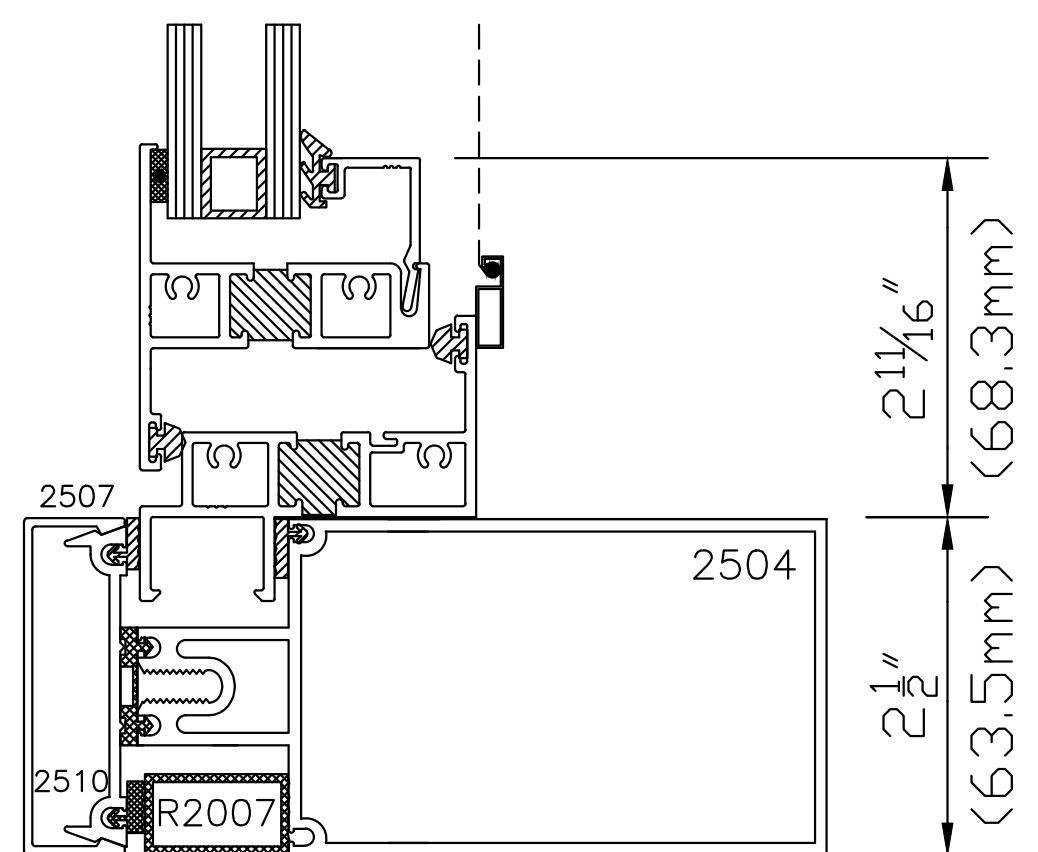
1250 SERIES VENT IN 2500 CURTAIN WALL SYSTEM



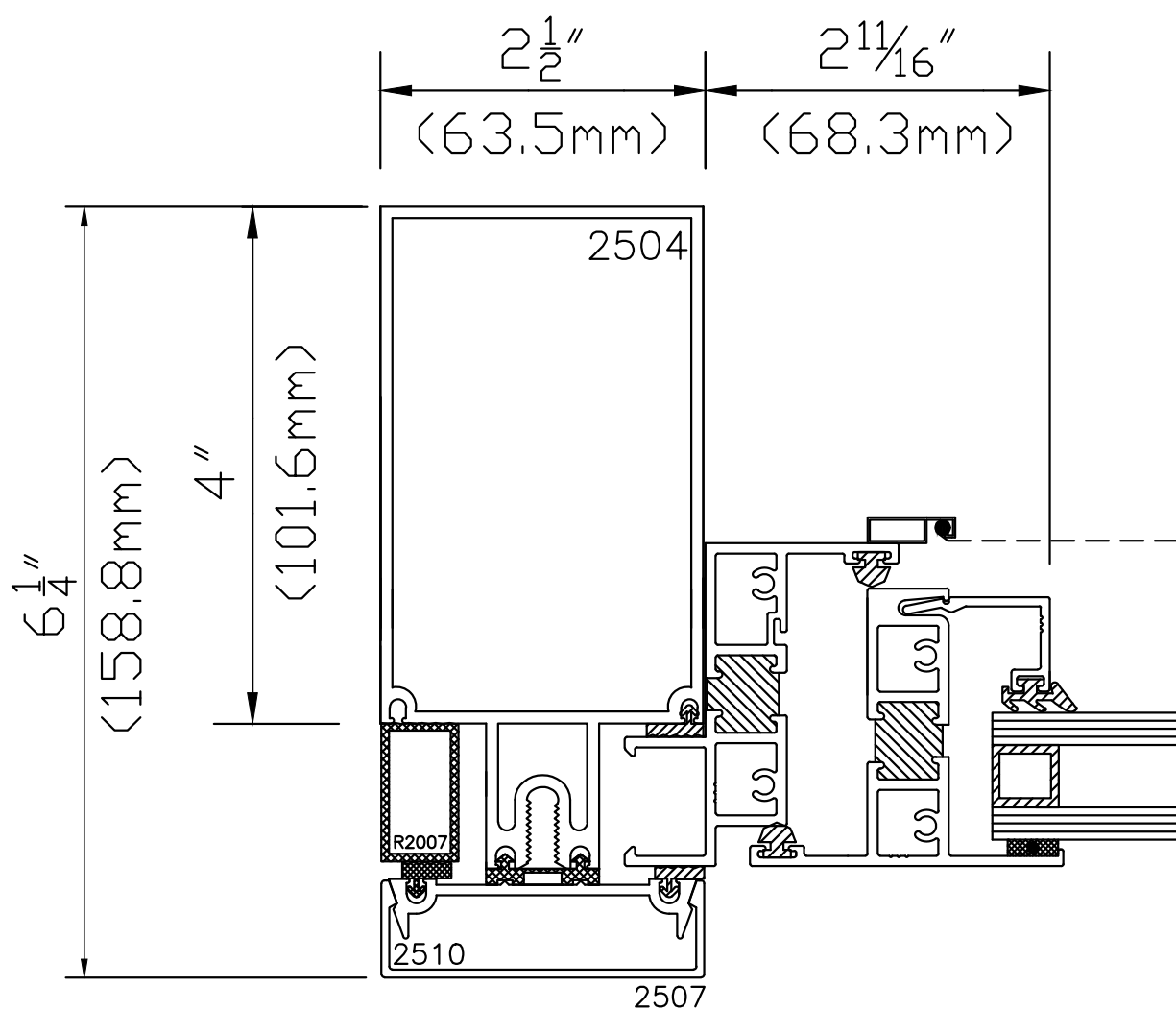
1



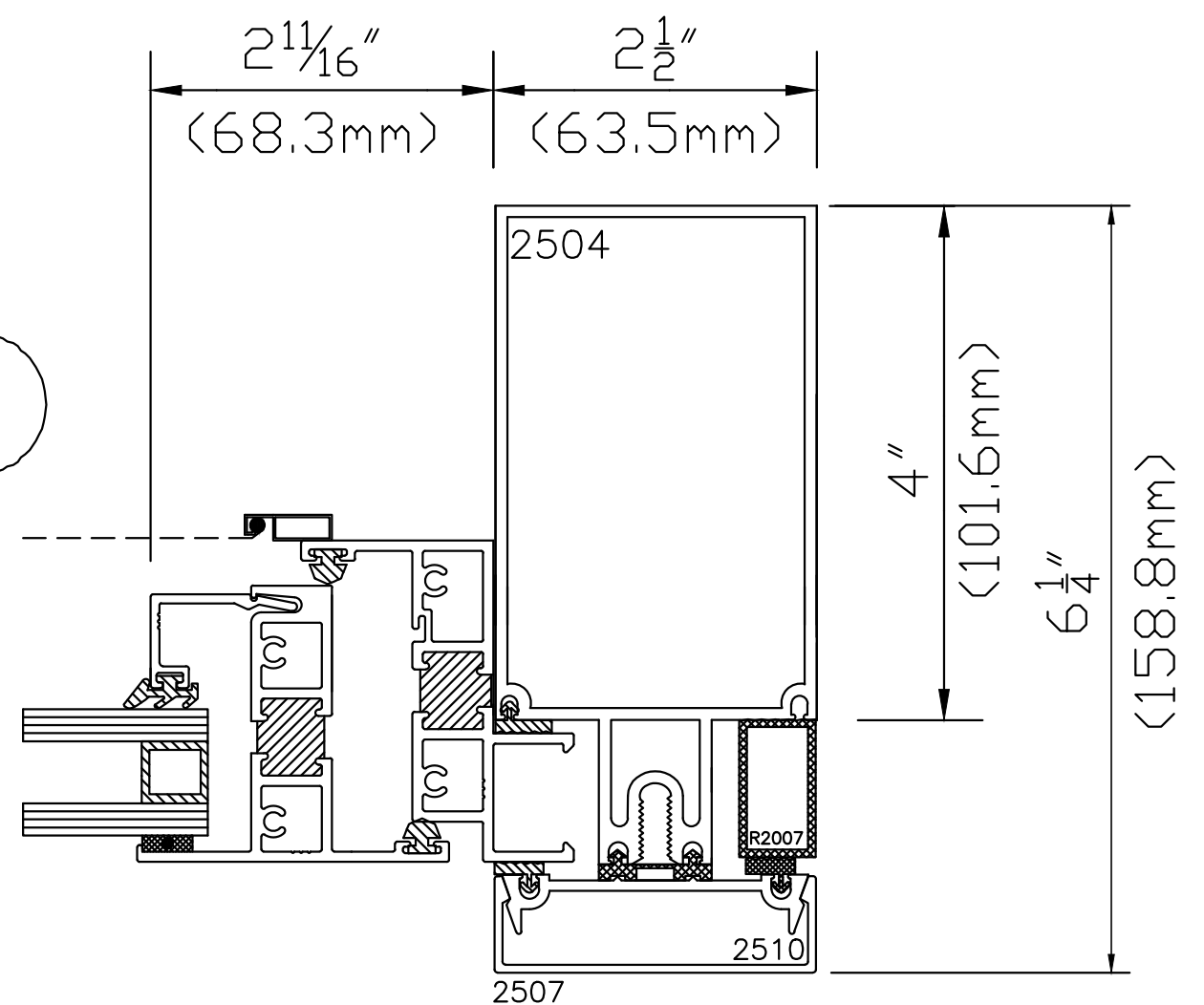
2



3



4



**COMMERCIAL DESIGN
SYSTEMS INC.**

DATE: AUGUST 2014
 TEL: (905) 738-0188
 FAX: (905) 738-6132
 E-MAIL: CDS2009@BELLNET.CA

PAGE:

A7